



US00D886380S

(12) **United States Design Patent** (10) **Patent No.:** **US D886,380 S**  
**Washington et al.** (45) **Date of Patent:** **\*\* Jun. 2, 2020**

- (54) **RAZOR CARTRIDGE**
- (71) Applicant: **The Gillette Company LLC**, Boston, MA (US)
- (72) Inventors: **Jack Anthony Washington**, Mendon, MA (US); **Matthew Michael Long**, Methuen, MA (US)
- (73) Assignee: **The Gillette Company LLC**, Boston, MA (US)
- (\*\*) Term: **15 Years**
- (21) Appl. No.: **29/662,376**
- (22) Filed: **Sep. 5, 2018**
- (51) **LOC (12) Cl.** ..... **28-03**
- (52) **U.S. Cl.**  
USPC ..... **D28/47**
- (58) **Field of Classification Search**  
USPC ..... D28/45-48  
CPC . B26B 21/40; B26B 21/4006; B26B 21/4012; B26B 21/4018; B26B 21/4025; B26B 21/4031; B26B 21/4068; B26B 21/4075; B26B 21/4081; B26B 21/4087; B26B 21/442; B26B 21/54-60  
See application file for complete search history.

D630,797 S *	1/2011	Witkus .....	D28/47
D633,254 S *	2/2011	Witkus .....	D28/47
D658,809 S *	5/2012	Jessemey .....	D28/47
D665,948 S *	8/2012	Jessemey .....	D28/47
8,359,752 B2 *	1/2013	Bridges .....	B26B 21/4037 30/50
9,221,185 B2 *	12/2015	Walker, Jr. ....	B26B 21/4031
D839,477 S *	1/2019	Hodgson .....	D28/46
D843,058 S *	3/2019	Fyfield .....	D28/46
D869,767 S *	12/2019	Watson .....	D28/46
2012/0192431 A9 *	8/2012	Wain .....	B26B 21/4031 30/50
2015/0158191 A1 *	6/2015	Jeong .....	B26B 21/4018 30/41
2017/0008183 A1 *	1/2017	Bridges .....	B26B 21/14

\* cited by examiner

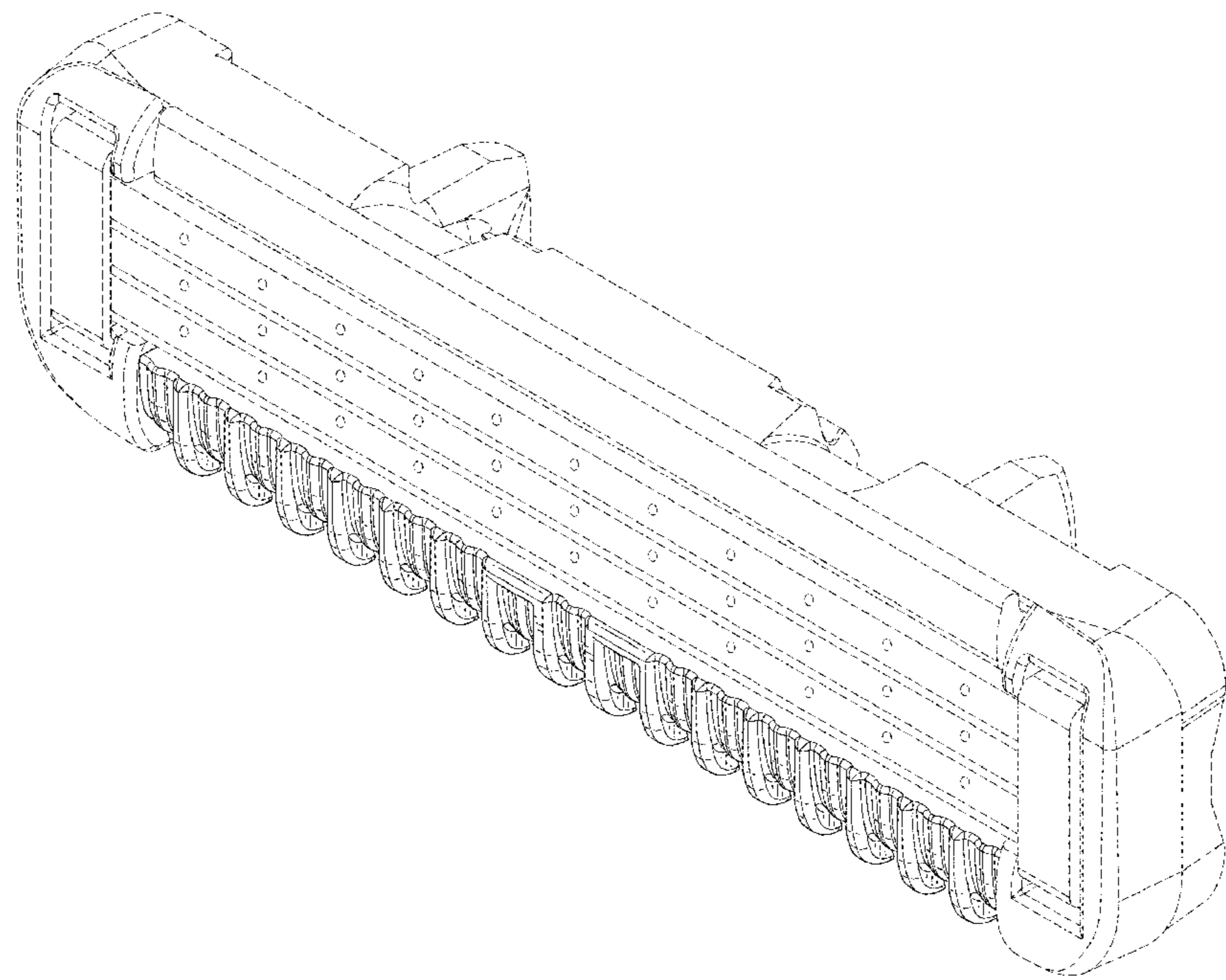
*Primary Examiner* — Jennifer Rivard  
(74) *Attorney, Agent, or Firm* — Joanne N. Pappas; Kevin C. Johnson

(57) **CLAIM**  
The ornamental design for a razor cartridge, as shown and described.

**DESCRIPTION**  
FIG. 1 is a top perspective view of a design of a razor cartridge of the present invention;  
FIG. 2 is a front view thereof;  
FIG. 3 is a back view thereof;  
FIG. 4 is a right side view thereof;  
FIG. 5 is a left side view thereof;  
FIG. 6 is a top view thereof;  
FIG. 7 is a bottom view thereof; and,  
FIG. 8 is a bottom perspective view thereof.  
The broken lines illustrate portions of the razor cartridge and form no part of the claimed design.

**1 Claim, 5 Drawing Sheets**

- (56) **References Cited**  
U.S. PATENT DOCUMENTS  
D216,658 S \* 2/1970 Edmondson ..... D28/46  
D601,753 S \* 10/2009 Cataudella ..... D28/47  
D602,634 S \* 10/2009 Cataudella ..... D28/46  
D608,501 S \* 1/2010 Wain ..... D28/47  
D616,147 S \* 5/2010 Adams ..... D28/46  
D630,377 S \* 1/2011 Wattam ..... D28/46



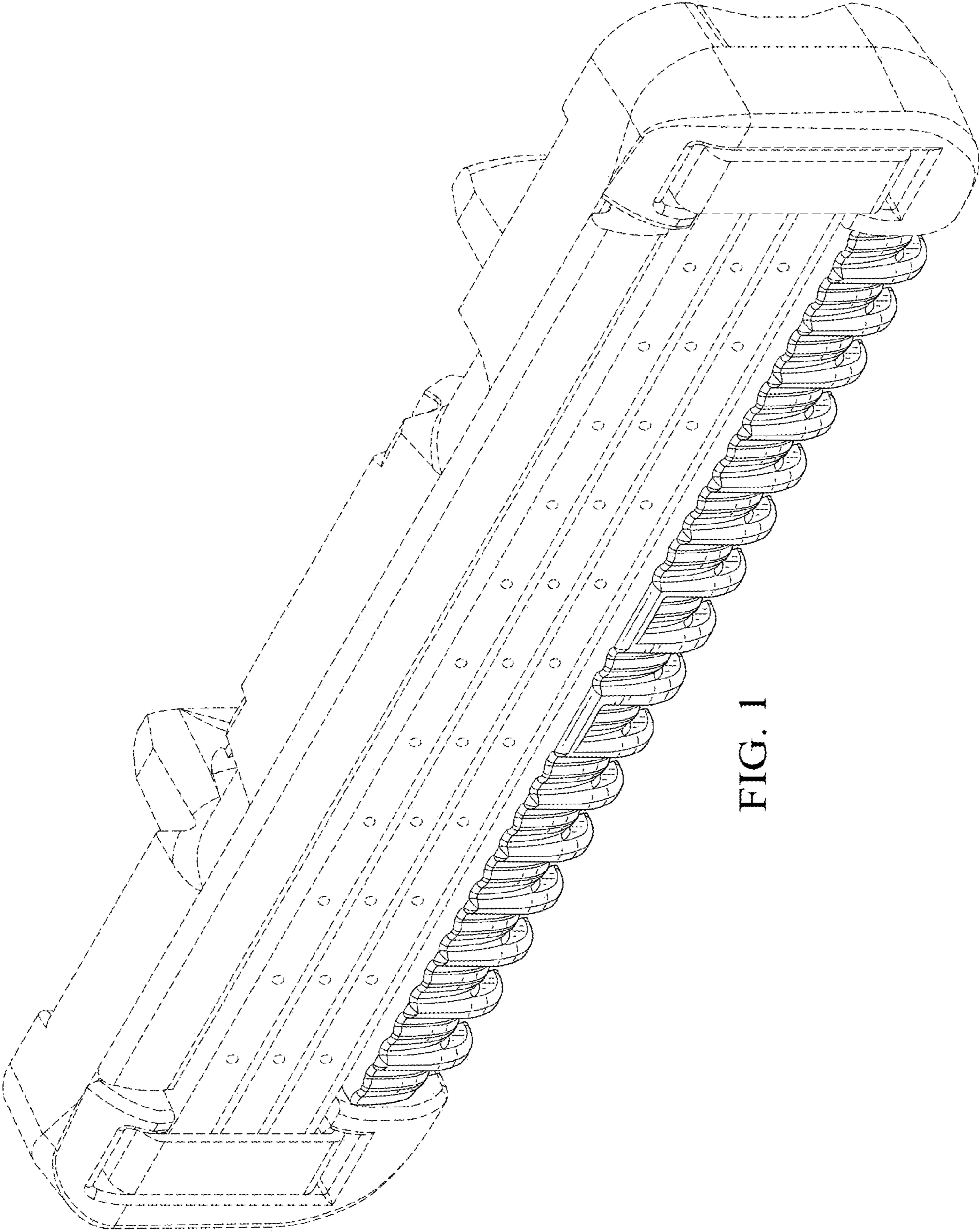


FIG. 1

FIG. 2

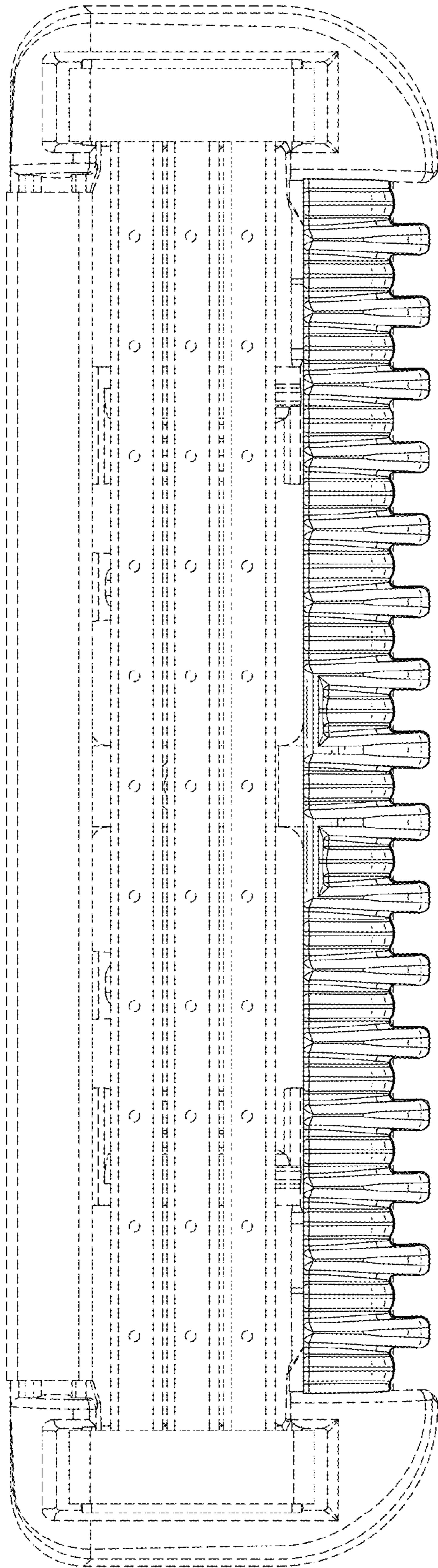
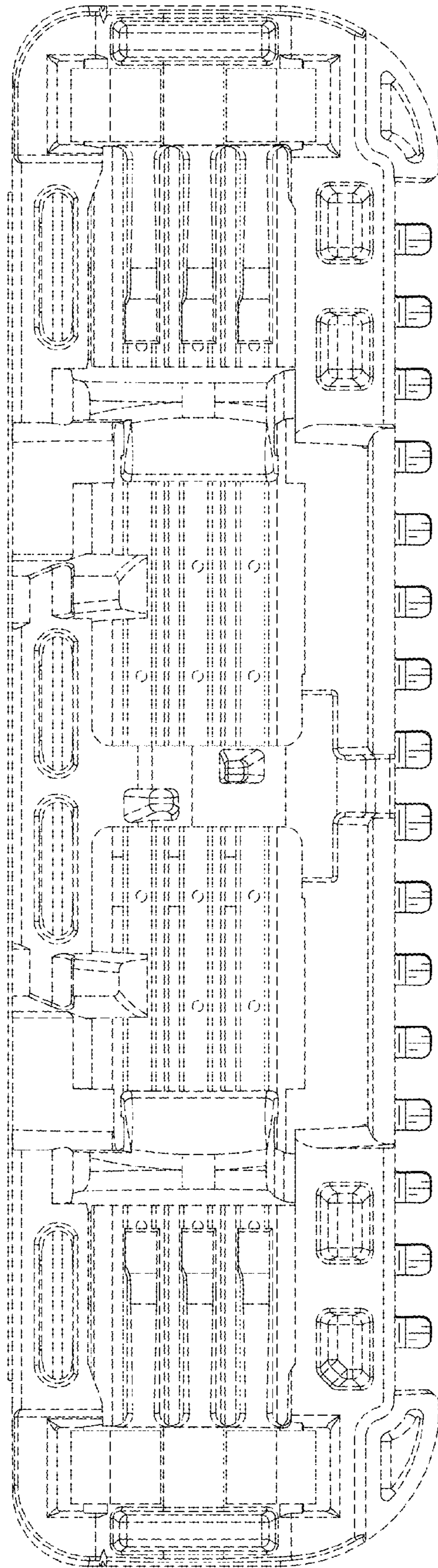


FIG. 3



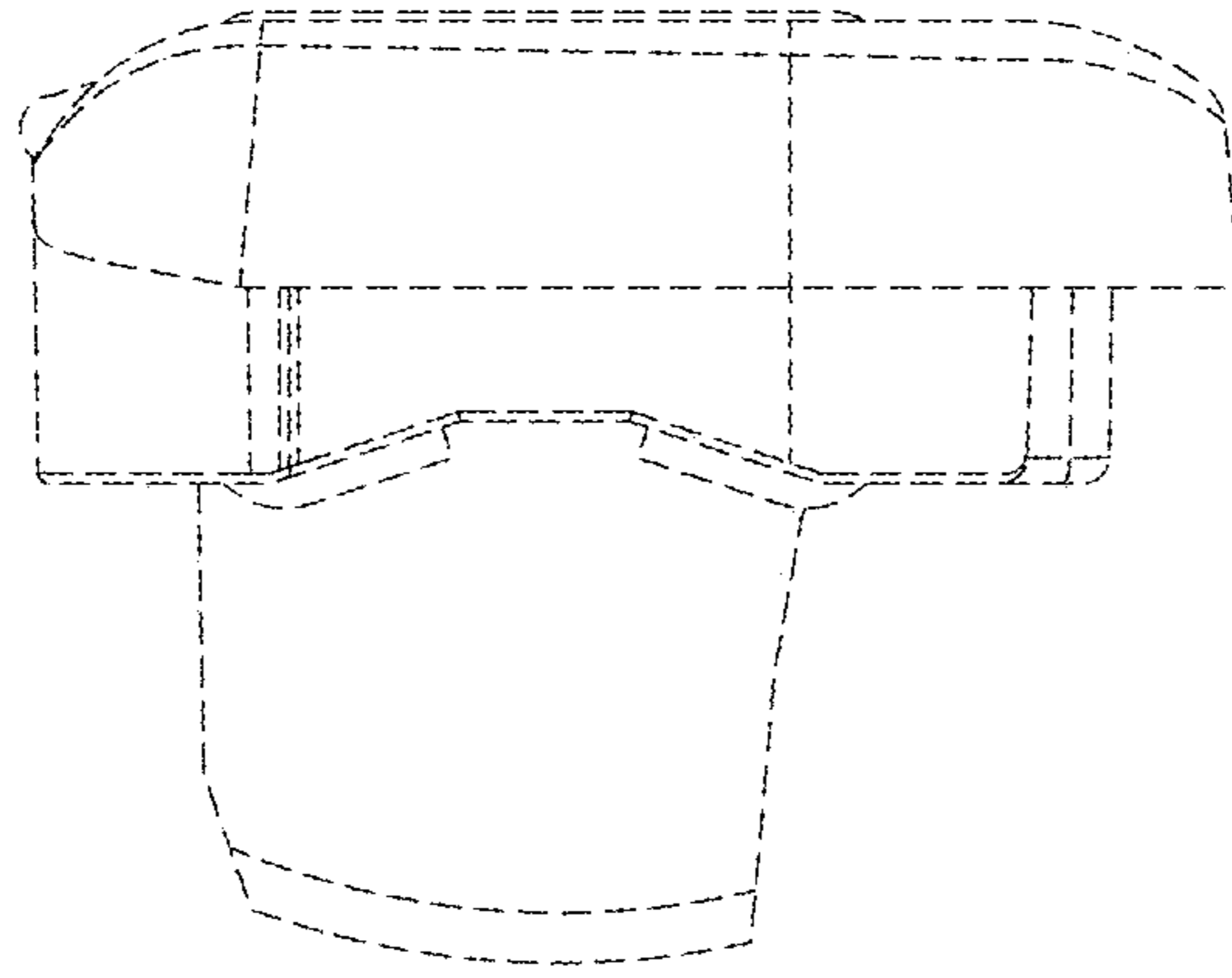


FIG. 5

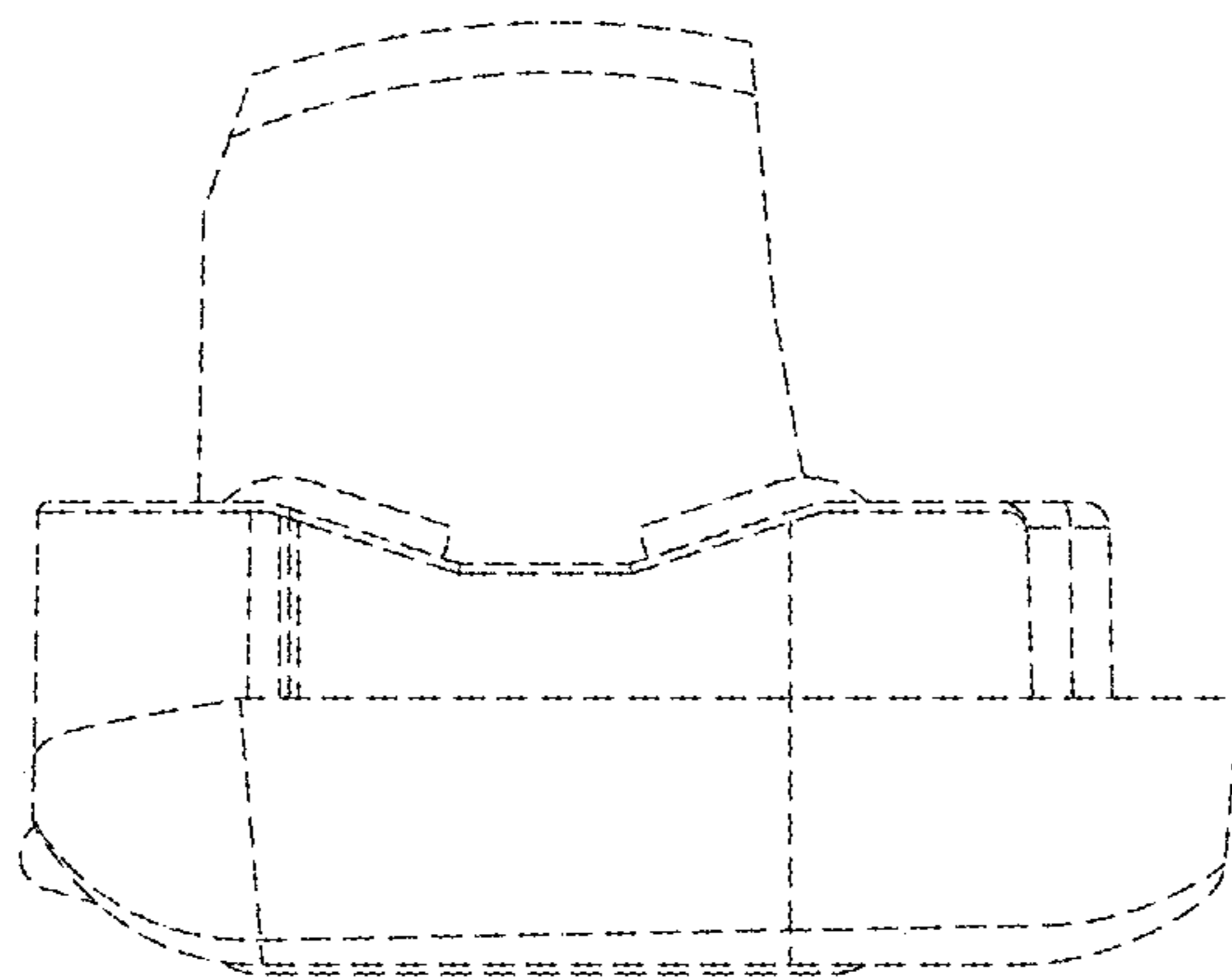


FIG. 4

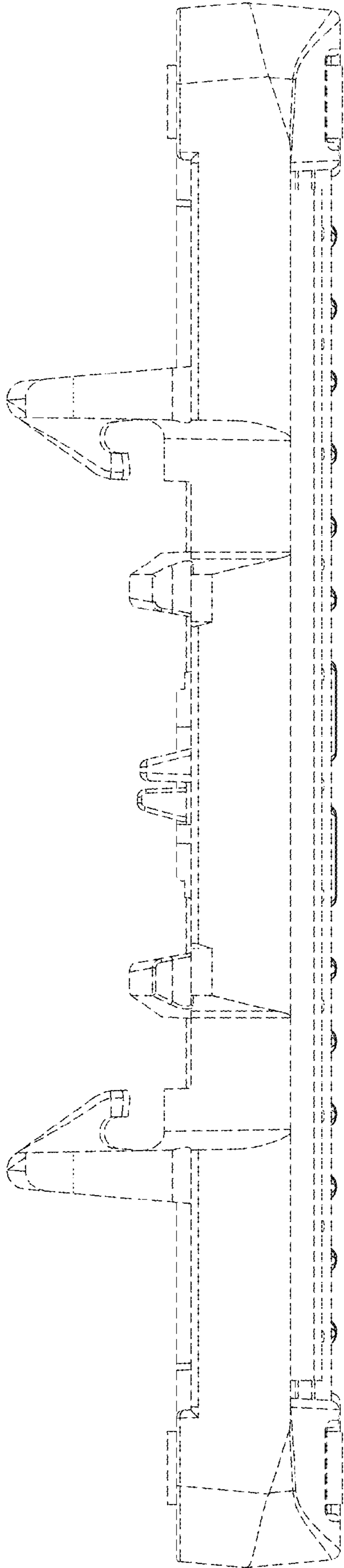


FIG. 6

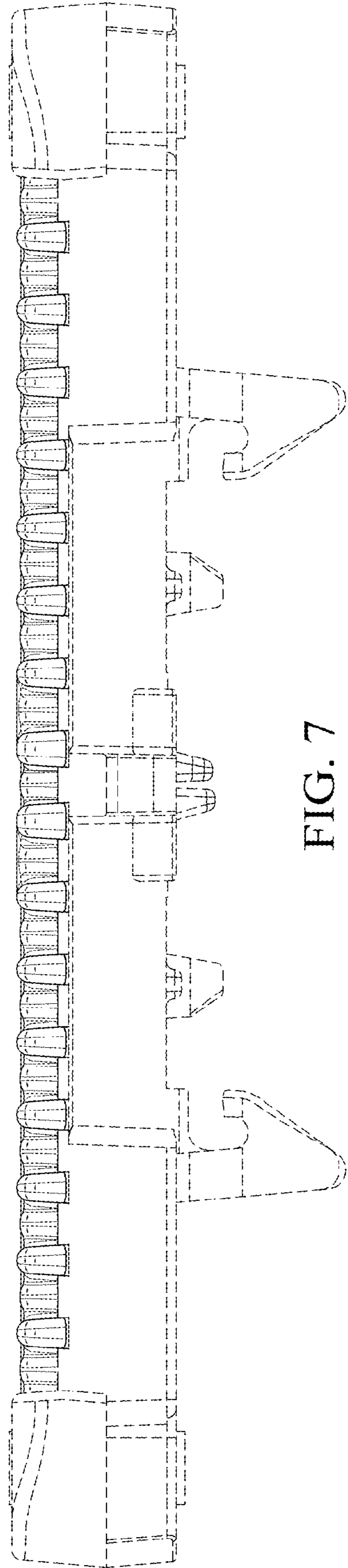


FIG. 7

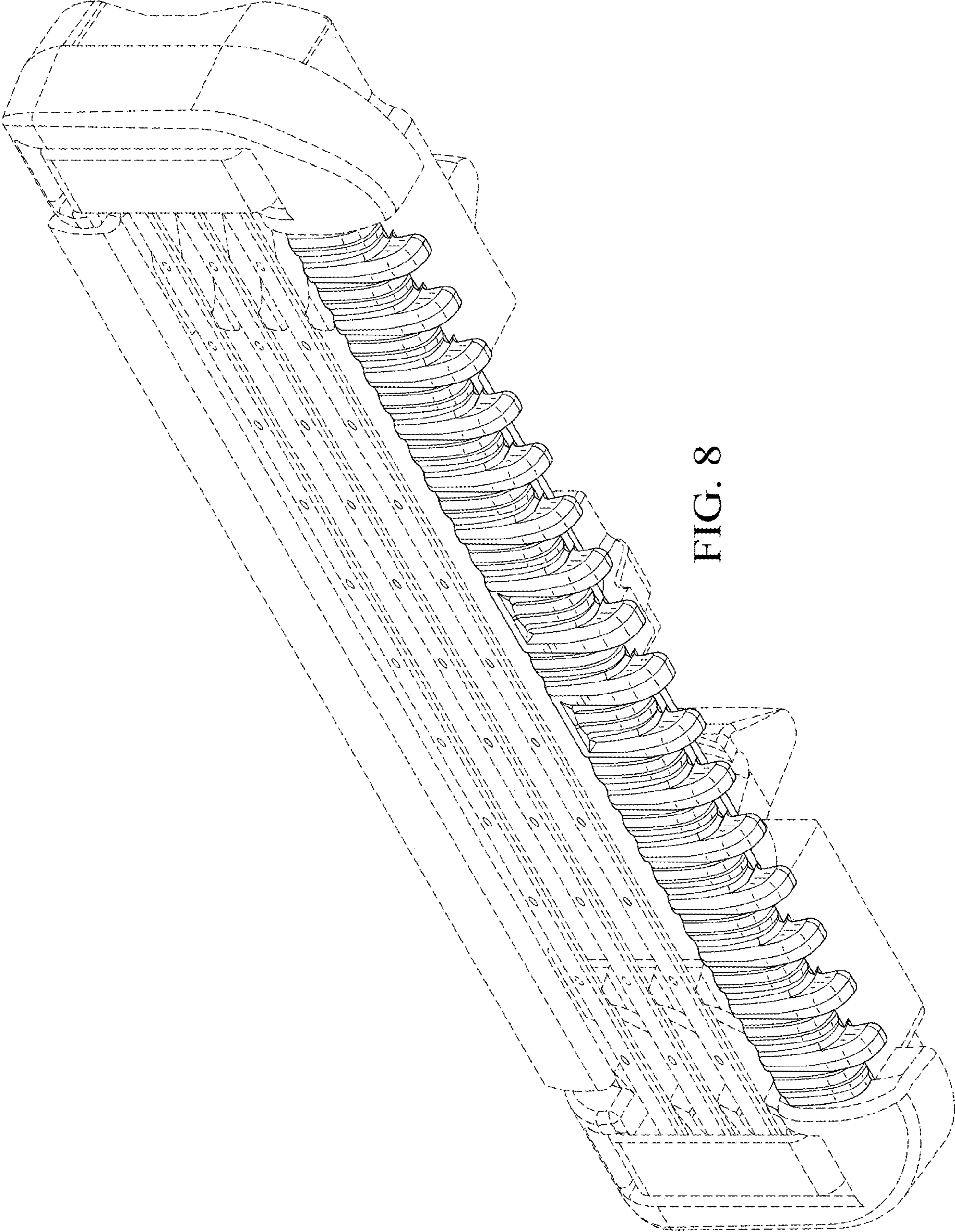


FIG. 8