



US00D886379S

(12) **United States Design Patent** (10) **Patent No.:** **US D886,379 S**  
**Bittencourt et al.** (45) **Date of Patent:** **\*\* Jun. 2, 2020**

(54) **SAFETY RAZOR CARTRIDGE**  
(71) Applicant: **Super-Max Personal Care Pvt Ltd,**  
Thane(W) (IN)  
(72) Inventors: **Antonio Carlos Acatauassu**  
**Bittencourt,** Curitiba (BR); **Yogesh**  
**Humbirrao Mohite,** Pune (IN)  
(73) Assignee: **Super-Max Personal Care Pvt Ltd,**  
Thane(W) (IN)  
(\*\*) Term: **15 Years**  
(21) Appl. No.: **29/660,968**  
(22) Filed: **Aug. 23, 2018**  
(30) **Foreign Application Priority Data**  
Feb. 24, 2018 (IN) ..... 302897  
(51) **LOC (12) Cl.** ..... **28-03**  
(52) **U.S. Cl.**  
USPC ..... **D28/47**  
(58) **Field of Classification Search**  
USPC ..... D28/45-48  
CPC . B26B 21/40; B26B 21/4006; B26B 21/4012;  
B26B 21/4018; B26B 21/4025; B26B  
21/4031; B26B 21/4068; B26B 21/4075;  
B26B 21/4081; B26B 21/4087; B26B  
21/442; B26B 21/54-60  
See application file for complete search history.

(56) **References Cited**  
U.S. PATENT DOCUMENTS  
5,794,343 A \* 8/1998 Lee ..... B26B 21/4012  
30/50  
D501,954 S \* 2/2005 Kite ..... D28/47

D514,253 S \* 1/2006 Gray ..... D28/47  
D588,744 S \* 3/2009 Fischer ..... D28/47  
D635,717 S \* 4/2011 Furtek ..... D28/47  
D641,928 S \* 7/2011 Psimadas ..... D28/46  
D866,069 S \* 11/2019 Long ..... D28/47  
10,500,745 B2 \* 12/2019 Davos ..... B26B 21/4031  
2003/0217470 A1 \* 11/2003 Follo ..... B26B 21/4018  
30/81  
2007/0163123 A1 \* 7/2007 Gratsias ..... B26B 21/14  
30/50  
2008/0229583 A1 \* 9/2008 Fischer ..... B26B 21/4018  
30/34.2  
2012/0192431 A9 \* 8/2012 Wain ..... B26B 21/4031  
30/50  
2014/0331500 A1 \* 11/2014 Ren ..... B26B 21/34  
30/41  
2017/0043491 A1 \* 2/2017 Griffin ..... B26B 21/4018  
2017/0341247 A1 \* 11/2017 Zafiroopoulos ..... B26B 21/222  
2019/0202076 A1 \* 7/2019 Park ..... B26B 21/225

\* cited by examiner  
*Primary Examiner* — Jennifer Rivard  
(74) *Attorney, Agent, or Firm* — Dave Law Group LLC;  
Raj S. Dave

(57) **CLAIM**  
The ornamental design for a safety razor cartridge, as shown  
and described.

**DESCRIPTION**  
FIG. 1 is an isometric view of a safety razor cartridge,  
showing our new design;  
FIG. 2 is a bottom plan view thereof;  
FIG. 3 is a front elevation view thereof;  
FIG. 4 is a right side view thereof; and,  
FIG. 5 is a top plan view thereof.

**1 Claim, 5 Drawing Sheets**

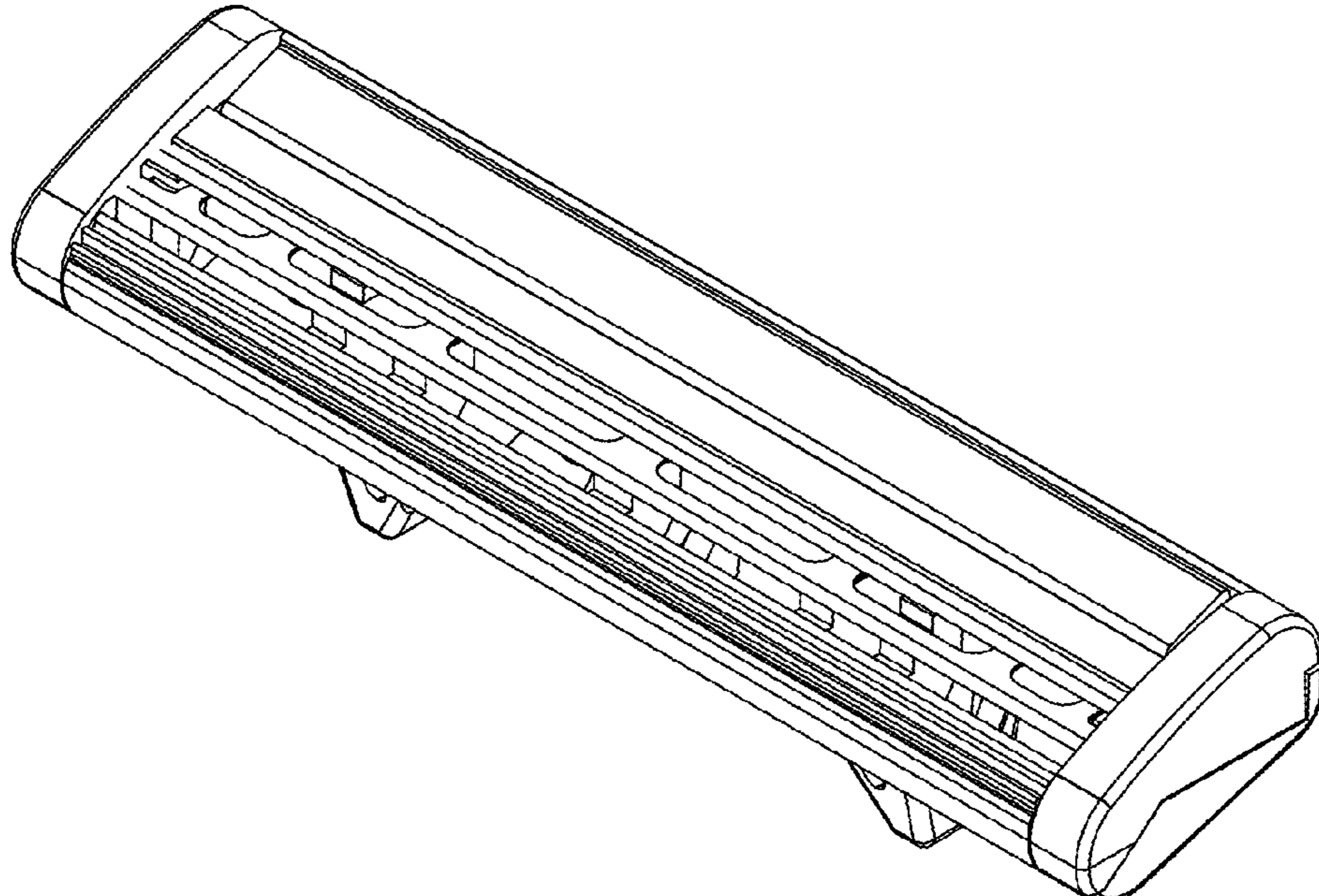


Fig. 1

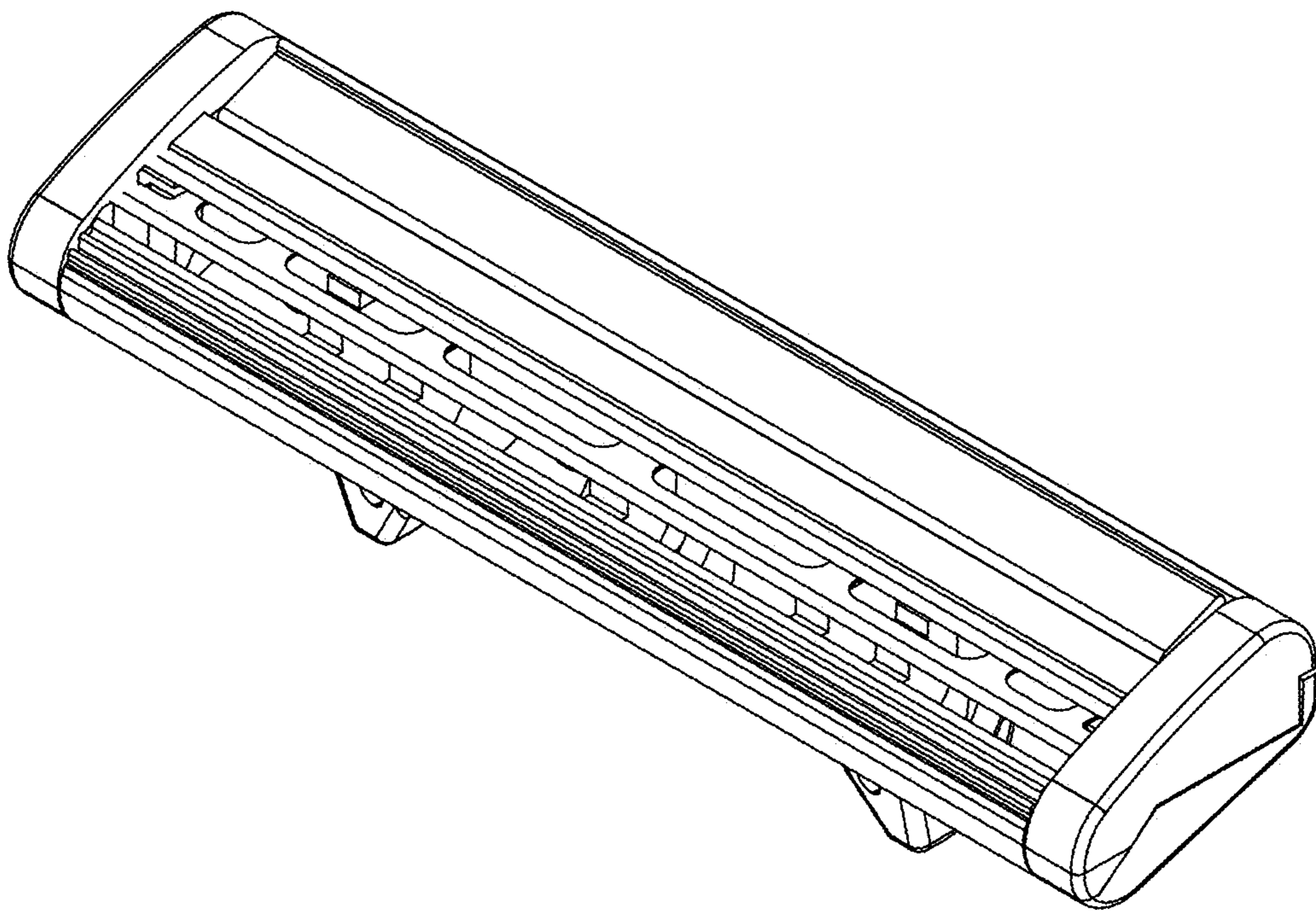


Fig. 2

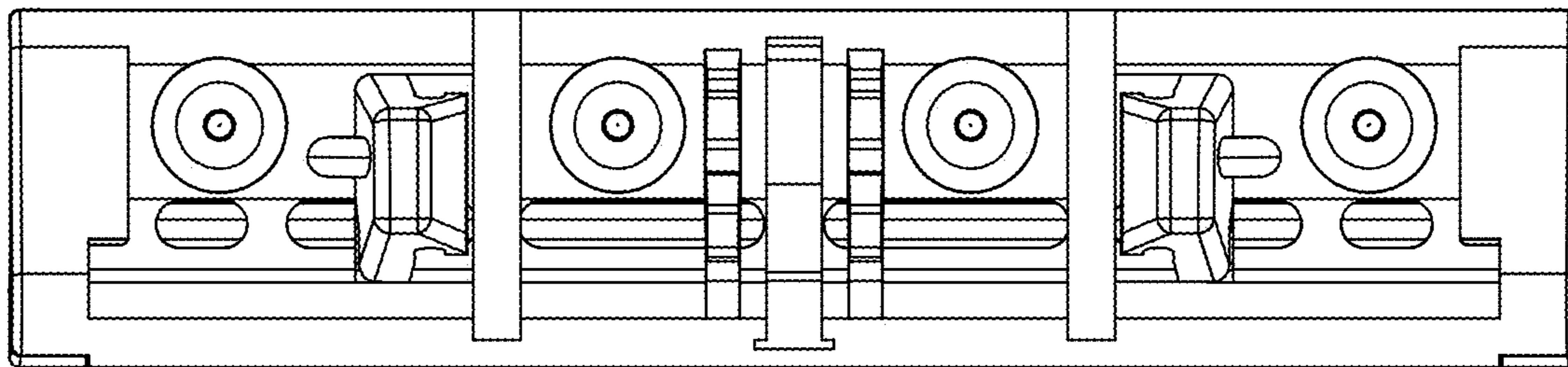
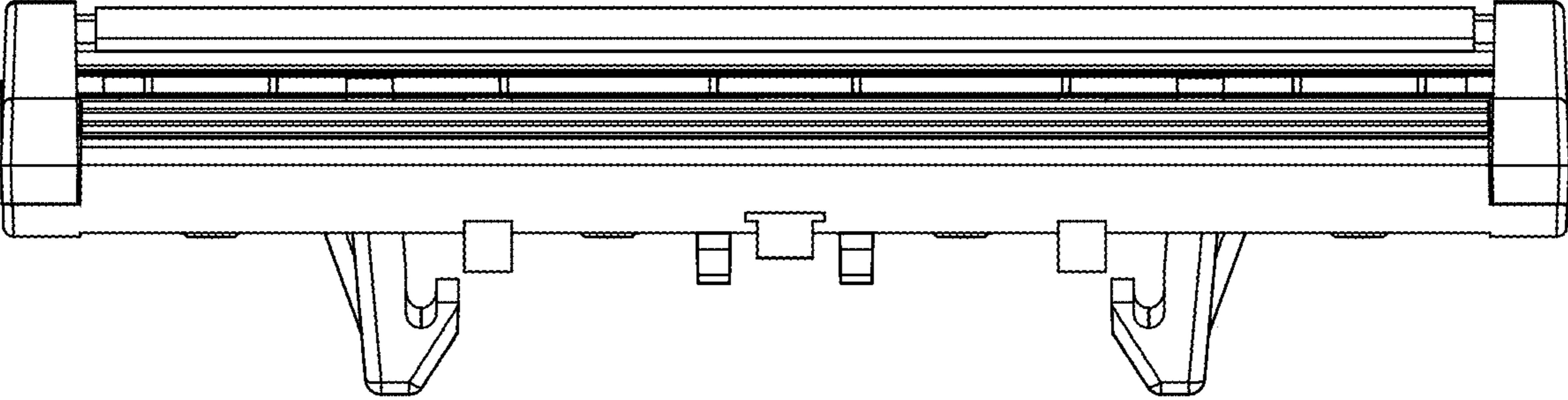


Fig. 3



**Fig. 4**

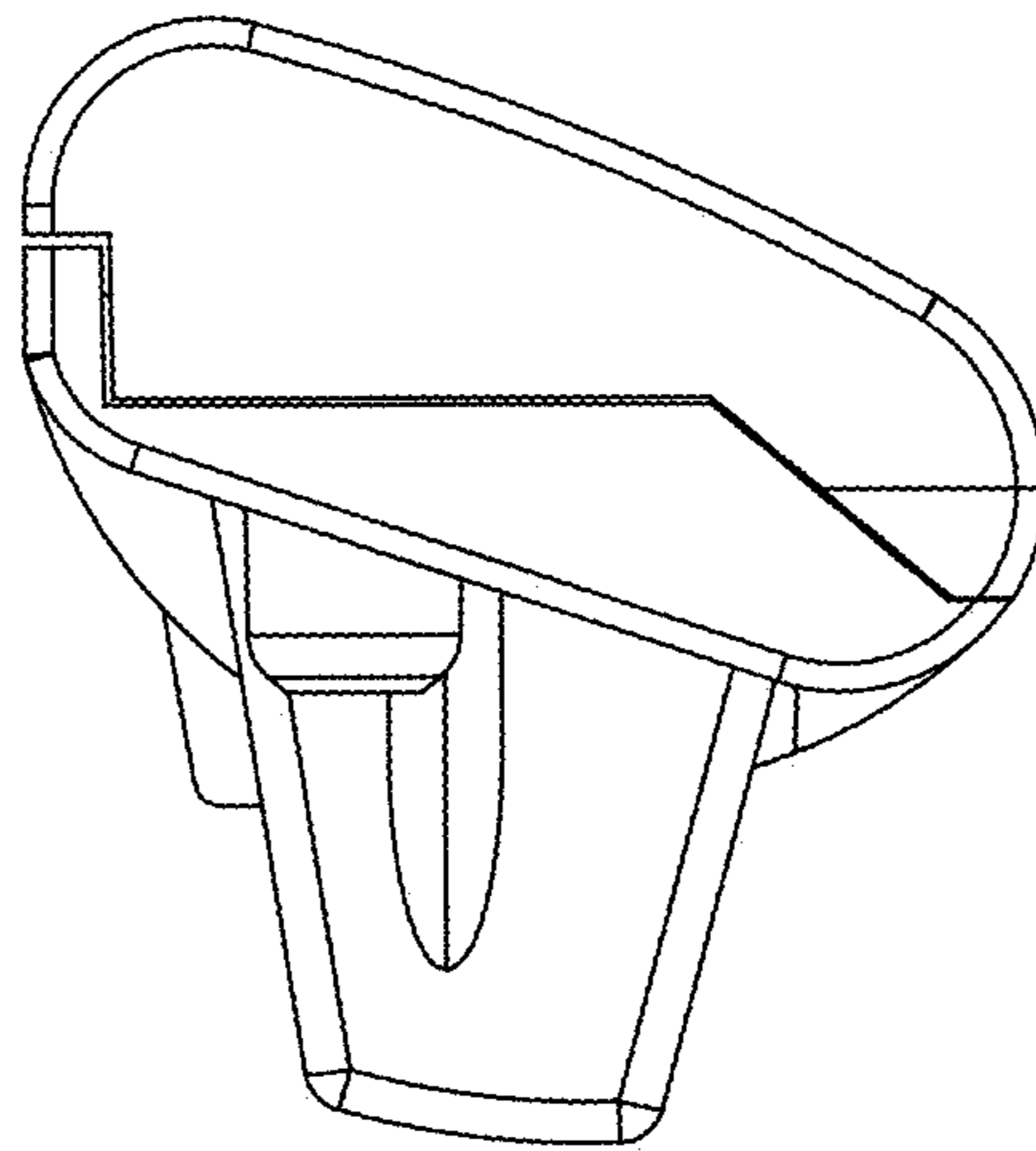




Fig. 5

