



US00D886372S

(12) **United States Design Patent**
Weinrich

(10) **Patent No.:** **US D886,372 S**
(45) **Date of Patent:** **** Jun. 2, 2020**

(54) **COMBINED COSMETIC JAR AND CAP**

(71) Applicant: **ELC MANAGEMENT LLC**, Melville, NY (US)

(72) Inventor: **Allan Justin Weinrich**, Clyde Hill, WA (US)

(73) Assignee: **ELC Management LLC**, Melville, NY (US)

(**) Term: **15 Years**

(21) Appl. No.: **29/674,614**

(22) Filed: **Dec. 21, 2018**

(51) **LOC (12) Cl.** **28-02**

(52) **U.S. Cl.**
USPC **D28/7**

(58) **Field of Classification Search**
USPC D28/7, 8, 8.1, 8.2, 9, 20, 48, 54.1, 63,
D28/73, 76, 77, 78, 82

(Continued)

(56) **References Cited**

U.S. PATENT DOCUMENTS

D337,177 S * 7/1993 Tiramani D28/76
D504,615 S 5/2005 Papiernik

(Continued)

FOREIGN PATENT DOCUMENTS

CN 301070739 12/2009
CN 301089159 12/2009

(Continued)

OTHER PUBLICATIONS

http://www.cosme-de.com/en/product/product_page.html?affsrc=bXN8f8BYQs&refCur=USD&pdid=10605&gclid=CNLwt_ysuNICFUdYDQodluQOYg; cosme-de.com; Lancome Renergie French Lift TM Nigh Duo (Retightening Cream + Massage Disk); pp. 1-4; Mar. 2017.

Primary Examiner — Barbara Fox

Assistant Examiner — Messina L Smith

(74) *Attorney, Agent, or Firm* — Tiffany A. Johnson

(57) **CLAIM**

The ornamental design for a combined cosmetic jar and cap, as shown and described.

DESCRIPTION

FIG. 1 is a top perspective view of a combined cosmetic jar and cap showing the claimed design;

FIG. 2 is a bottom rear perspective view thereof;

FIG. 3 is a front view thereof;

FIG. 4 is a rear view thereof;

FIG. 5 is a left view thereof;

FIG. 6 is a right view thereof;

FIG. 7 is a top view thereof;

FIG. 8 is a bottom view thereof;

FIG. 9 is an exploded view of the combined cosmetic jar and cap shown in FIG. 1;

FIG. 10 is a top front perspective view of the cap, shown separately to show aspects of the design that are not visible when combined;

FIG. 11 is a bottom rear perspective view of the cap;

FIG. 12 is a front view of the cap;

FIG. 13 is a rear view of the cap;

FIG. 14 is a left view of the cap;

FIG. 15 is a right view of the cap;

FIG. 16 is a top view of the cap;

FIG. 17 is a bottom view of the cap;

FIG. 18 is a front perspective view of the jar, shown separately to show aspects of the design that are not visible when combined;

FIG. 19 is a bottom rear perspective view of the jar;

FIG. 20 is a front view of the jar;

FIG. 21 is a rear view of the jar;

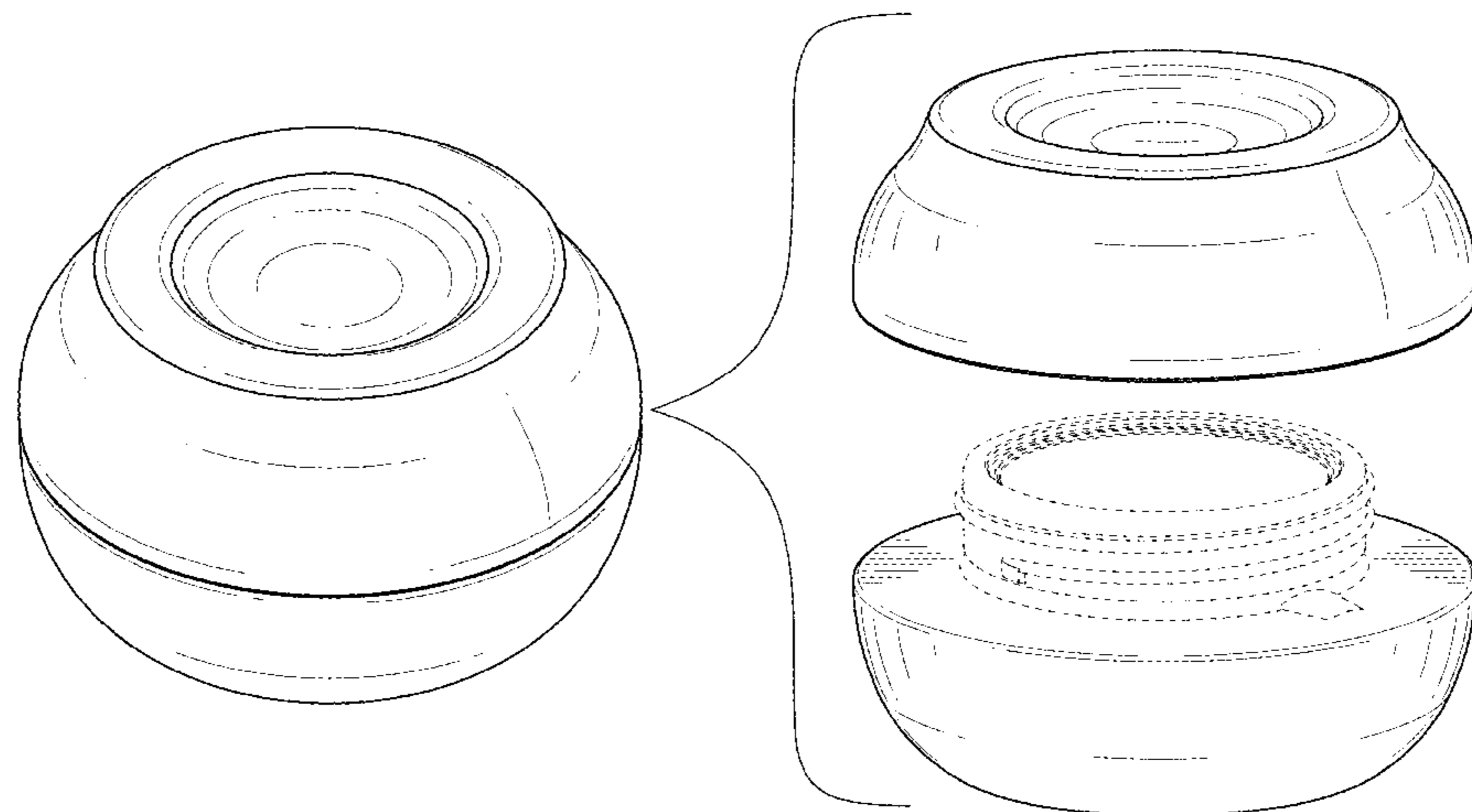
FIG. 22 is a left view of the jar;

FIG. 23 is a right view of the jar;

FIG. 24 is a top view of the jar; and,

FIG. 25 is a bottom view of the jar.

(Continued)



The broken lines in the drawings depict portions of the combined cosmetic jar and cap that form no part of the claimed design.

1 Claim, 13 Drawing Sheets

(58) **Field of Classification Search**

CPC A45D 33/00; A45D 33/001; A45D 33/003;
 A45D 33/006; A45D 33/02; A45D 33/18;
 A45D 33/22; A45D 40/26; A45D 40/261;
 A45D 40/28; A45D 44/08; A45D 44/10;
 A45D 2200/20; A45D 2200/207; A45D
 2200/1009; A45D 2200/1054; A45D
 2200/1063; A45D 2200/1081; A45D
 2200/109; A46B 2200/00; A46B 2200/10;
 A46B 2200/102; A46B 2200/1046; A46B
 5/00; A46B 5/02; A46B 5/021; A46B
 5/023; A46B 5/025; A46B 5/026; A46B
 5/028; A46B 5/0095; A46B 7/00; A46B
 7/02; A46B 7/023; A47K 7/00; A47K
 7/02; A47K 7/06; A47K 7/08

See application file for complete search history.

(56) **References Cited**

U.S. PATENT DOCUMENTS

D584,950 S 1/2009 Courtaigne Delalande

D627,650 S * 11/2010 Yeung D28/9
 D645,751 S 9/2011 Back
 D664,853 S 8/2012 Kipry et al.
 D793,624 S * 8/2017 Hwang D28/82
 D817,174 S * 5/2018 Weinrich D9/503
 D840,591 S * 2/2019 Villarreal D28/7
 D853,036 S * 7/2019 Lee D28/82
 D855,784 S * 8/2019 Seo D23/358
 D858,889 S * 9/2019 Teller D28/85
 D861,989 S * 10/2019 Jeong D28/78
 D869,273 S * 12/2019 Kim D9/449
 2019/0365074 A1* 12/2019 Kikuchi A45D 33/003

FOREIGN PATENT DOCUMENTS

CN	302516294	7/2013
CN	303529117	12/2015
JP	D1429909	12/2011
KR	300484758.0000	3/2008
KR	300499412-0002	5/2009
KR	300530682-0000	6/2009
KR	300645267-0000	5/2012
KR	300704887-0000	8/2013
KR	300729185-0000	2/2014
KR	300879863-0000	11/2016
KR	300881193-00000	11/2016

* cited by examiner

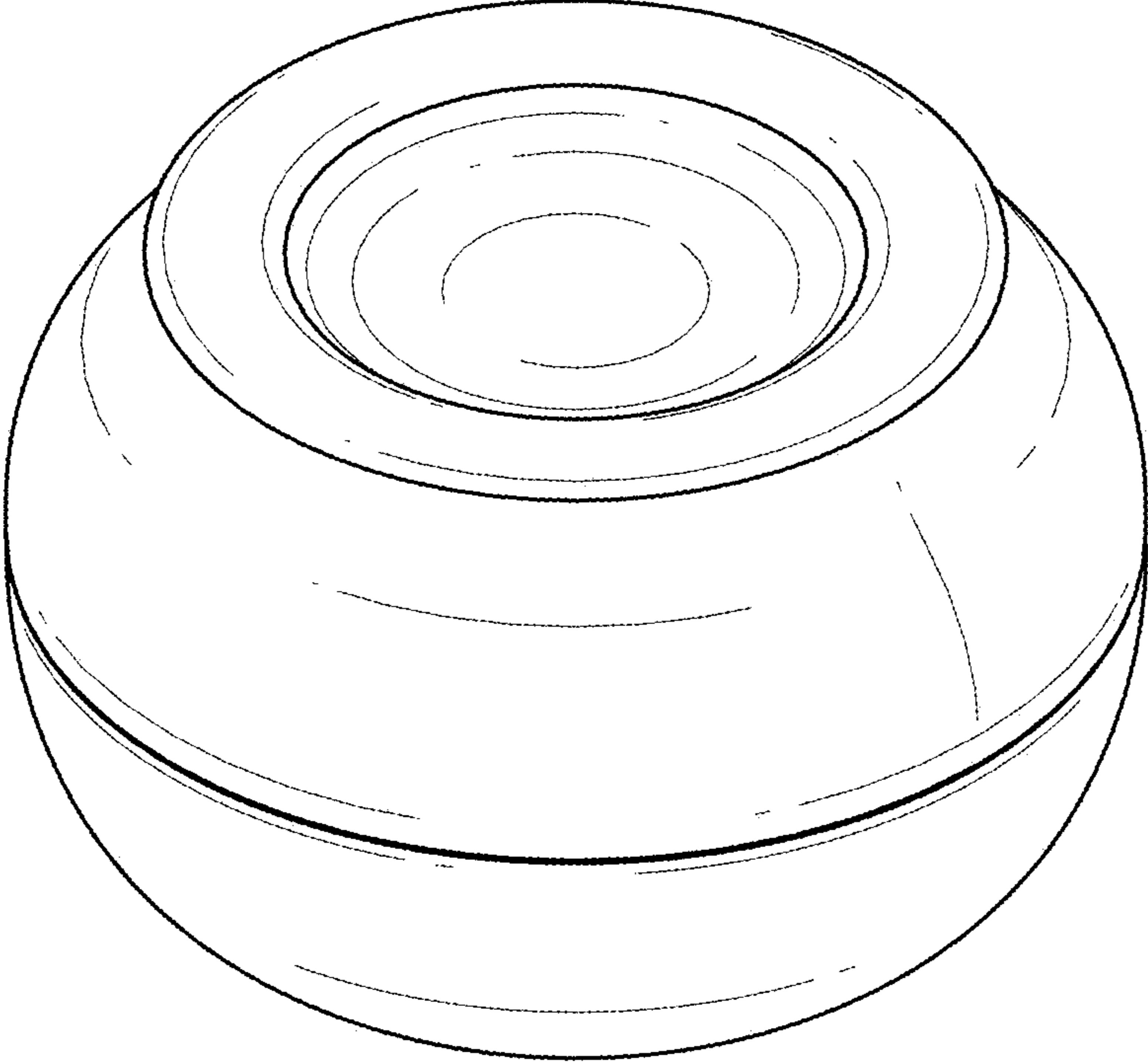


FIG. 1

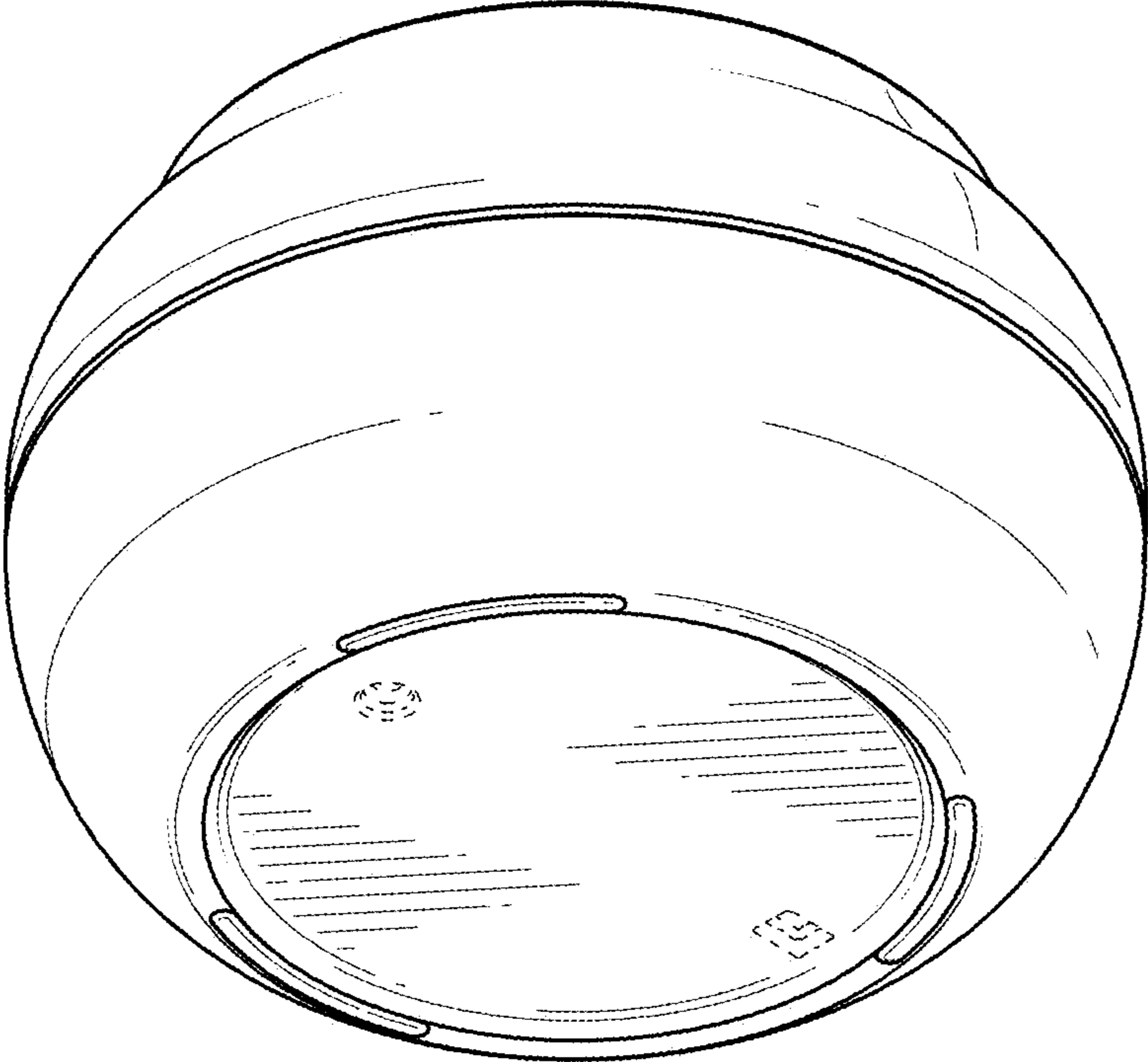


FIG. 2

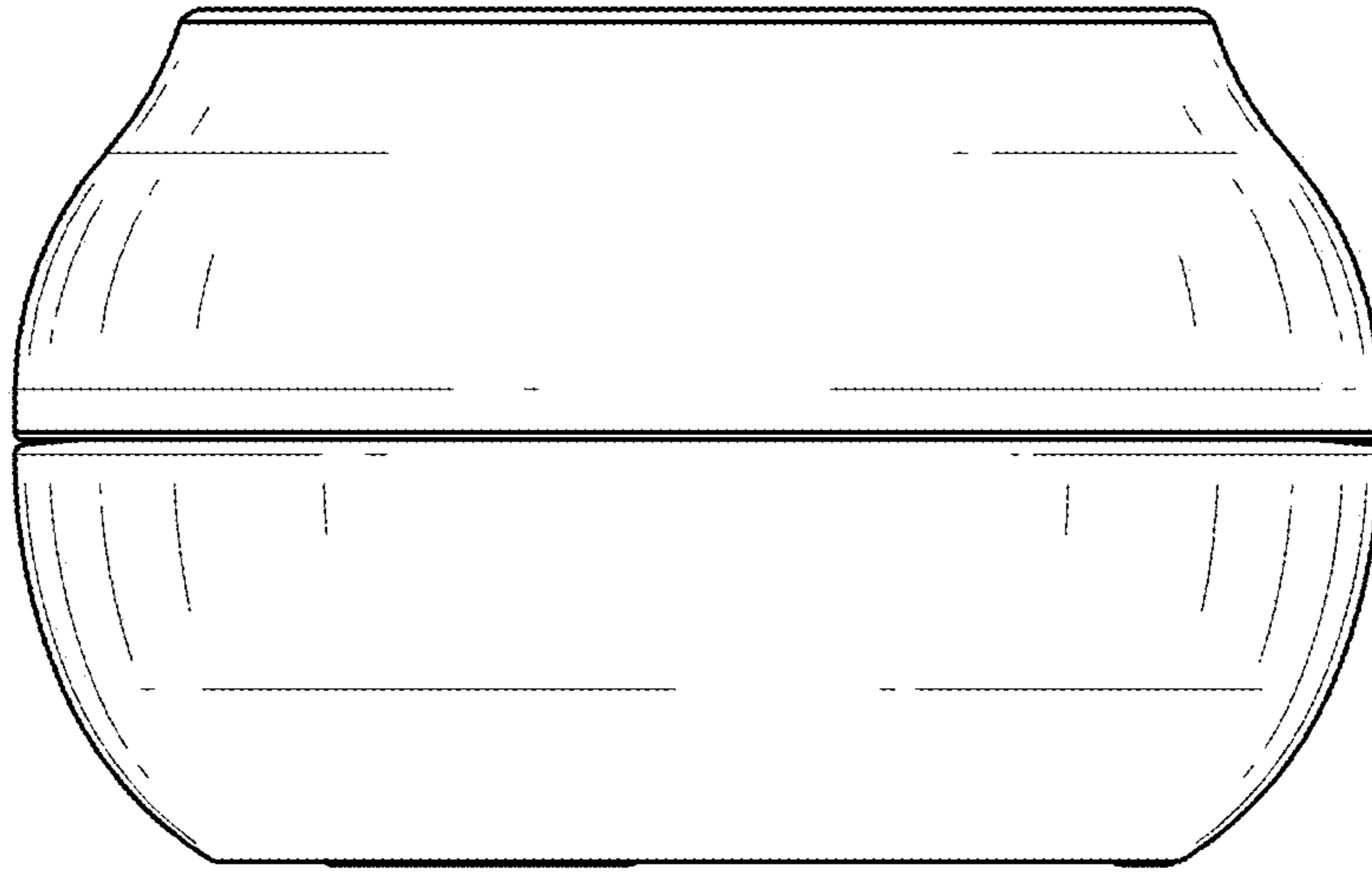


FIG. 3

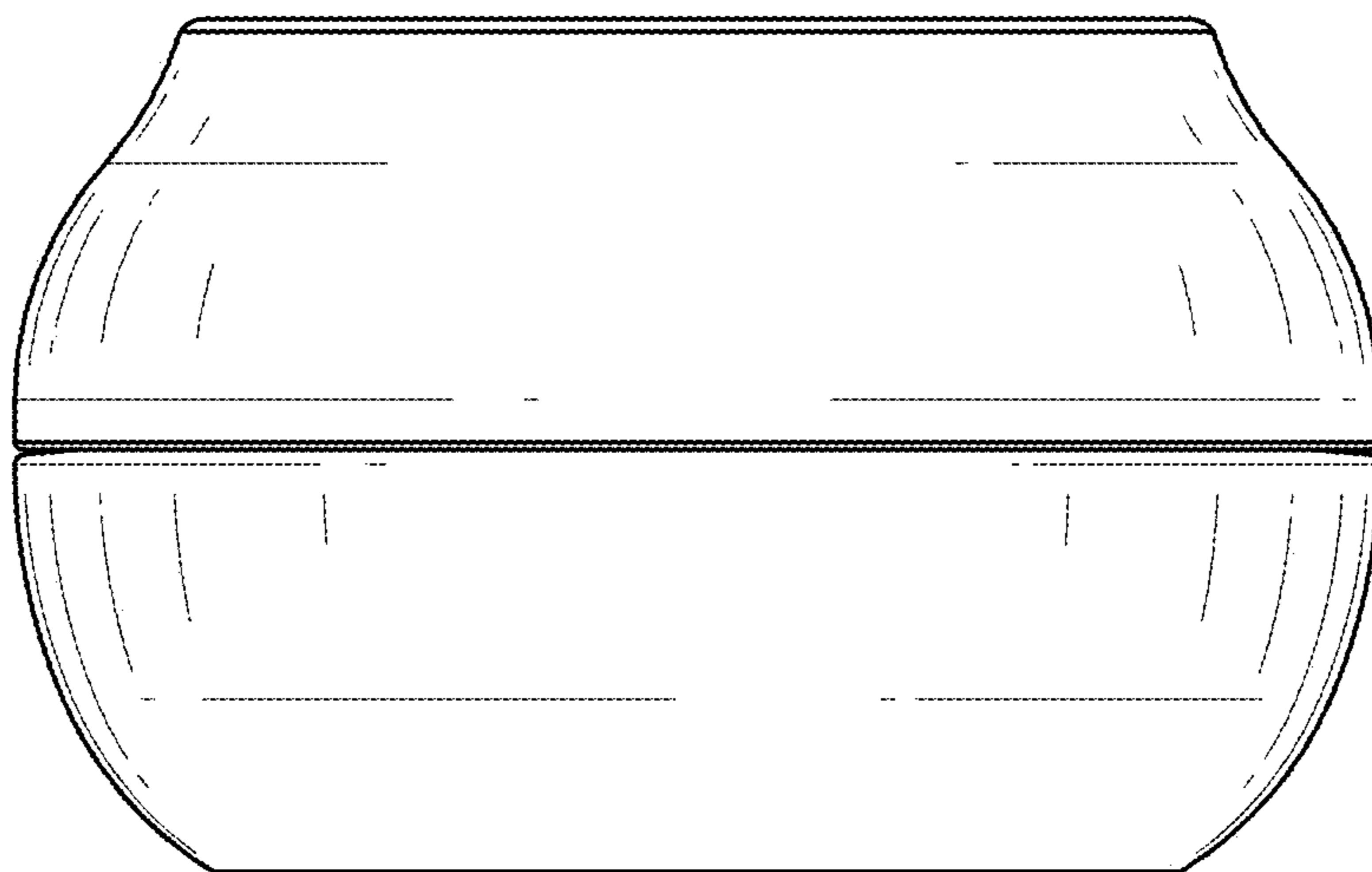


FIG. 4

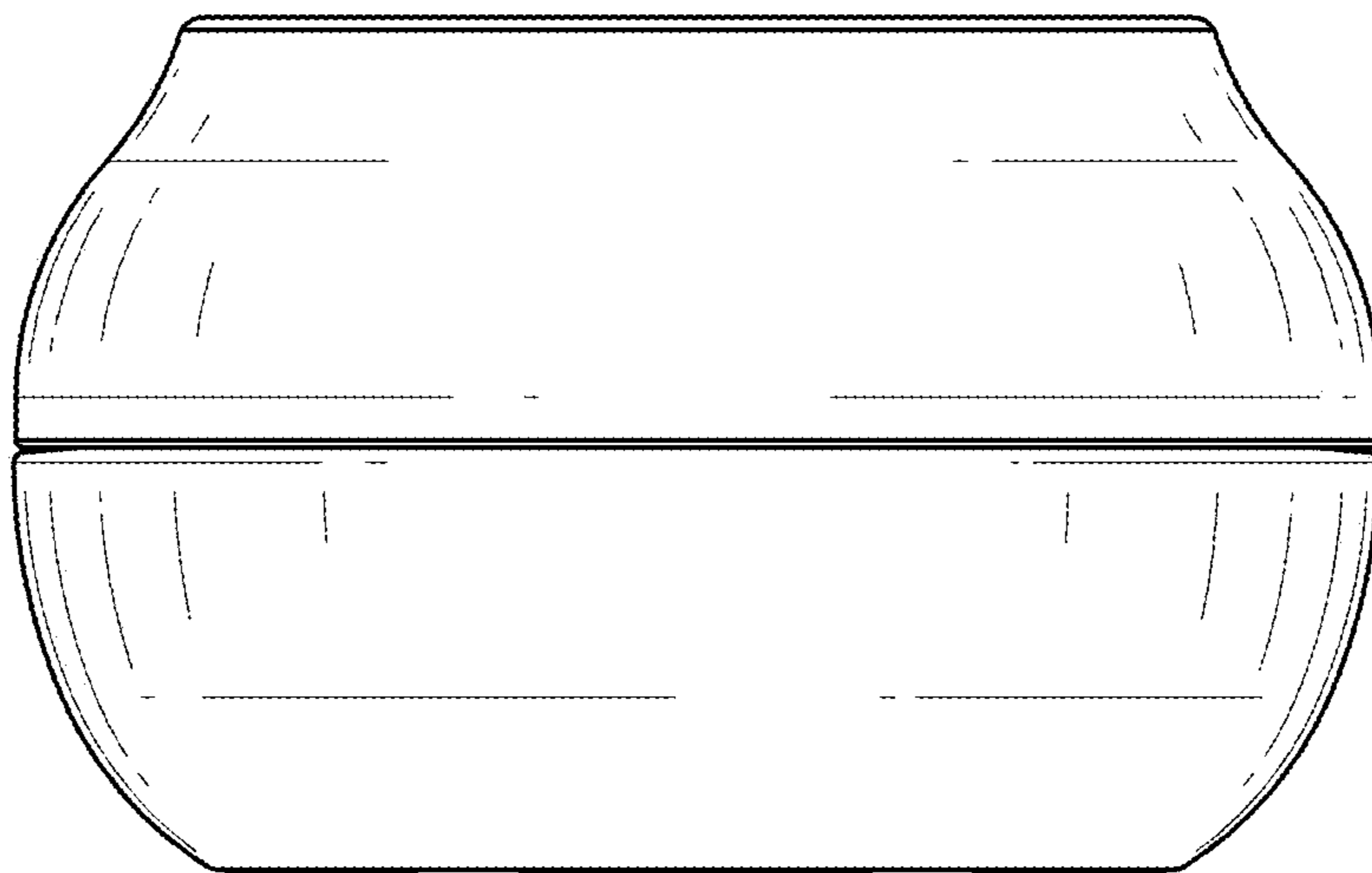


FIG. 5

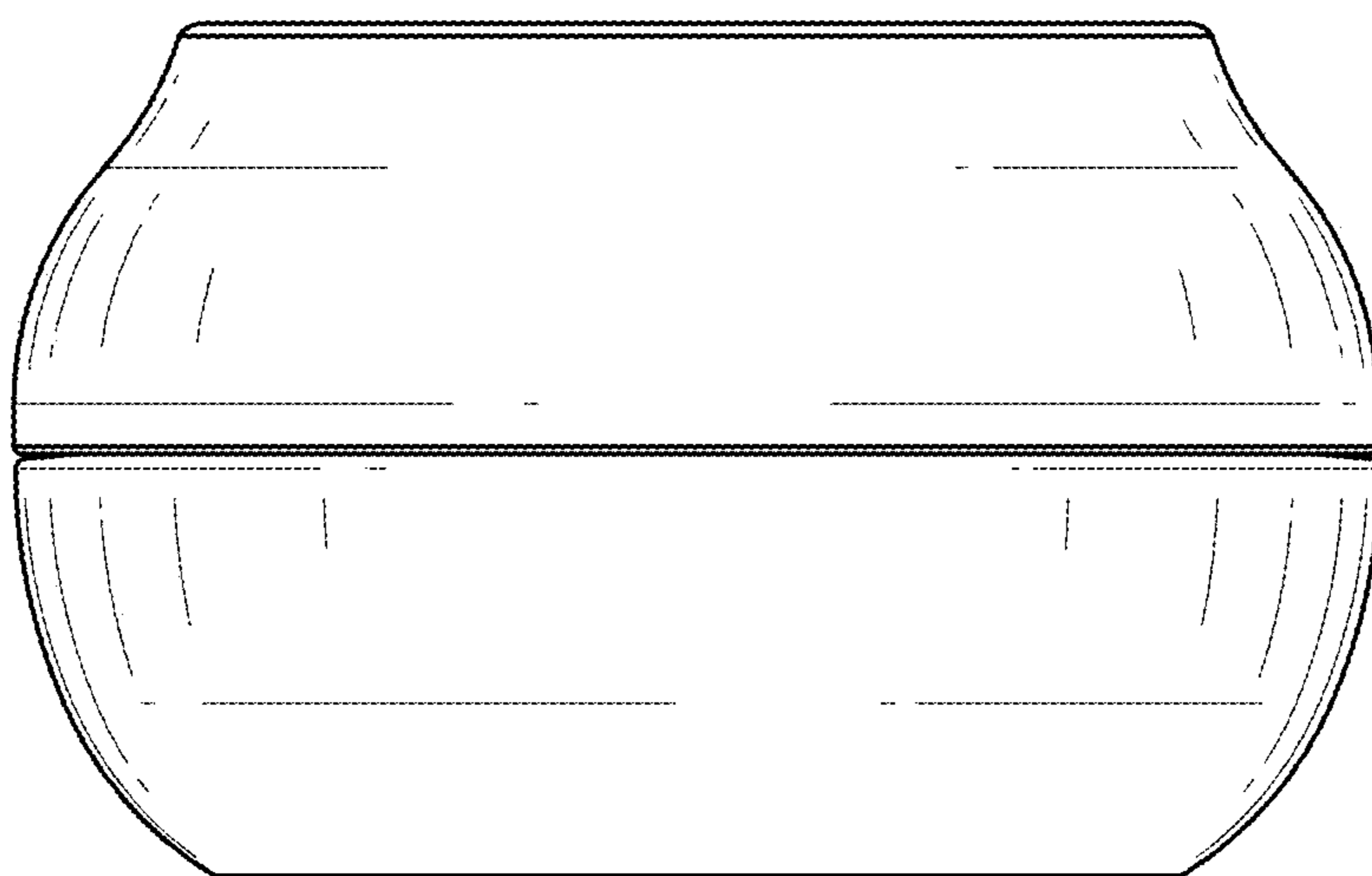


FIG. 6

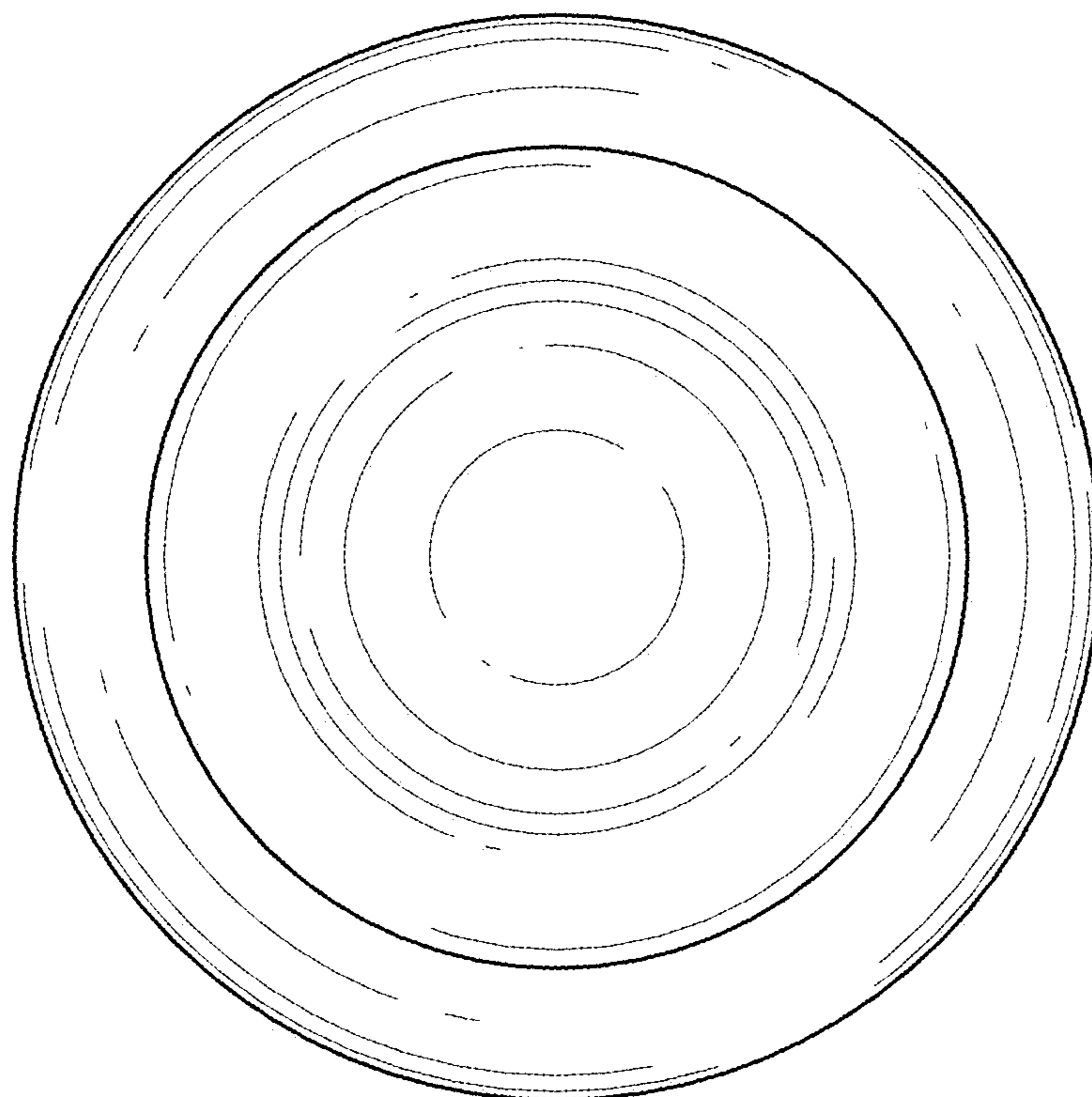


FIG. 7

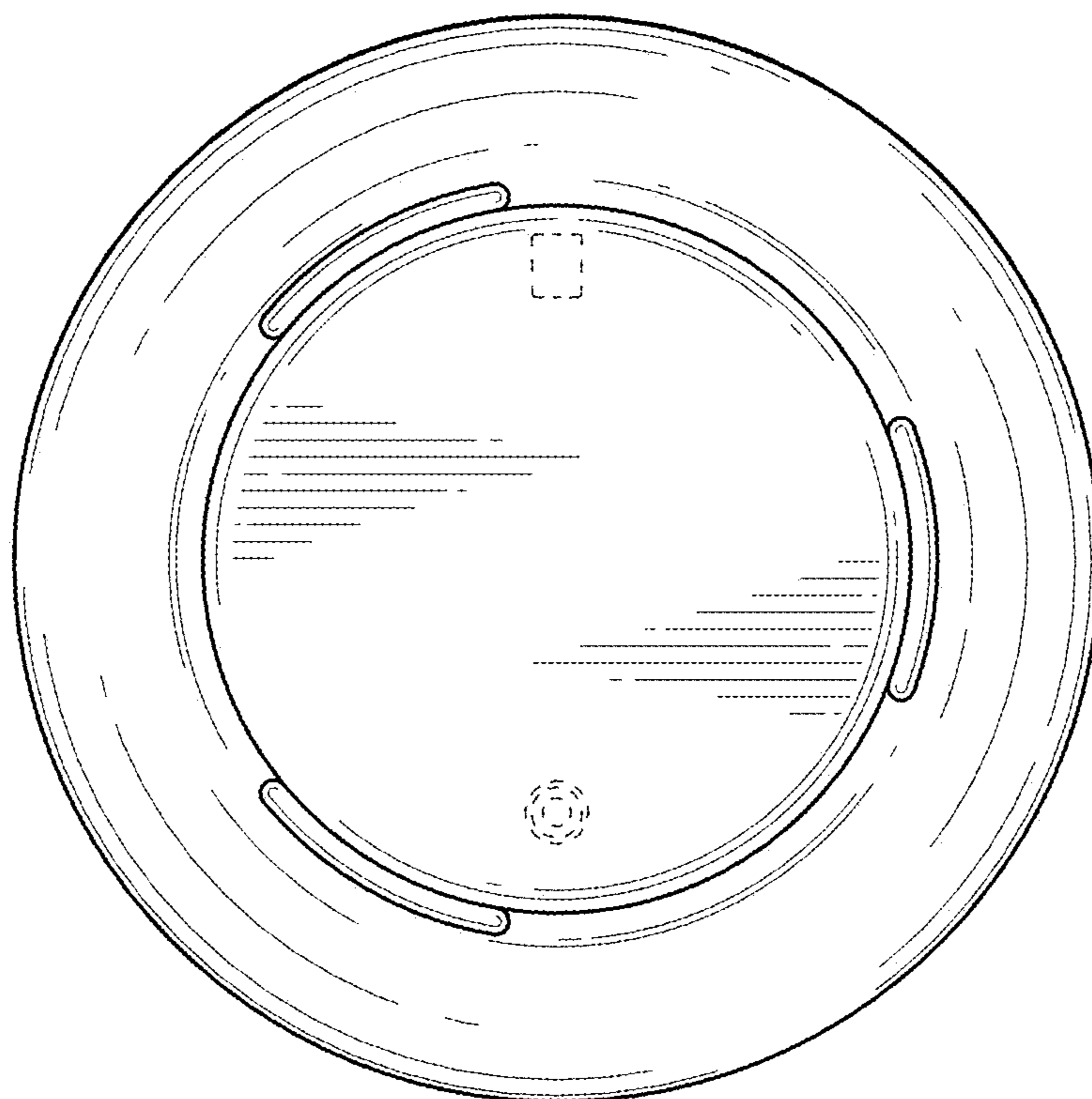


FIG. 8

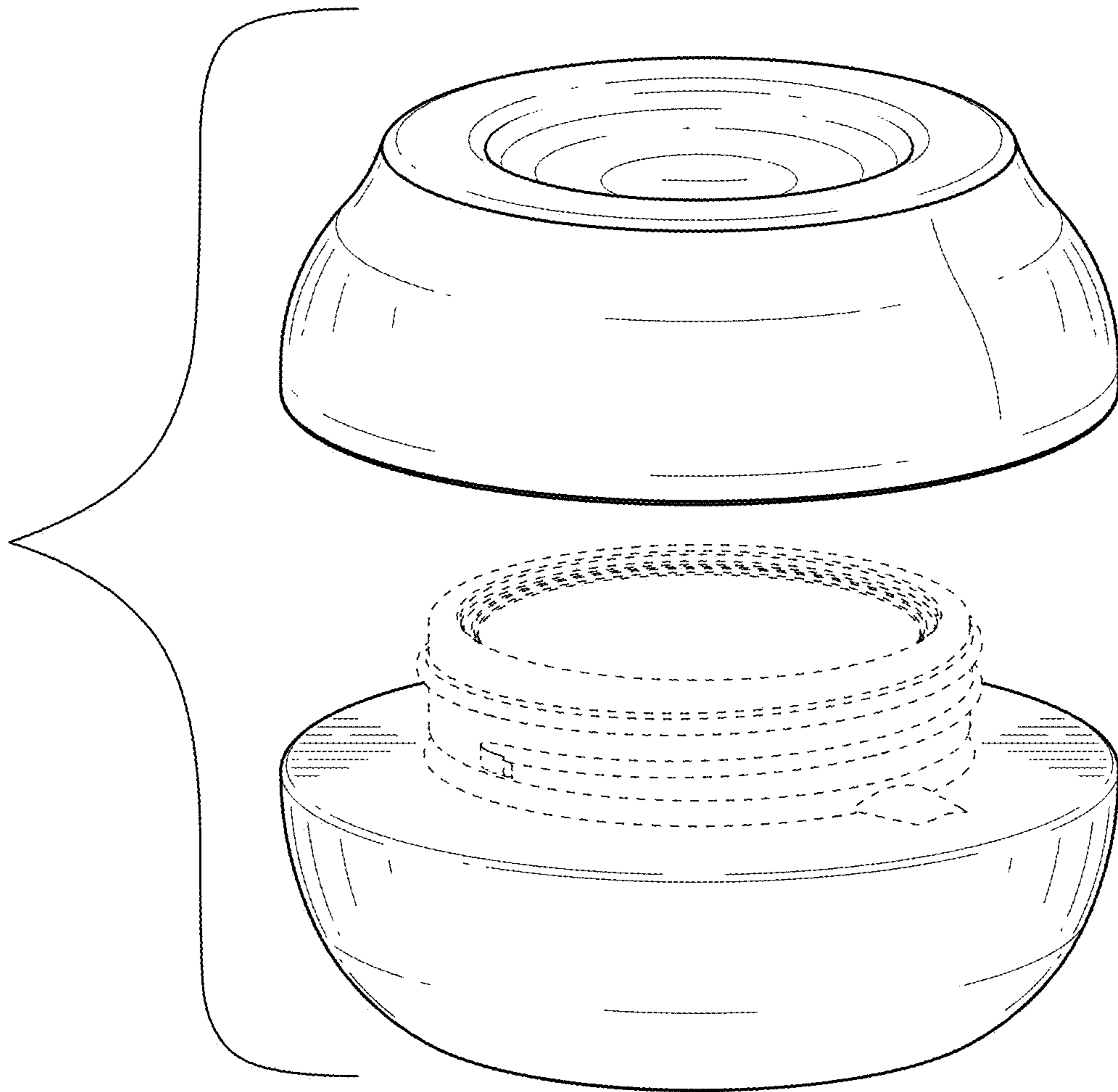


FIG. 9

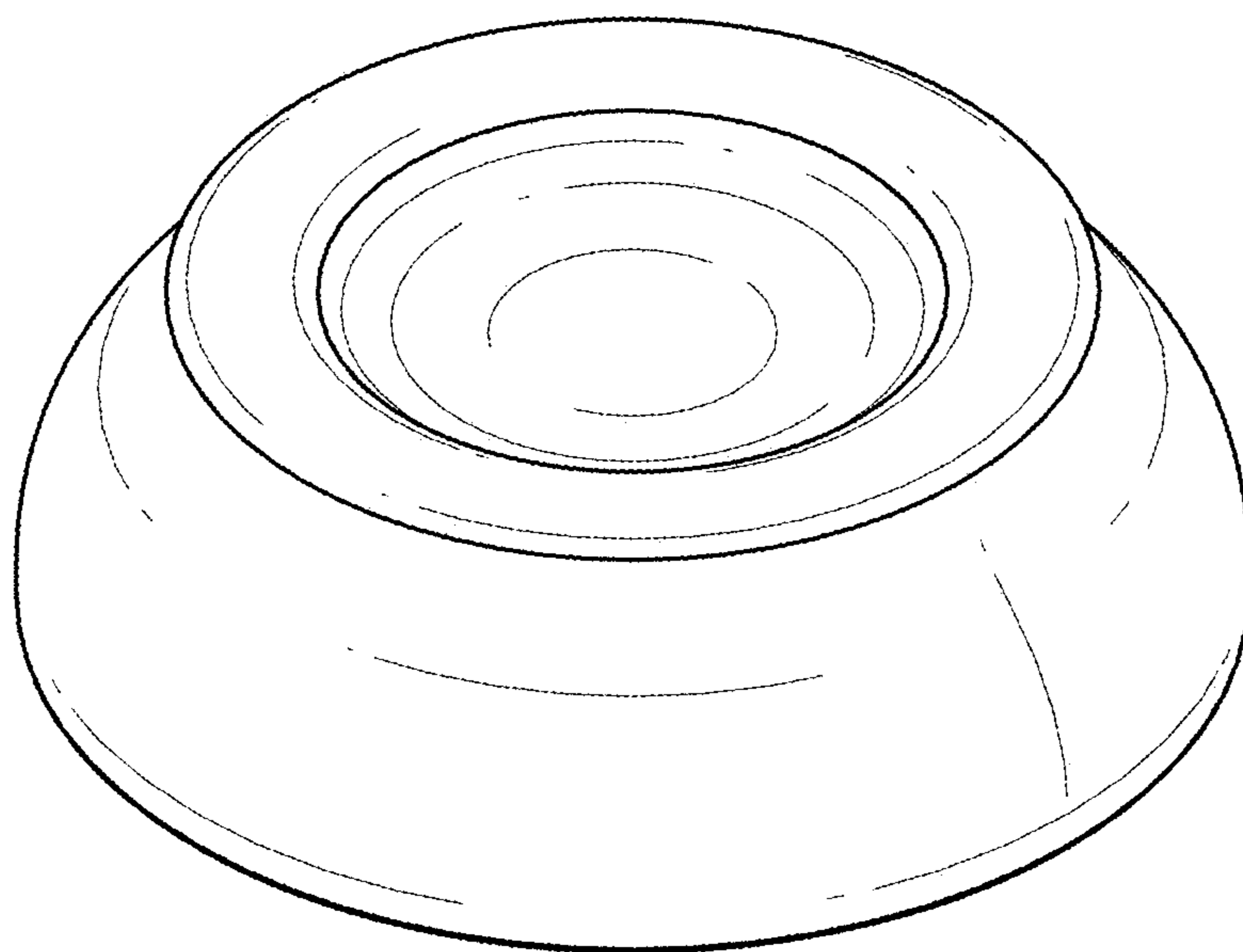


FIG. 10

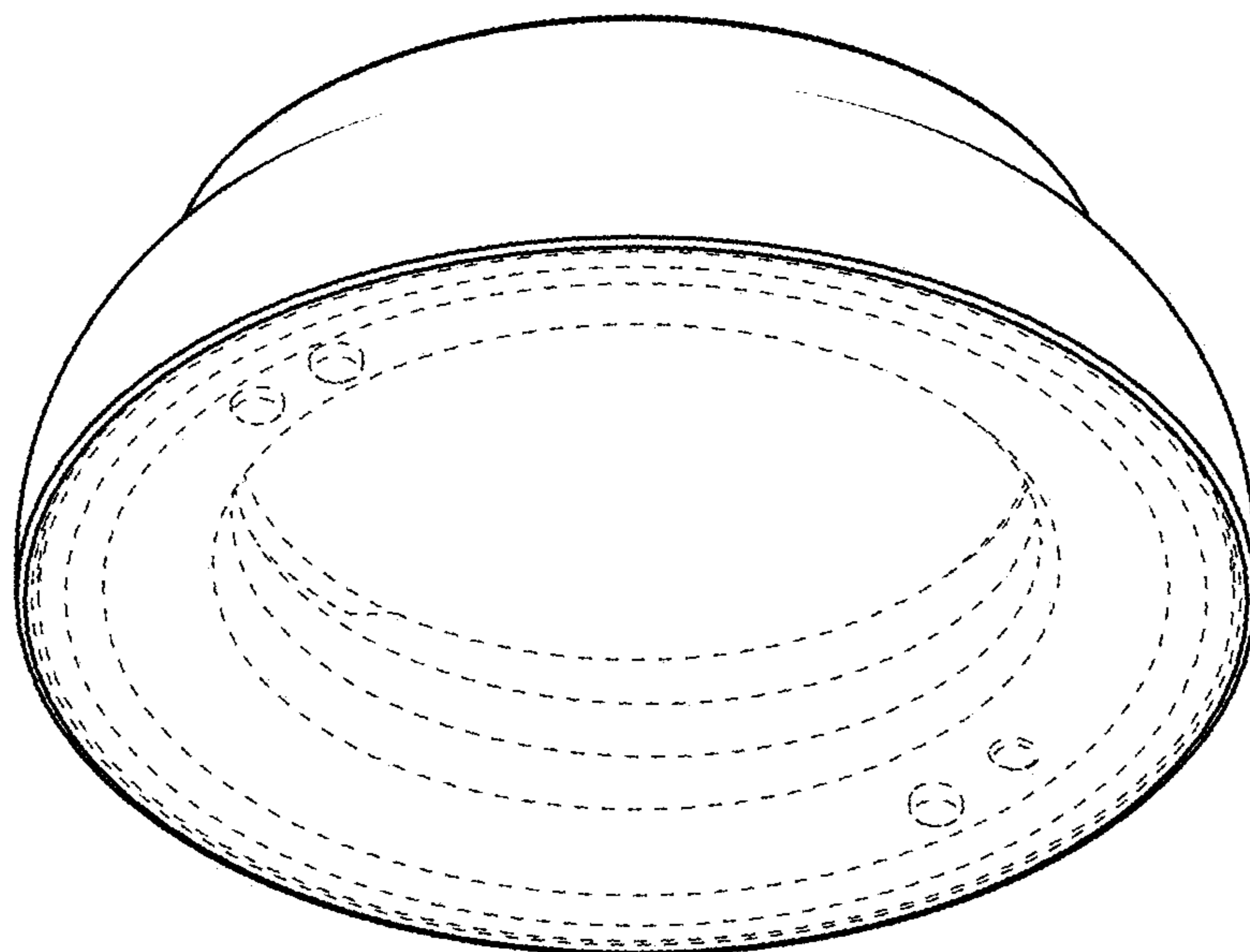


FIG. 11

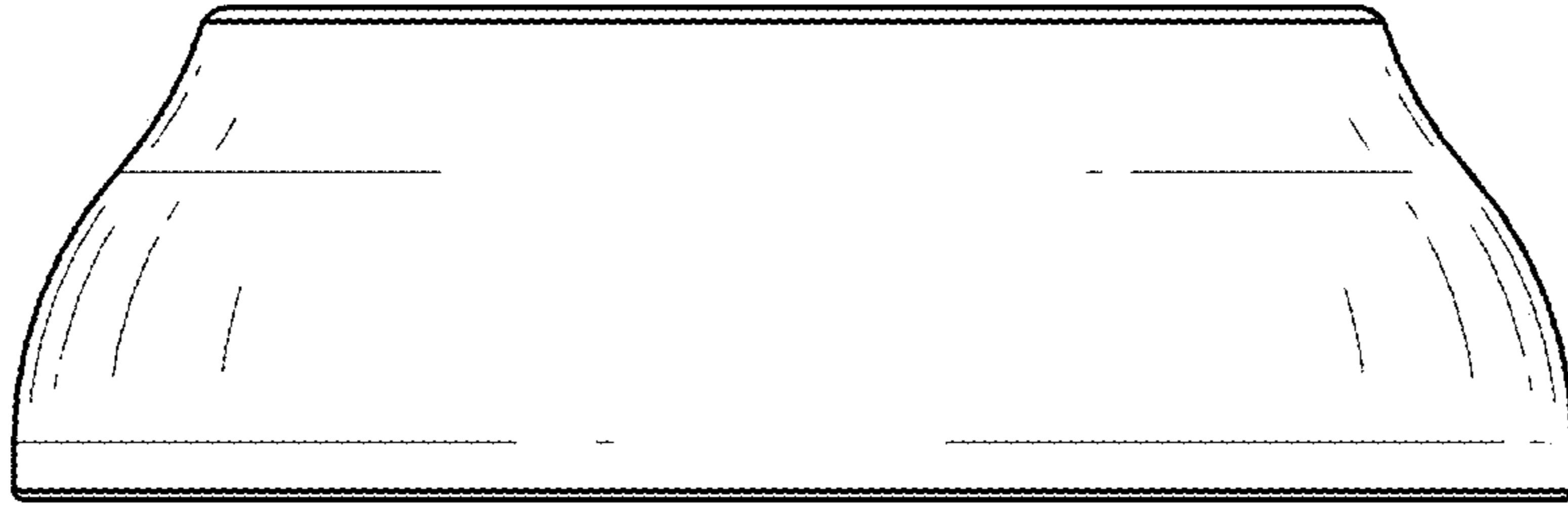


FIG. 12

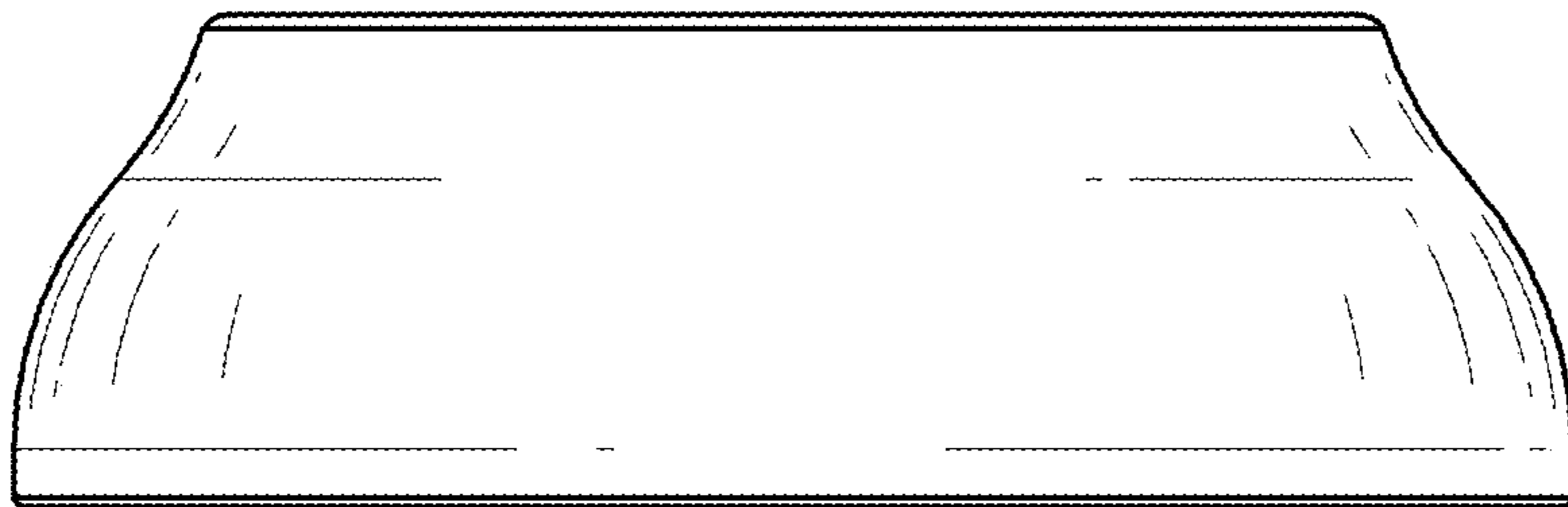


FIG. 13

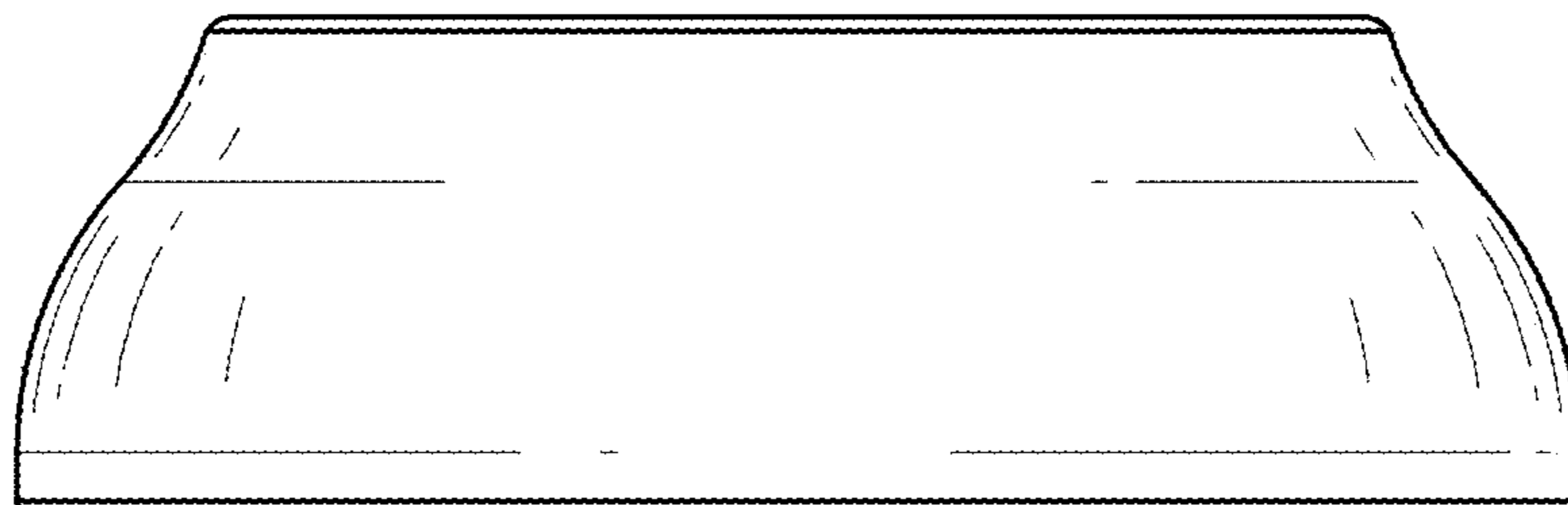


FIG. 14

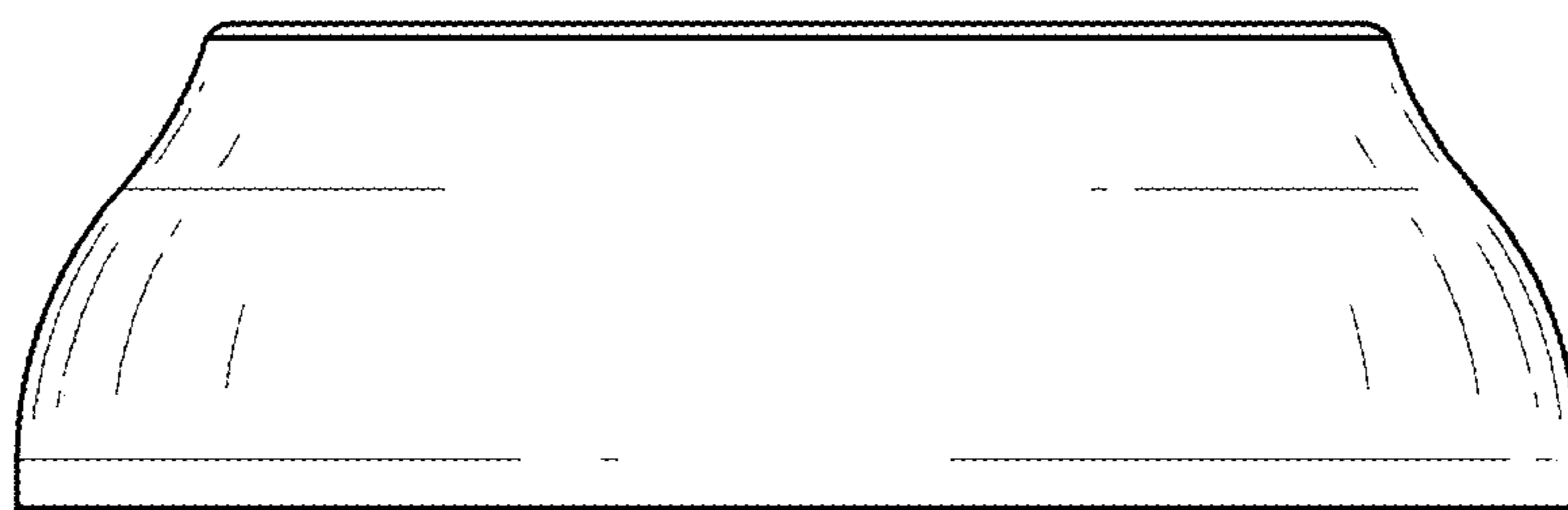


FIG. 15

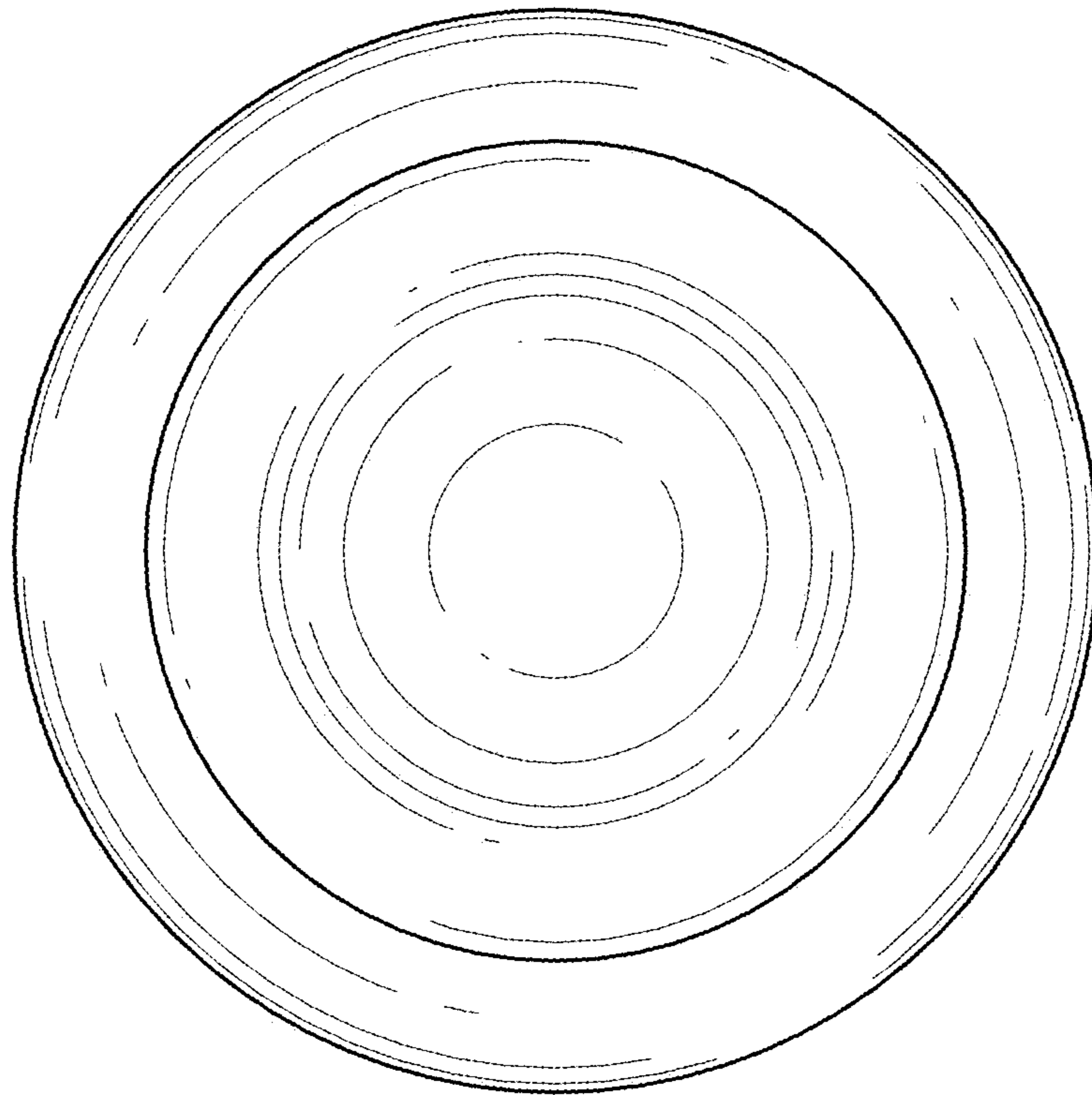


FIG. 16

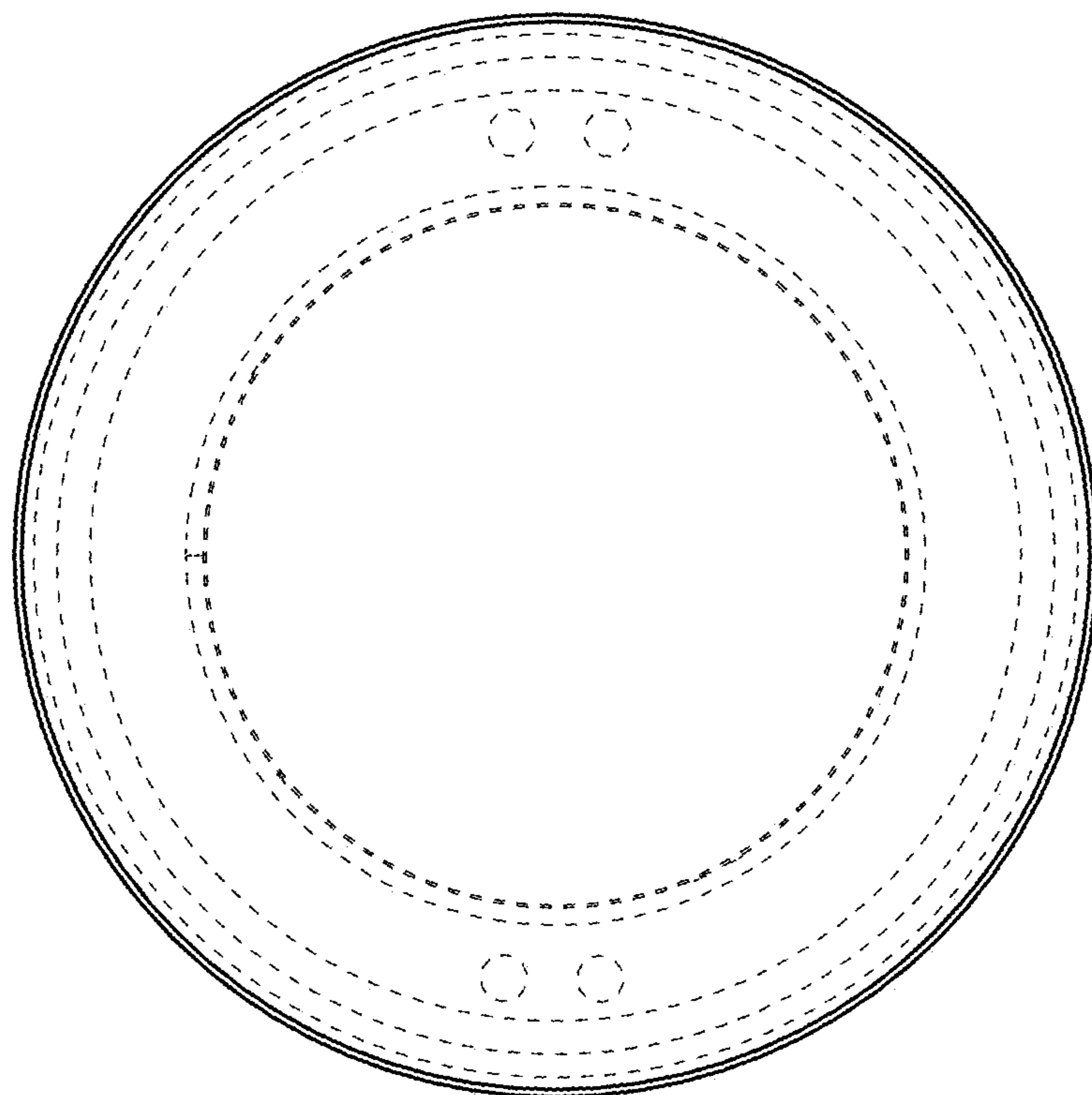


FIG. 17

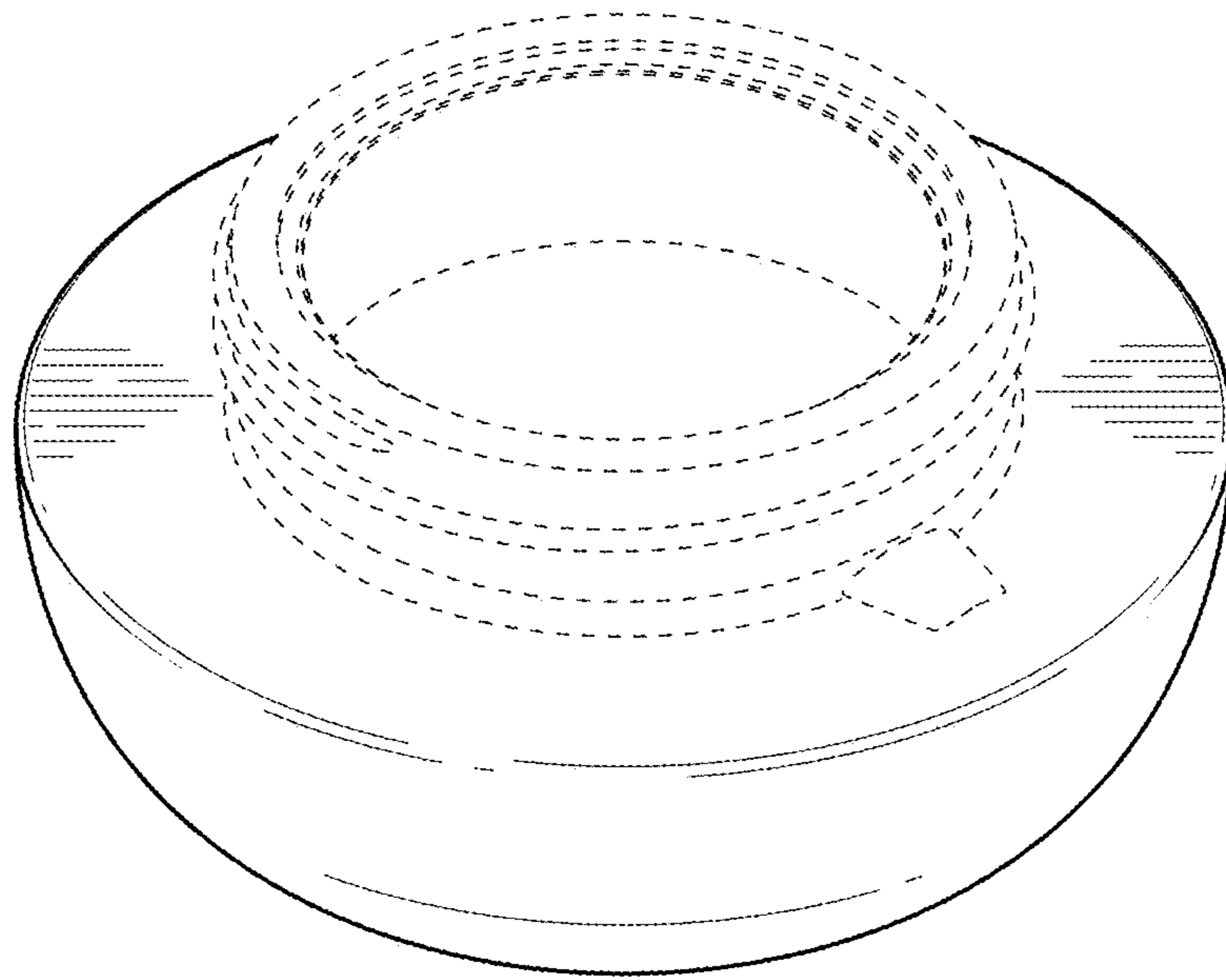


FIG. 18

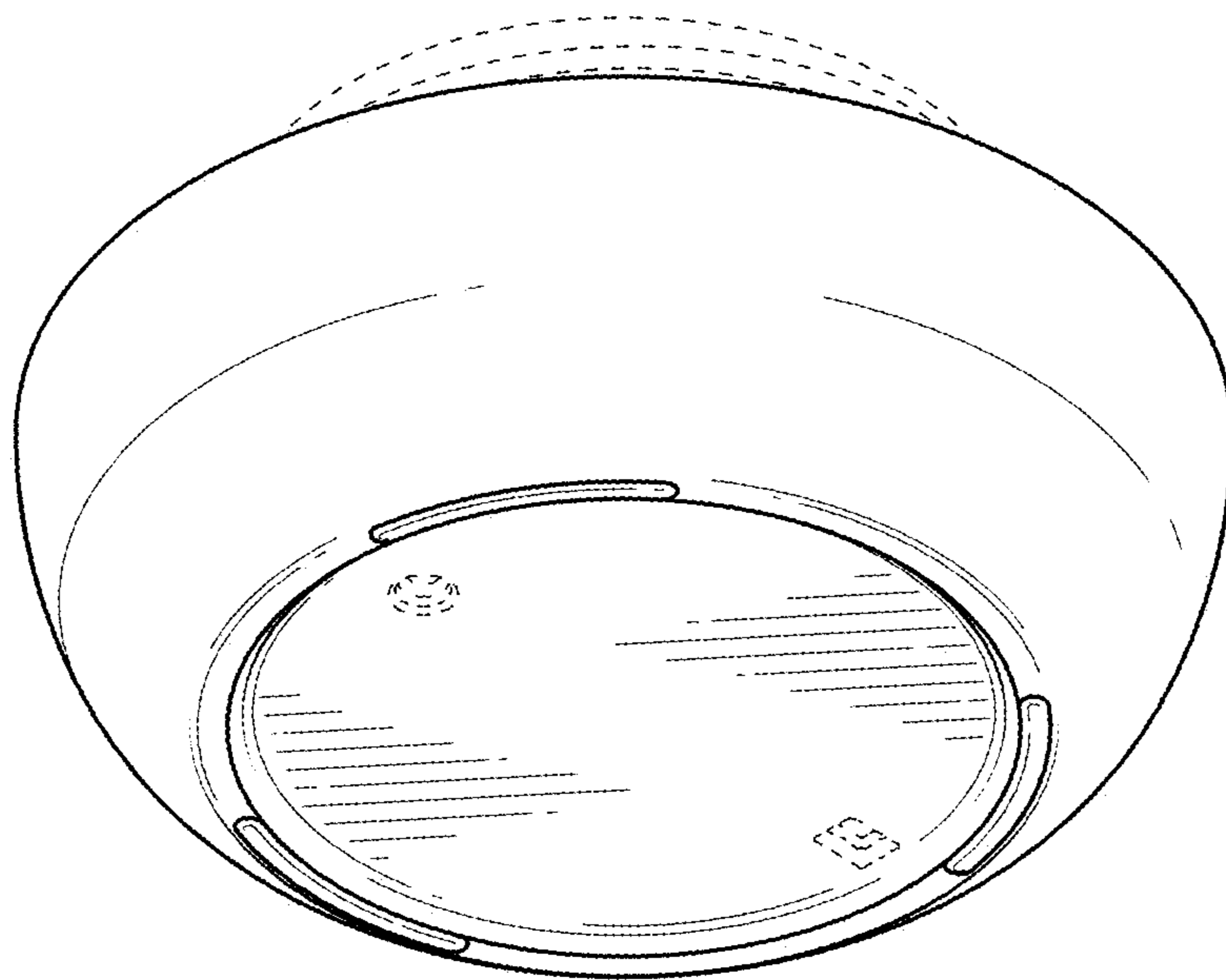


FIG. 19

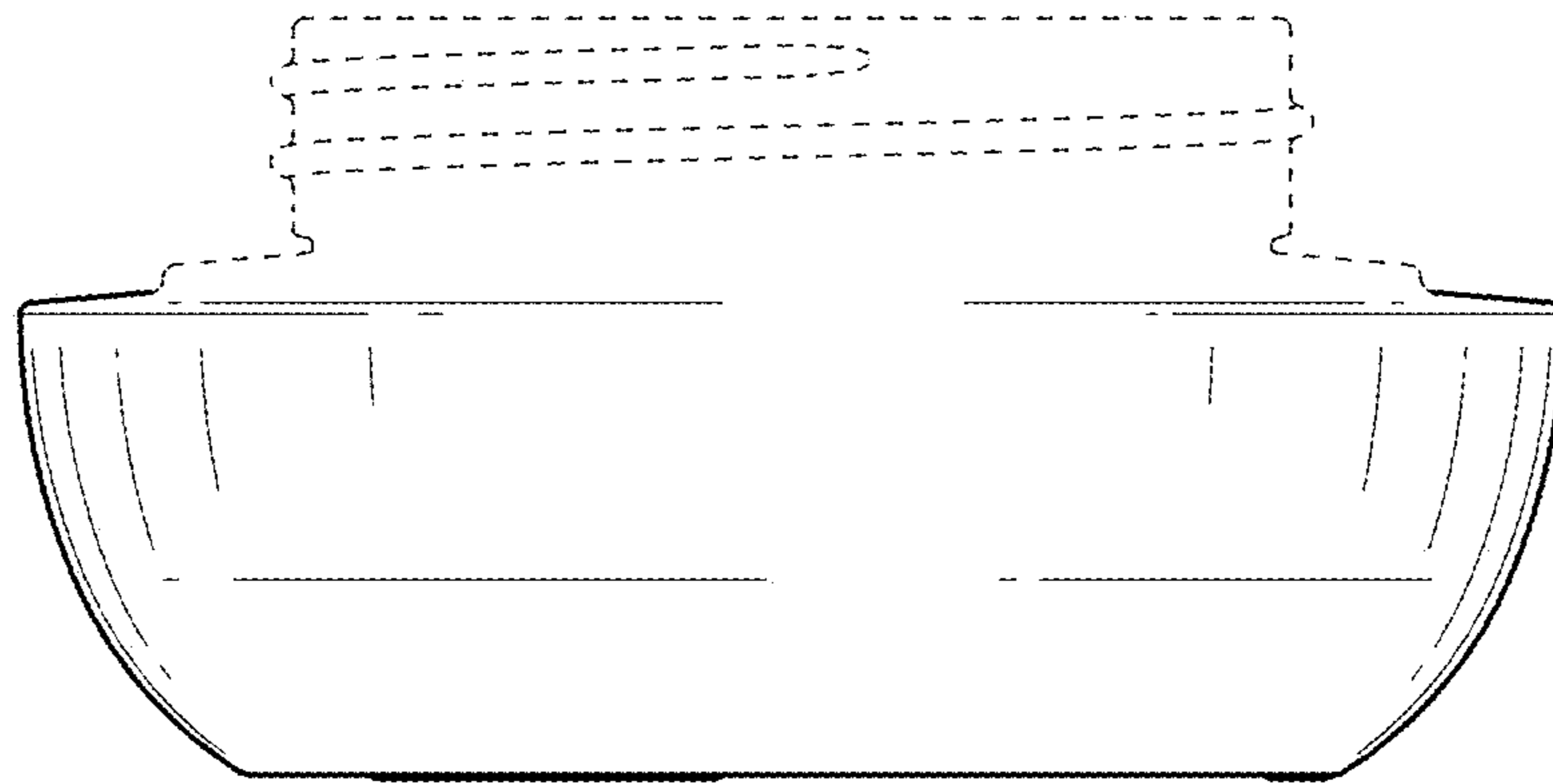


FIG. 20

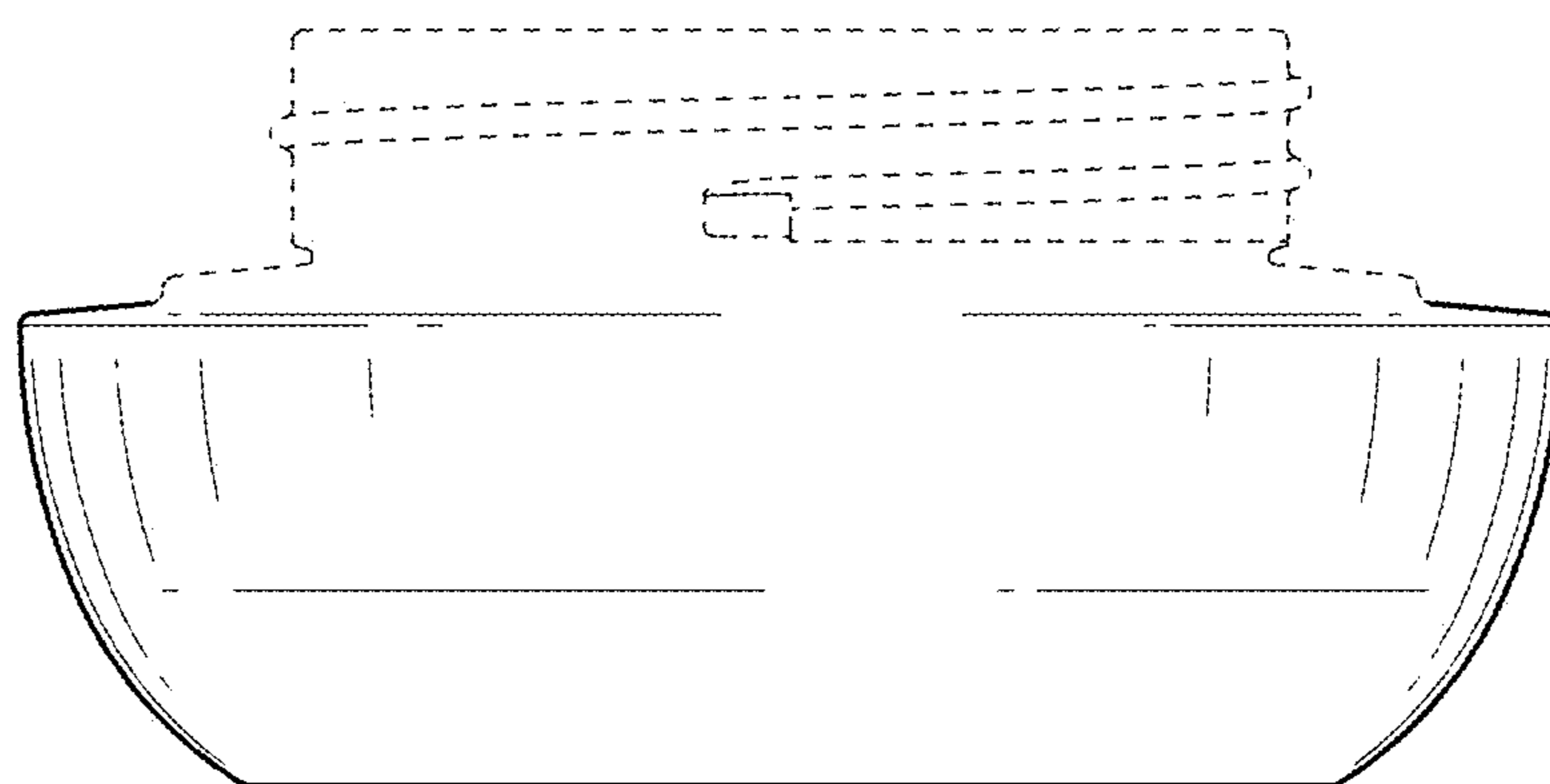


FIG. 21

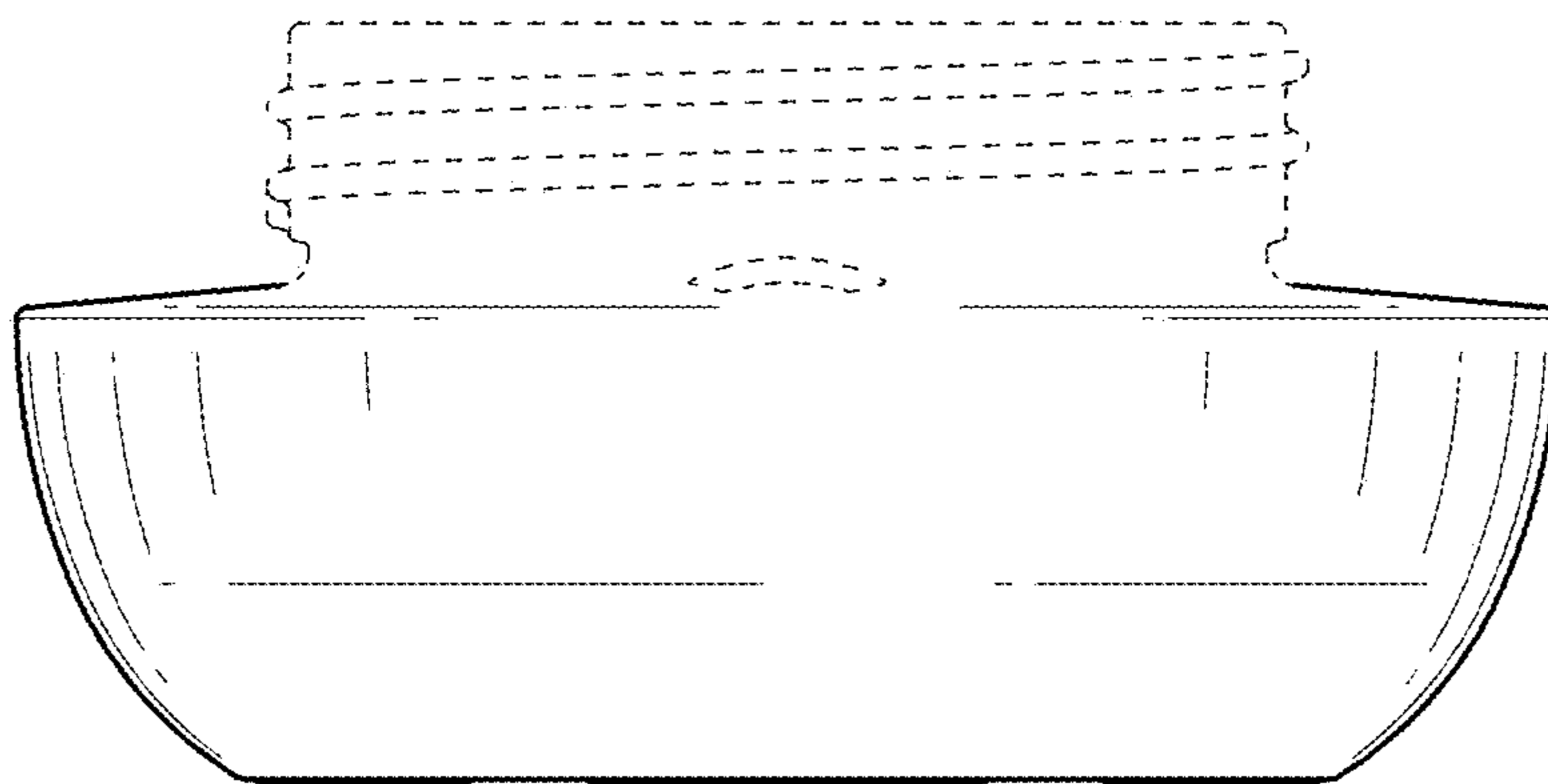


FIG. 22

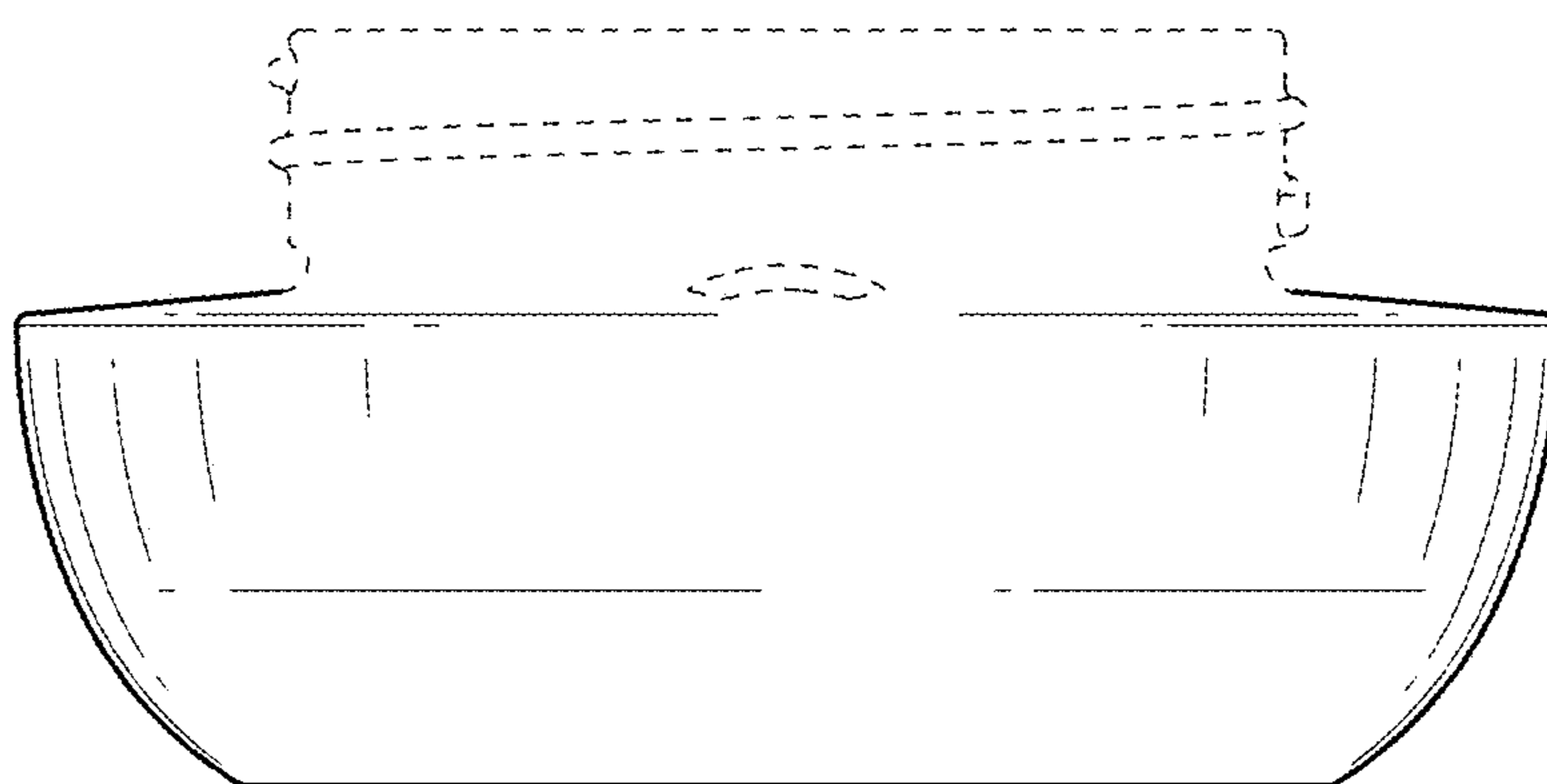


FIG. 23

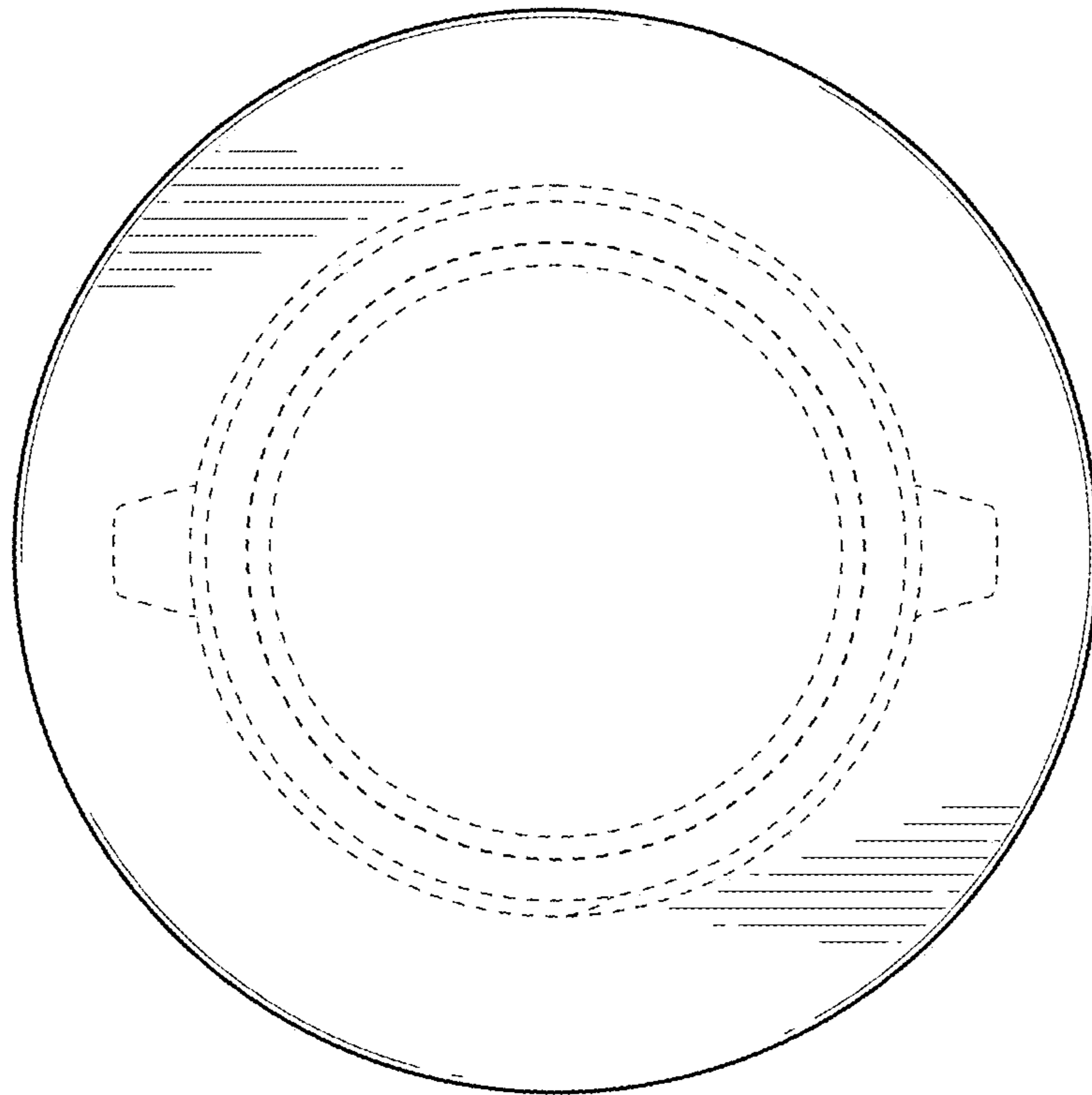


FIG. 24

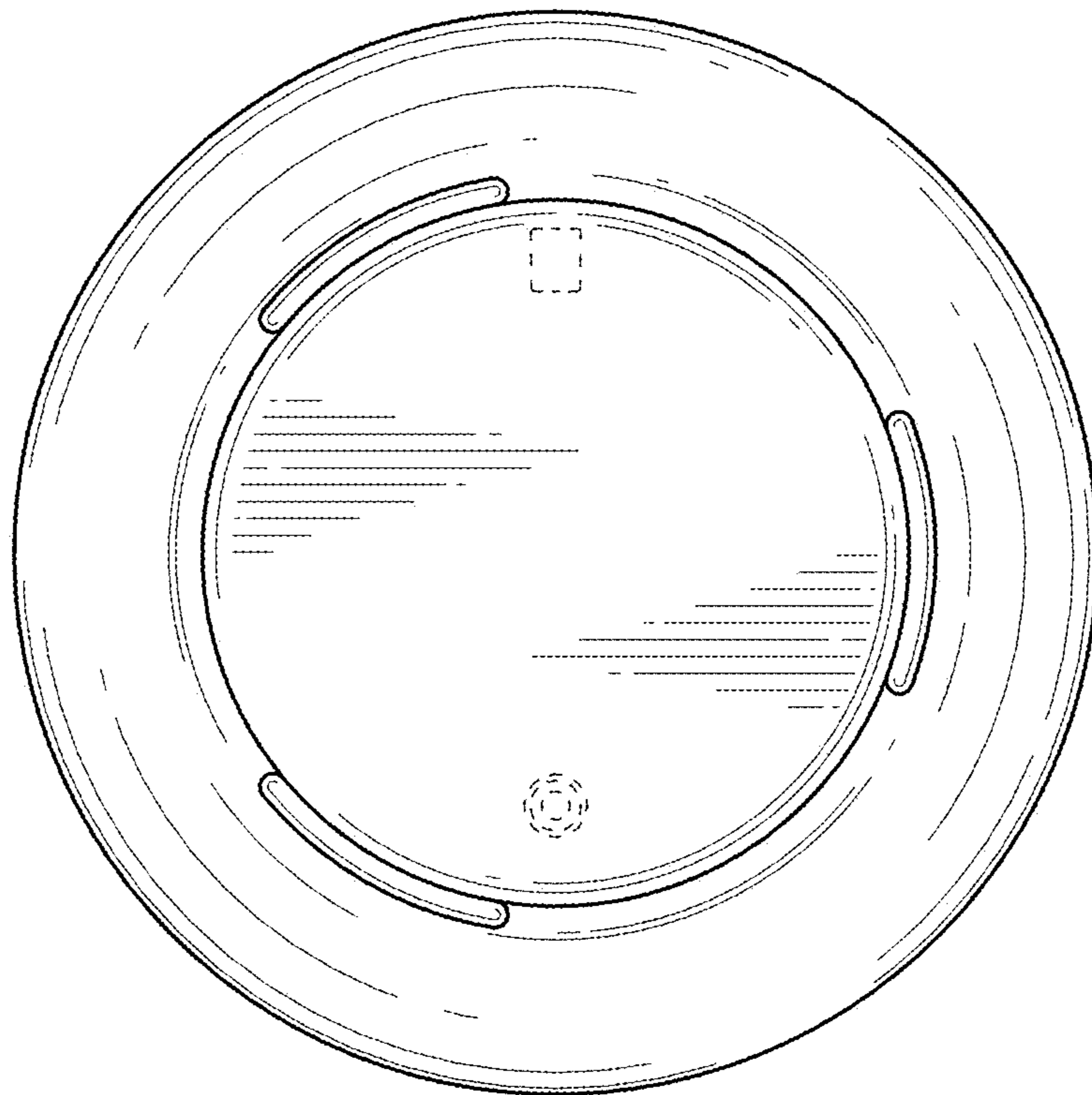


FIG. 25