



US00D886367S

(12) **United States Design Patent** (10) **Patent No.:** **US D886,367 S**
Harthoorn (45) **Date of Patent:** **** Jun. 2, 2020**

(54) **DISPENSER FOR CIGARETTE PAPER**

(56) **References Cited**

(71) Applicant: **FUTURE HOLDING B.V.**, Amsterdam (NL)

U.S. PATENT DOCUMENTS

(72) Inventor: **Jeroen Harthoorn**, Amsterdam (NL)

D279,508 S *	7/1985	Bauer	D27/194
D438,101 S *	2/2001	Koster	D9/432
D547,002 S *	7/2007	Lin	D27/194
D569,033 S *	5/2008	Parcevaux	D27/194
D754,921 S *	4/2016	Chaisty	D27/194
D799,742 S *	10/2017	Panian	D27/101
D819,264 S *	5/2018	Mykhaylovych	D27/101
D838,037 S *	1/2019	Ziga	D27/101

(73) Assignee: **FUTURE HOLDING B.V.**, Amsterdam (NL)

(**) Term: **15 Years**

* cited by examiner

(21) Appl. No.: **35/504,737**

Primary Examiner — Khawaja Anwar

(22) Filed: **Mar. 13, 2018**

(74) *Attorney, Agent, or Firm* — Donald J. Ranft; Collen

(80) **Hague Agreement Data**

(57) **CLAIM**

Int. Filing Date: **Mar. 13, 2018**

The ornamental design for a dispenser for cigarette paper, as shown and described.

Int. Reg. No.: **DM/100436**

Int. Reg. Date: **Mar. 13, 2018**

Int. Reg. Pub. Date: **Apr. 13, 2018**

DESCRIPTION

(51) **LOC (12) Cl.** **27-99**

1. Dispenser for cigarette paper

(52) **U.S. Cl.**

1.1 : Left

1.2 : Right

1.3 : Front

1.4 : Back

1.5 : Bottom

1.6 : Perspective

1.7 : Top

USPC **D27/194**

(58) **Field of Classification Search**

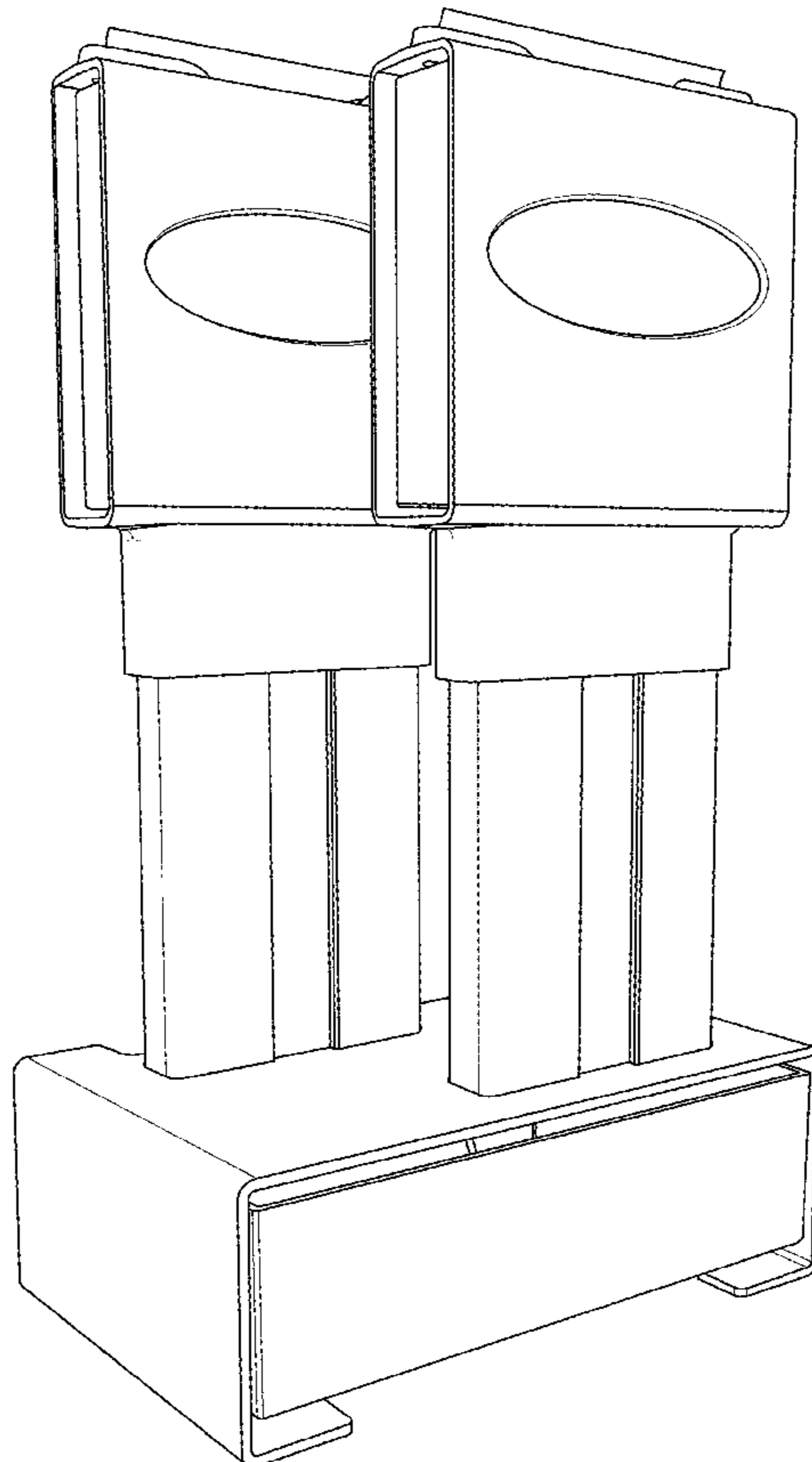
USPC D27/172, 183, 193, 194

CPC .. A24D 1/12; A24D 1/02; A24D 1/022; A24F

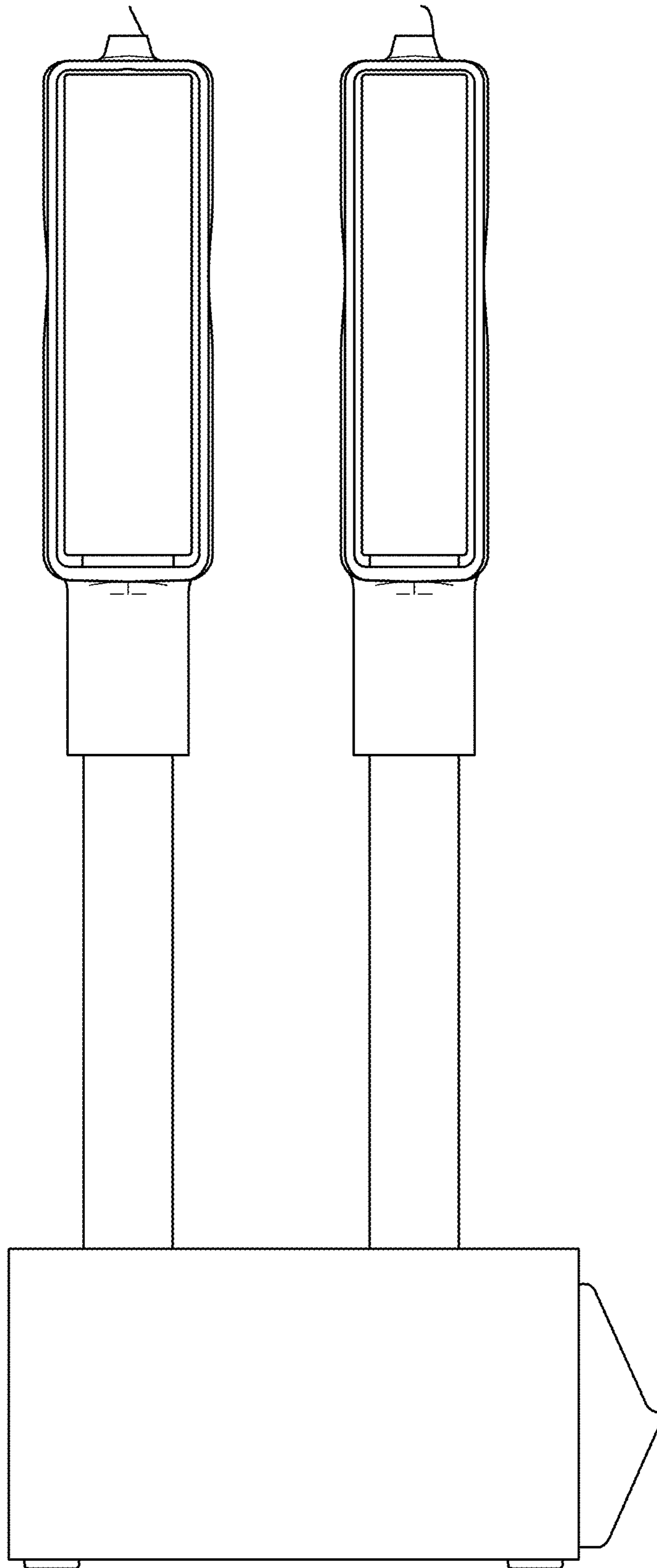
13/22; A24F 17/00

See application file for complete search history.

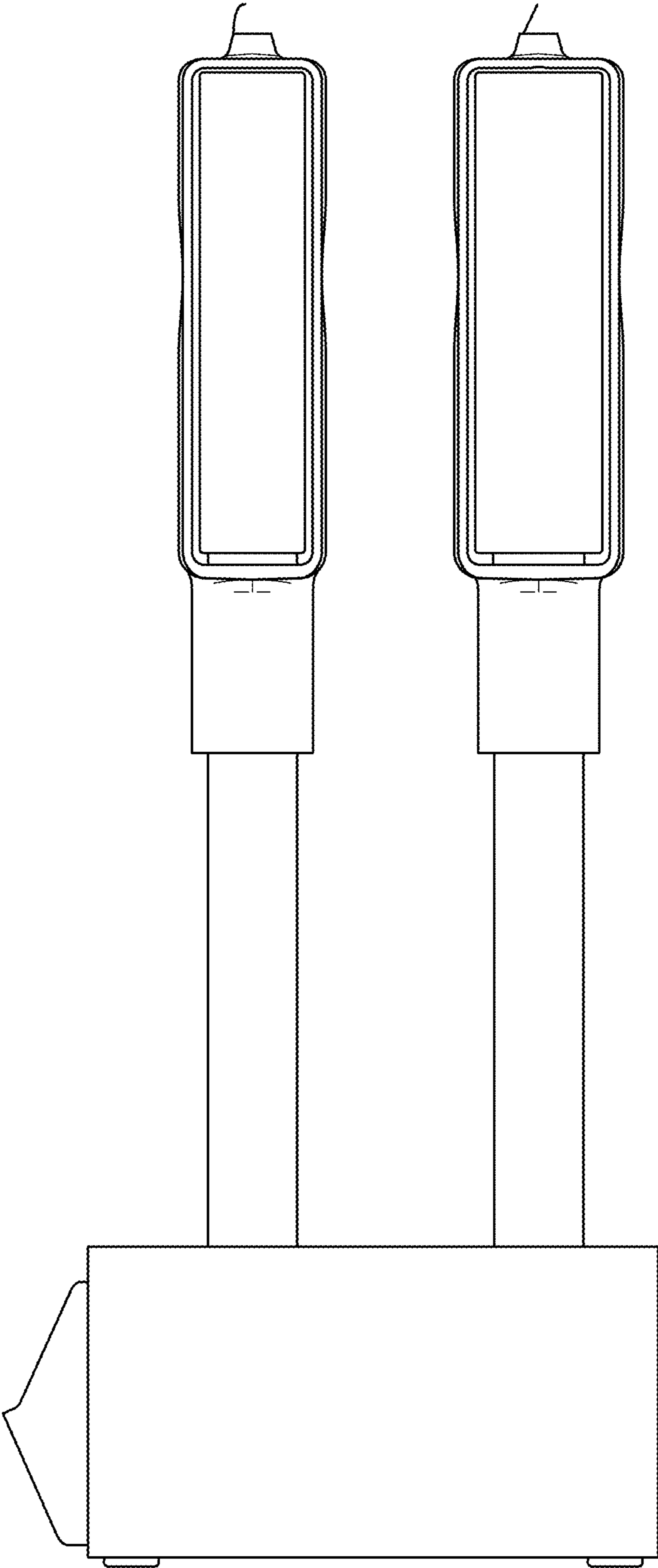
1 Claim, 7 Drawing Sheets



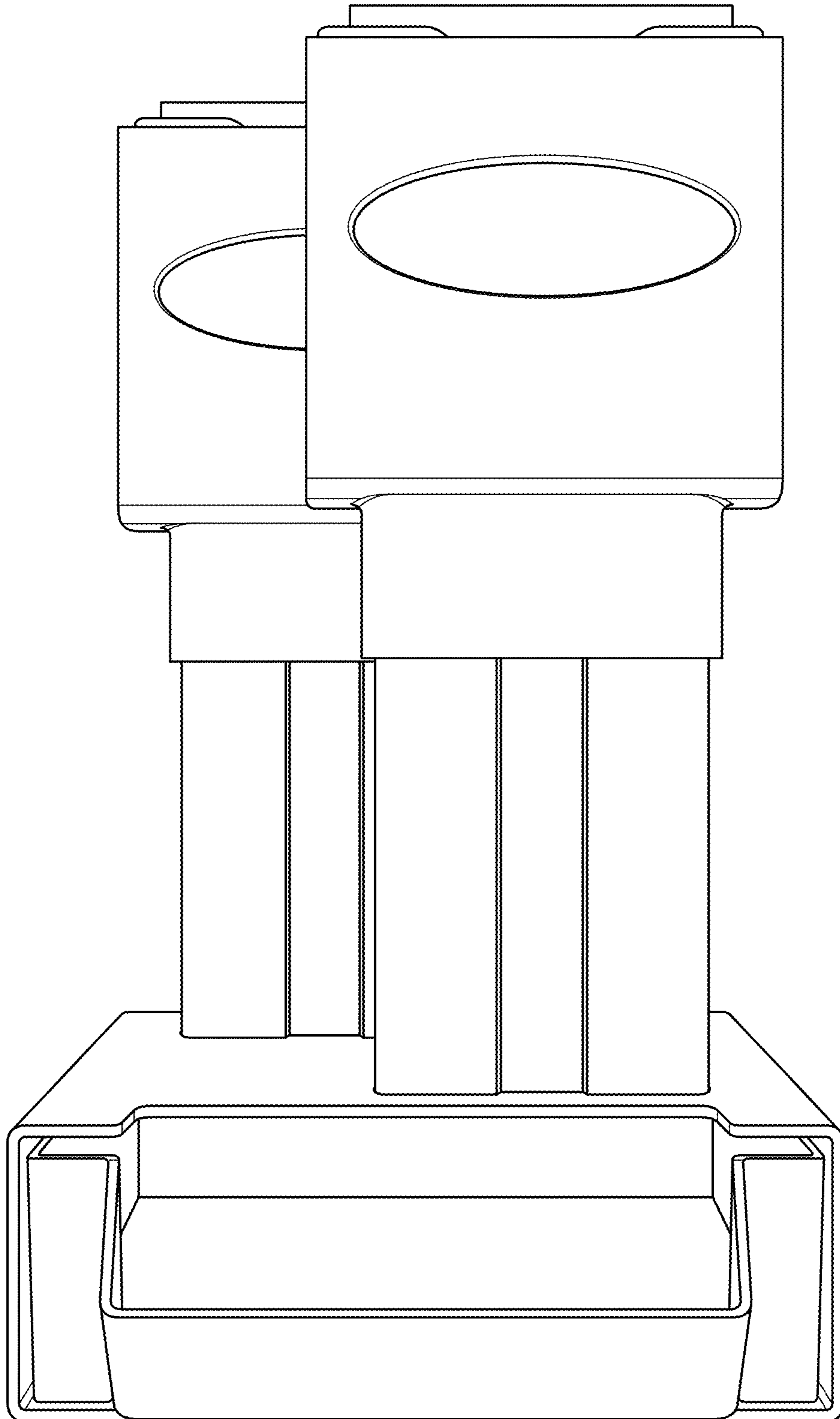
1.1



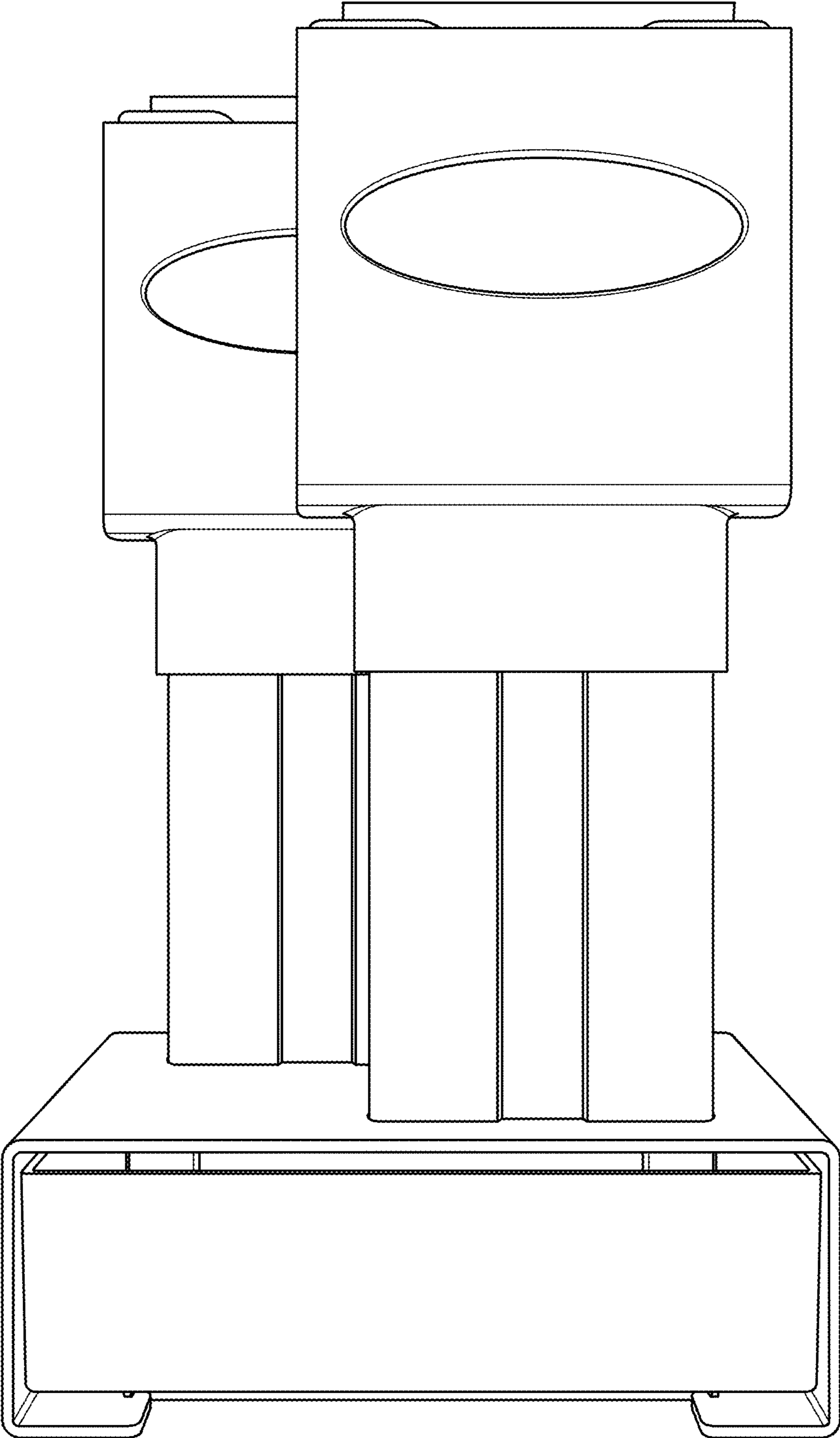
1.2



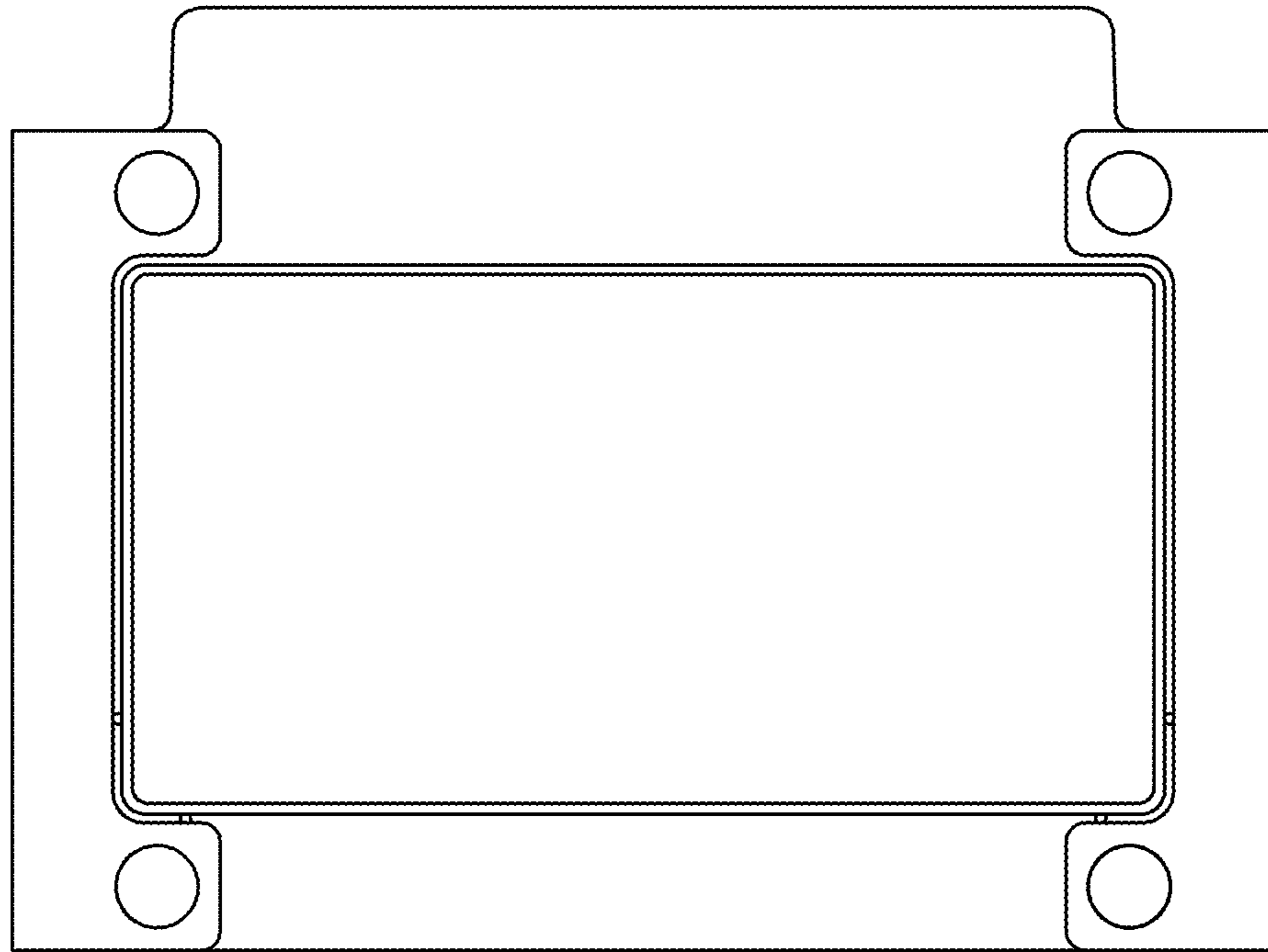
1.3



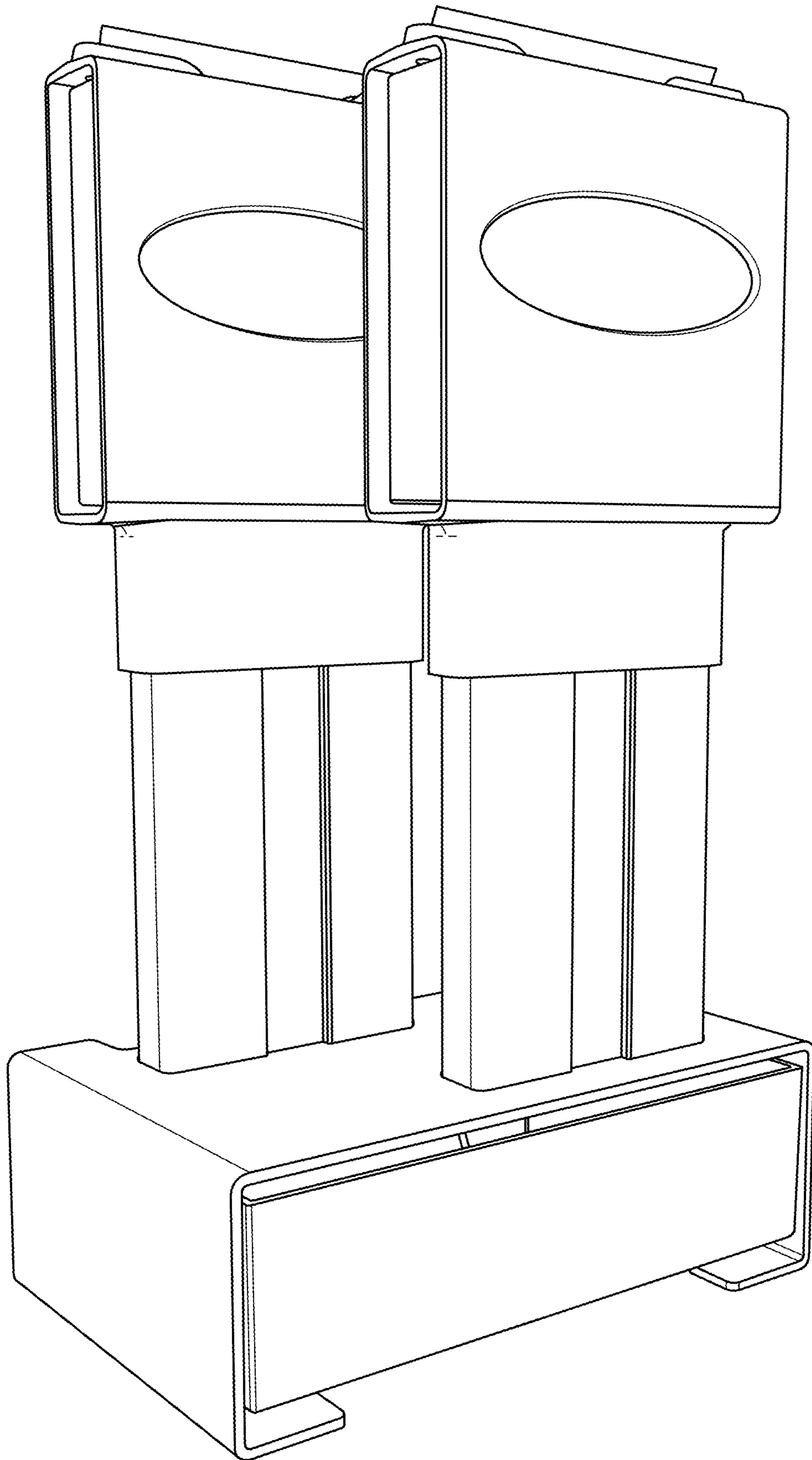
1.4



1.5



1.6



1.7

