



US00D886364S

(12) **United States Design Patent**
Greenberg et al.

(10) **Patent No.:** **US D886,364 S**

(45) **Date of Patent:** **** Jun. 2, 2020**

- (54) **CONNECTOR FOR ROD-LIKE LIGHTING ELEMENTS**
- (71) Applicant: **RUX LLC**, Long Island City, NY (US)
- (72) Inventors: **Russell Jon Greenberg**, New York, NY (US); **Christopher Eden-Marchant Beardsley**, Brooklyn, NY (US); **Minchul Hong**, New York, NY (US)
- (73) Assignee: **Stickbulb LLC**, Long Island City, NY (US)

D481,158 S *	10/2003	Cline	D26/138
D600,854 S *	9/2009	Yuan	D26/141
D623,786 S *	9/2010	Wessel	D26/49
D800,958 S *	10/2017	Sonneman	D26/138
D802,832 S *	11/2017	Soofer	D26/138
D804,704 S *	12/2017	Xia	D26/107
D807,560 S *	1/2018	Jones	D26/81
D815,337 S *	4/2018	Mirchandani	D26/138
D816,263 S *	4/2018	Chang	D26/138
D838,895 S *	1/2019	Huang	D26/93
D859,721 S *	9/2019	Velez	D26/81
D860,507 S *	9/2019	Greenberg	D26/88
D860,510 S *	9/2019	Greenberg	D26/91

* cited by examiner

(**) Term: **15 Years**

(21) Appl. No.: **29/644,642**

(22) Filed: **Apr. 19, 2018**

Related U.S. Application Data

(62) Division of application No. 14/283,092, filed on May 20, 2014, now Pat. No. 10,386,046.

(51) **LOC (12) Cl.** **26-05**

(52) **U.S. Cl.**
USPC **D26/138**

(58) **Field of Classification Search**
USPC D26/72, 74, 76, 78-83, 85, 86, 88, 90, D26/93, 111, 113, 118, 119, 120, 121, D26/122, 138, 139, 140, 141, 142, 152
CPC F21S 2/00; F21S 4/00; F21S 4/003; F21S 4/005; F21S 4/006; F21S 4/007; F21S 4/008; F21S 6/00; F21S 8/00; F21S 8/024; F21S 8/026; F21S 8/031; F21S 8/033; F21S 8/035-037; F21S 8/04; F21S 8/043; F21S 8/063

See application file for complete search history.

(56) **References Cited**

U.S. PATENT DOCUMENTS

D387,459 S *	12/1997	Cool	D26/68
D458,705 S *	6/2002	Antonio	D26/138

Primary Examiner — Natasha Vujcic

(74) *Attorney, Agent, or Firm* — Pryor Cashman LLP; Andrew S. Langsam

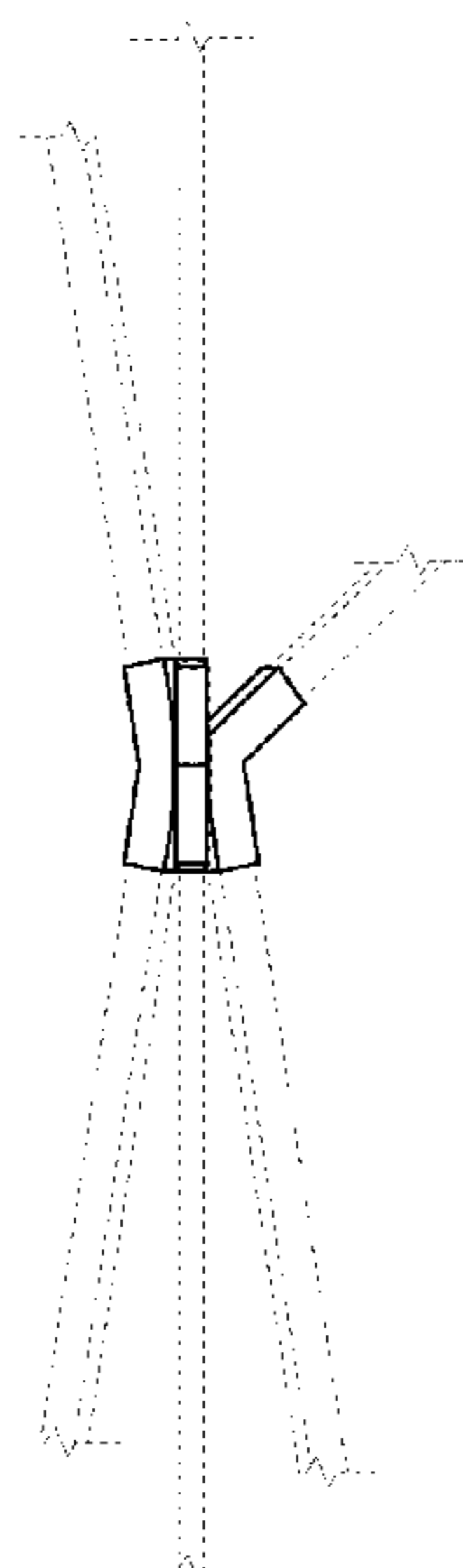
(57) **CLAIM**

The ornamental design for a connector for rod-like lighting elements, as shown and described.

DESCRIPTION

FIG. 1 is a left side view of the connector for rod-like lighting elements;
 FIG. 2 is a front view of the present invention, a connector for rod-like lighting elements;
 FIG. 3 is a right side view of the present invention, a connector for rod-like lighting elements;
 FIG. 4 is a back view of the present invention, a connector for rod-like lighting elements;
 FIG. 5 is a top plan view of the present invention, a connector for rod-like lighting elements;
 FIG. 6 is a bottom plan view of the present invention, a connector for rod-like lighting elements; and,
 FIG. 7 is a perspective view of the present invention, a connector for rod-like lighting elements.

1 Claim, 7 Drawing Sheets



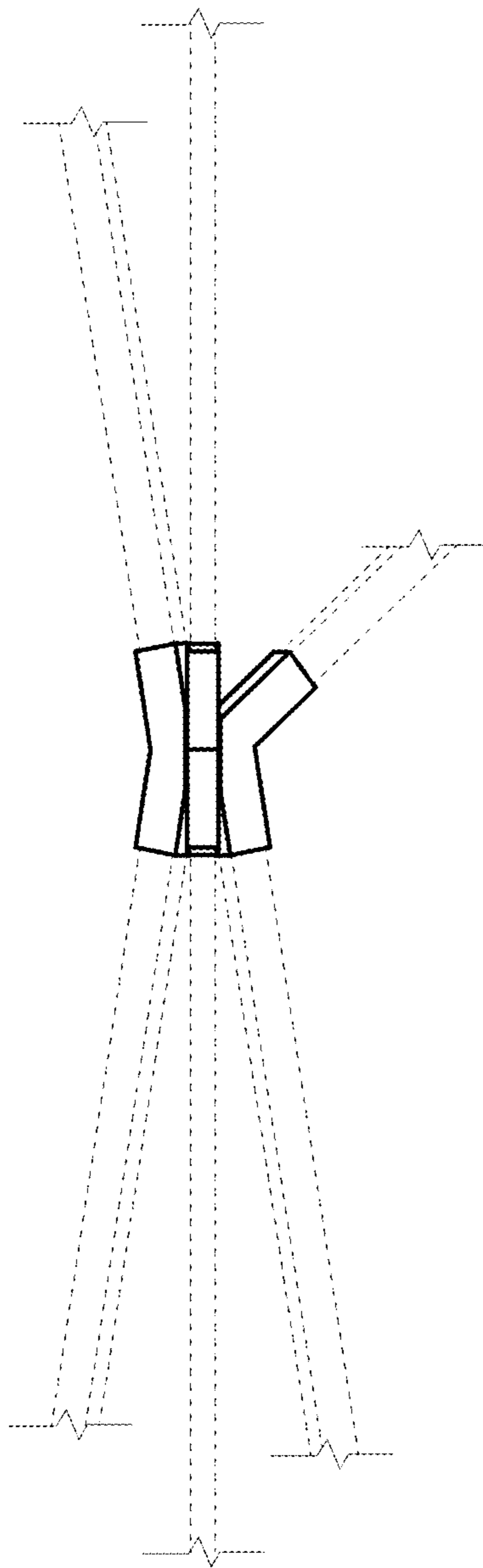


FIG.1

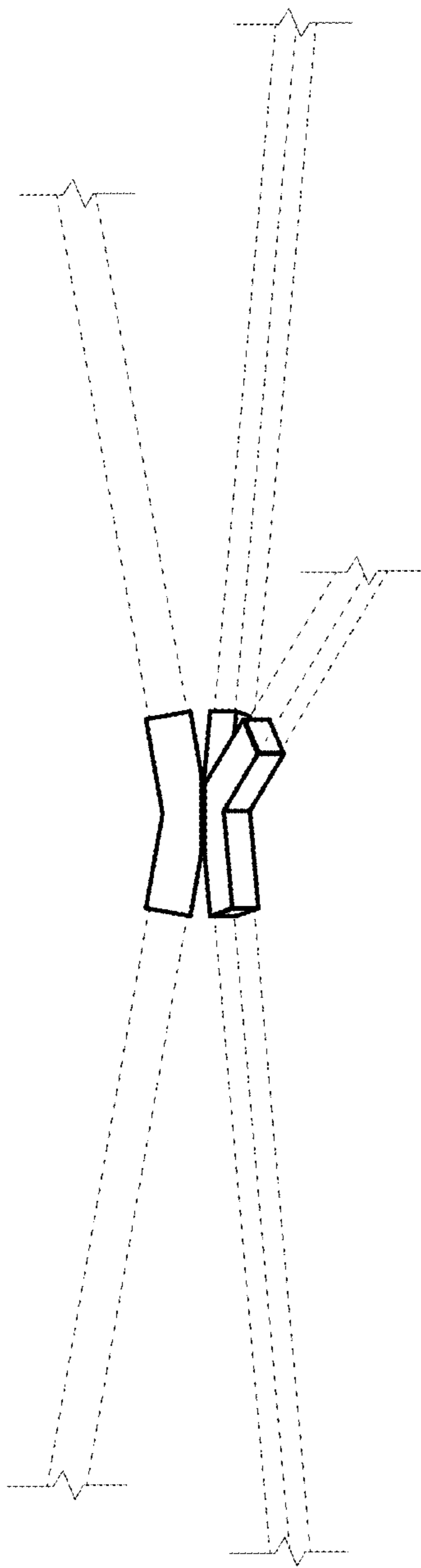


FIG.2

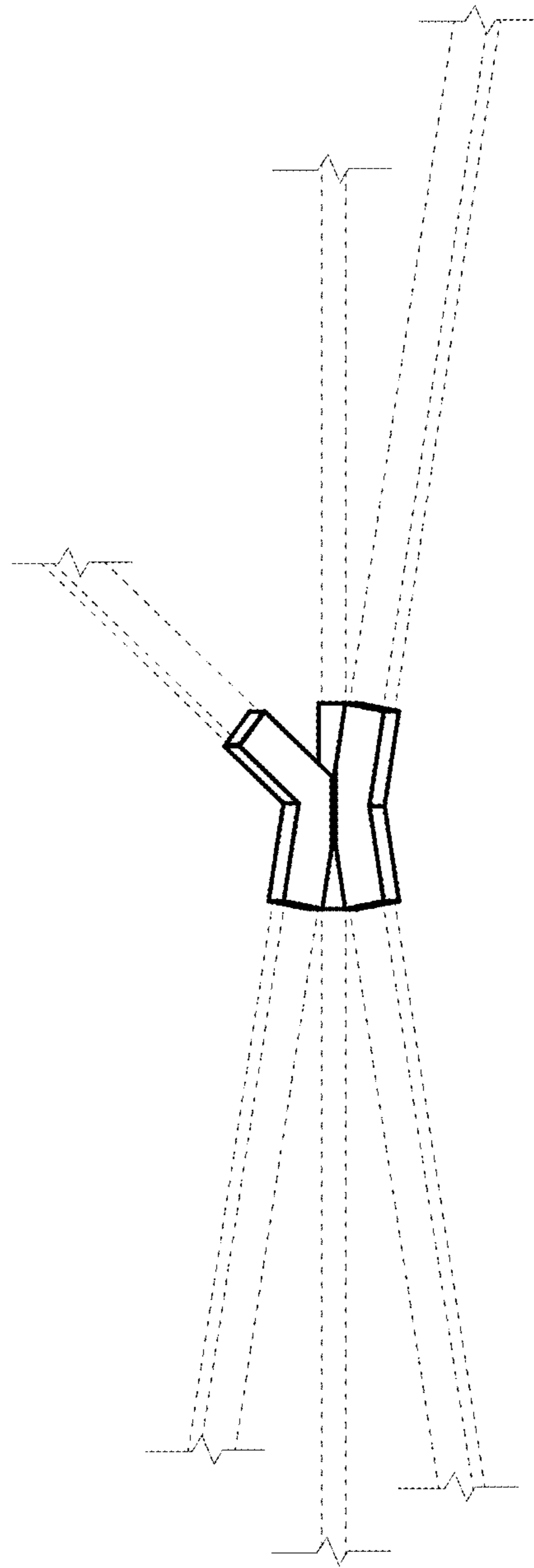


FIG.3

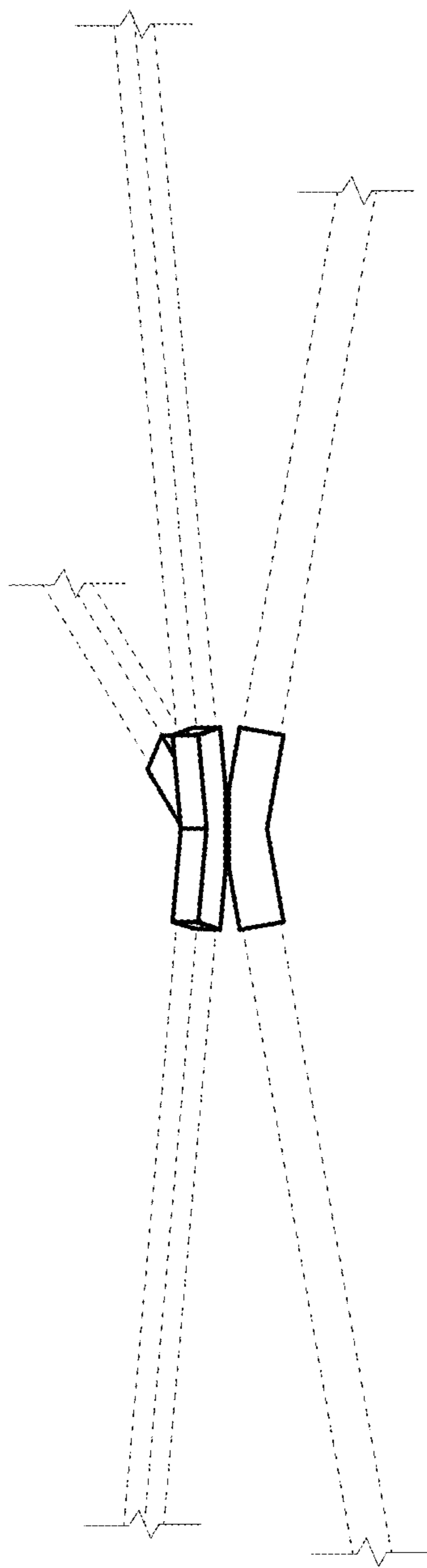


FIG.4

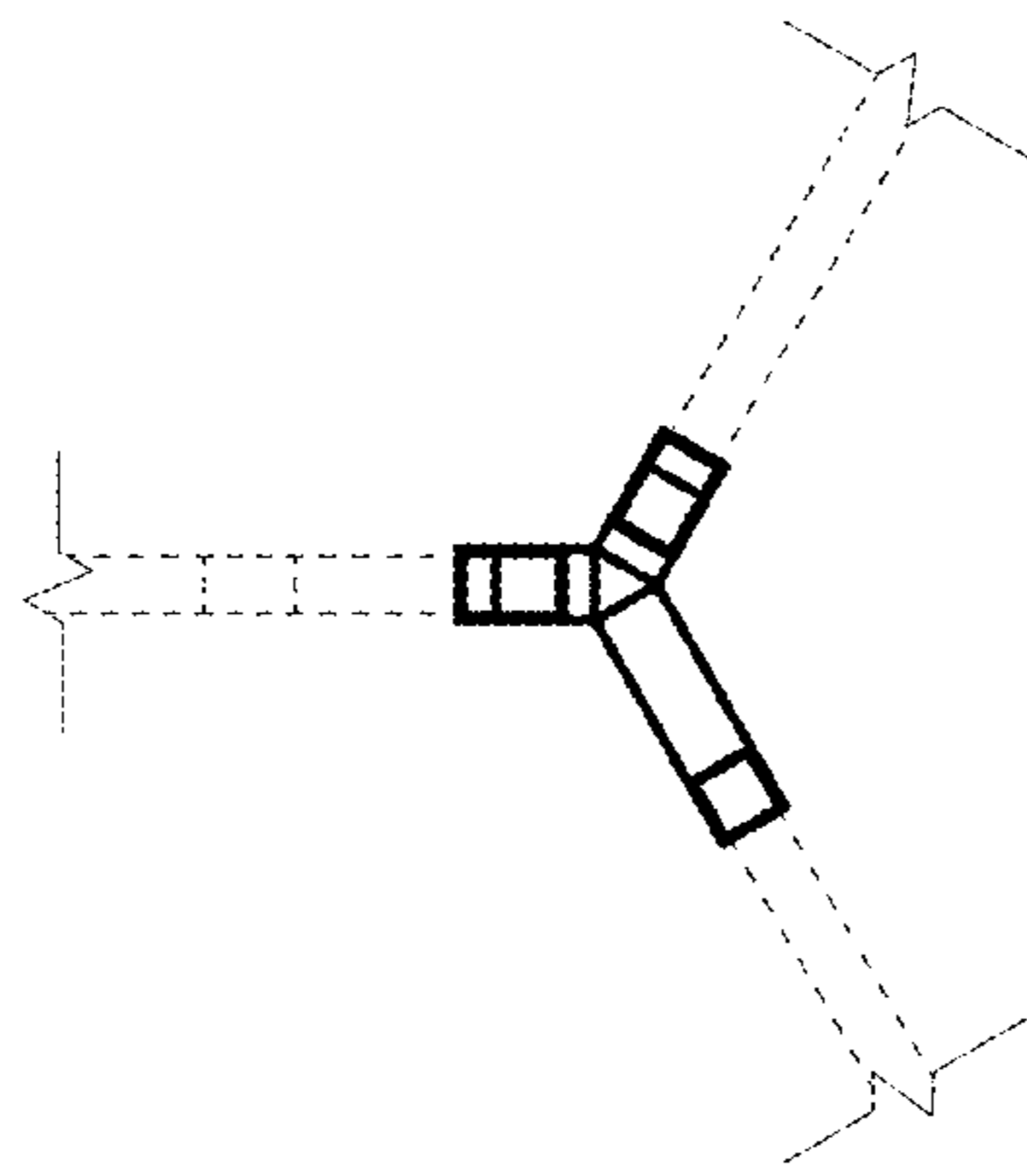


FIG.5

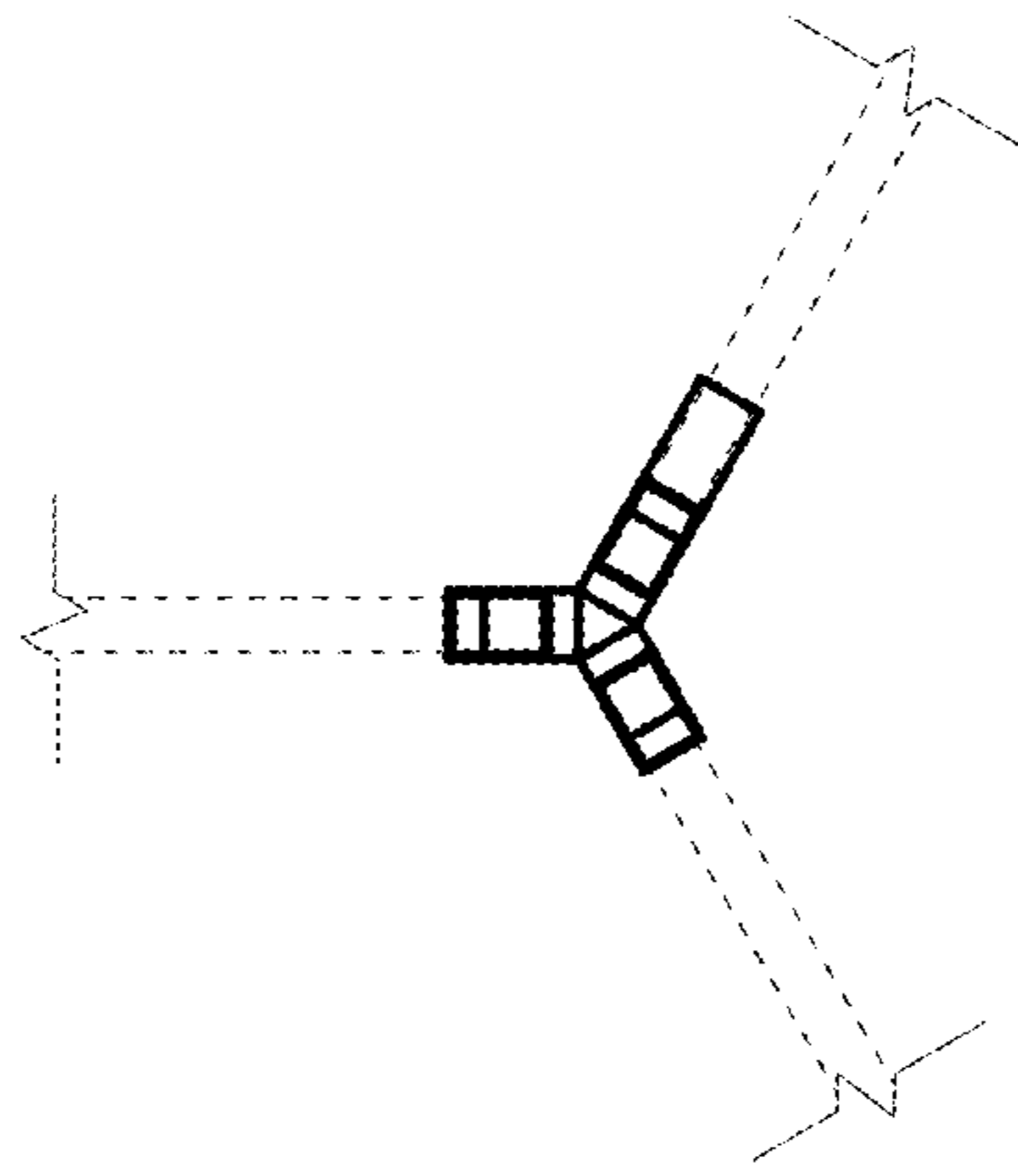


FIG.6

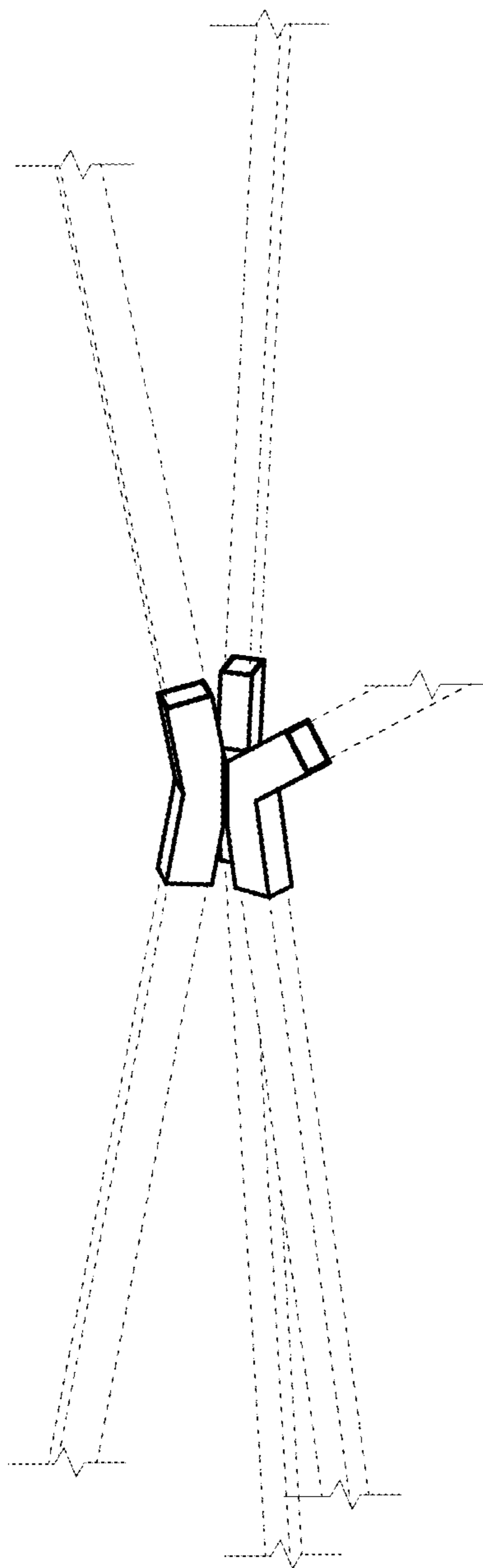


FIG.7