



US00D886363S

(12) **United States Design Patent**  
**Chami et al.**

(10) **Patent No.:** **US D886,363 S**  
(45) **Date of Patent:** **\*\* Jun. 2, 2020**

- (54) **LIGHTING ELEMENT FOR LUMINAIRE**
- (71) Applicant: **MAXLITE, INC.**, West Caldwell, NJ (US)
- (72) Inventors: **Aymen Chami**, Hackettstown, NJ (US);  
**Eric Clohosey**, East Rutherford, NJ (US)
- (73) Assignee: **MAXLITE, INC.**, West Caldwell, NJ (US)

D348,744 S *	7/1994	Johnson	.....	D26/63
D389,268 S *	1/1998	Kay	.....	D26/118
D519,662 S *	4/2006	Mullen	.....	D26/61
D560,838 S *	1/2008	Monroe	.....	D26/63
D659,871 S *	5/2012	Lee	.....	D26/63
D757,968 S *	5/2016	Olson	.....	D26/28
D818,171 S *	5/2018	Brynjolfsson	.....	D26/63
D827,691 S *	9/2018	Zhong	.....	D16/203
2006/0193138 A1 *	8/2006	Montefusco	.....	F21V 11/00 362/359
2017/0219188 A1 *	8/2017	Veloskey	.....	F21V 19/02

(\*\*) Term: **15 Years**

(21) Appl. No.: **29/646,700**

(22) Filed: **May 7, 2018**

(51) **LOC (12) Cl.** ..... **26-05**

(52) **U.S. Cl.**  
USPC ..... **D26/118**

(58) **Field of Classification Search**  
USPC .... D16/202, 203; D26/63, 67, 68, 118, 128,  
D26/138  
CPC .... F21S 8/003; F21S 8/08; F21S 8/081; F21S  
8/083; F21S 9/03; F21S 9/032; F21S  
9/035; F21S 9/037; F21S 10/007; F21V  
21/0824; F21V 21/26; F21V 21/30;  
F21W 2121/004; F21W 2121/006; F21W  
2121/008; F21W 2131/10; F21W  
2131/109; G02B 27/20; G03B 21/56  
See application file for complete search history.

(56) **References Cited**

**U.S. PATENT DOCUMENTS**

D258,314 S *	2/1981	Leon	.....	D26/63
4,882,667 A *	11/1989	Skegin	.....	F21V 21/34 362/373

\* cited by examiner

*Primary Examiner* — Leanne Was-Englehart

(74) *Attorney, Agent, or Firm* — Budzyn IP Law, LLC

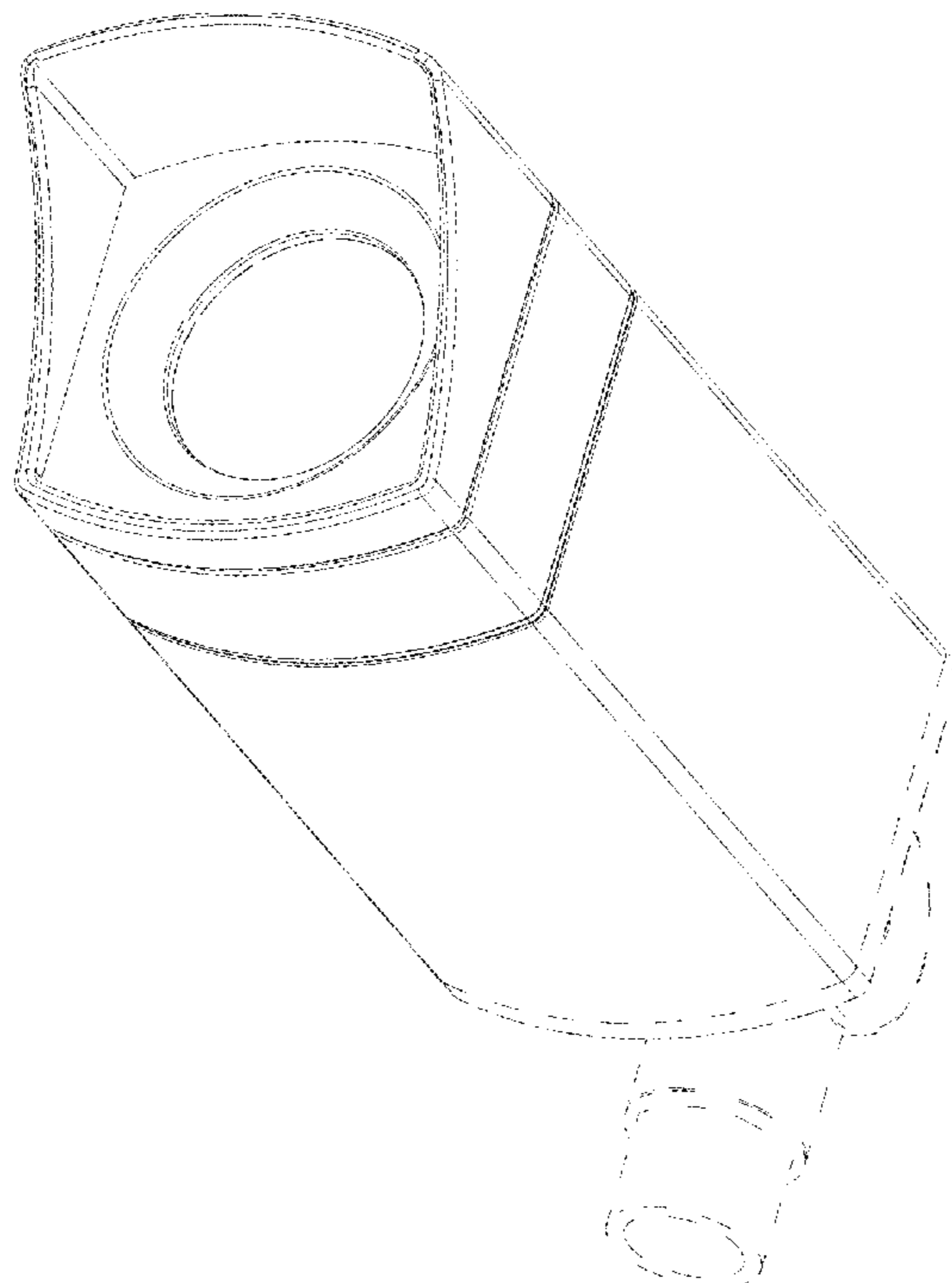
(57) **CLAIM**

The ornamental design for a lighting element for luminaire, as shown and described.

**DESCRIPTION**

FIG. 1 is a front, upward perspective view of a lighting element for luminaire;  
FIG. 2 is a front, downward perspective view thereof;  
FIG. 3 is a left side elevational view thereof;  
FIG. 4 is a right side elevational view thereof;  
FIG. 5 is a front elevational view thereof;  
FIG. 6 is a rear elevational view thereof;  
FIG. 7 is a top plan view thereof; and,  
FIG. 8 is a bottom plan view thereof.  
The broken lines in the Figures are included for the purpose of illustrating unclaimed portions of the lighting element for luminaire and form no part of the claimed design.

**1 Claim, 8 Drawing Sheets**



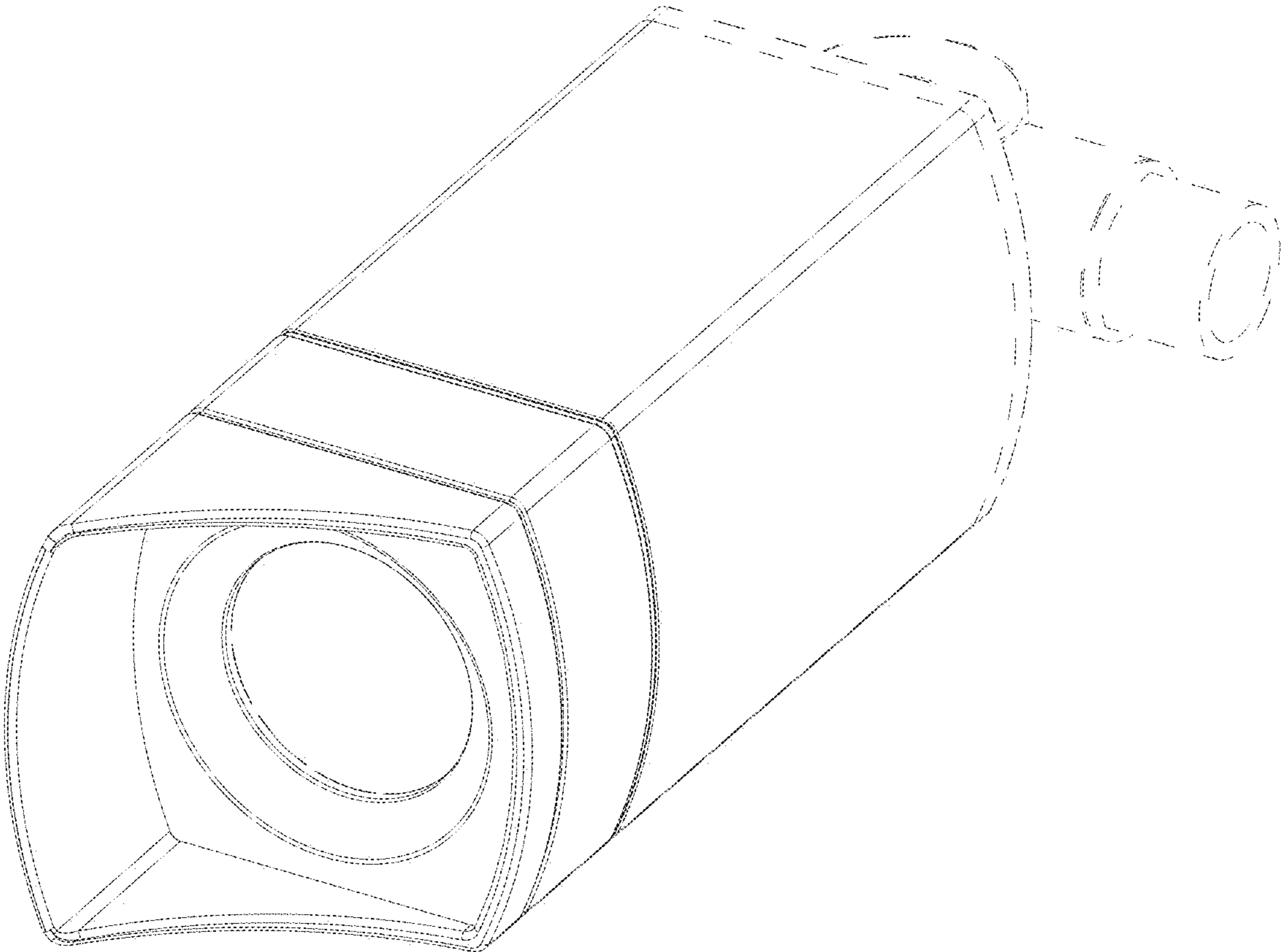


FIG. 1

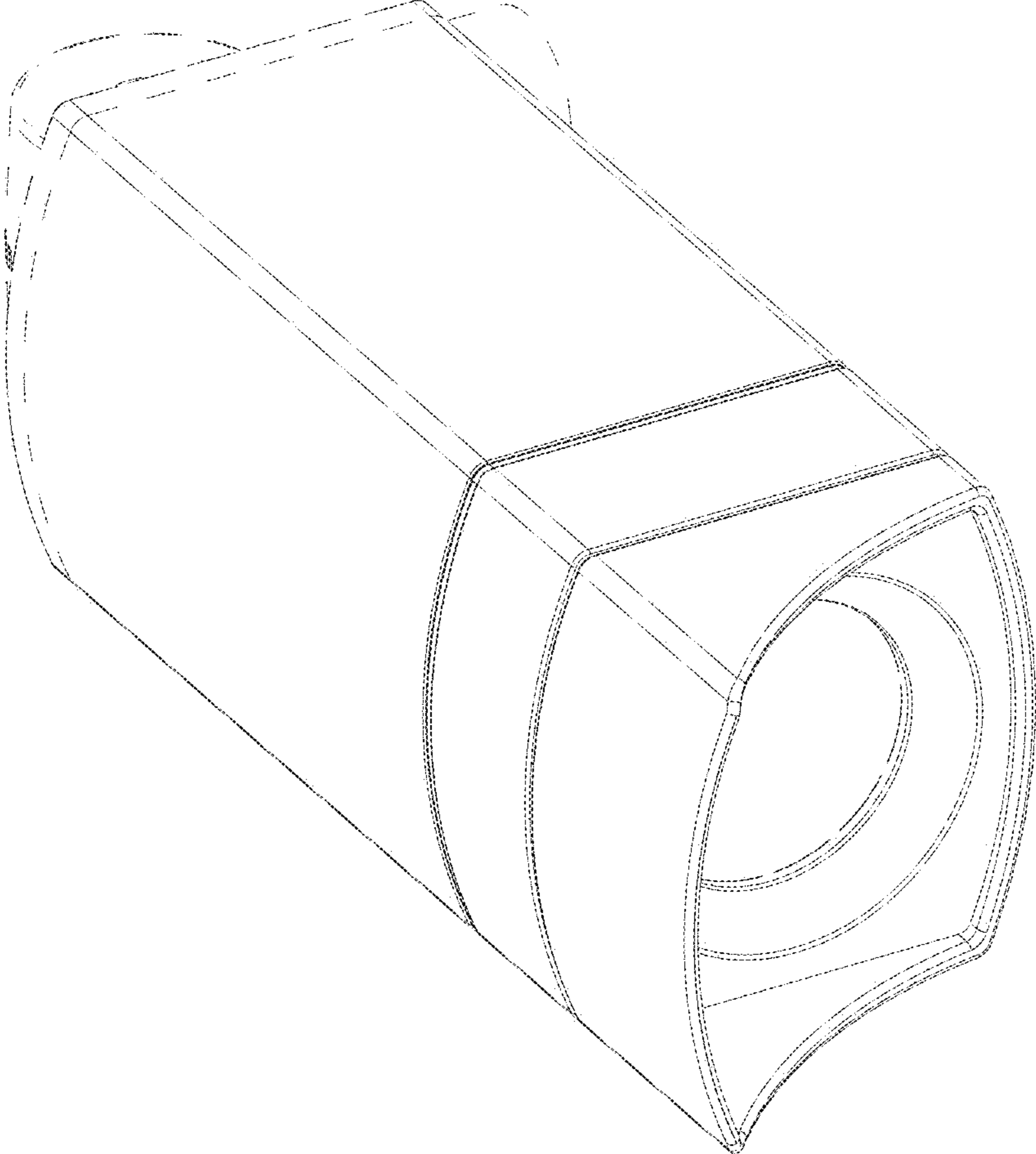


FIG. 2

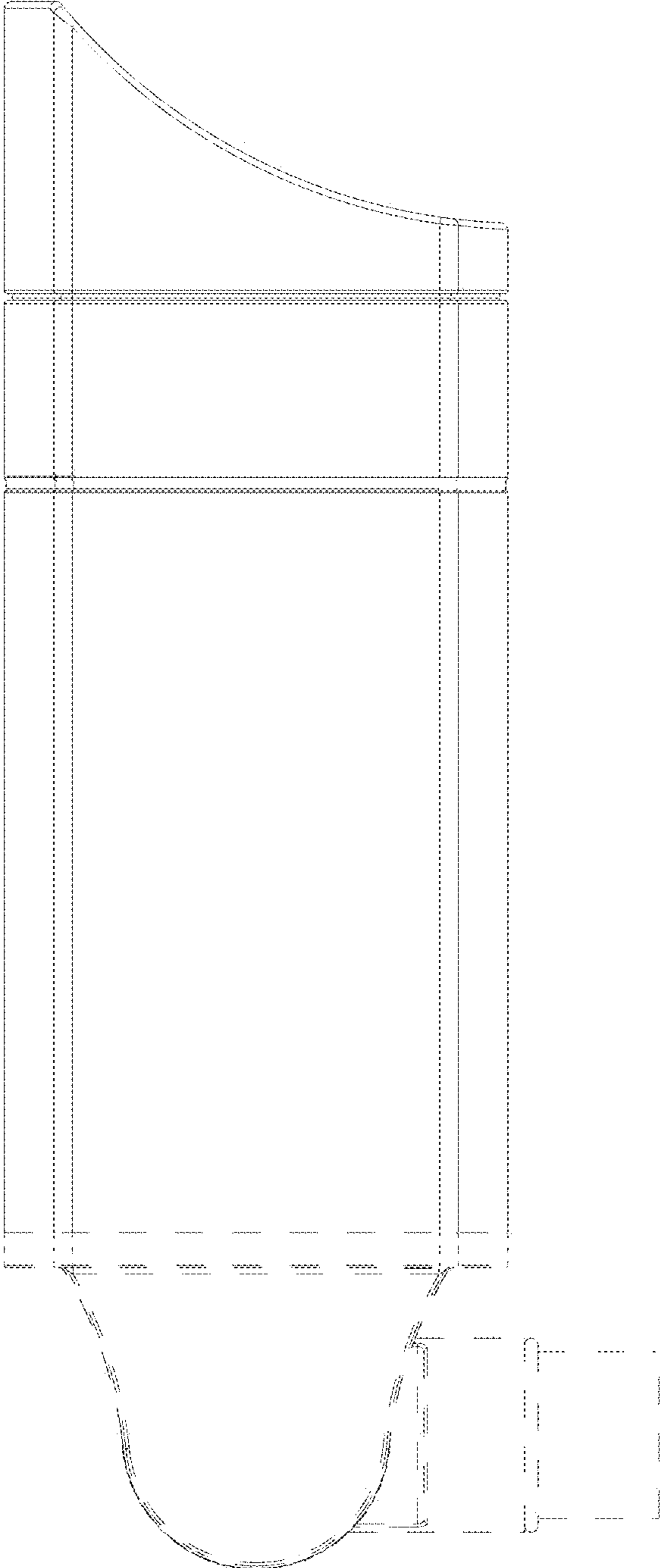


FIG. 3

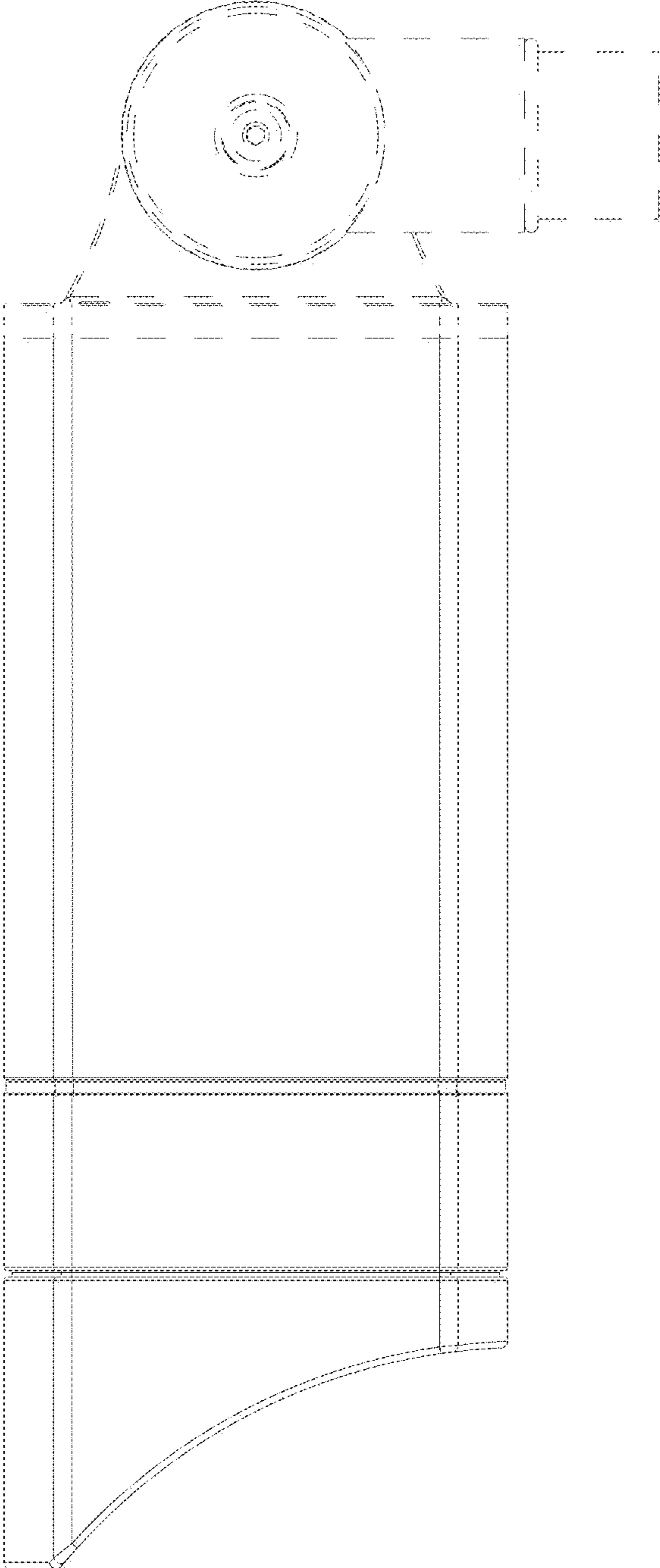


FIG. 4

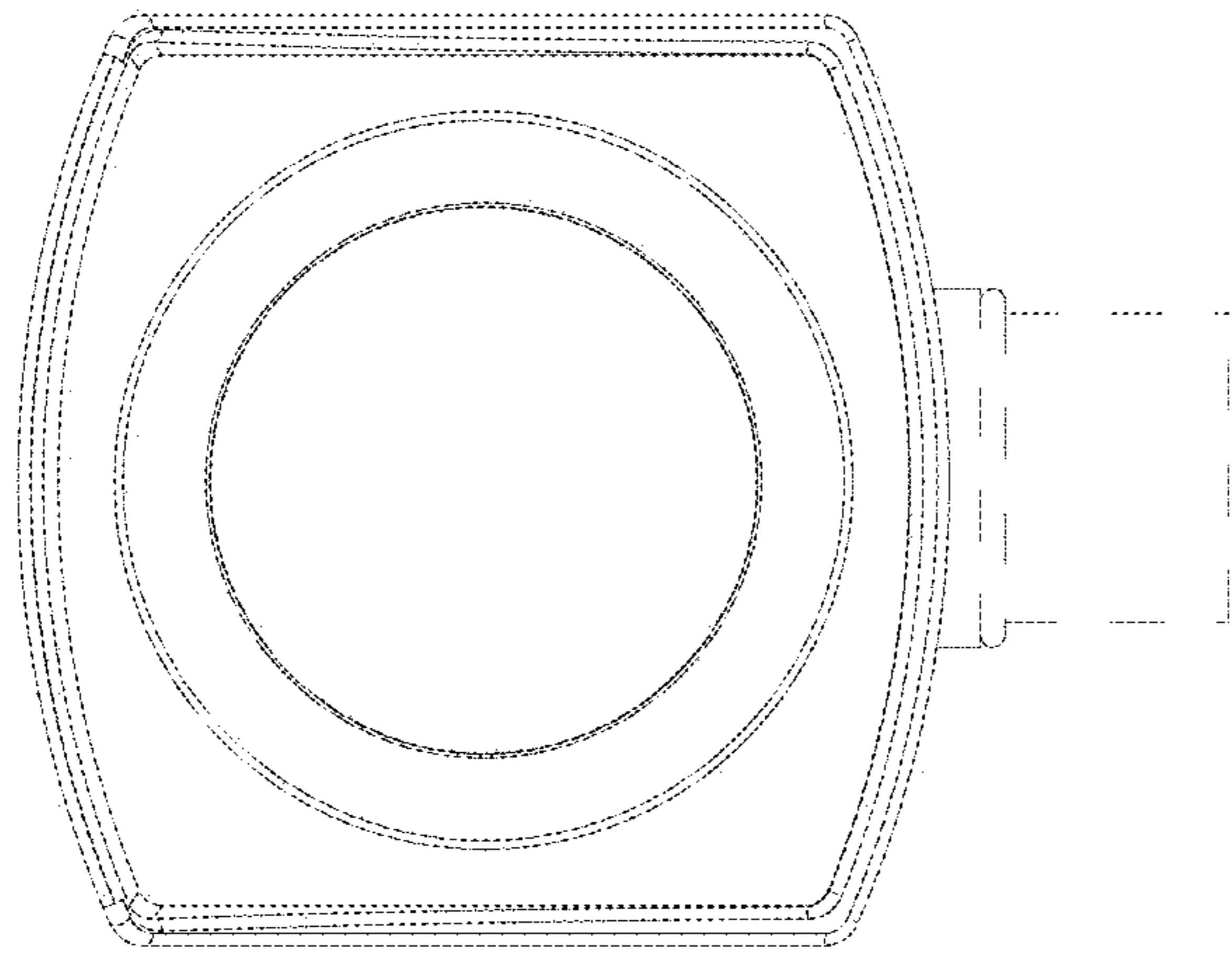


FIG. 5

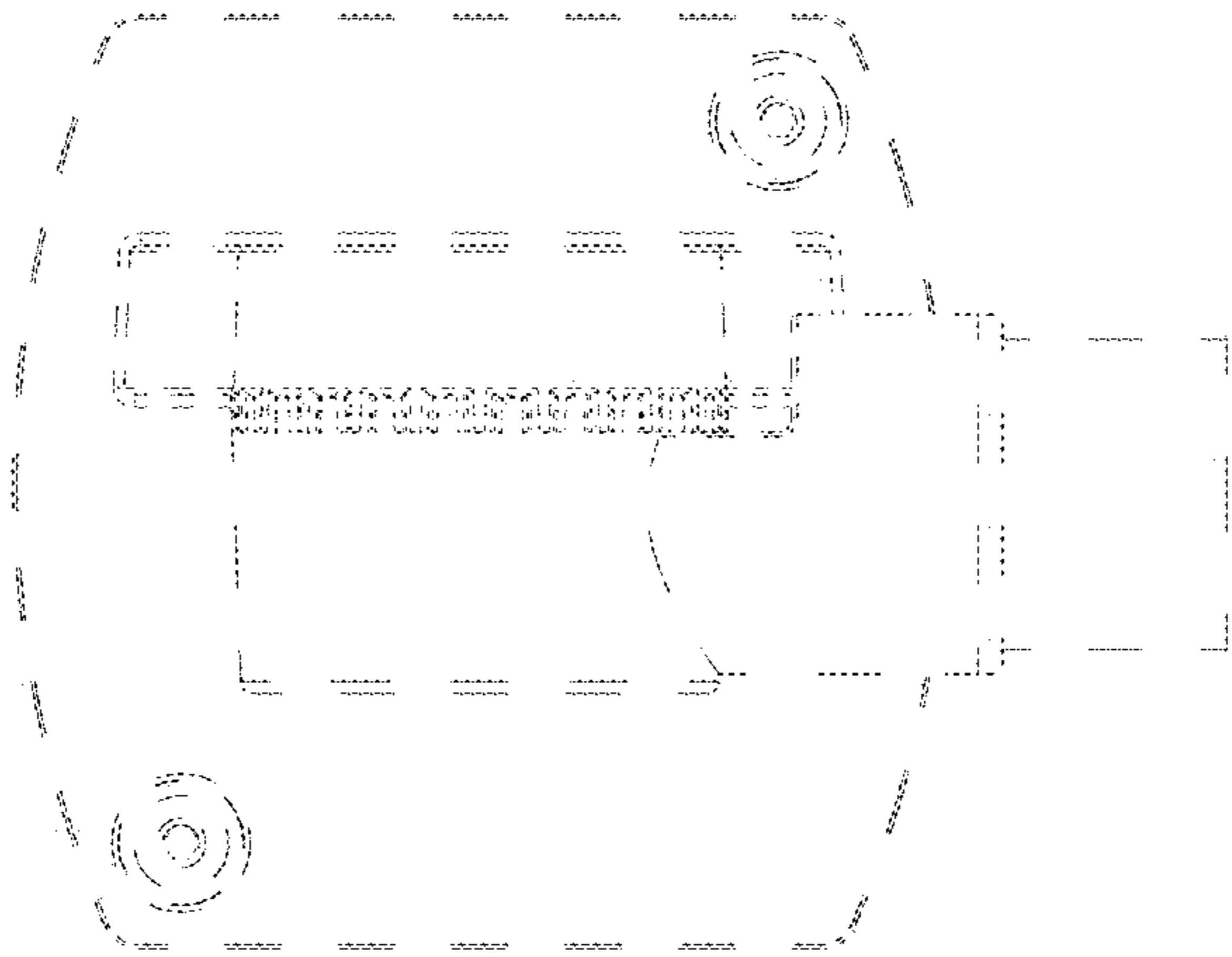


FIG. 6



FIG. 7





FIG. 8