



US00D886360S

(12) **United States Design Patent** (10) **Patent No.:** **US D886,360 S**
Xu (45) **Date of Patent:** **** Jun. 2, 2020**

(54) **RING LIGHT**

(71) Applicant: **Yuejiao Xu**, Nan'an (CN)

(72) Inventor: **Yuejiao Xu**, Nan'an (CN)

(**) Term: **15 Years**

(21) Appl. No.: **29/721,745**

(22) Filed: **Jan. 23, 2020**

(51) **LOC (12) Cl.** **26-03**

(52) **U.S. Cl.**
USPC **D26/106; D26/63**

(58) **Field of Classification Search**
USPC D26/1, 24, 49, 61, 63, 64, 65, 85, 92,
D26/138, 111
CPC F21V 21/14; F21V 15/01; F21V 14/02;
F21V 21/30; F21V 21/00; F21V 14/00;
F21V 1/06; F21V 1/12; F21S 8/00; F21S
8/003; F21S 8/043; F21Y 2105/001
See application file for complete search history.

(56) **References Cited**

U.S. PATENT DOCUMENTS

D773,105 S	11/2016	Feit	
D815,328 S *	4/2018	Ladnier	D26/63
D827,180 S *	8/2018	Mou	D26/106
D853,613 S *	7/2019	Lien	D26/63
D854,227 S *	7/2019	Yu	D26/106
D855,242 S *	7/2019	Chen	D26/106
D872,348 S	1/2020	Liu	
D873,328 S *	1/2020	Shen	D26/106

* cited by examiner

Primary Examiner — Brian N. Vinson
(74) *Attorney, Agent, or Firm* — HYIP

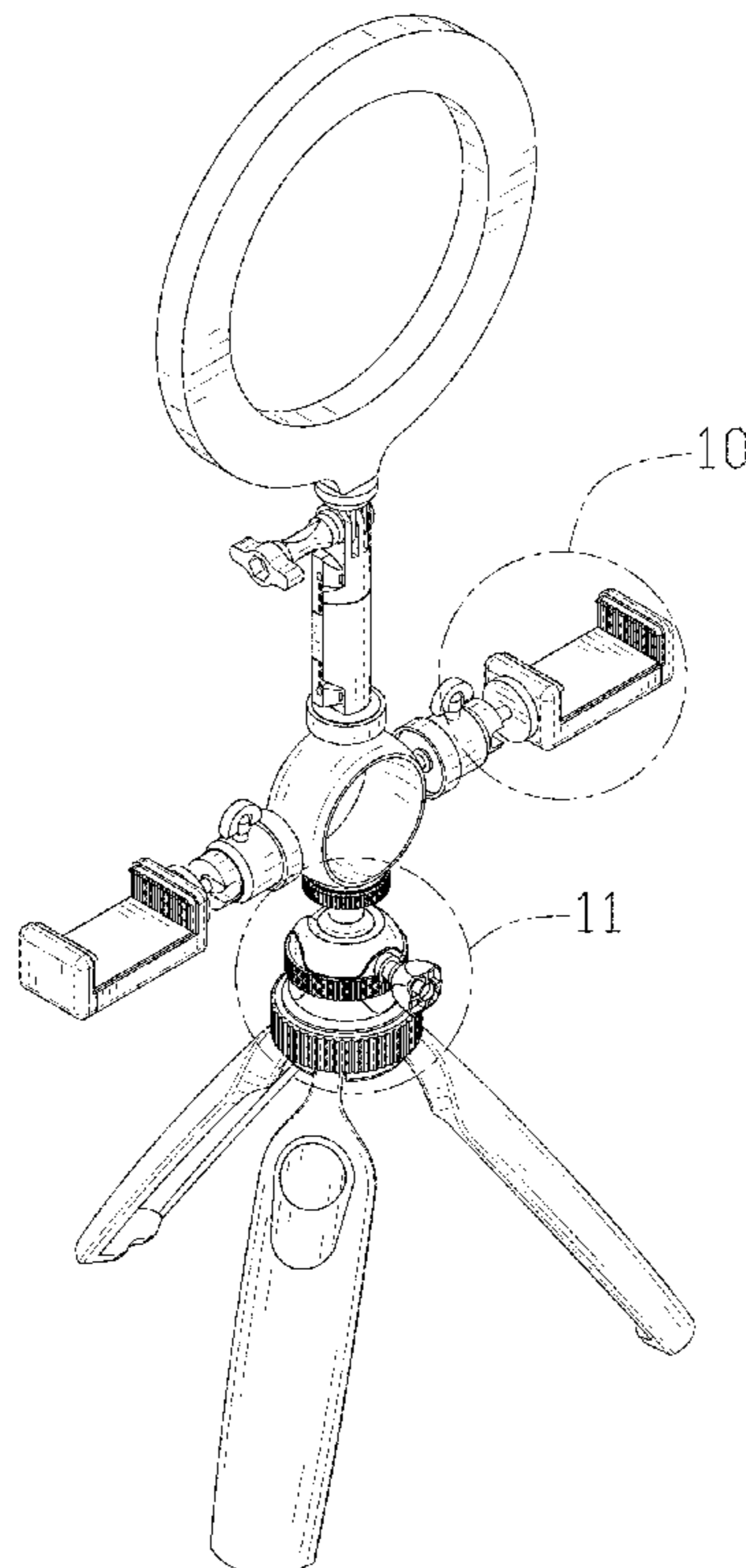
(57) **CLAIM**

The ornamental design for a ring light, as shown and described.

DESCRIPTION

FIG. 1 is a first perspective view of a ring light showing my new design;
FIG. 2 is a second perspective view thereof;
FIG. 3 is a front view thereof;
FIG. 4 is a back view thereof;
FIG. 5 is a left side view thereof;
FIG. 6 is a right side view thereof;
FIG. 7 is a top view thereof;
FIG. 8 is a bottom view thereof;
FIG. 9 is a perspective view of another state of the ring light thereof;
FIG. 10 is an enlarged view of the selected portion in FIG. 1;
FIG. 11 is an enlarged view of the selected portion in FIG. 1; and,
FIG. 12 is an enlarged view of the selected portion in FIG. 2.
The broken lines shown in the drawings depict portions of the ring light in which the design is embodied that form no part of the claimed design.

1 Claim, 12 Drawing Sheets



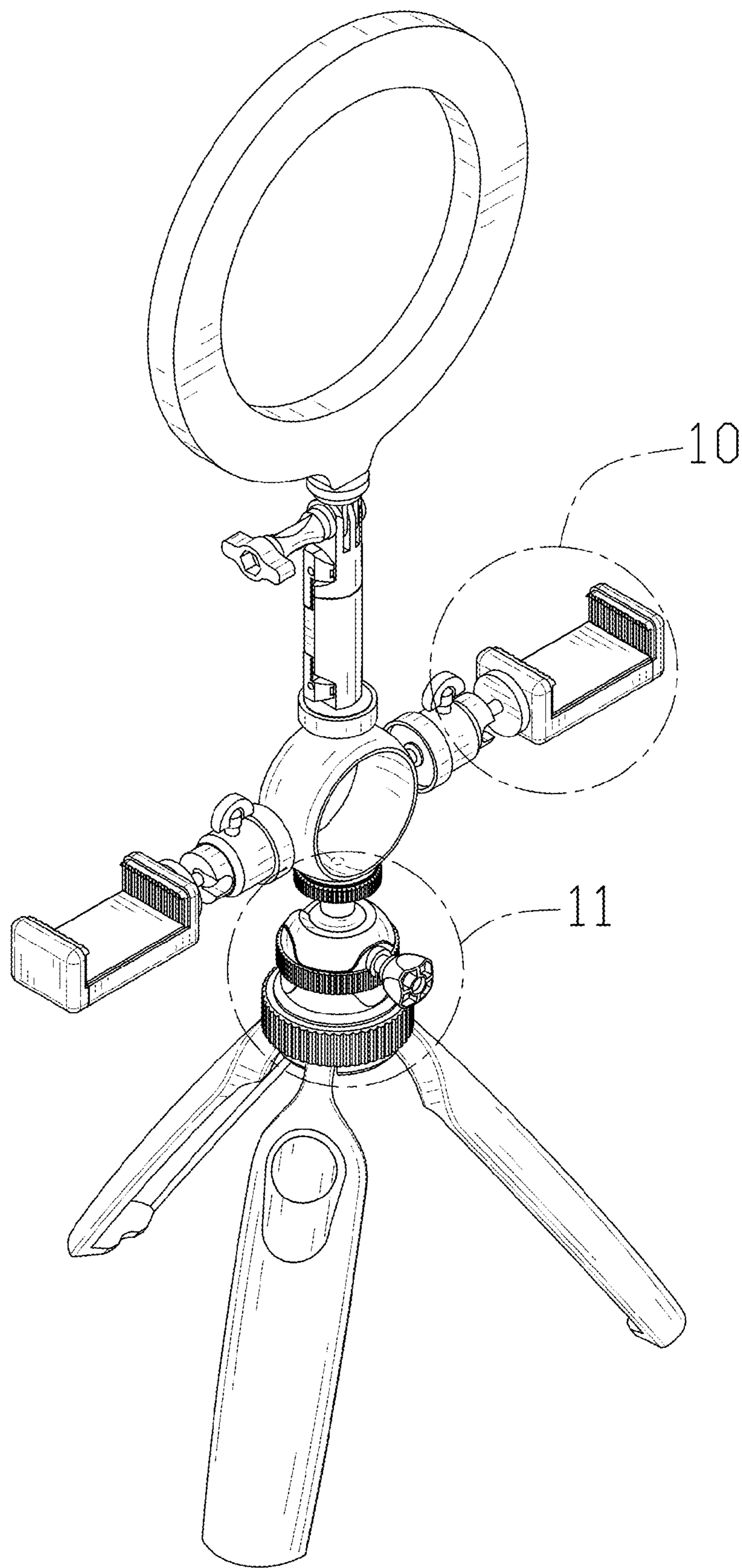


FIG. 1

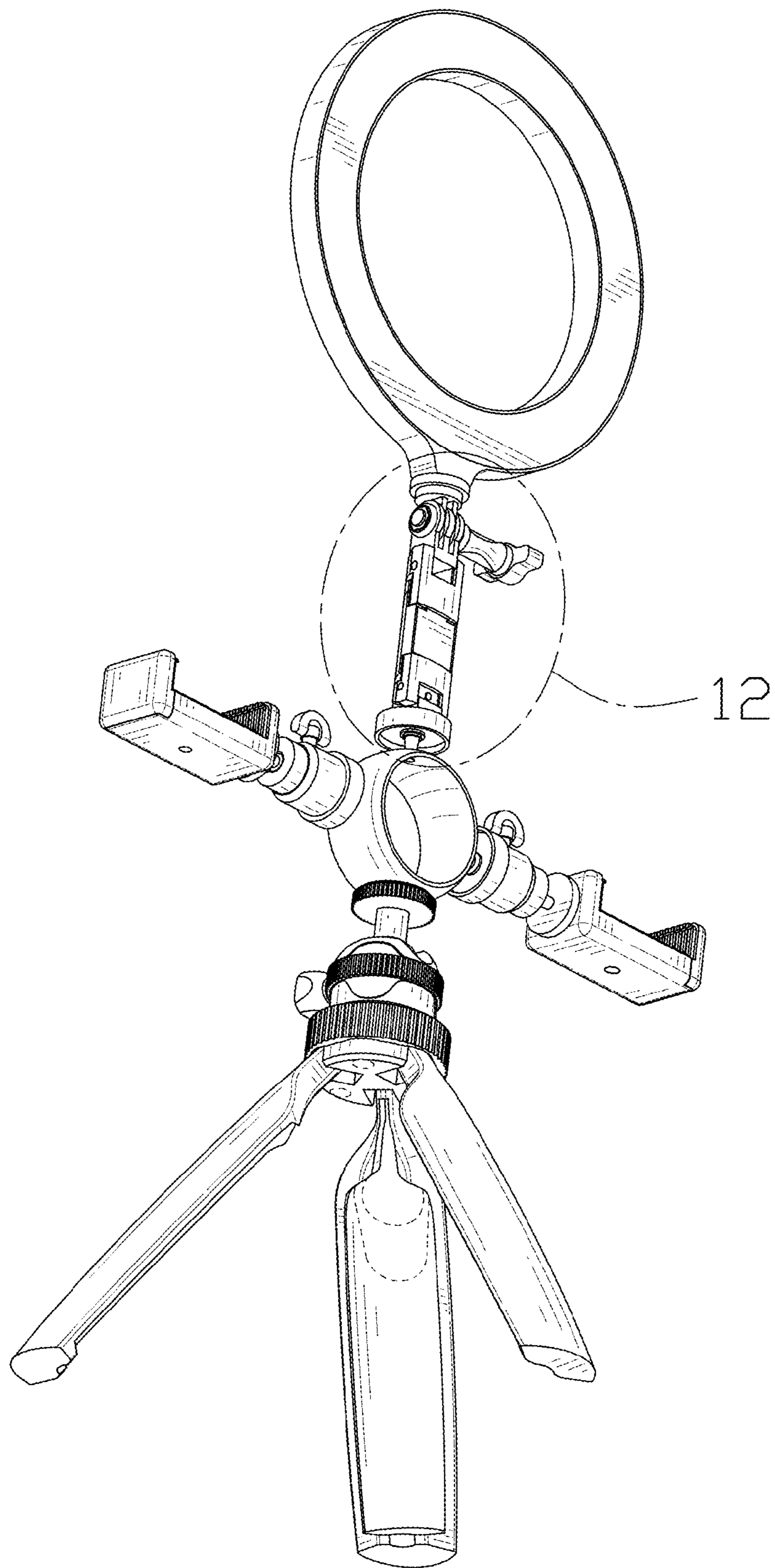


FIG. 2

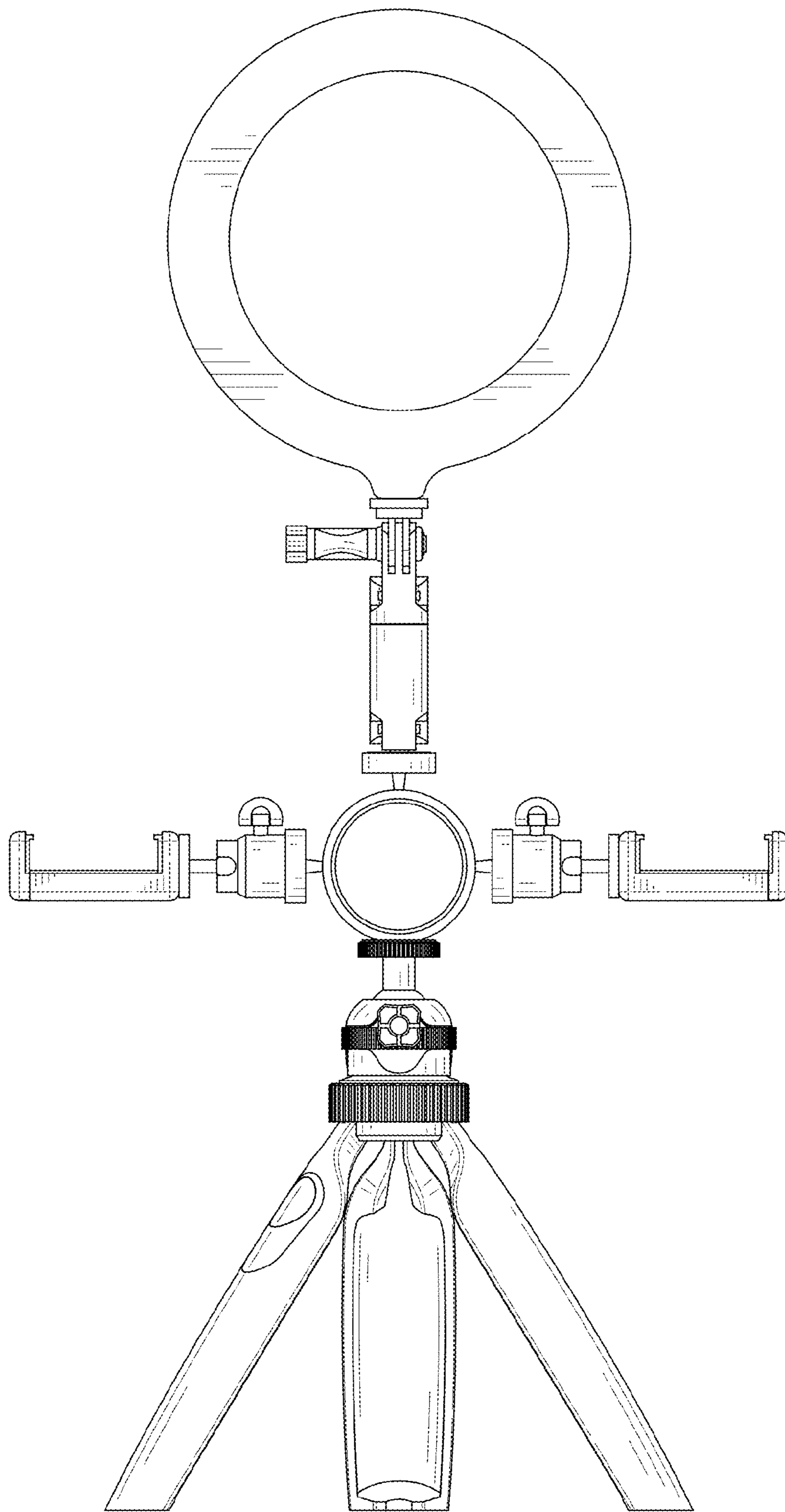


FIG. 3

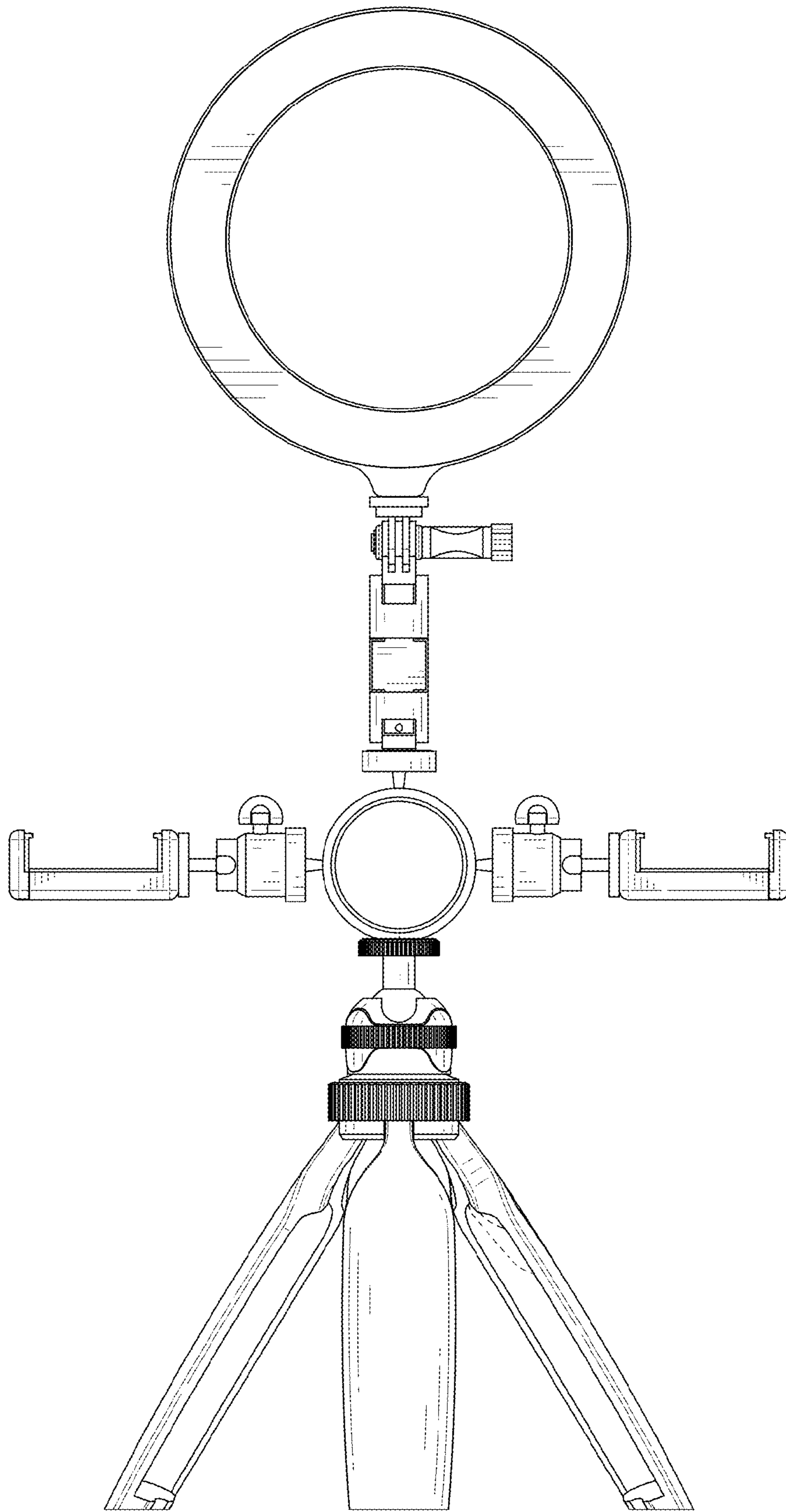


FIG. 4

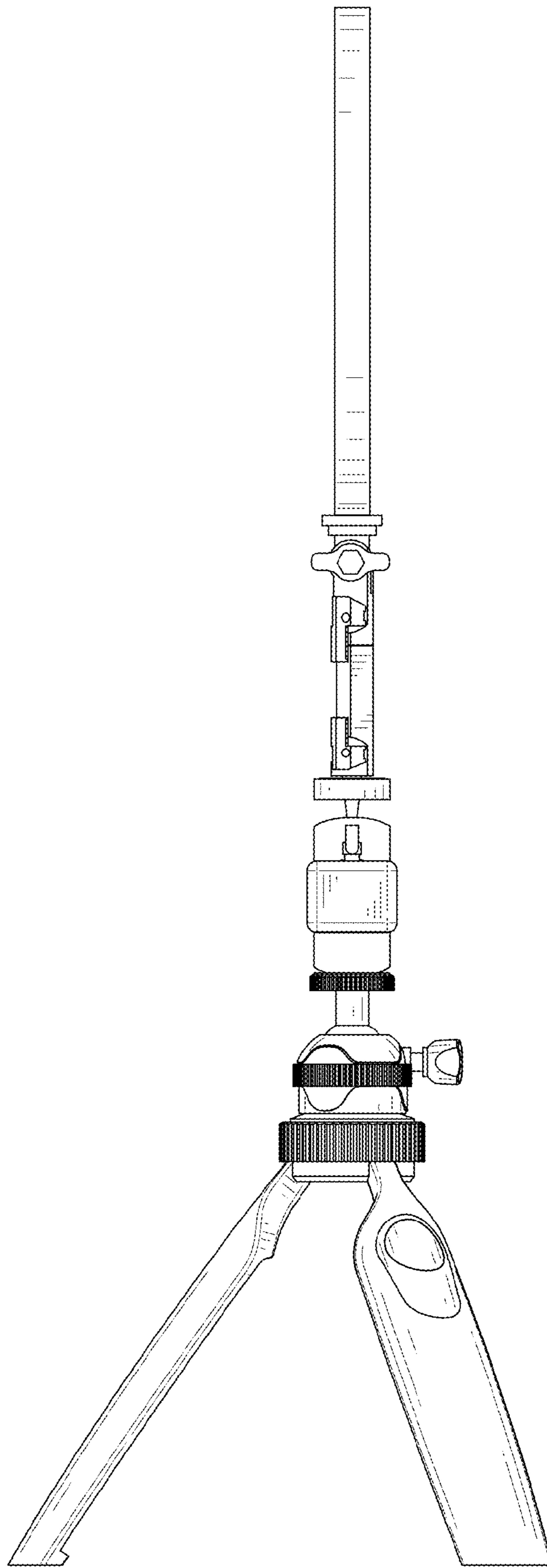


FIG. 5

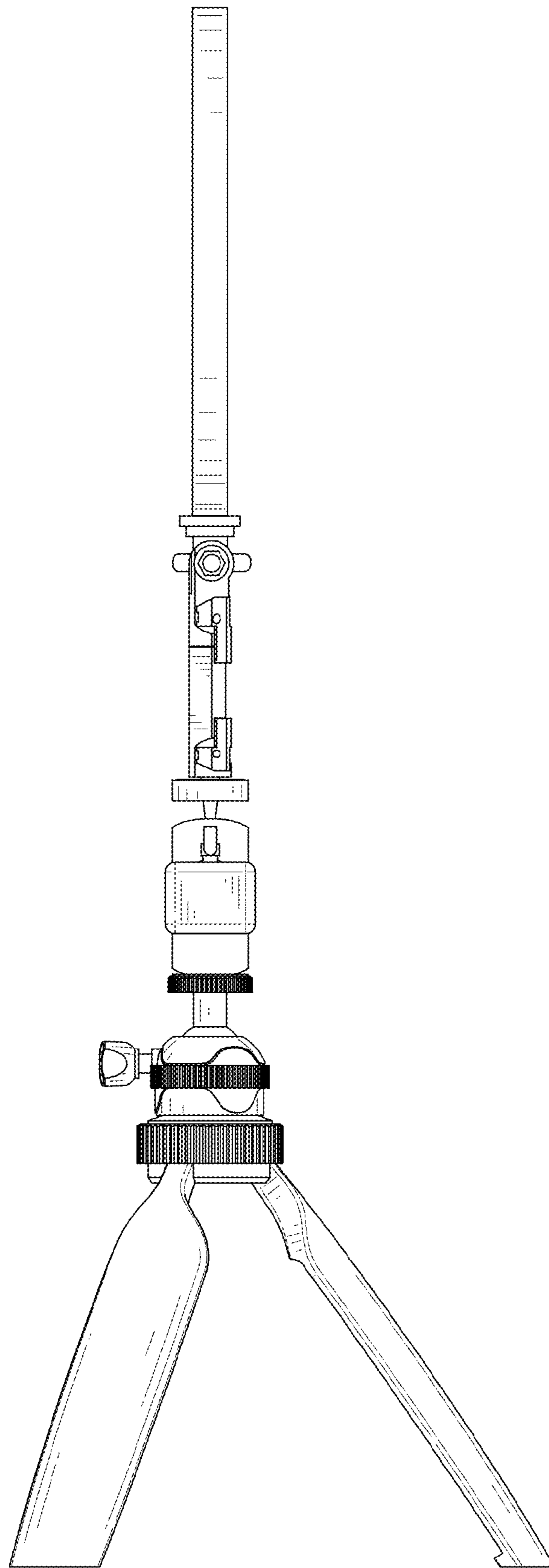


FIG. 6

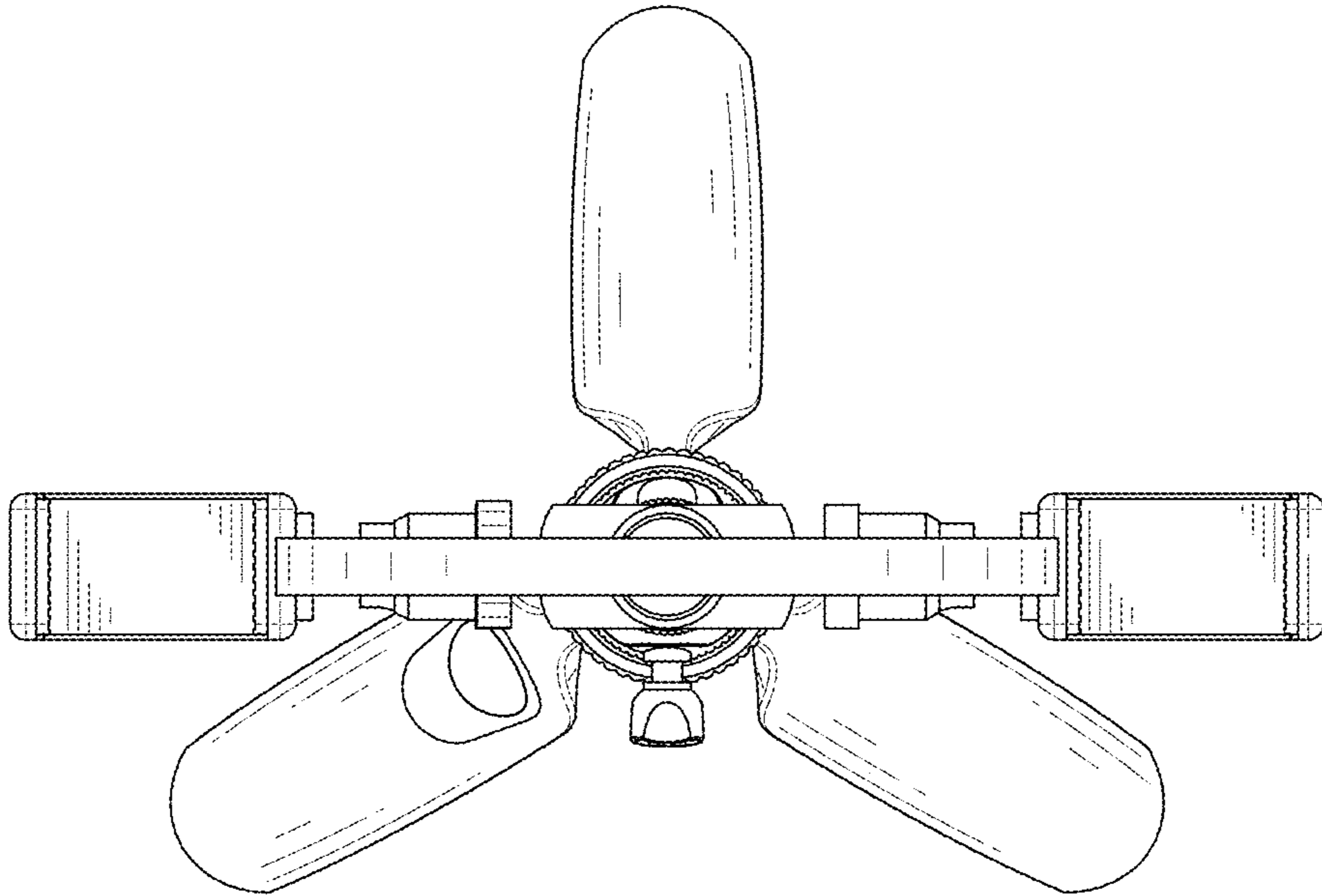


FIG. 7

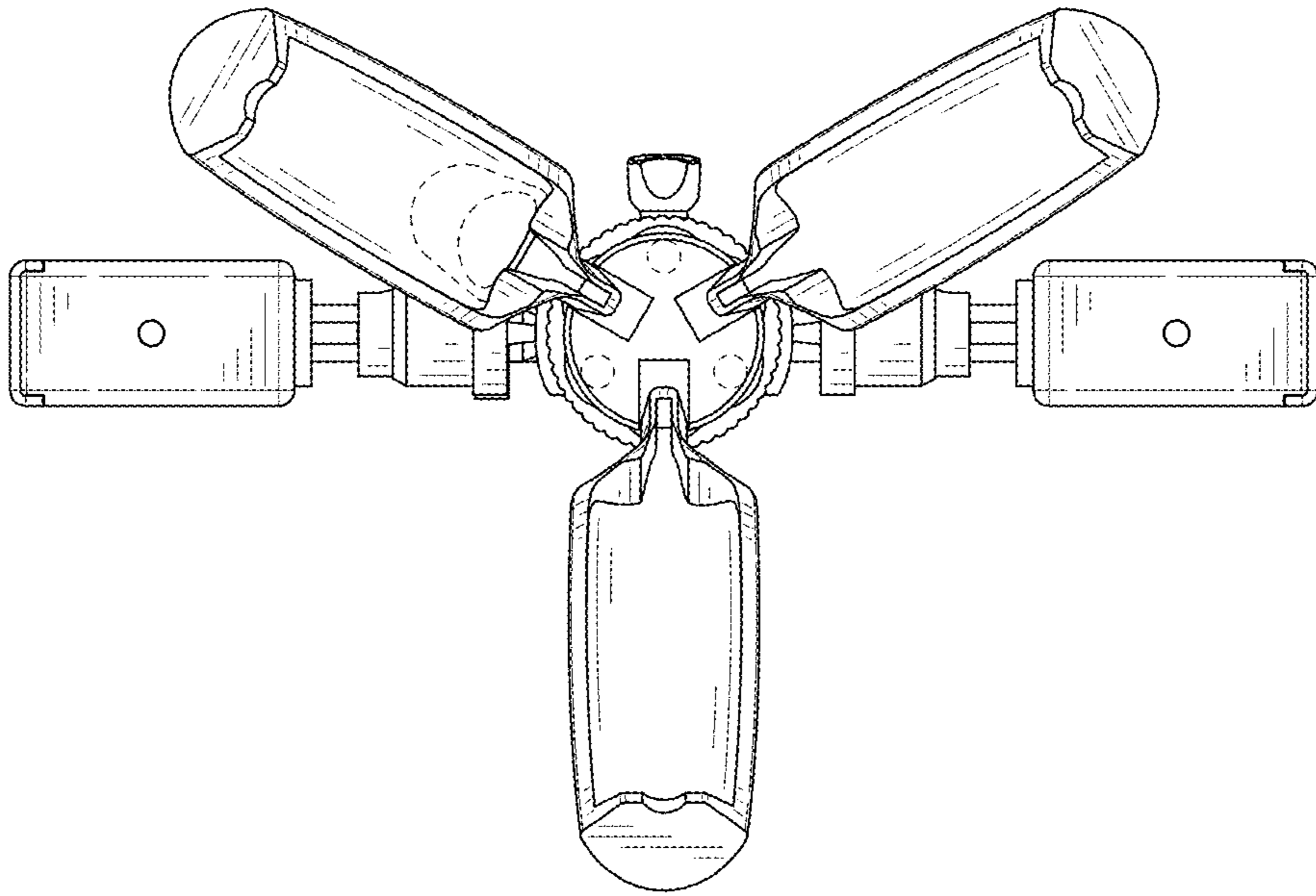


FIG. 8

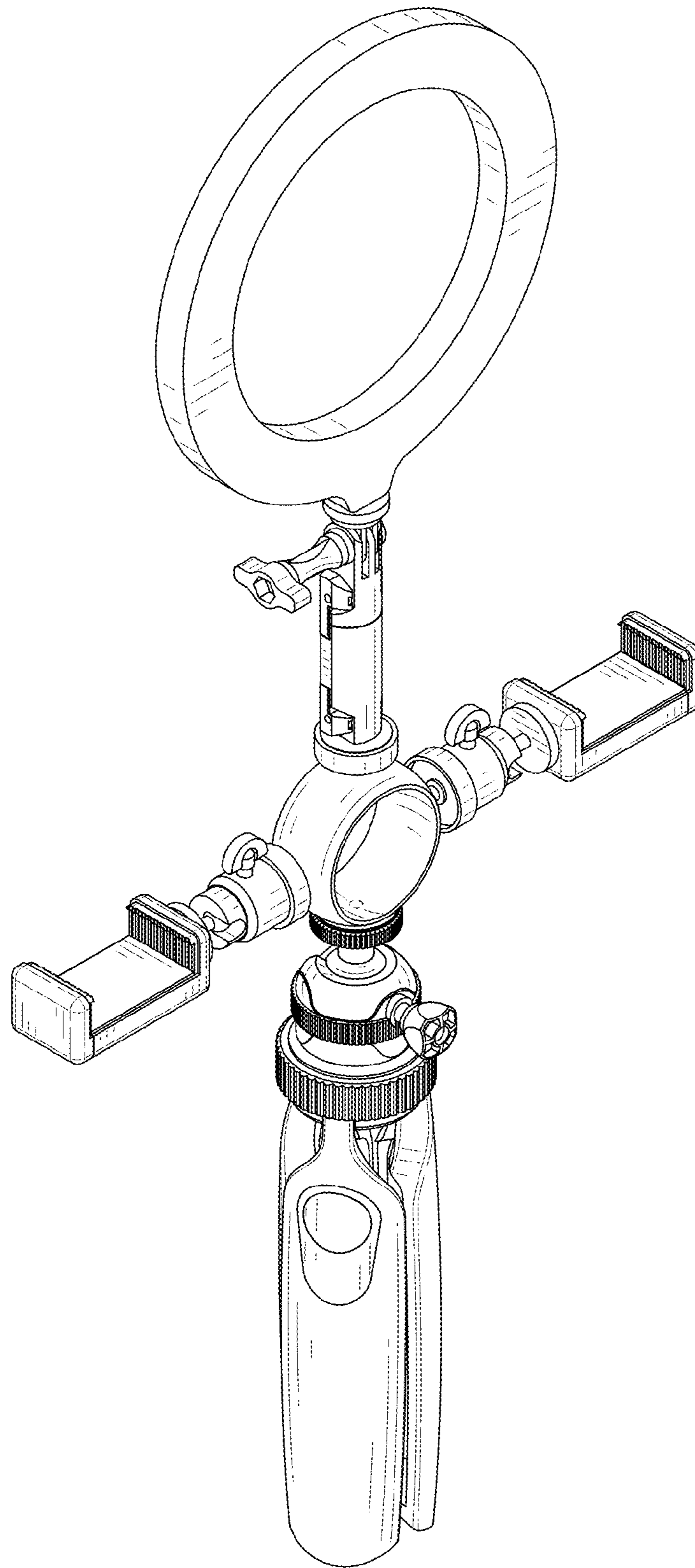


FIG. 9

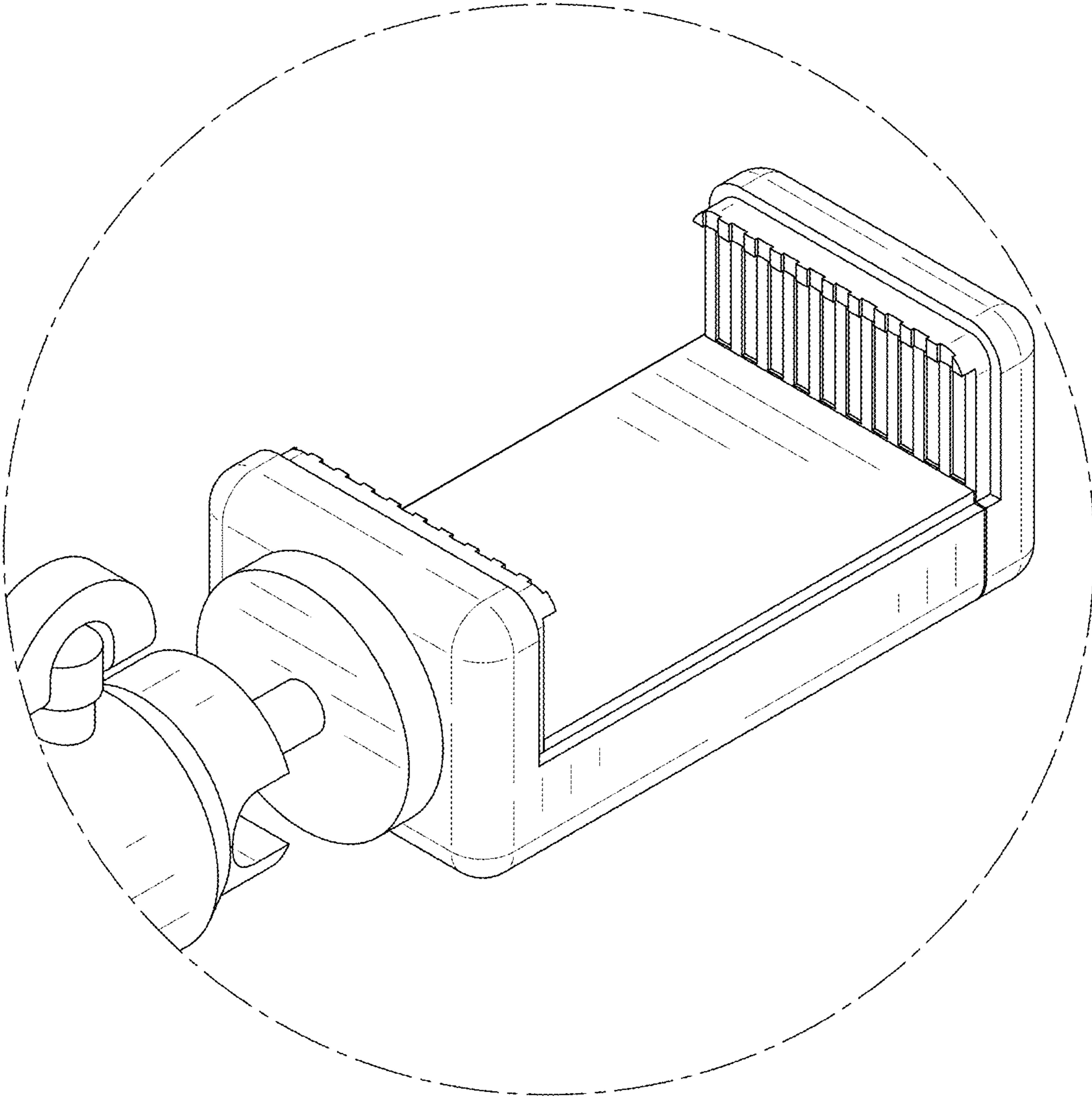


FIG. 10

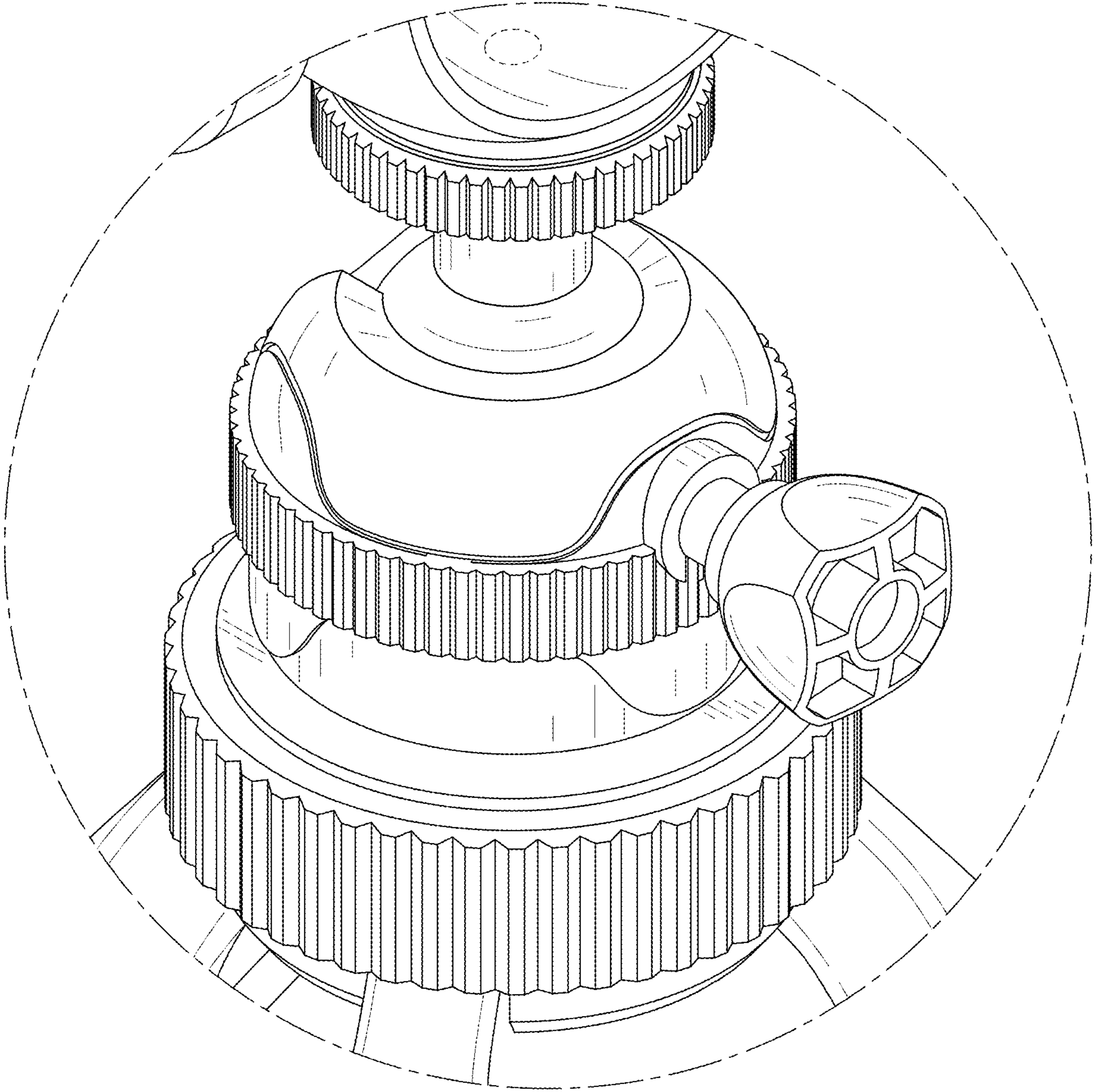


FIG. 11

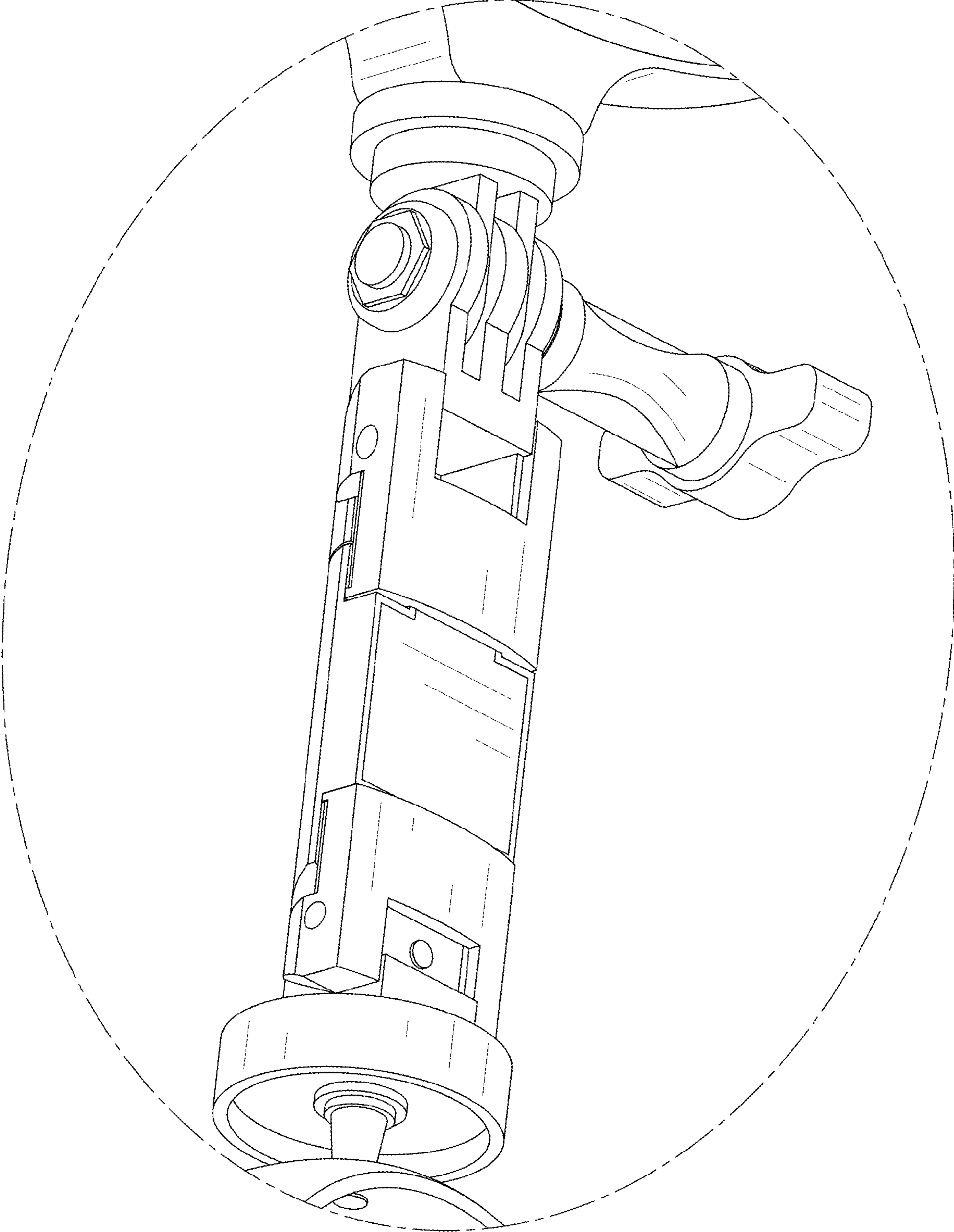


FIG. 12