



US00D886357S

(12) **United States Design Patent**
Gambrel et al.

(10) **Patent No.:** **US D886,357 S**

(45) **Date of Patent:** **** Jun. 2, 2020**

(54) **LIGHTING FIXTURE**

(71) Applicant: **The Urban Electric Company**, North Charleston, SC (US)

(72) Inventors: **Steven Gambrel**, New York, NY (US); **Michael Amato**, London (GB); **David Dawson**, Charleston, SC (US); **Jonathan Charpia**, Summerville, SC (US); **Christopher Roof**, Charleston, SC (US); **Joeangel Casanova**, Brooklyn, NY (US); **Brianna Magagnoli**, North Charleston, SC (US); **Janis Golubeckis**, Mount Pleasant, SC (US)

(73) Assignee: **The Urban Electric Company**, North Charleston, SC (US)

(**) Term: **15 Years**

(21) Appl. No.: **29/676,542**

(22) Filed: **Jan. 11, 2019**

(51) **LOC (12) Cl.** **26-03**

(52) **U.S. Cl.**
USPC **D26/89; D26/91**

(58) **Field of Classification Search**
USPC D26/72, 74, 80, 83, 85, 88, 89, 90, 91
CPC F21S 8/03; F21S 8/04; F21S 8/043; F21S 8/046; F21V 21/02; F21V 21/03; F21V 21/047; F21V 21/049
See application file for complete search history.

(56) **References Cited**

U.S. PATENT DOCUMENTS

D24,498 S *	7/1895	Keeler et al.	D26/83
D66,188 S *	12/1924	Jaeger	D26/89
D76,016 S *	8/1928	Hagopian	D26/72
1,707,556 A *	4/1929	Kaden	F21S 8/04 362/433
D92,702 S *	7/1934	Cowan	D26/89
D414,860 S *	10/1999	Thomas, Jr.	D23/377

D465,297 S *	11/2002	Thomas	D26/83
D530,032 S *	10/2006	Tsuji	D26/59
D551,382 S *	9/2007	Curtin	D26/89
D773,717 S *	12/2016	Amato	D26/89
D775,758 S *	1/2017	Amato	D26/89
D823,522 S *	7/2018	Gambrel	D26/89

OTHER PUBLICATIONS

Club Small Hexagonal Flush Mount in Bronze, SKU: CHO 4110BZ-CG, from burkedecor.com visited Apr. 13, 2020. (Year: 2020).*

* cited by examiner

Primary Examiner — Clare E Heflin

(74) *Attorney, Agent, or Firm* — Haynsworth Sinkler Boyd, P.A.

(57) **CLAIM**

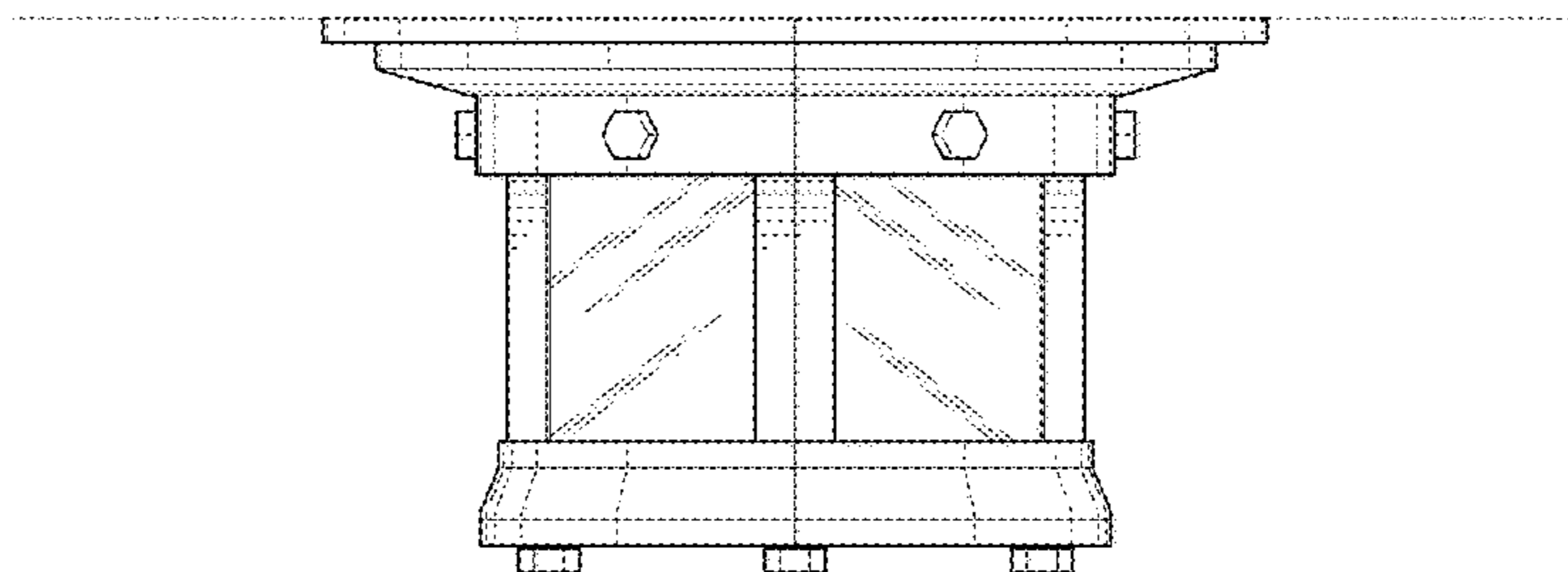
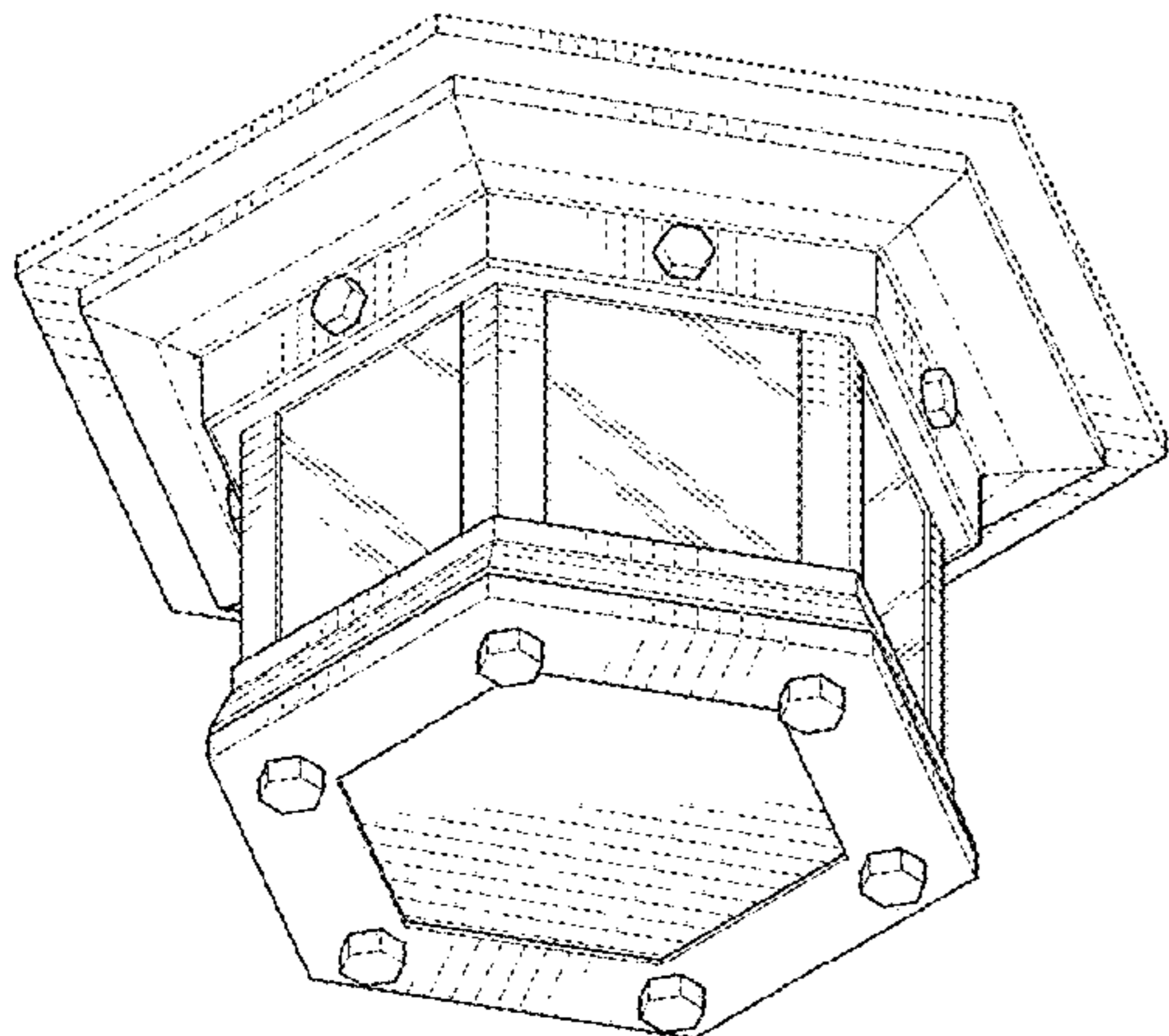
The ornamental design for a lighting fixture, as shown and described.

DESCRIPTION

FIG. 1 is a bottom perspective view of a lighting fixture depicting a new design;
FIG. 2 is a top perspective view thereof;
FIG. 3 is a front elevational view thereof;
FIG. 4 is a back elevational view thereof;
FIG. 5 is a left elevational view thereof;
FIG. 6 is a right elevational view thereof;
FIG. 7 is a bottom plan view thereof; and,
FIG. 8 is a top plan view thereof.

The horizontal broken lines extending out beyond the perimeter of the fixture in FIGS. 3-6 are intended to demonstrate environment only and form no part of the claimed design. The remaining broken line disclosures in the views represent portions of the lighting fixture that form no part of the claimed design.

1 Claim, 8 Drawing Sheets



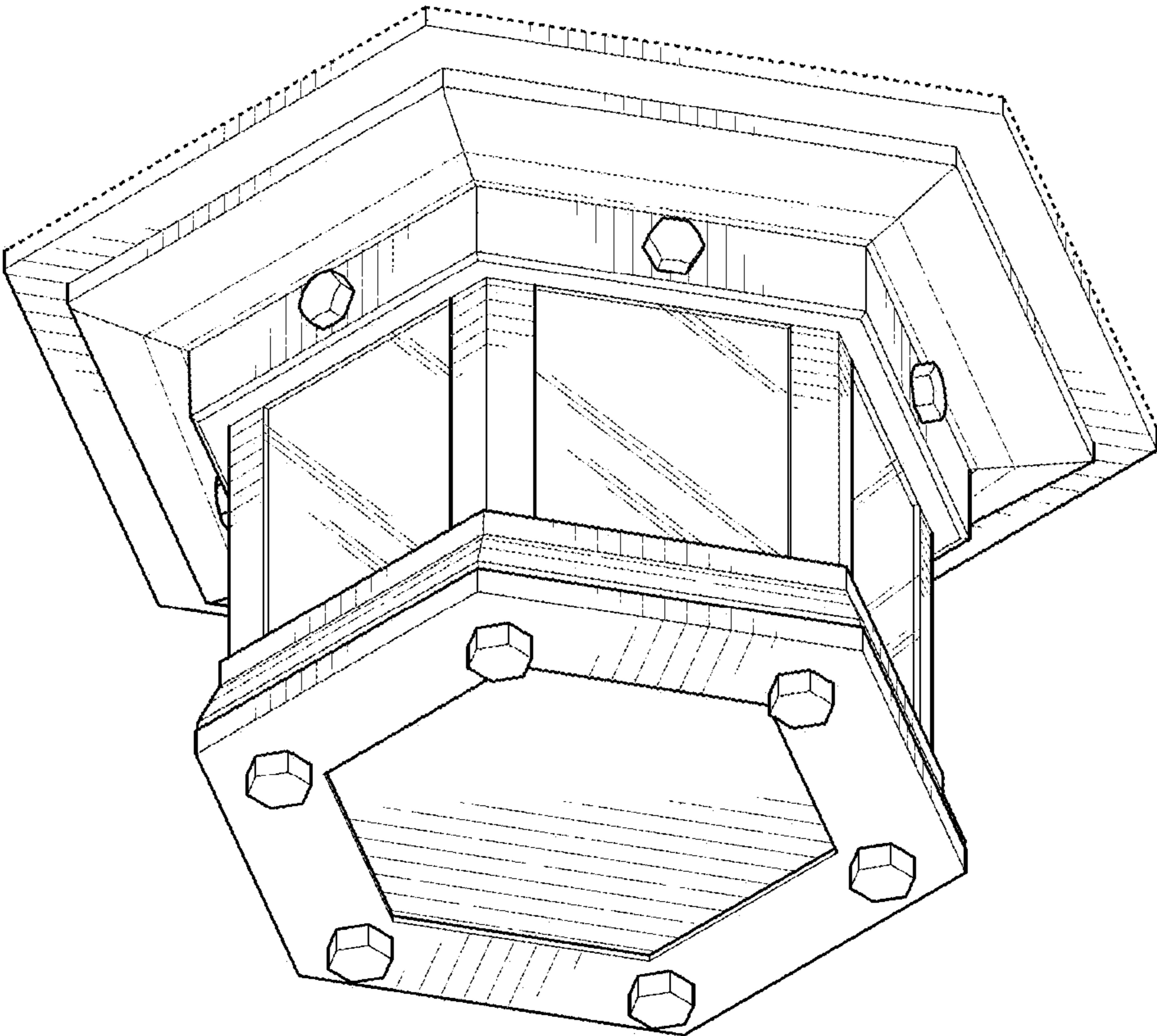


FIG. 1

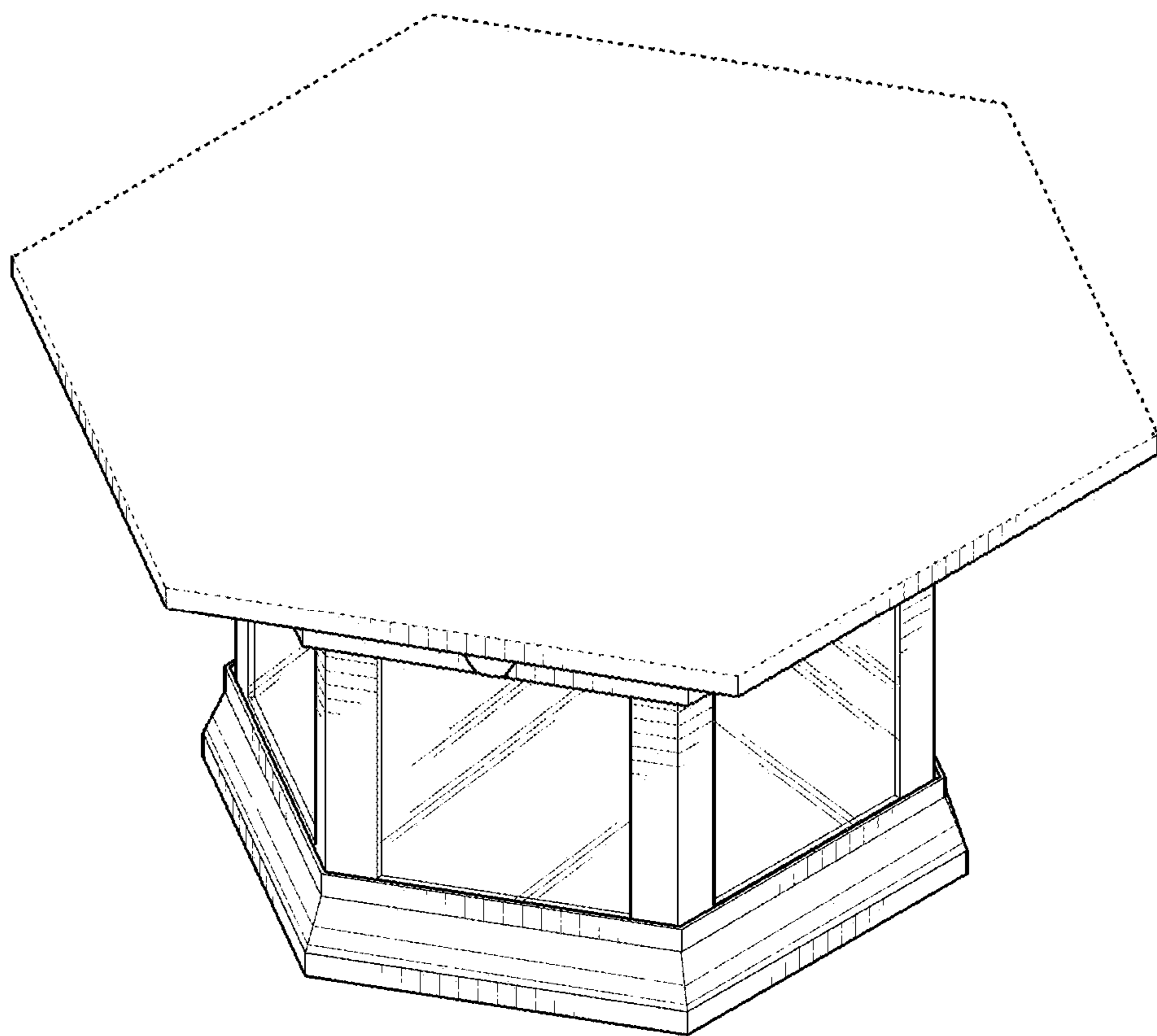


FIG. 2

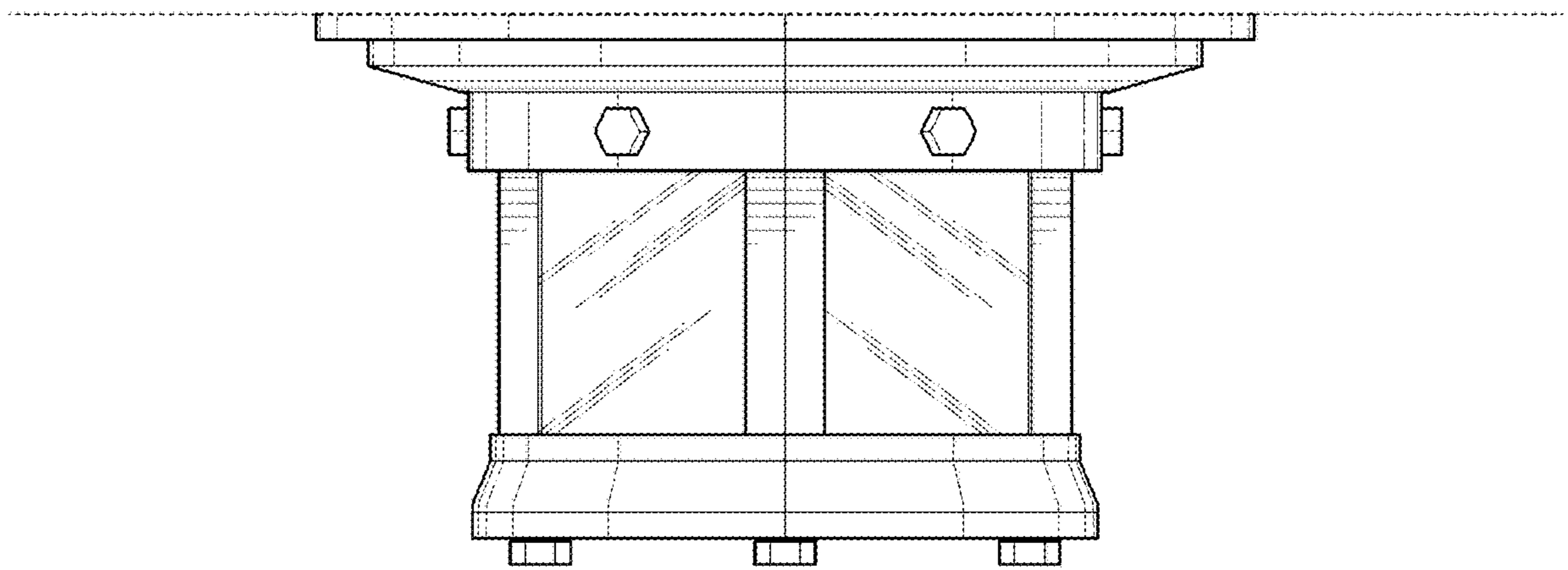


FIG. 3

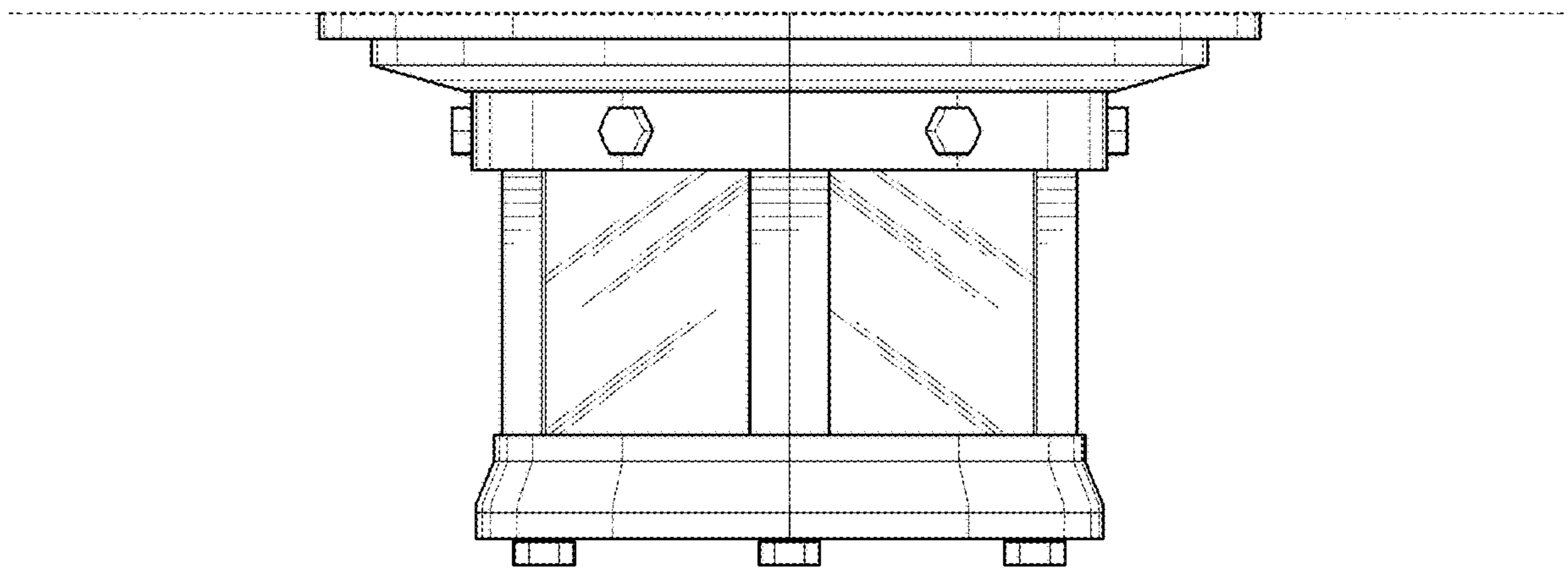


FIG. 4

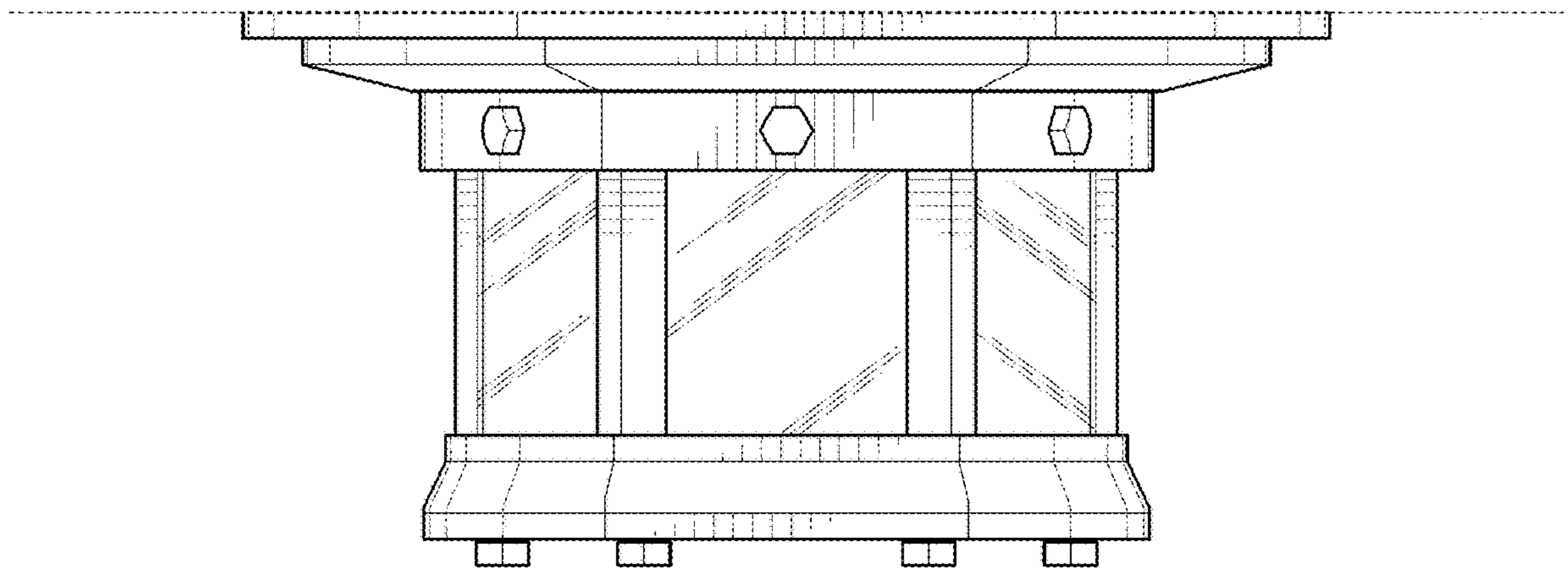


FIG. 5

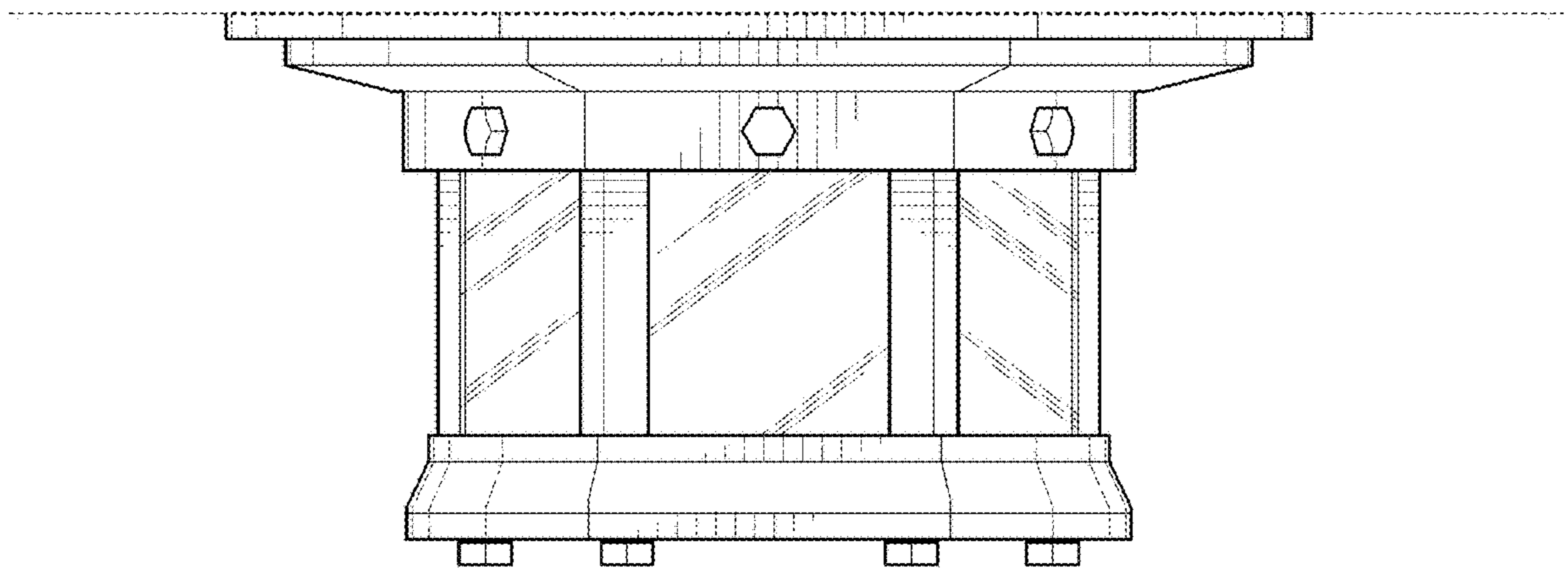


FIG. 6

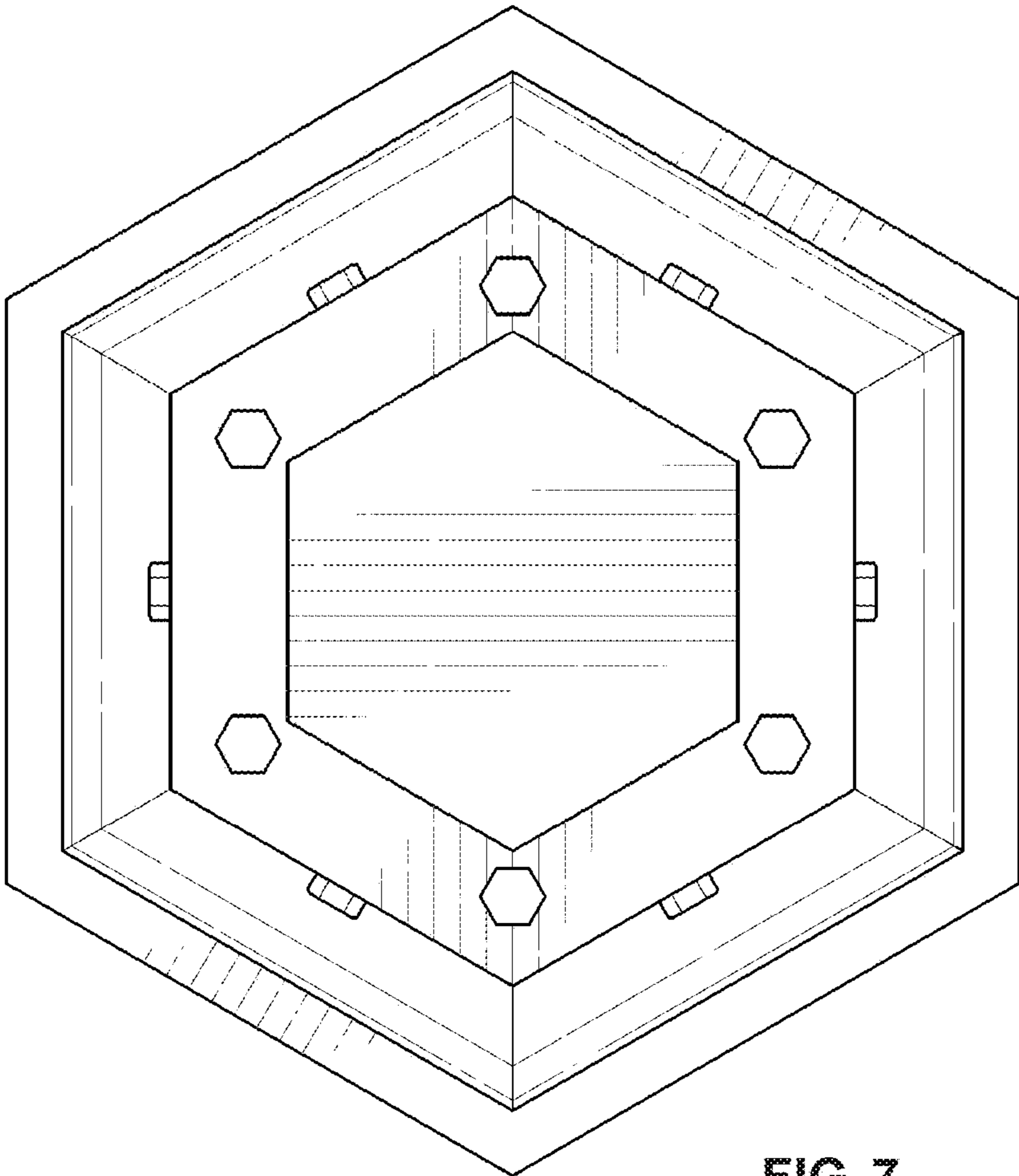


FIG. 7

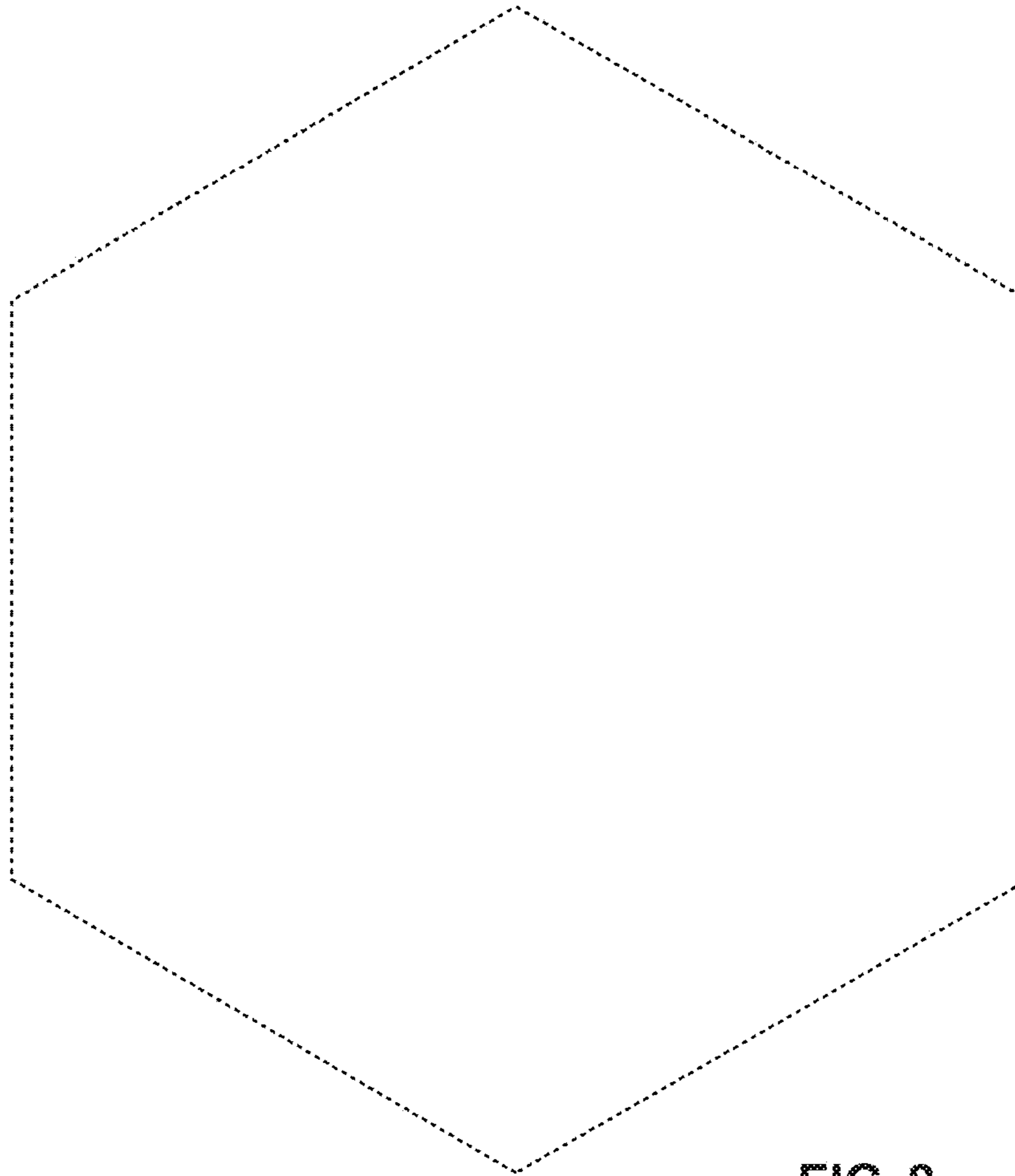


FIG. 8