



US00D886354S

(12) **United States Design Patent**
Snell

(10) **Patent No.:** **US D886,354 S**

(45) **Date of Patent:** **** Jun. 2, 2020**

(54) **LIGHT FIXTURE**

(71) Applicant: **Group Dekko, Inc.**, Garrett, IN (US)

(72) Inventor: **Nathan R. Snell**, Raleigh, NC (US)

(73) Assignee: **Group Dekko, Inc.**, Garrett, IN (US)

(**) Term: **15 Years**

(21) Appl. No.: **29/651,438**

(22) Filed: **Aug. 15, 2018**

(51) **LOC (12) Cl.** **26-04**

(52) **U.S. Cl.**
USPC **D26/76**

(58) **Field of Classification Search**

USPC D26/72, 74, 76, 78-83, 85, 86, 88, 90,
D26/93, 111, 113, 118, 119, 120, 121,
D26/122, 138, 139, 140, 141, 142, 152
CPC F21S 2/00; F21S 4/00; F21S 4/003; F21S
4/005; F21S 4/006; F21S 4/007; F21S
4/008; F21S 6/00; F21S 8/00; F21S
8/024; F21S 8/026; F21S 8/031; F21S
8/033; F21S 8/035-037; F21S 8/04; F21S
8/043; F21S 8/063

See application file for complete search history.

(56) **References Cited**

U.S. PATENT DOCUMENTS

D348,947 S *	7/1994	Holcomb	D26/76
D511,222 S *	11/2005	Hetfield	D26/76
D523,165 S *	6/2006	Schultz	D26/72
D602,627 S *	10/2009	Lasthein	D26/76
D603,548 S *	11/2009	Pei	D26/76
D642,725 S *	8/2011	Kong	D26/76
D664,700 S *	7/2012	Ferguson	D26/76
D690,452 S *	9/2013	Payne	D26/80
D794,241 S *	8/2017	Huyghe	D26/80
D801,552 S *	10/2017	Boehl	D25/126
D803,455 S *	11/2017	Blessitt	D26/76
D805,233 S *	12/2017	Verfuerth	D26/76

D819,250 S *	5/2018	Ji	D26/76
D830,604 S *	10/2018	Watt	D26/76
D830,605 S *	10/2018	Watt	D26/76
D843,046 S *	3/2019	Watt	D26/76
D846,786 S *	4/2019	Tremaine	D26/76

* cited by examiner

Primary Examiner — Natasha Vujcic

(74) *Attorney, Agent, or Firm* — Taylor IP, P.C.

(57) **CLAIM**

The ornamental design for a light fixture, as shown and described.

DESCRIPTION

FIG. 1 is a front perspective view of a light fixture showing my new design;

FIG. 2 is a top view thereof;

FIG. 3 is an end view thereof, wherein the opposite end view is a mirror image thereof;

FIG. 4 is a side view thereof, wherein the opposite side view is a mirror image thereof;

FIG. 5 is a bottom view thereof;

FIG. 6 is another perspective thereof;

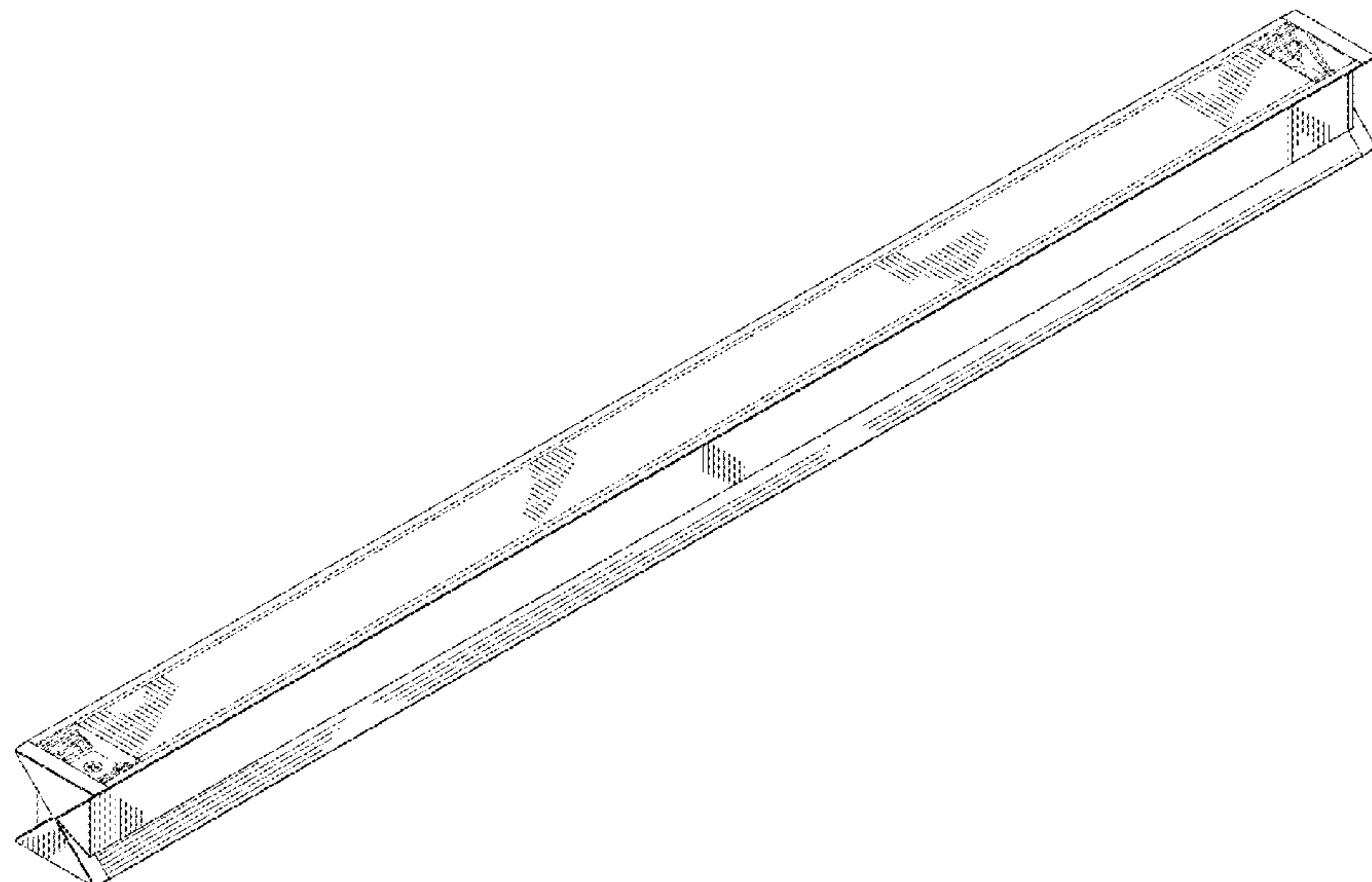
FIG. 7 is an enlarged front perspective view of a second embodiment of my new design, having slots disposed at the top and bottom of the vertically disposed sidewalls; it being understood that all other surfaces are the same as those of the first embodiment shown in FIGS. 1-6;

FIG. 8 is sectional view taken along line 8-8 in FIG. 7, illustrating the slots, with internal features forming no part of the claimed invention and generally represented by section lines; and,

FIG. 9 is sectional view taken along line 9-9 in FIG. 2, illustrating the first embodiment shown in FIGS. 1-6 with no slots, with internal features forming no part of the claimed invention and generally represented by section lines.

The broken lines in the drawings illustrate portions of the light fixture and form no part of the claimed design.

1 Claim, 4 Drawing Sheets



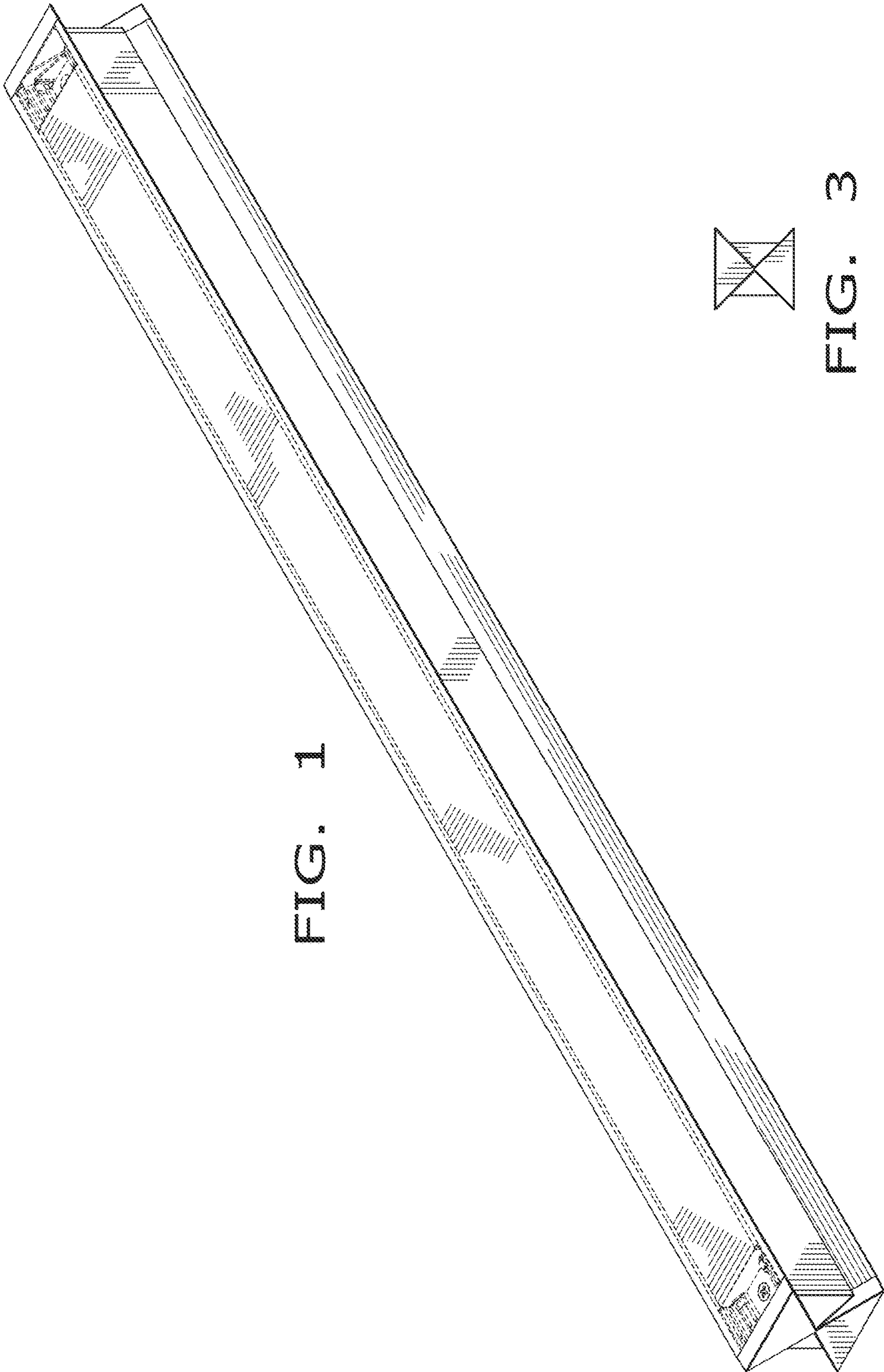


FIG. 1

FIG. 3

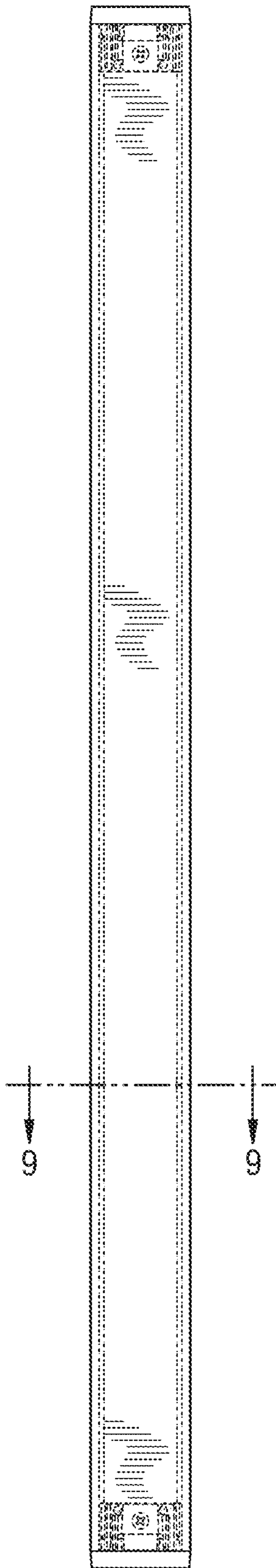


FIG. 2

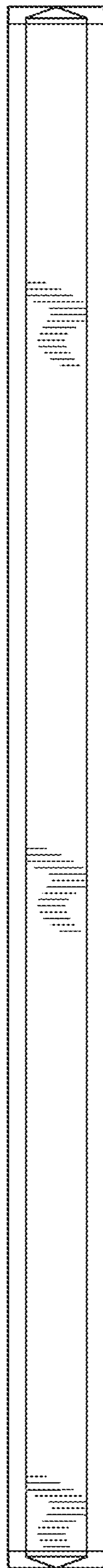


FIG. 4

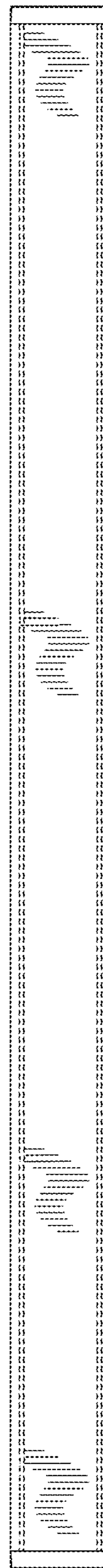


FIG. 5

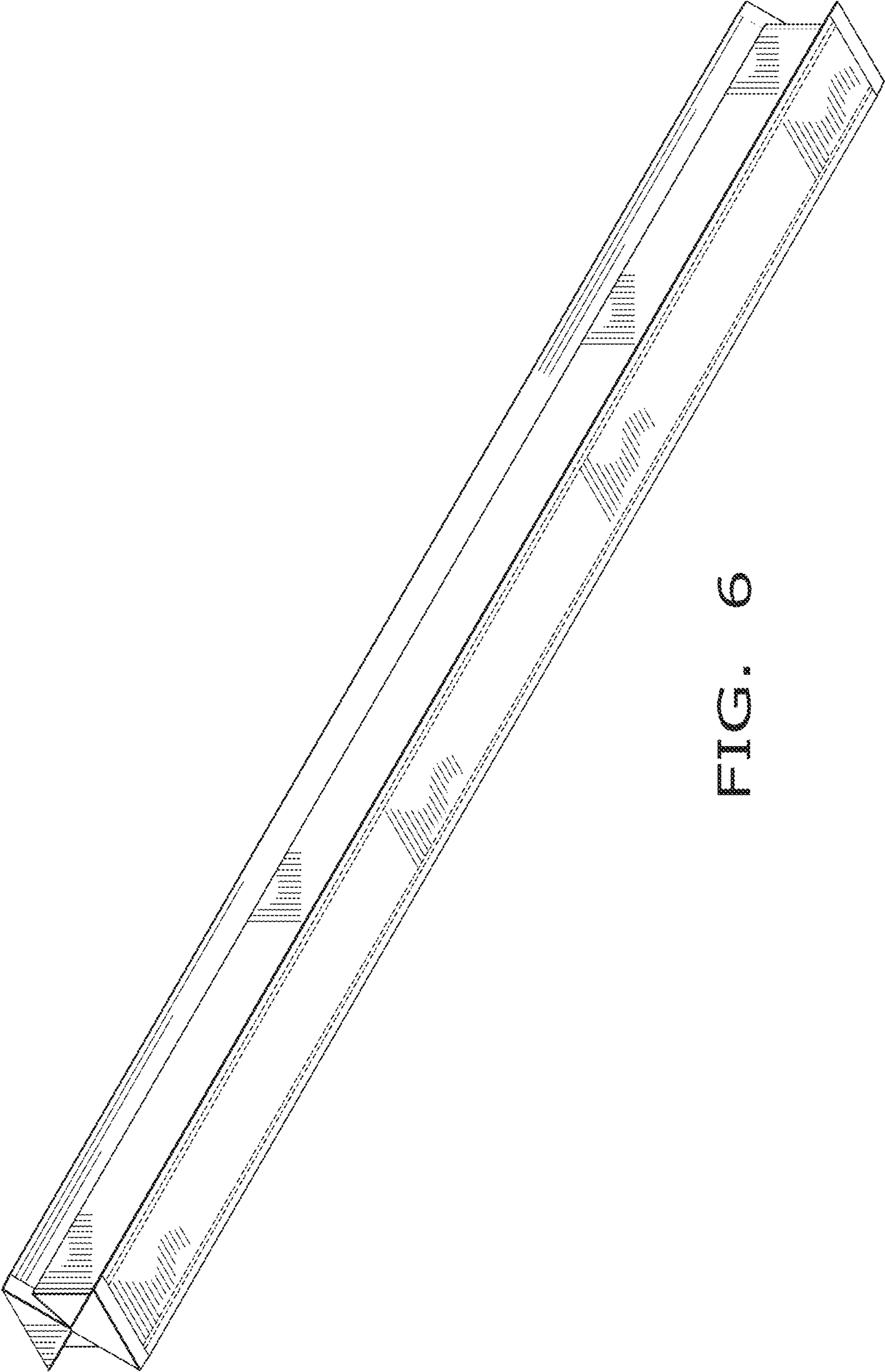


FIG. 6

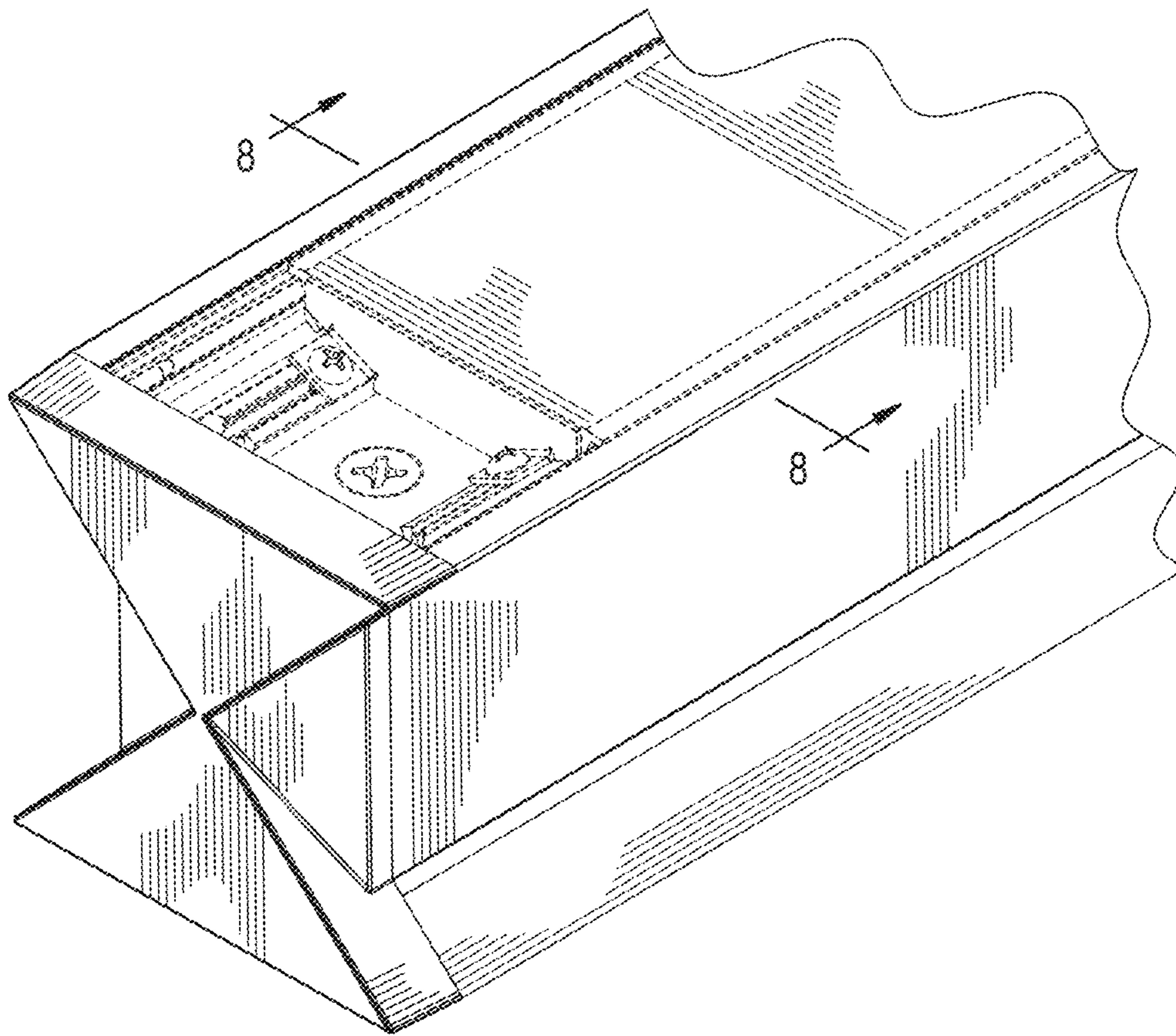


FIG. 7

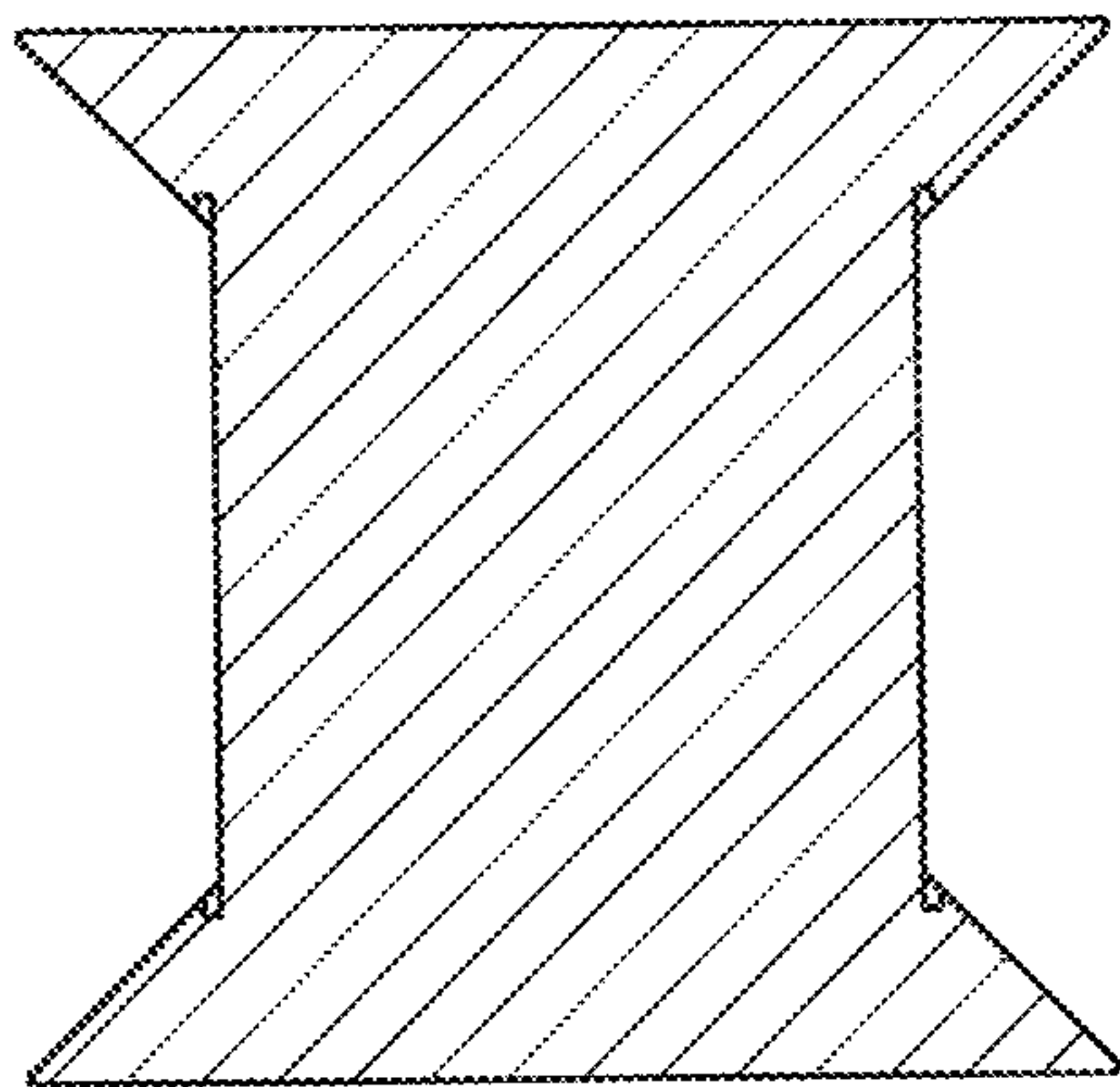


FIG. 8

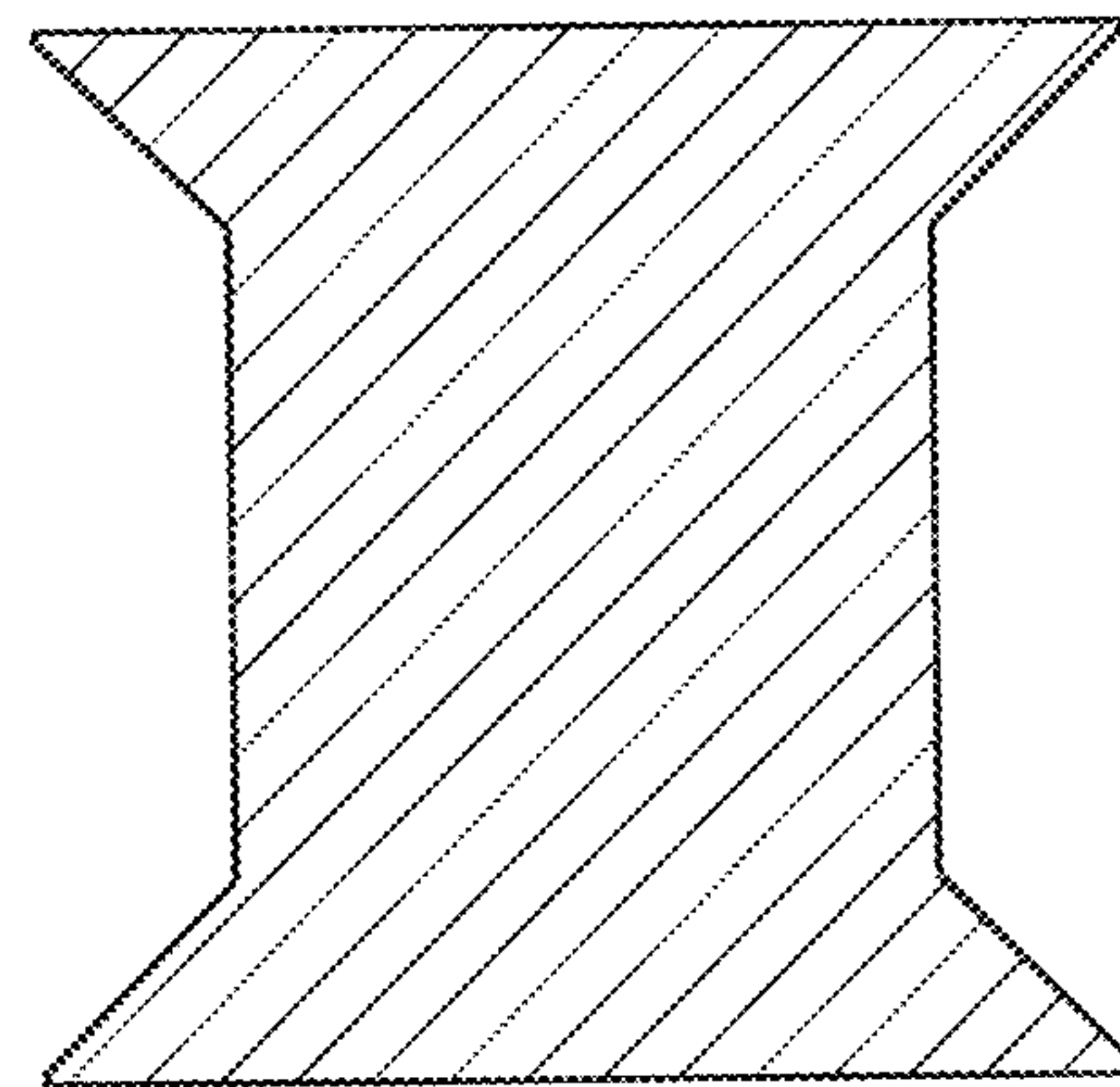


FIG. 9