



US00D886352S

(12) **United States Design Patent**
Hu

(10) **Patent No.:** **US D886,352 S**

(45) **Date of Patent:** **** Jun. 2, 2020**

(54) **MULTI-FUNCTIONAL LED LIGHT**

(71) Applicant: **Ningbo Bright Electric Co., Ltd.**,
ZheJiang (CN)

(72) Inventor: **Zhenfei Hu**, ZheJiang (CN)

(**) Term: **15 Years**

(21) Appl. No.: **29/657,067**

(22) Filed: **Jul. 18, 2018**

(51) **LOC (12) Cl.** **26-03**

(52) **U.S. Cl.**
USPC **D26/63**

(58) **Field of Classification Search**

USPC D26/1, 24, 61, 63, 65, 85, 92, 118
CPC F21V 21/14; F21V 15/01; F21V 14/02;
F21V 21/30; F21V 21/00; F21V 14/00;
F21S 8/00; F21S 8/003; F21S 8/043;
F21Y 2105/001

See application file for complete search history.

(56) **References Cited**

U.S. PATENT DOCUMENTS

D500,379 S * 12/2004 Kunzler D26/63
D699,878 S * 2/2014 Quadri D26/63

D788,964 S * 6/2017 Peard D26/61
D821,012 S * 6/2018 Gong D26/63
D859,715 S * 9/2019 Windom D26/63

* cited by examiner

Primary Examiner — Brian N. Vinson

(74) *Attorney, Agent, or Firm* — Prakash Nama; Global IP Services, PLLC

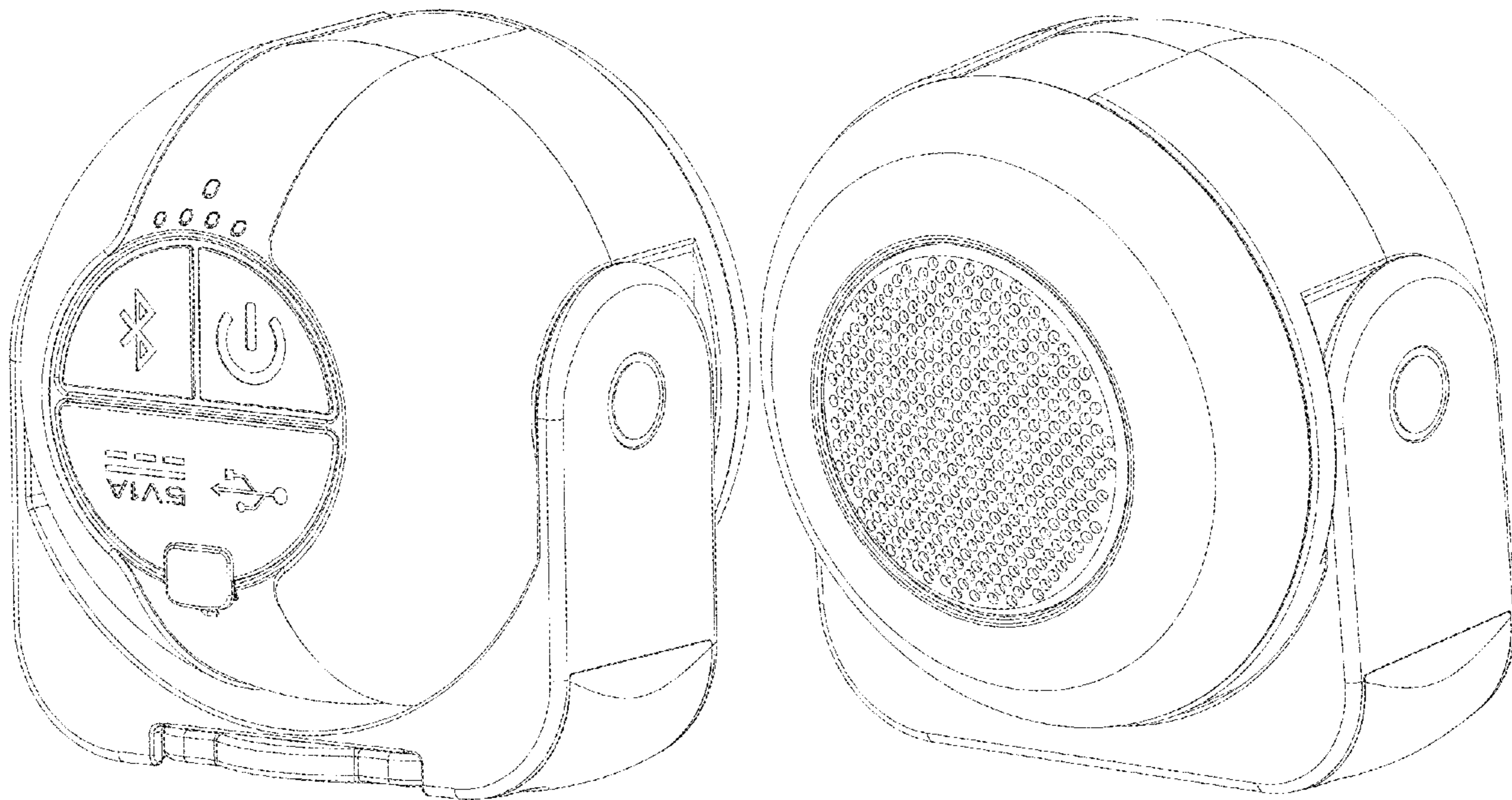
(57) **CLAIM**

The ornamental design for a multi-functional LED light, as shown.

DESCRIPTION

FIG. 1 is a front elevational view of a multi-functional LED light showing my new design;
FIG. 2 is a rear elevational view thereof;
FIG. 3 is a left side view thereof;
FIG. 4 is a right side view thereof;
FIG. 5 is an enlarged top plan view thereof;
FIG. 6 is an enlarged bottom plan view thereof;
FIG. 7 is a perspective view thereof; and,
FIG. 8 is another perspective view thereof.

1 Claim, 4 Drawing Sheets



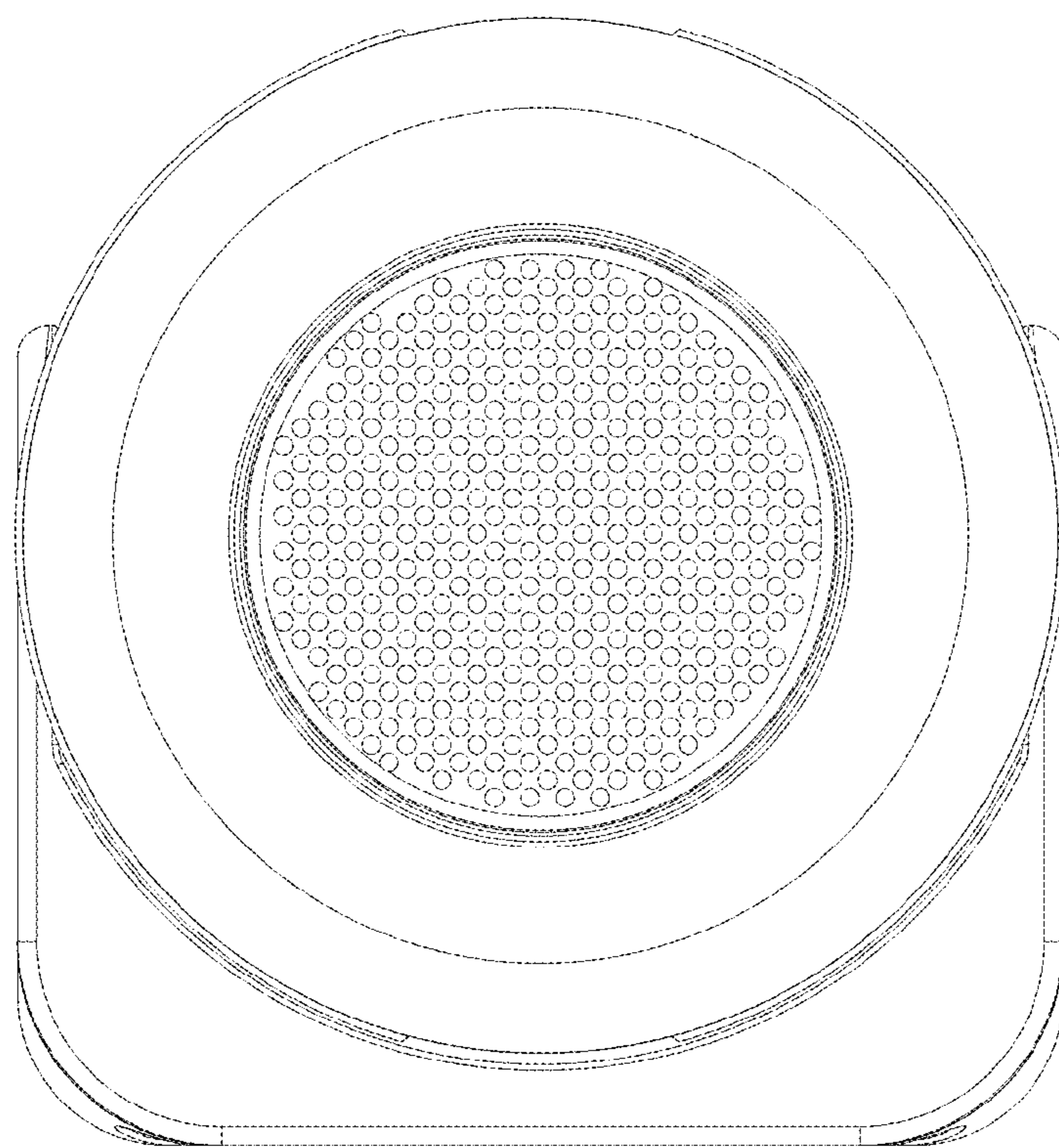


Fig. 1

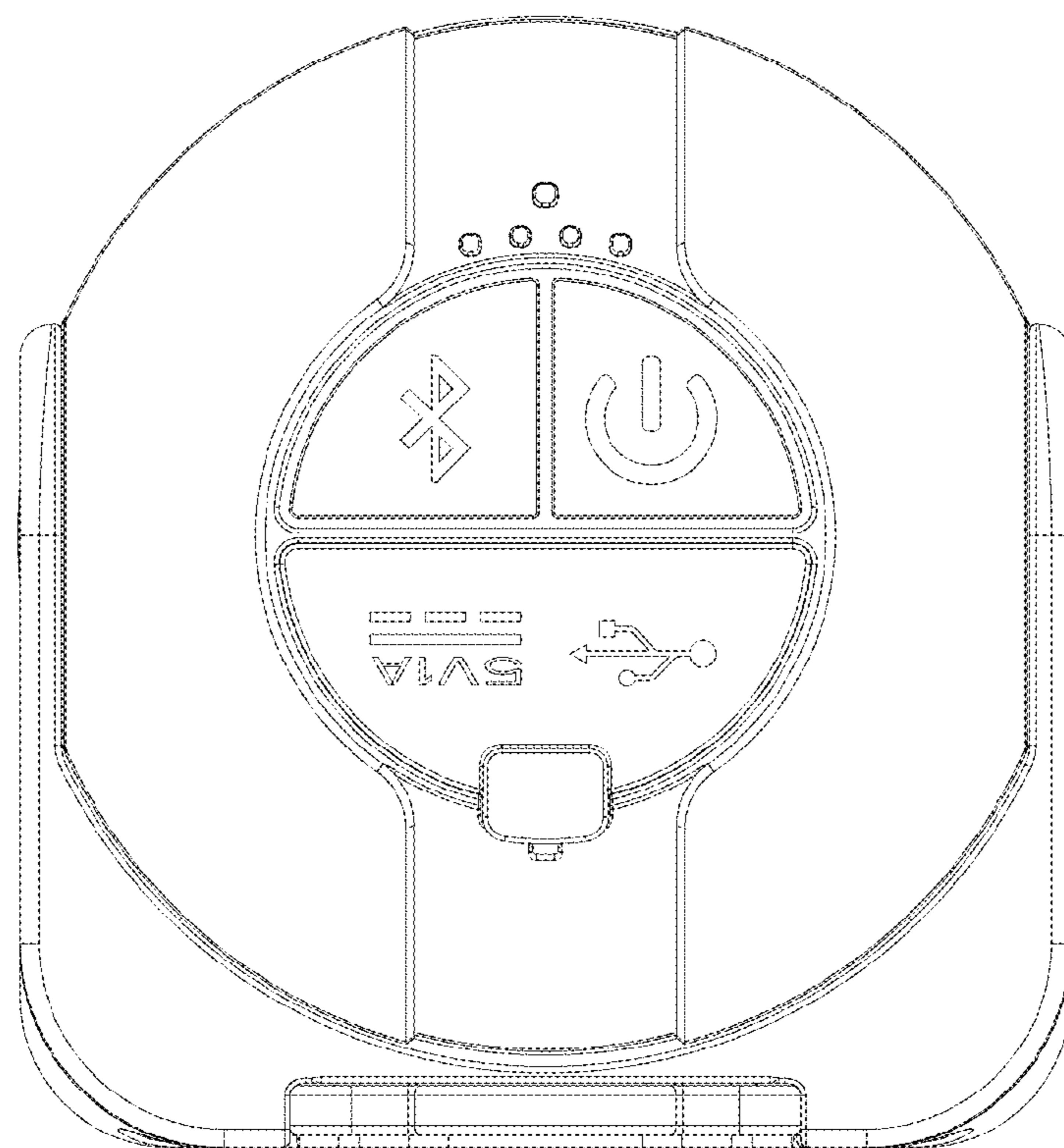


Fig. 2

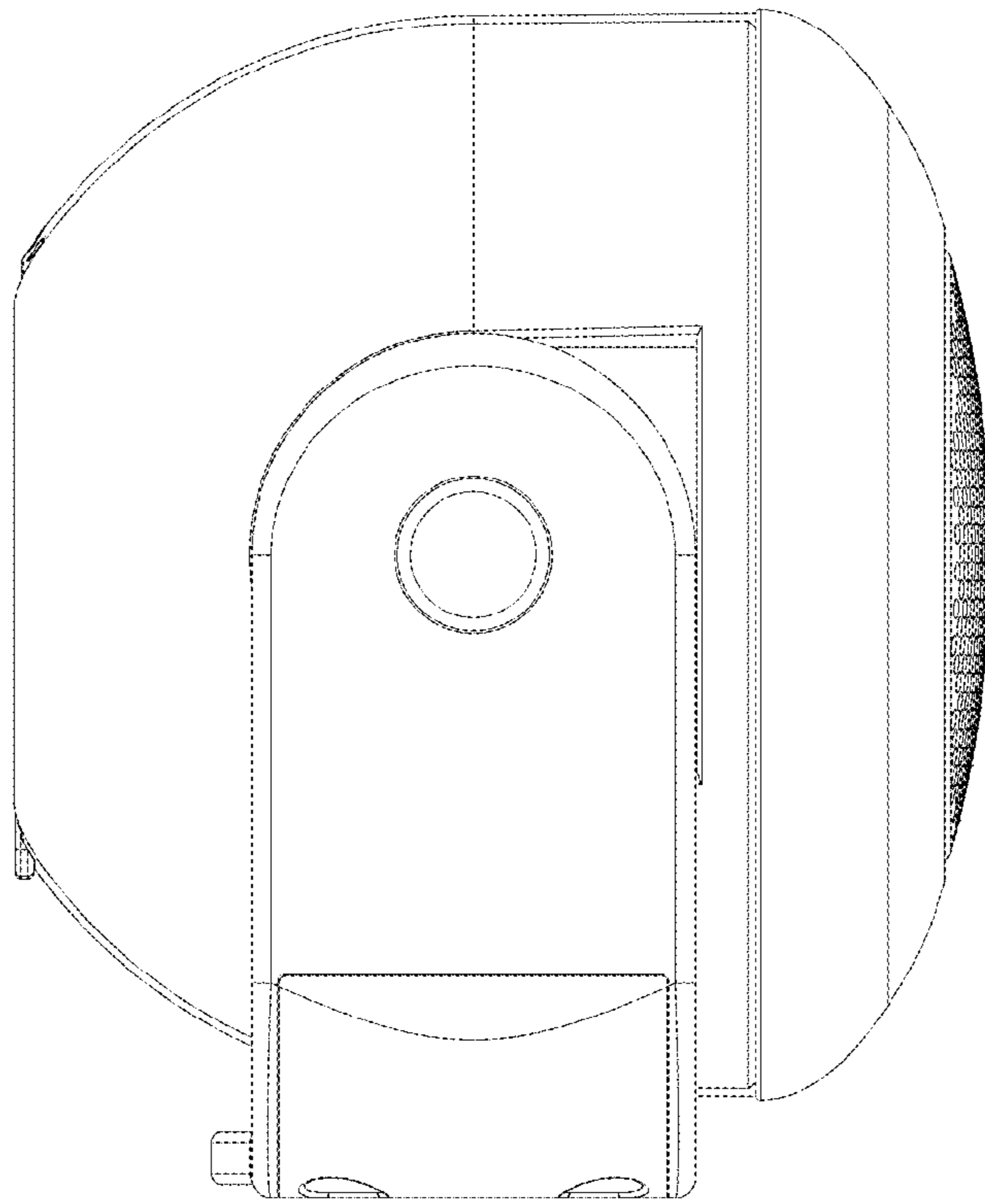


Fig. 3

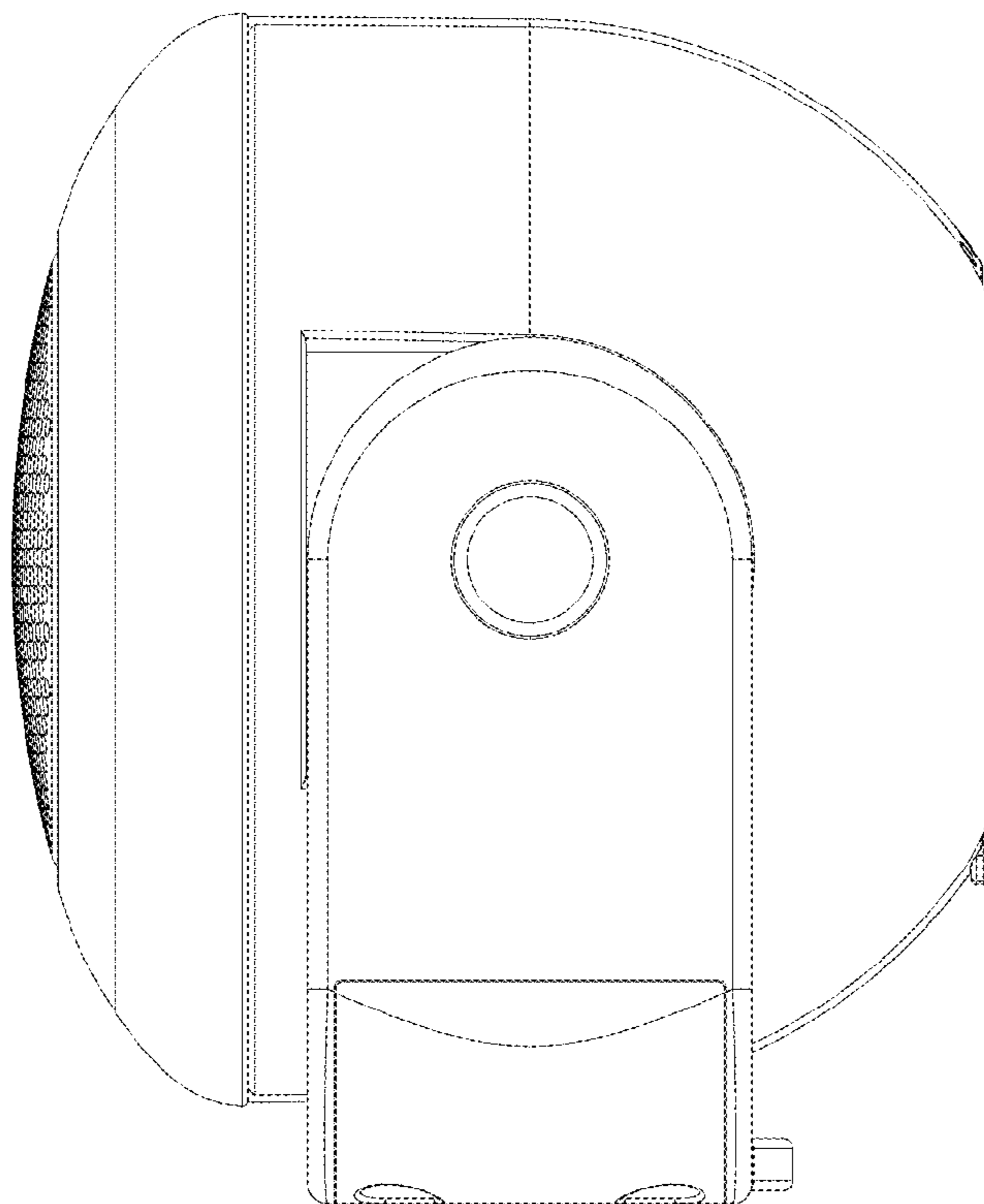


Fig. 4

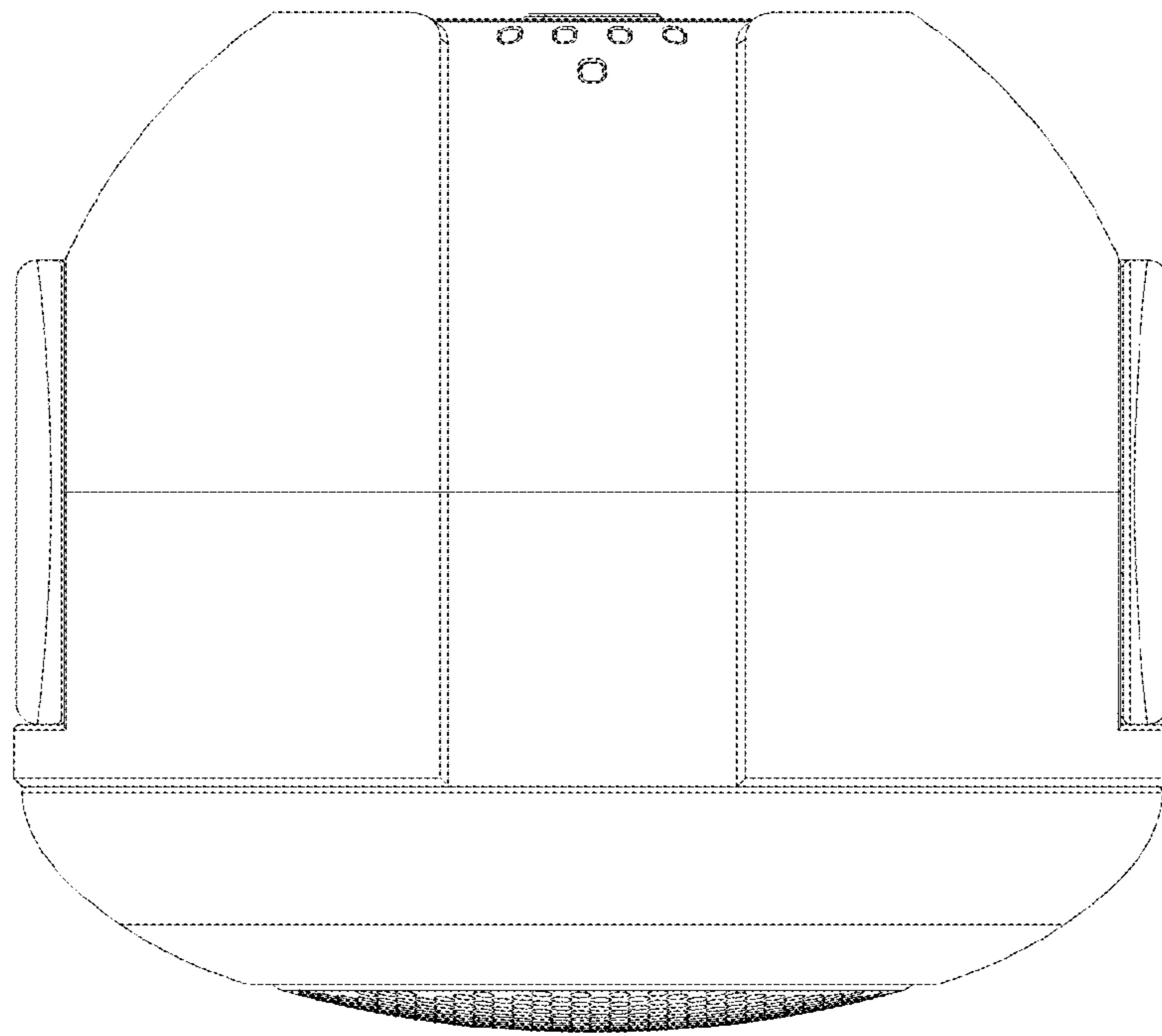


Fig. 5

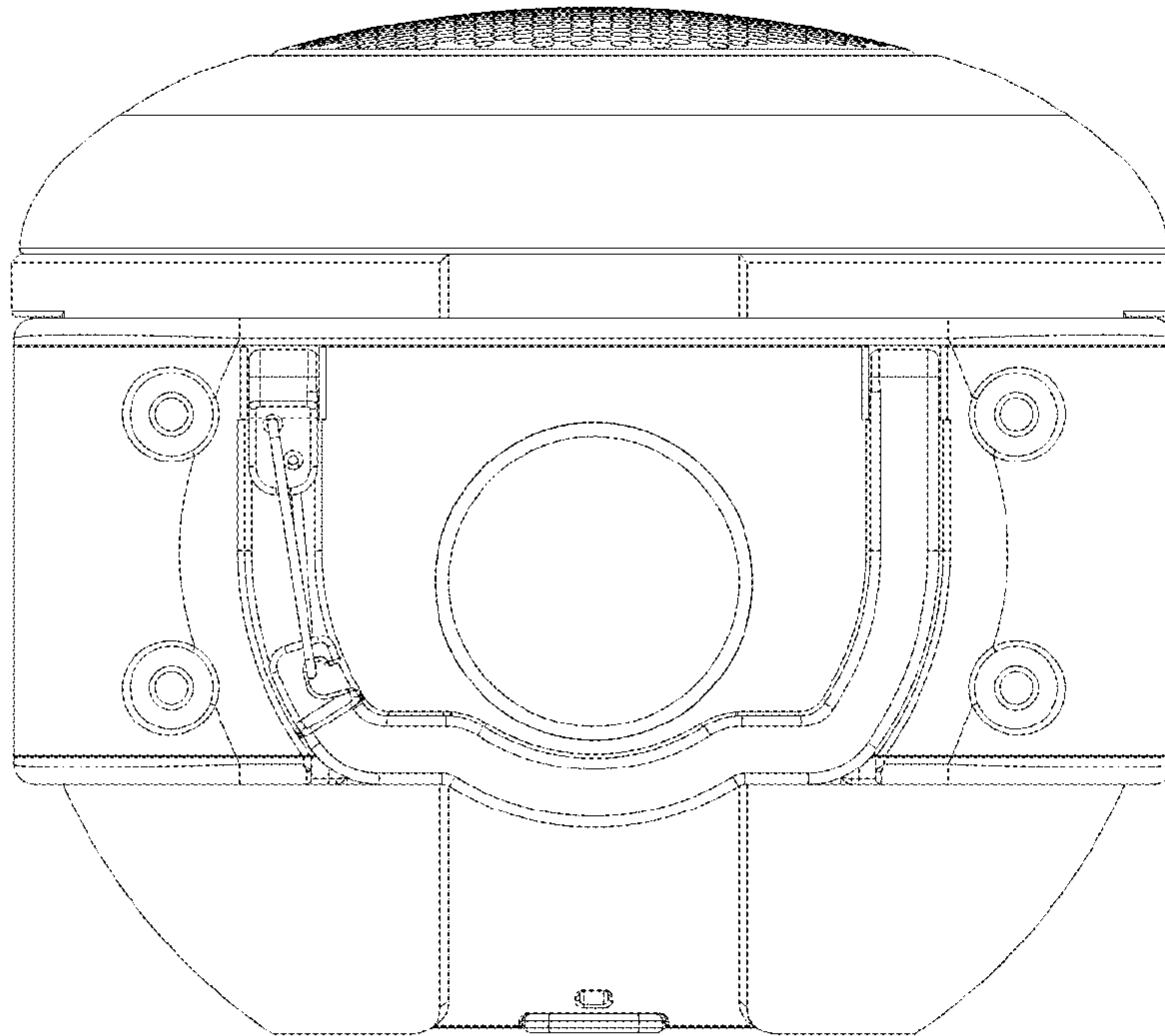


Fig. 6

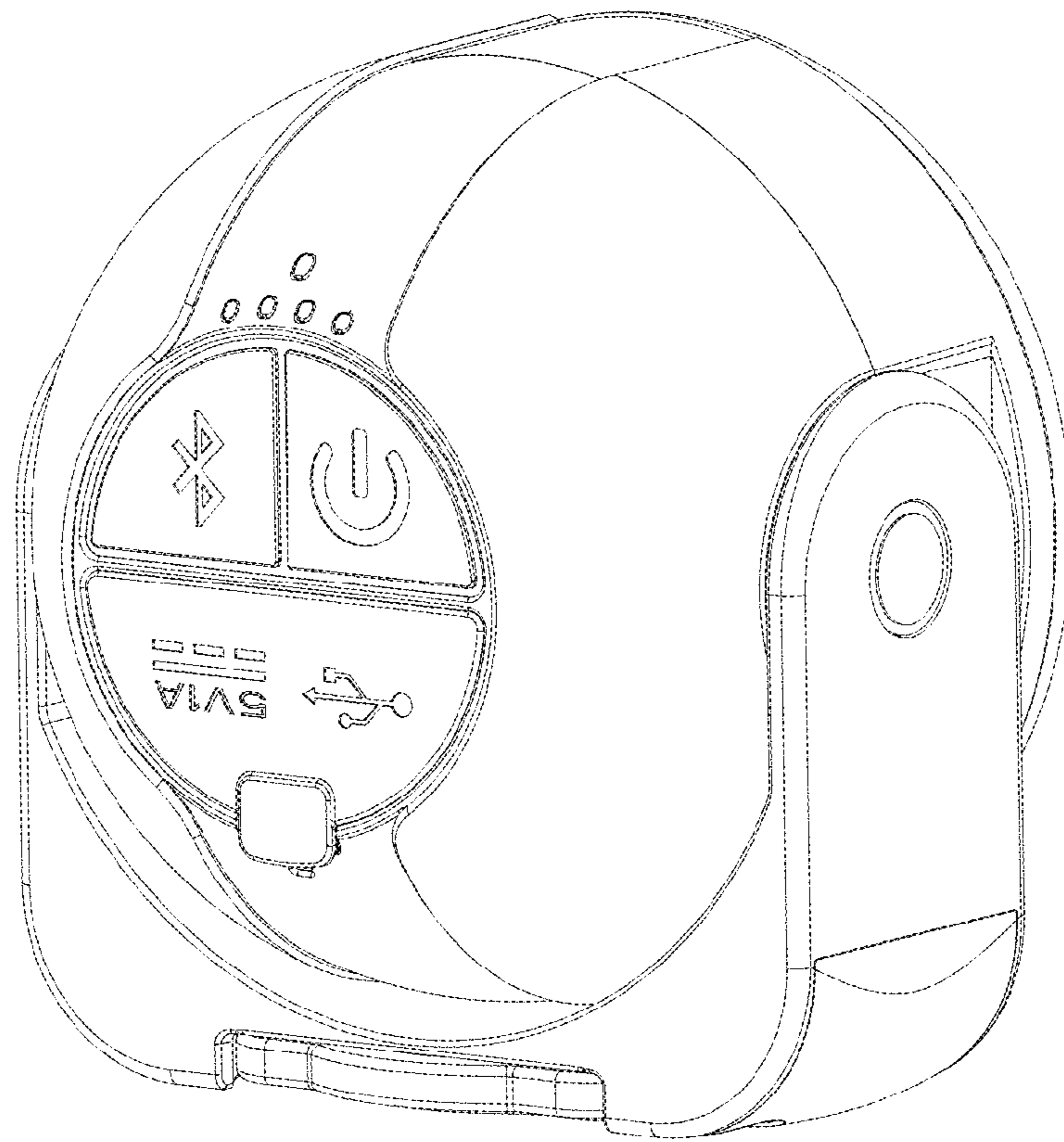


Fig. 7

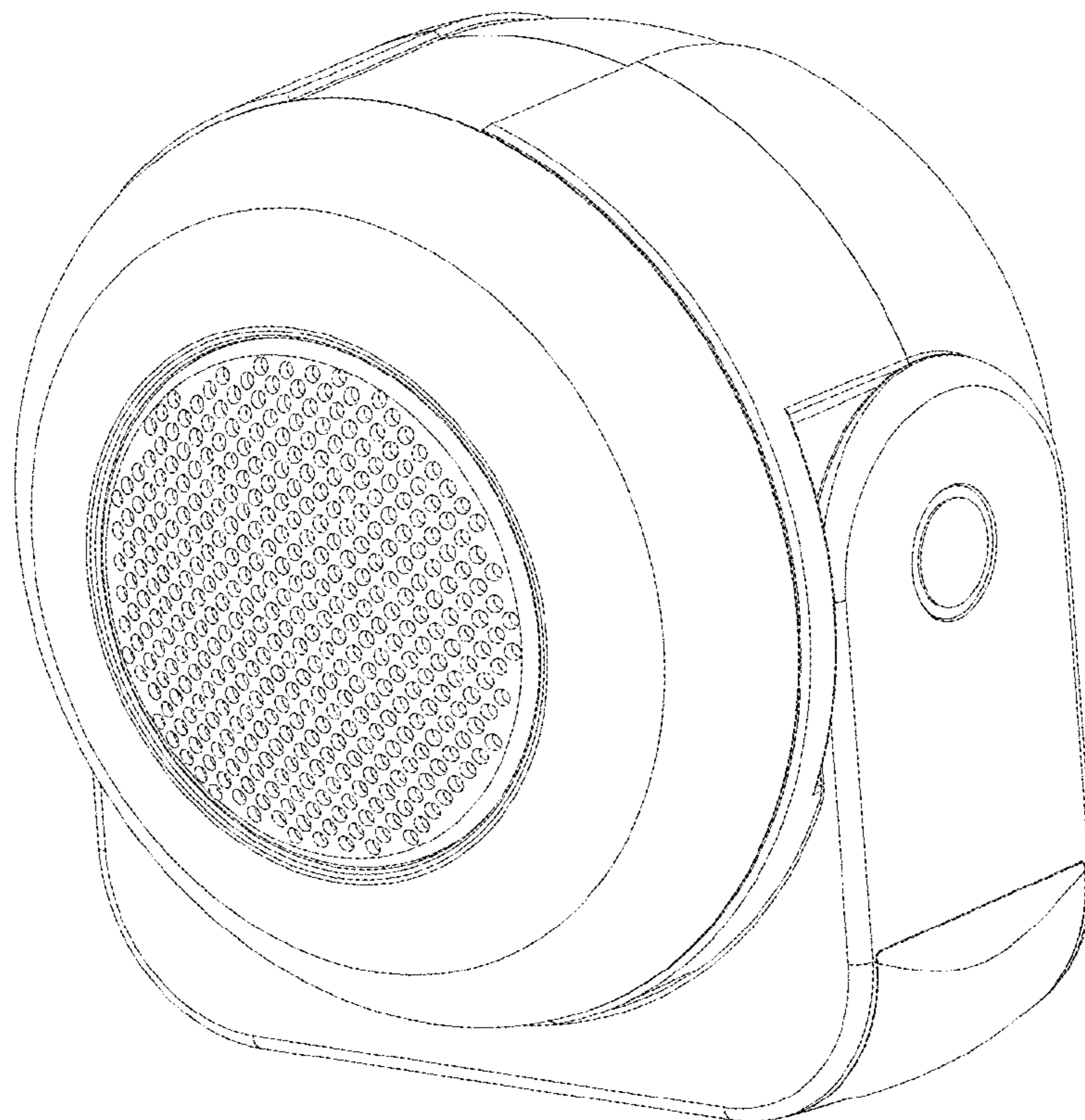


Fig. 8