



US00D886350S

(12) **United States Design Patent**
Chen et al.

(10) **Patent No.:** **US D886,350 S**

(45) **Date of Patent:** **** Jun. 2, 2020**

(54) **LIGHTING FIXTURE FOR A STADIUM**

(71) Applicant: **HANGZHOU HPWINNER OPTO CORPORATION**, Hangzhou, Zhejiang Province (CN)

(72) Inventors: **Kai Chen**, Hangzhou (CN); **Jianming Huang**, Hangzhou (CN)

(73) Assignee: **HANGZHOU HPWINNER OPTO CORPORATION**, Hangzhou, Zhejiang Province (CN)

(**) Term: **15 Years**

(21) Appl. No.: **29/653,972**

(22) Filed: **Jun. 20, 2018**

(30) **Foreign Application Priority Data**

Jan. 8, 2018 (CN) 2018 3 0006728

(51) **LOC (12) Cl.** **26-03**

(52) **U.S. Cl.**
USPC **D26/63**

(58) **Field of Classification Search**
USPC D26/1, 24, 61, 63, 65, 85, 92
CPC F21V 21/14; F21V 15/01; F21V 14/02;
F21V 21/30; F21V 21/00; F21V 14/00;
F21S 8/00; F21S 8/003; F21S 8/043;
F21Y 2105/001

See application file for complete search history.

(56) **References Cited**

U.S. PATENT DOCUMENTS

D296,829 S * 7/1988 Peppers D26/63

D650,505 S *	12/2011	Oka	D26/63
D712,581 S *	9/2014	Scarlata	D26/65
D713,081 S *	9/2014	Scarlata	D26/65
D734,523 S *	7/2015	Boudewyns	D26/63
D744,143 S *	11/2015	Bobel	D26/63
D762,901 S *	8/2016	Boissevain	D26/63
D788,966 S *	6/2017	Gan	D26/63
D803,449 S *	11/2017	Xu	D26/63
D848,654 S *	5/2019	Zhu	D26/63
D854,211 S *	7/2019	Li	D26/63

* cited by examiner

Primary Examiner — Brian N. Vinson

(74) *Attorney, Agent, or Firm* — Muncy, Geissler, Olds & Lowe, P.C.

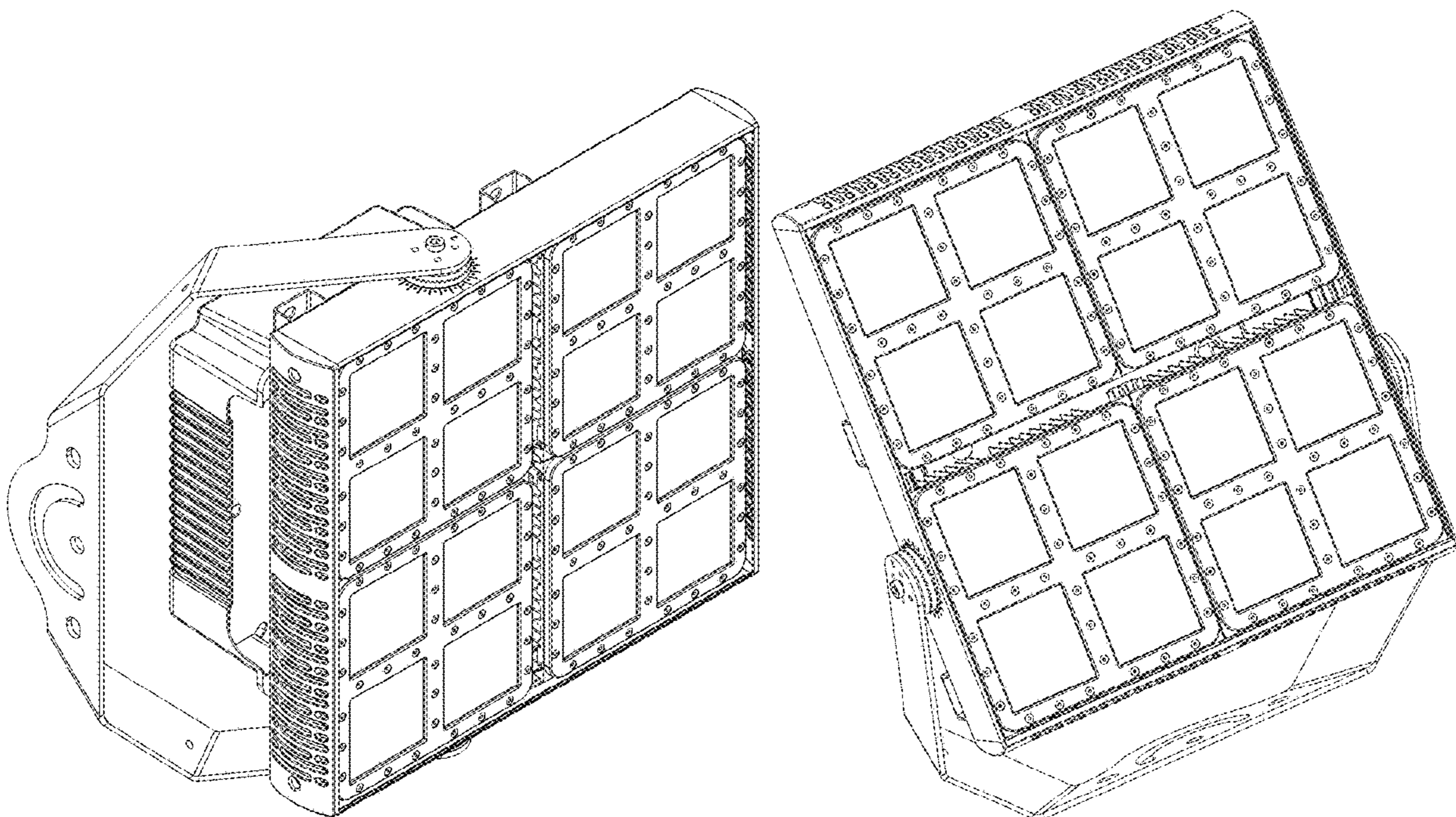
(57) **CLAIM**

The ornamental design for a lighting fixture for a stadium, as shown and described.

DESCRIPTION

FIG. 1 is a front elevational view of a lighting fixture for a stadium showing our new design;
FIG. 2 is a rear elevational view thereof;
FIG. 3 is a left side elevational view thereof;
FIG. 4 is a right side elevational view thereof;
FIG. 5 is a top plan view thereof;
FIG. 6 is a bottom plan view thereof;
FIG. 7 is a front perspective view thereof; and,
FIG. 8 is another front perspective view thereof.

1 Claim, 8 Drawing Sheets



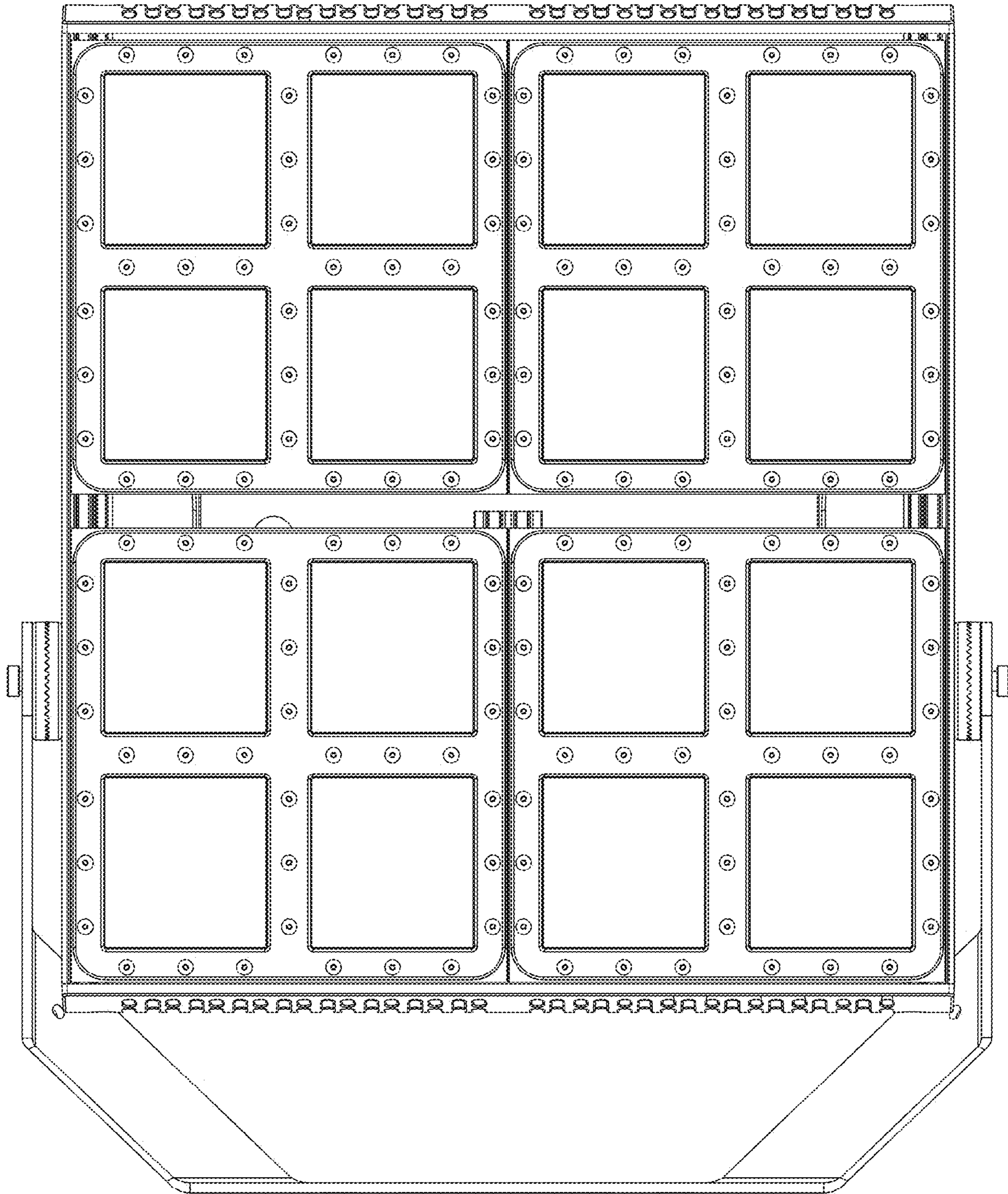


FIG. 1

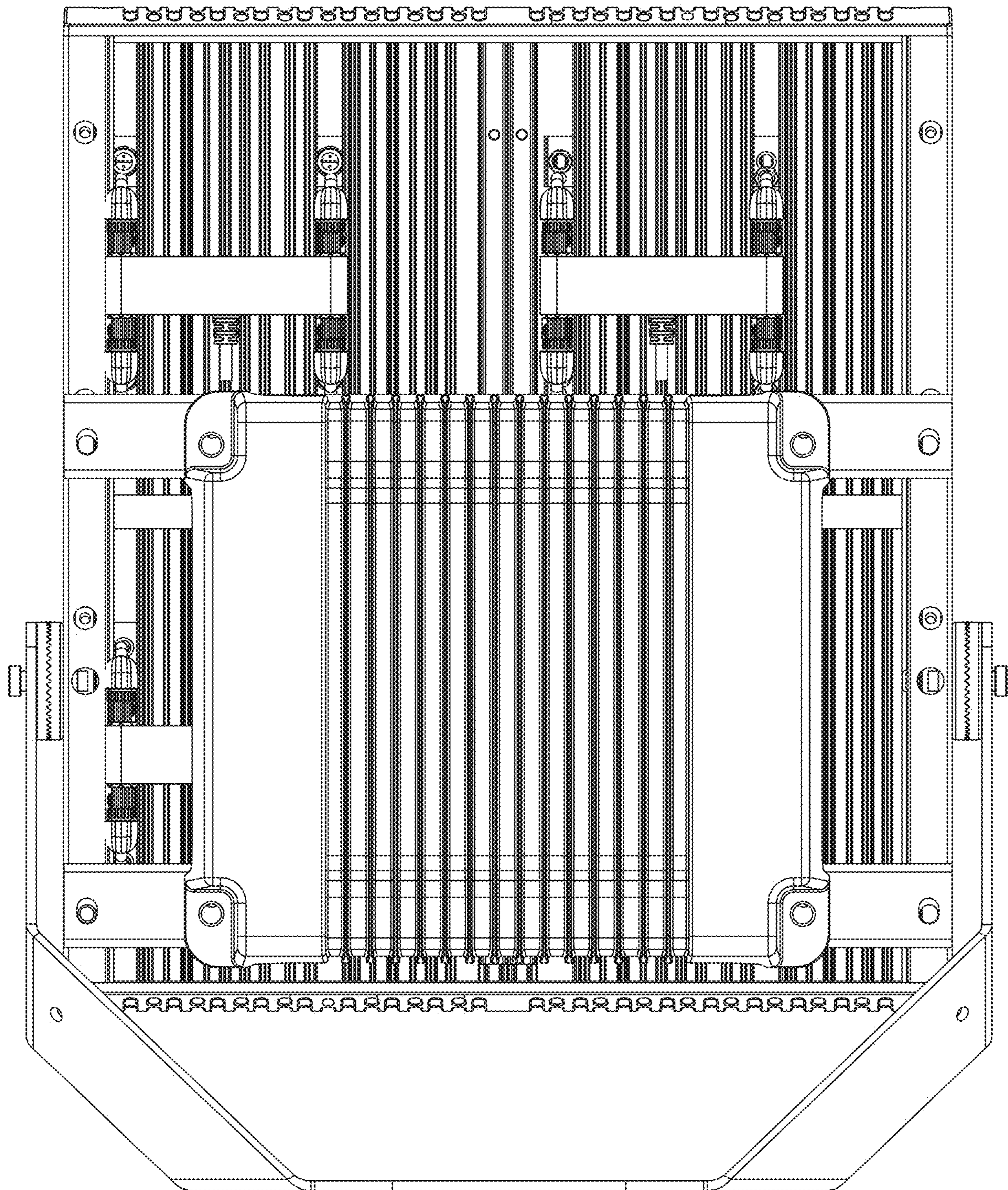


FIG. 2

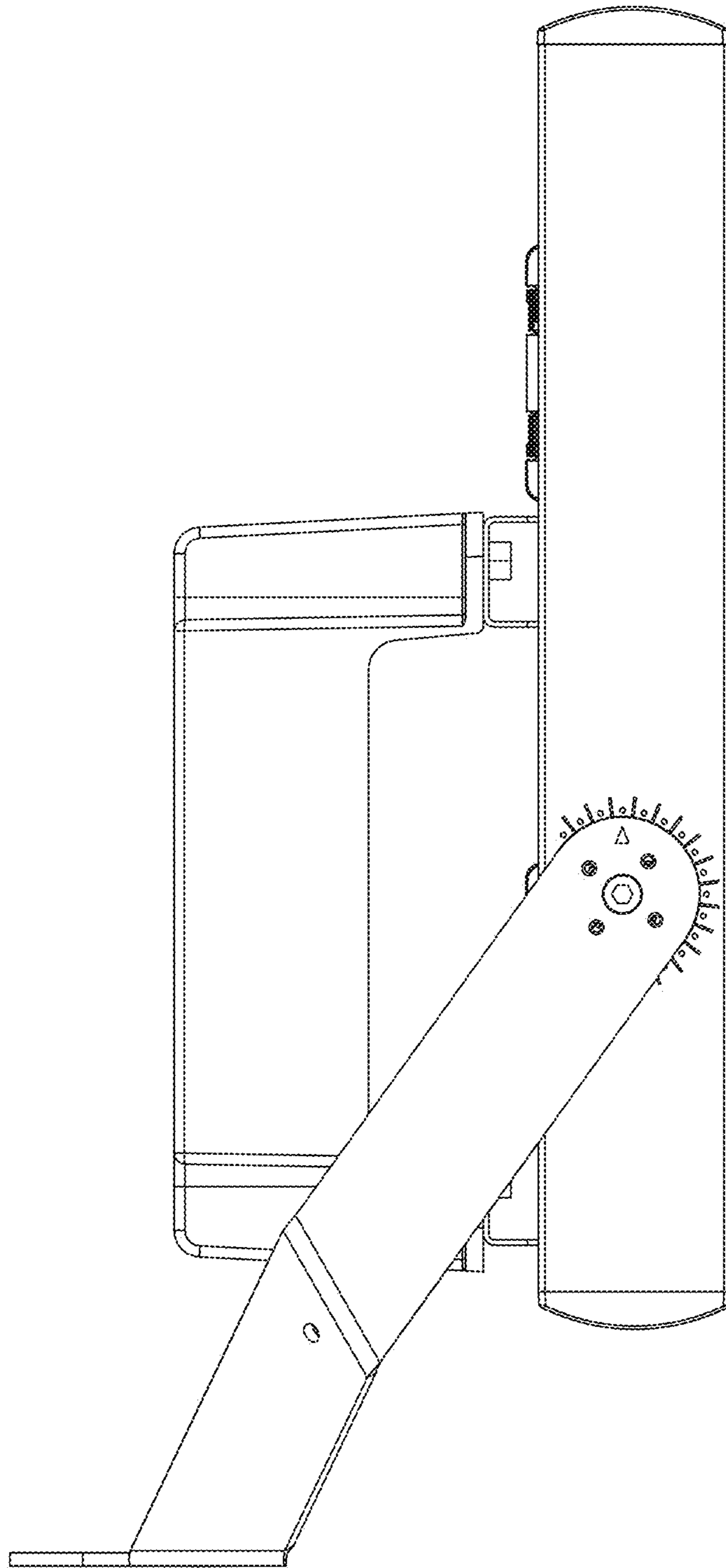


FIG. 3

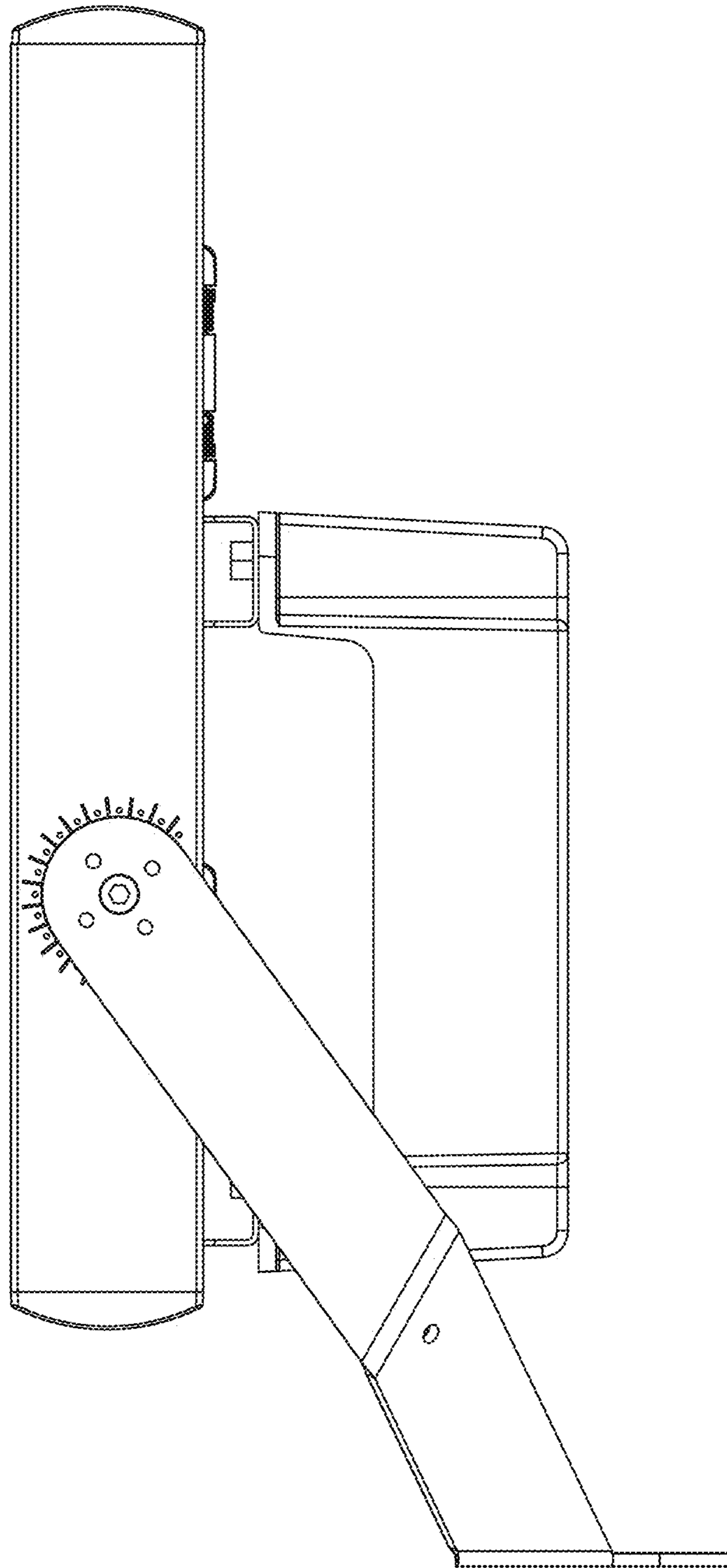


FIG. 4

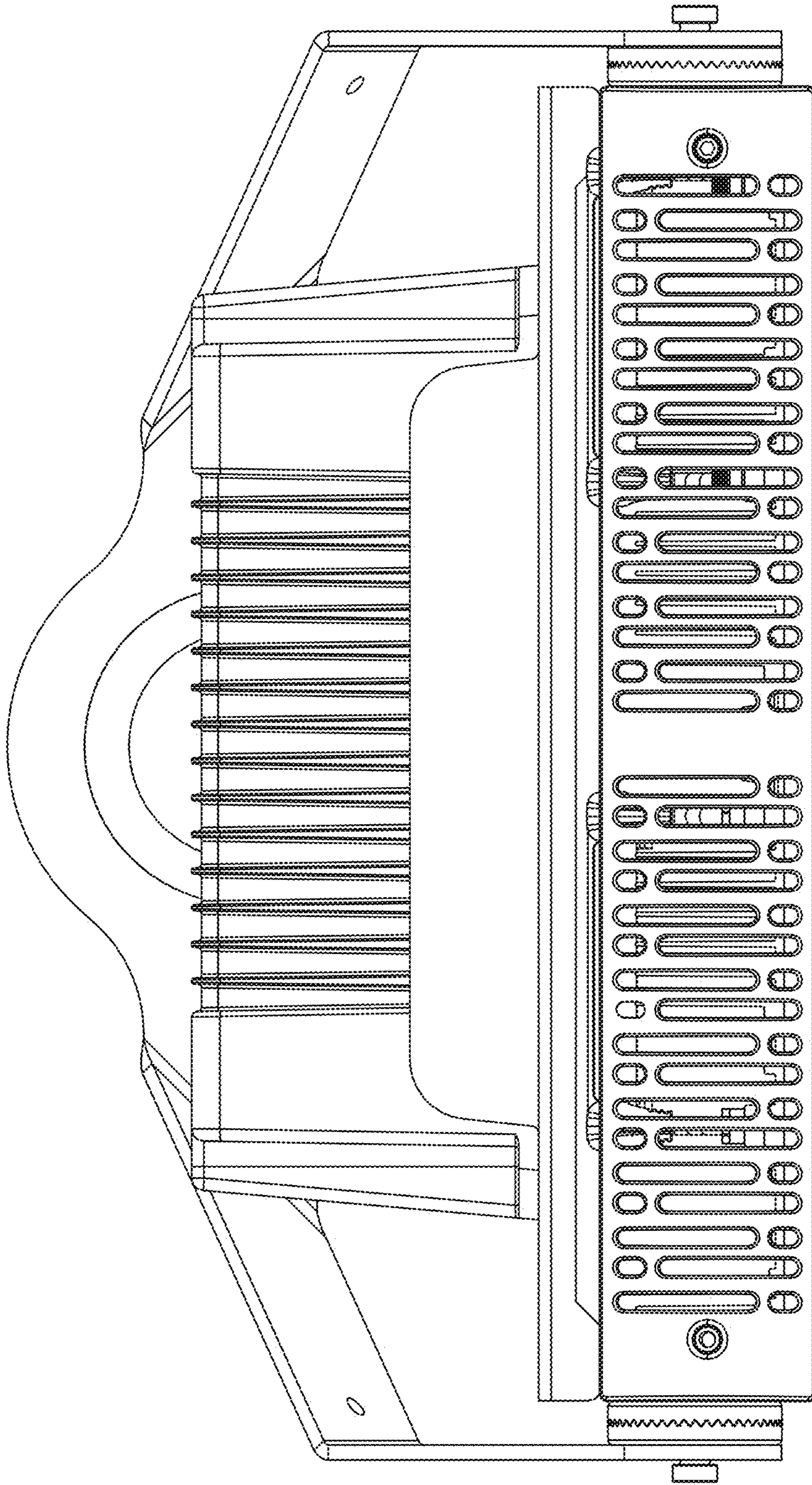


FIG. 5

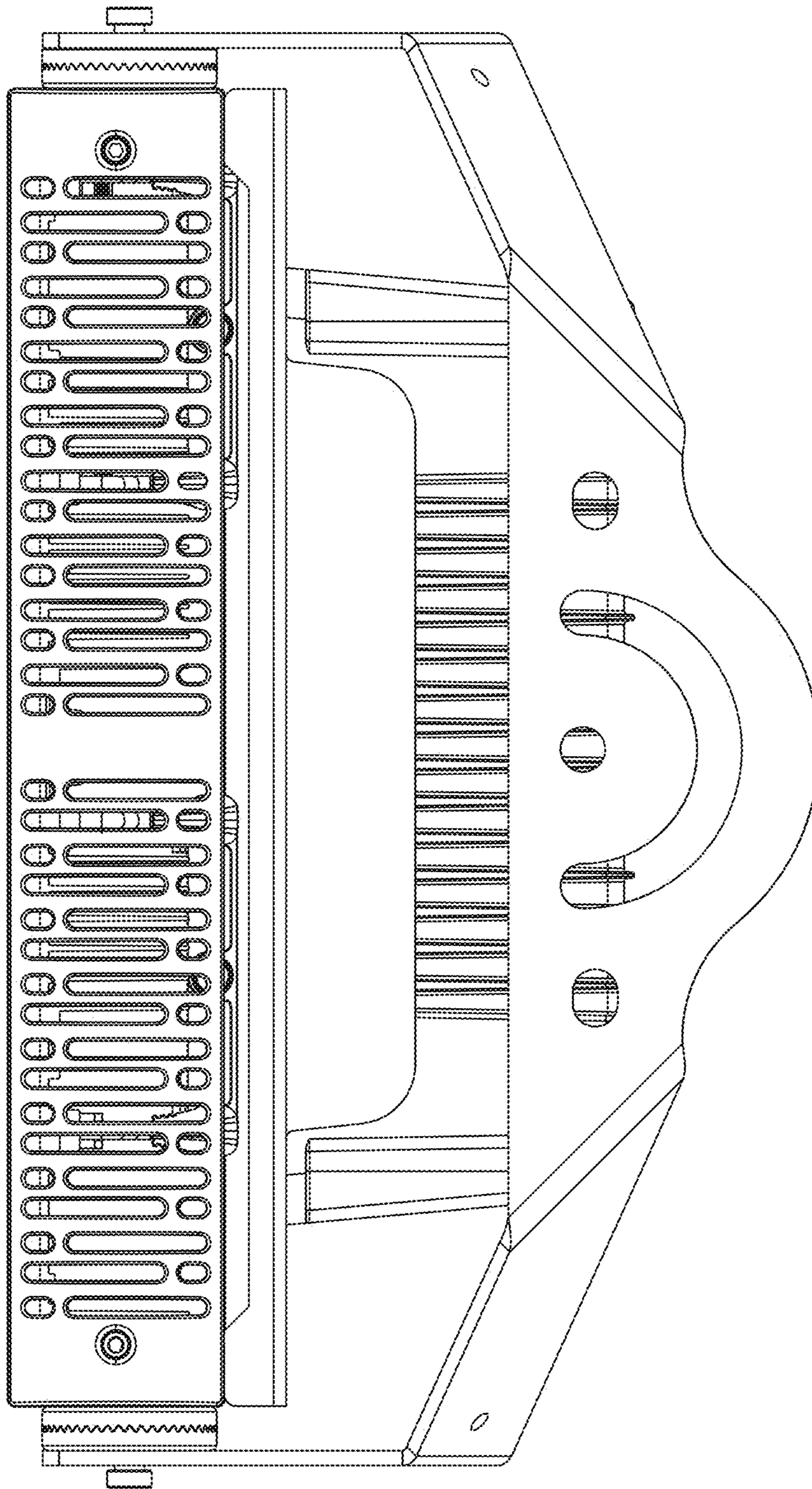


FIG. 6

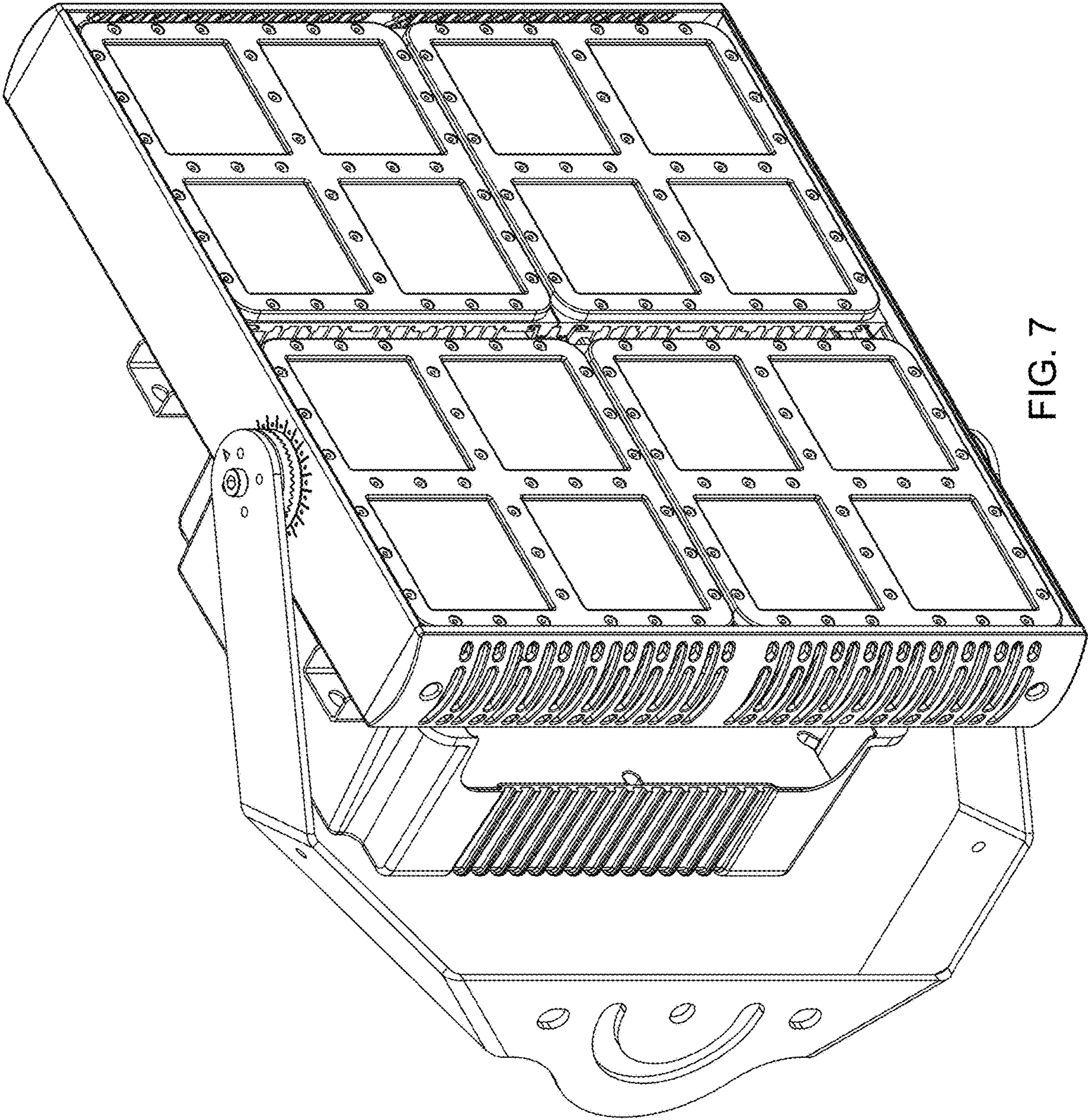


FIG. 7

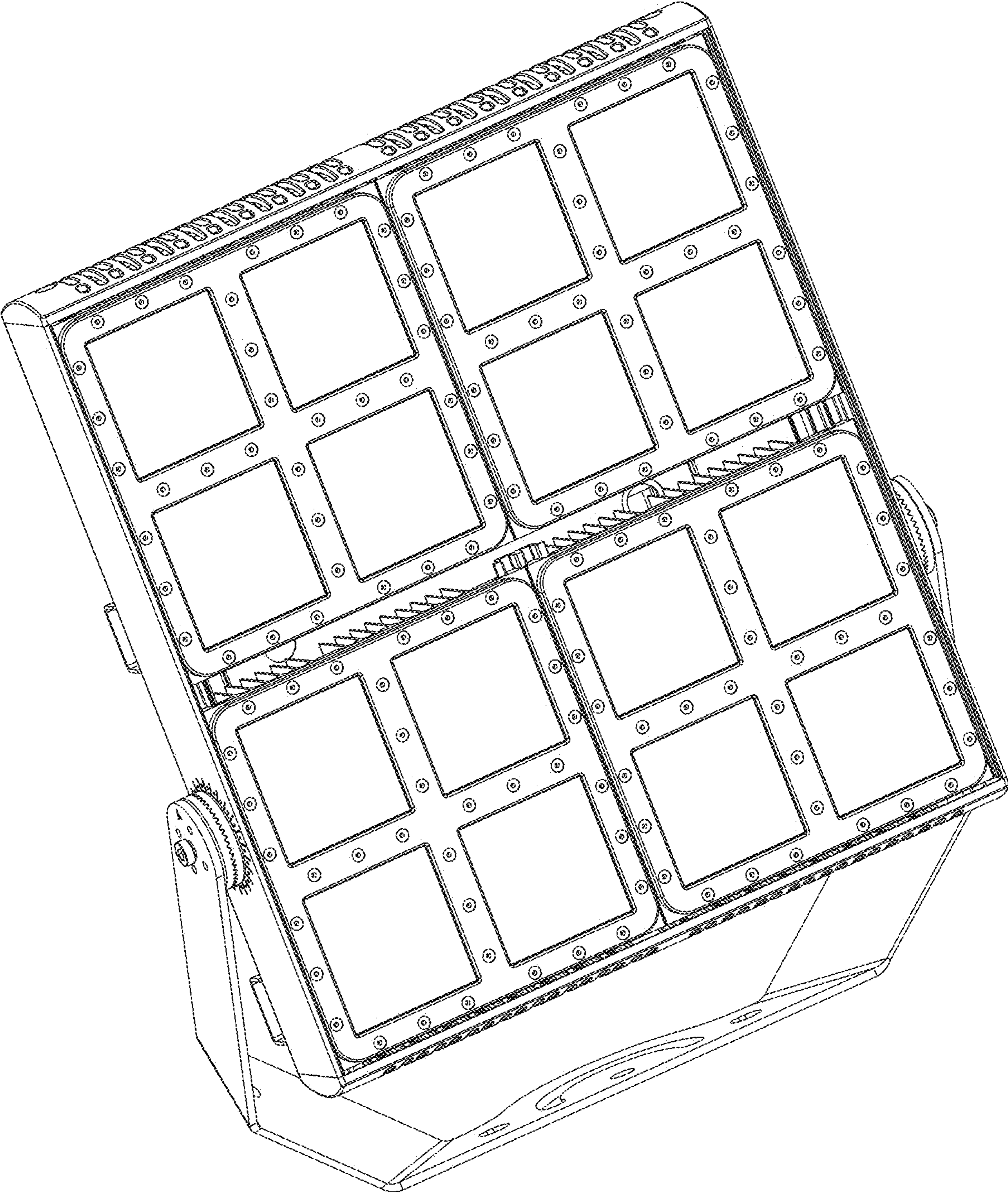


FIG. 8