



US00D886348S

(12) **United States Design Patent** (10) **Patent No.:** **US D886,348 S**
Liu (45) **Date of Patent:** **** Jun. 2, 2020**

(54) **STAGE INTELLIGENT LIGHT**

D770,656 S * 11/2016 Quadri D26/63
D788,964 S * 6/2017 Peard D26/61

(71) Applicant: **Guangzhou GTD Culture & Technology Group Co., Ltd.**,
Guangzhou (CN)

* cited by examiner

(72) Inventor: **Shuihe Liu**, Guangzhou (CN)

Primary Examiner — Brian N. Vinson

(73) Assignee: **Guangzhou GTD Culture & Technology Group Co., Ltd.**,
Guangzhou, Guangdong (CN)

(74) *Attorney, Agent, or Firm* — D'Ambrosio & Menon,
PLLC; Usha Menon

(**) Term: **15 Years**

(57) **CLAIM**

The ornamental design for a stage intelligent light, as shown and described.

(21) Appl. No.: **29/653,874**

DESCRIPTION

(22) Filed: **Jun. 19, 2018**

(30) **Foreign Application Priority Data**

Mar. 21, 2018 (CN) 2018 3 0105245

(51) **LOC (12) Cl.** **26-03**

(52) **U.S. Cl.**
USPC **D26/63**

(58) **Field of Classification Search**
USPC D26/1, 24, 61, 63, 65, 85, 92
CPC F21V 21/14; F21V 15/01; F21V 14/02;
F21V 21/30; F21V 21/00; F21V 14/00;
F21S 8/00; F21S 8/003; F21S 8/043;
F21Y 2105/001

See application file for complete search history.

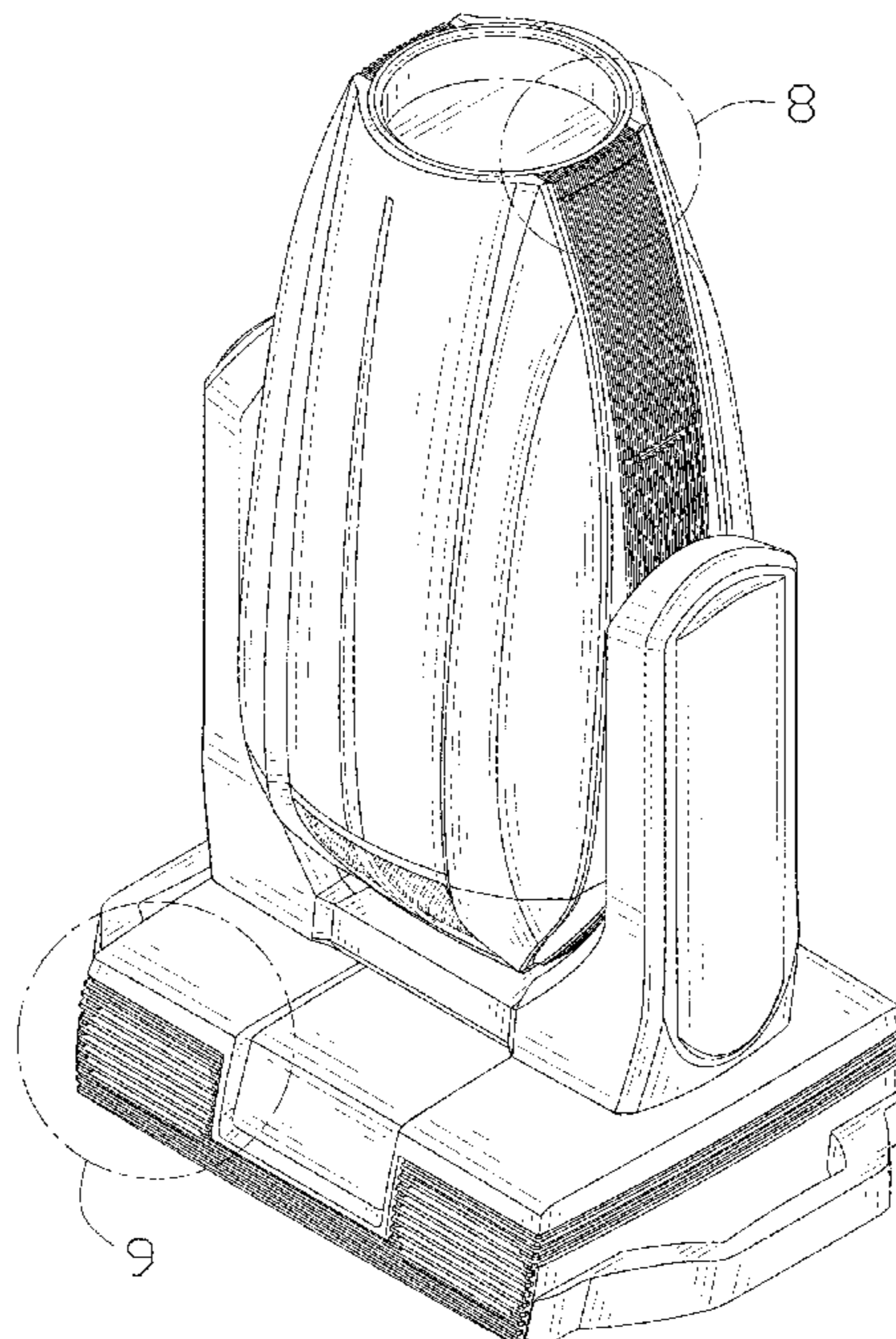
(56) **References Cited**

U.S. PATENT DOCUMENTS

D639,983 S * 6/2011 Quadri D26/61
D699,878 S * 2/2014 Quadri D26/63

FIG. 1 is a front perspective view of a stage intelligent light according to my new design;
FIG. 2 is a front elevation view thereof;
FIG. 3 is a rear elevation view thereof;
FIG. 4 is a left side elevation view thereof;
FIG. 5 is a right side elevation view thereof;
FIG. 6 is a top plan view thereof;
FIG. 7 is a bottom plan view thereof;
FIG. 8 is a partial enlarged view of Section 8 taken along the left side portion of the stage intelligent light shown in FIG. 1, the corresponding right side portion being a mirror image thereof; and,
FIG. 9 is another partial enlarged view of Section 9 taken along the front right side of the stage intelligent light shown in FIG. 1, the corresponding front left side being a mirror image thereof.
The broken lines shown in FIGS. 1, 2 and 3 illustrate portions of the stage intelligent light that form no part of the claimed design.

1 Claim, 9 Drawing Sheets



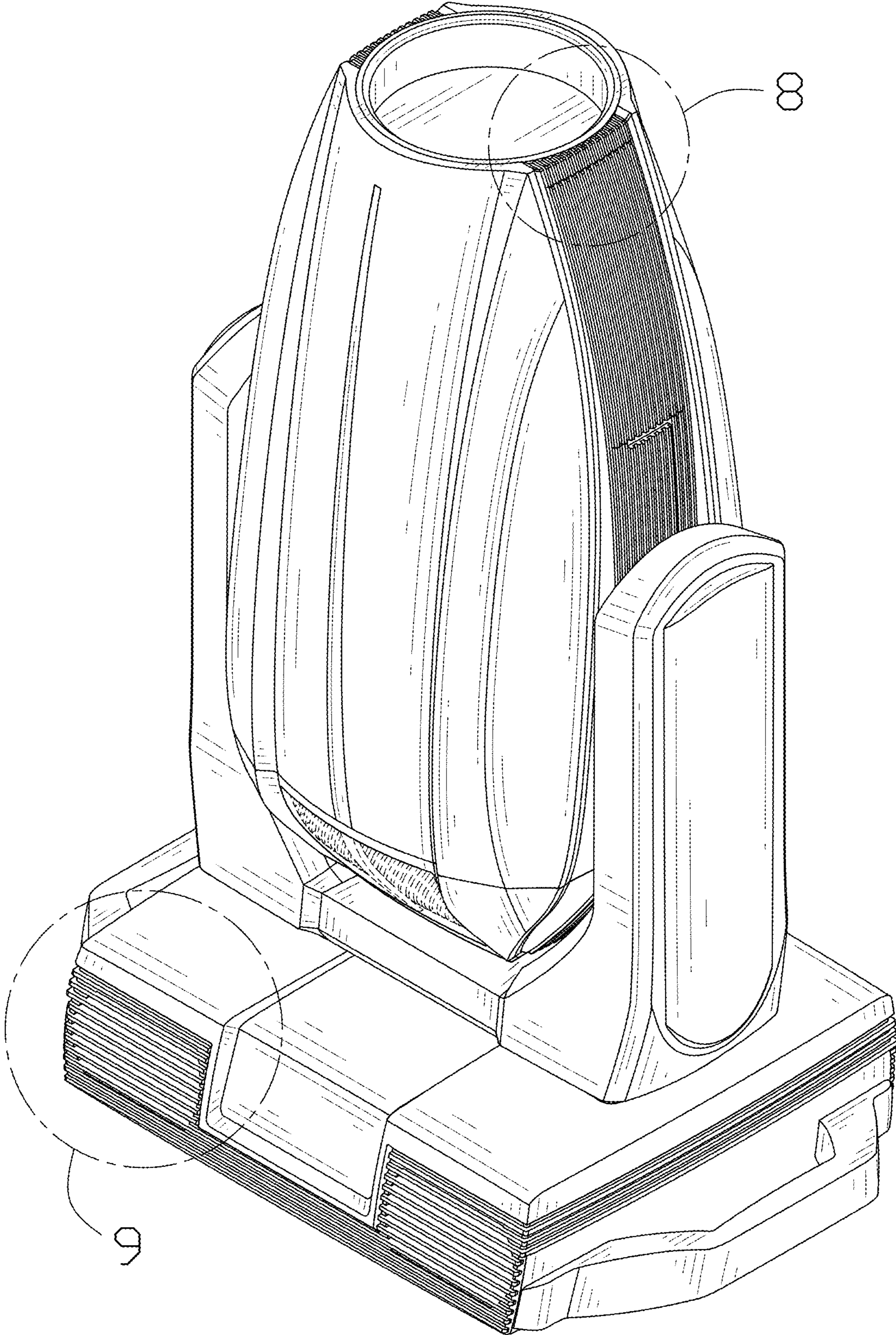


FIG. 1

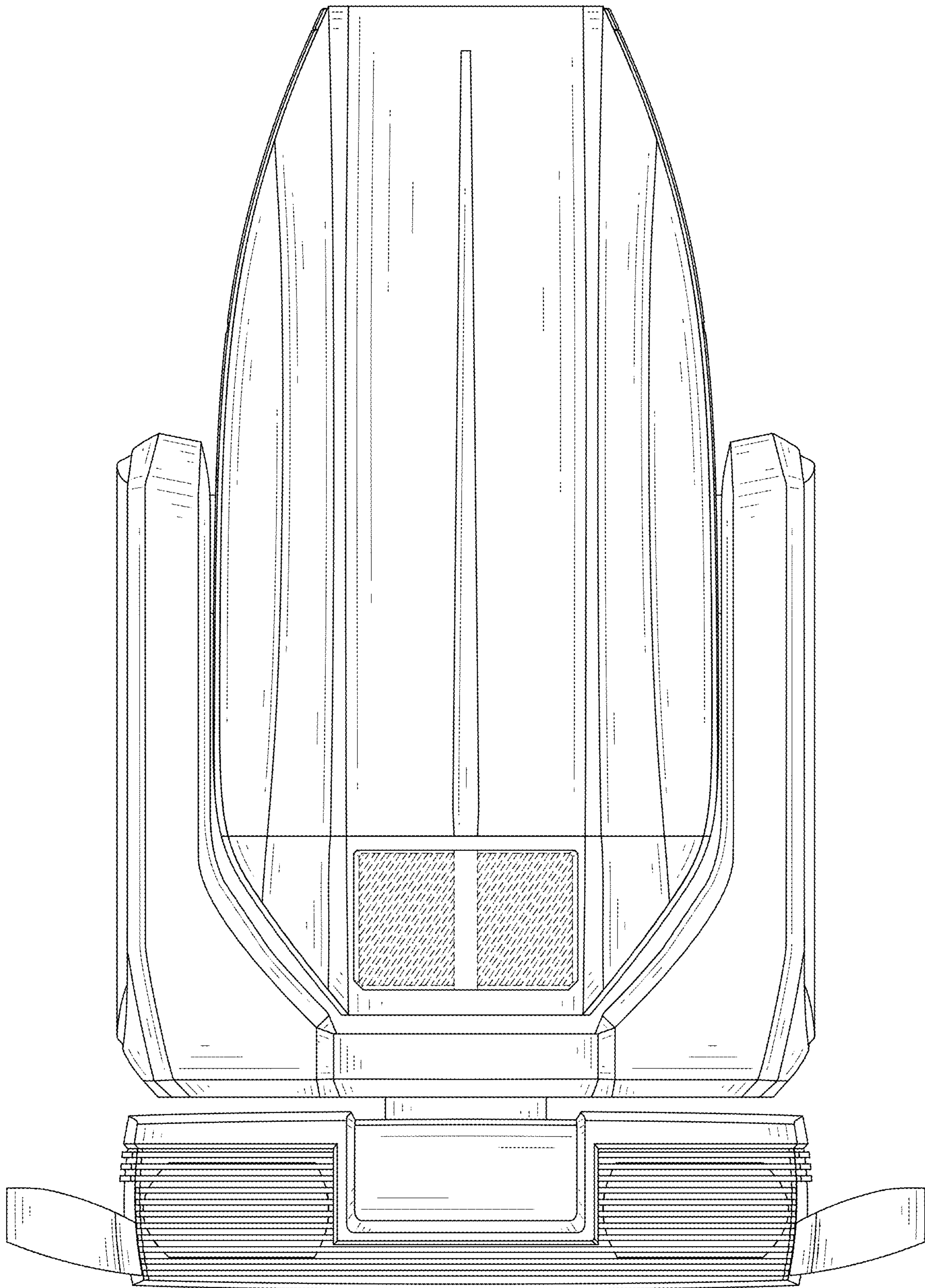


FIG. 2

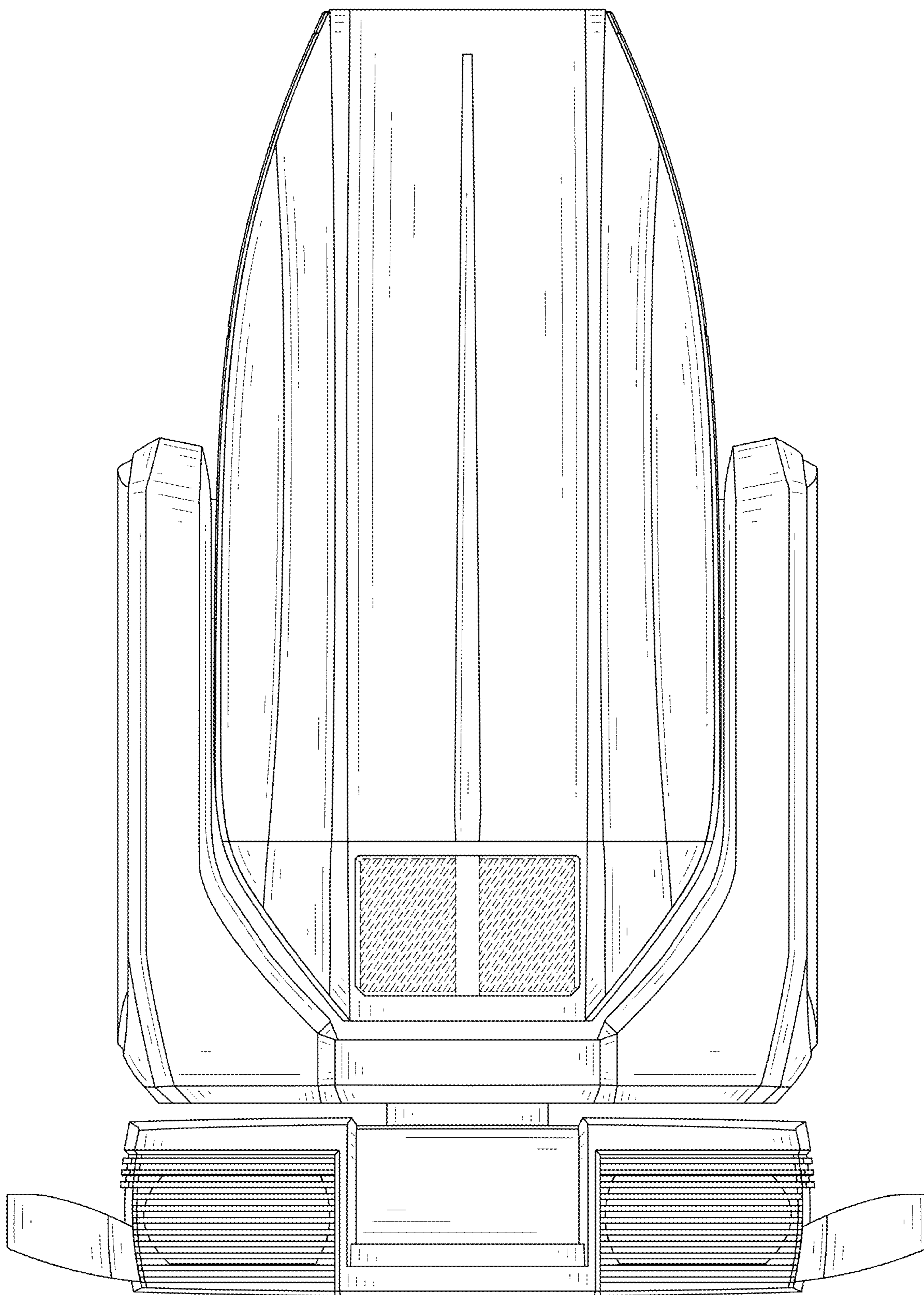


FIG. 3

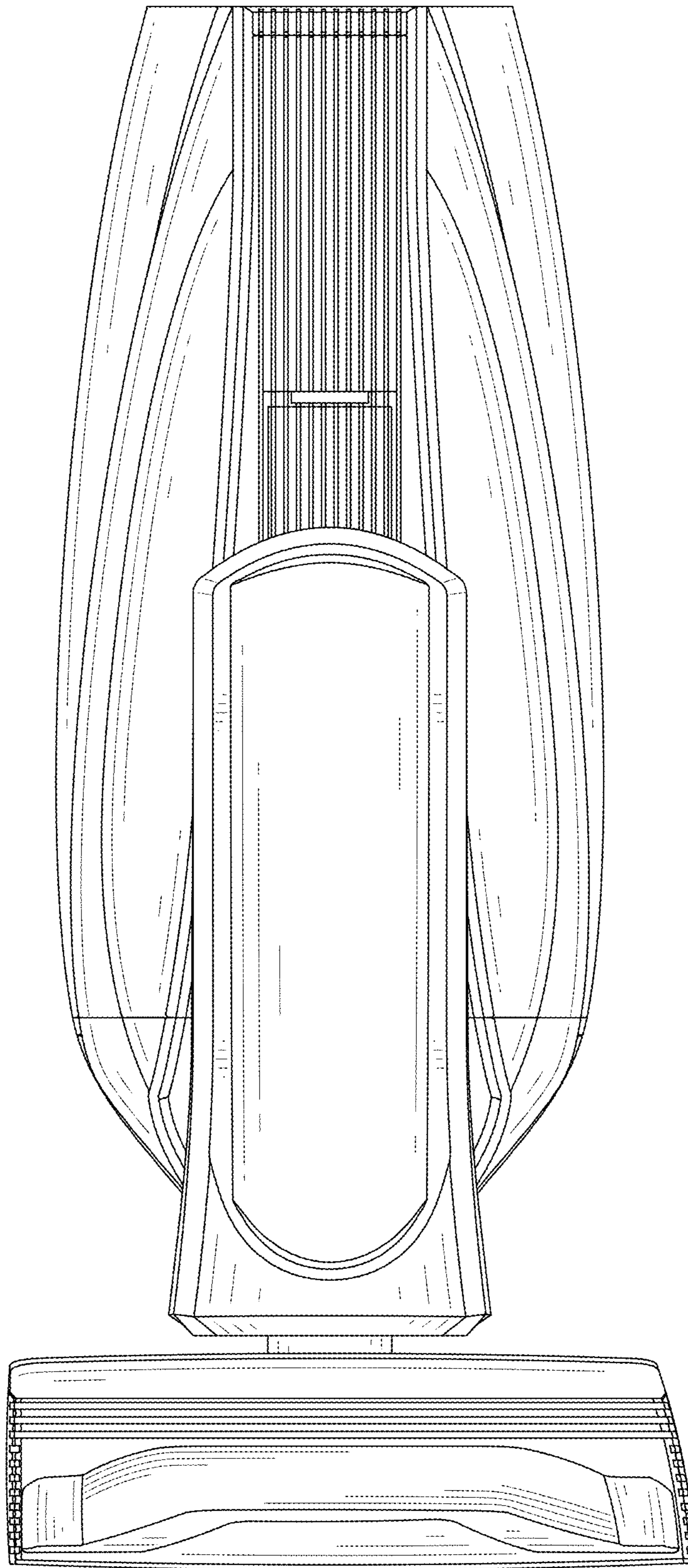


FIG. 4

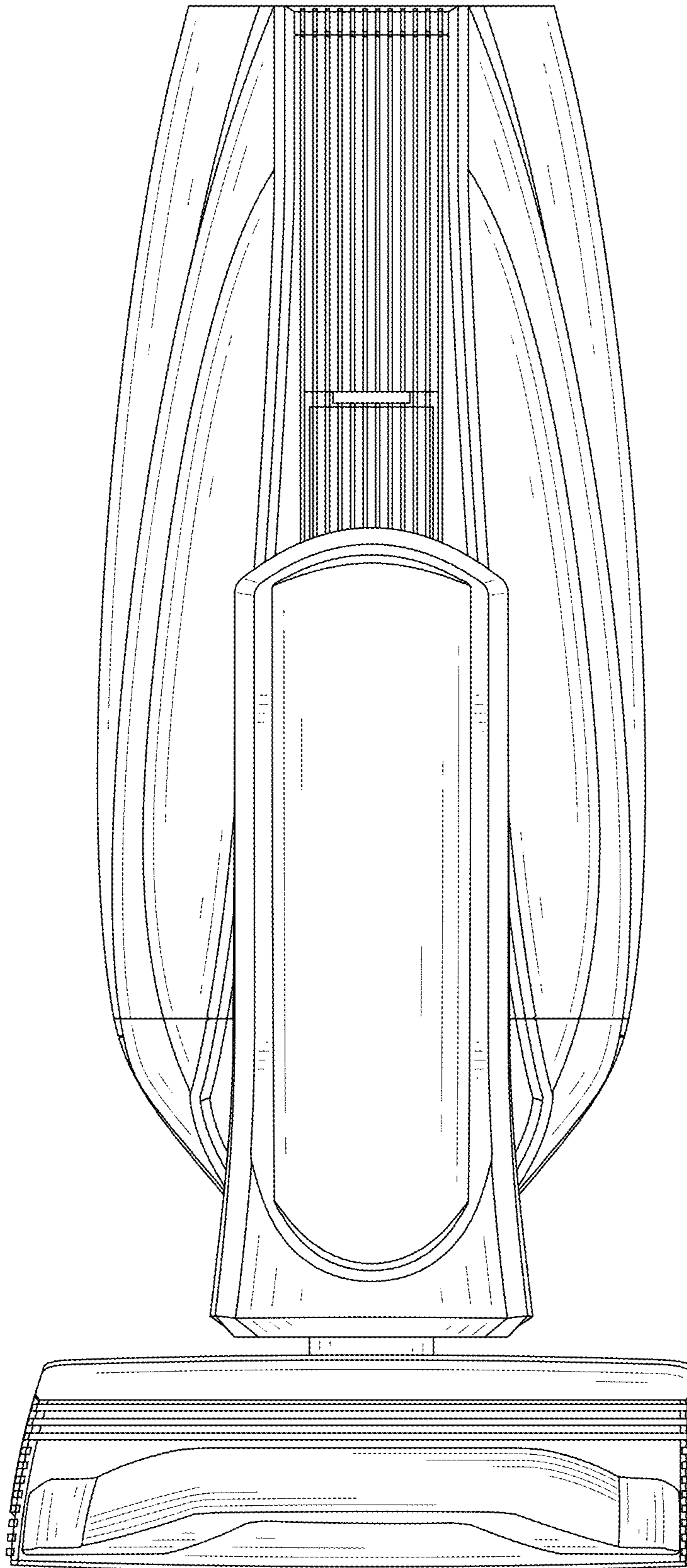


FIG. 5

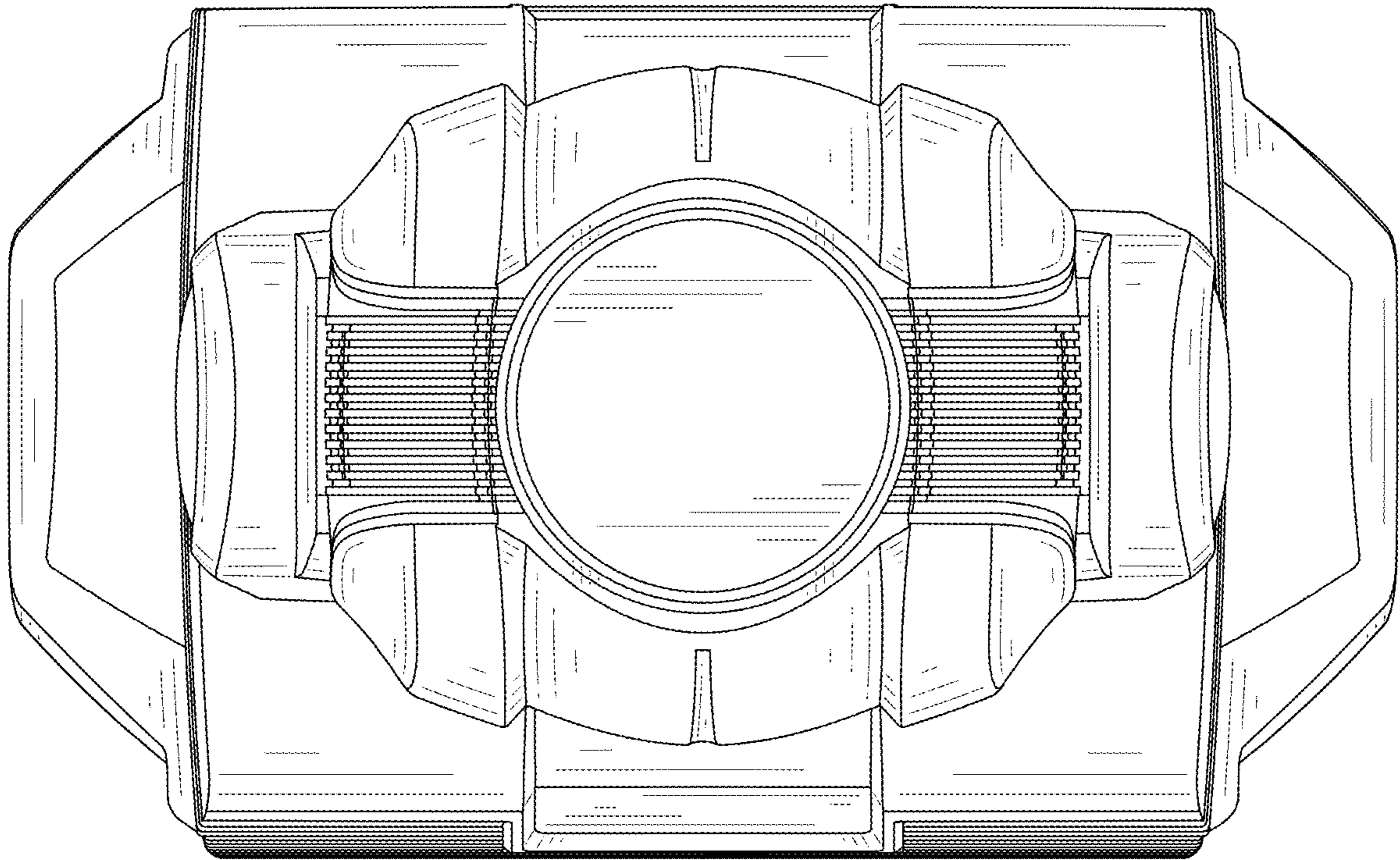


FIG. 6

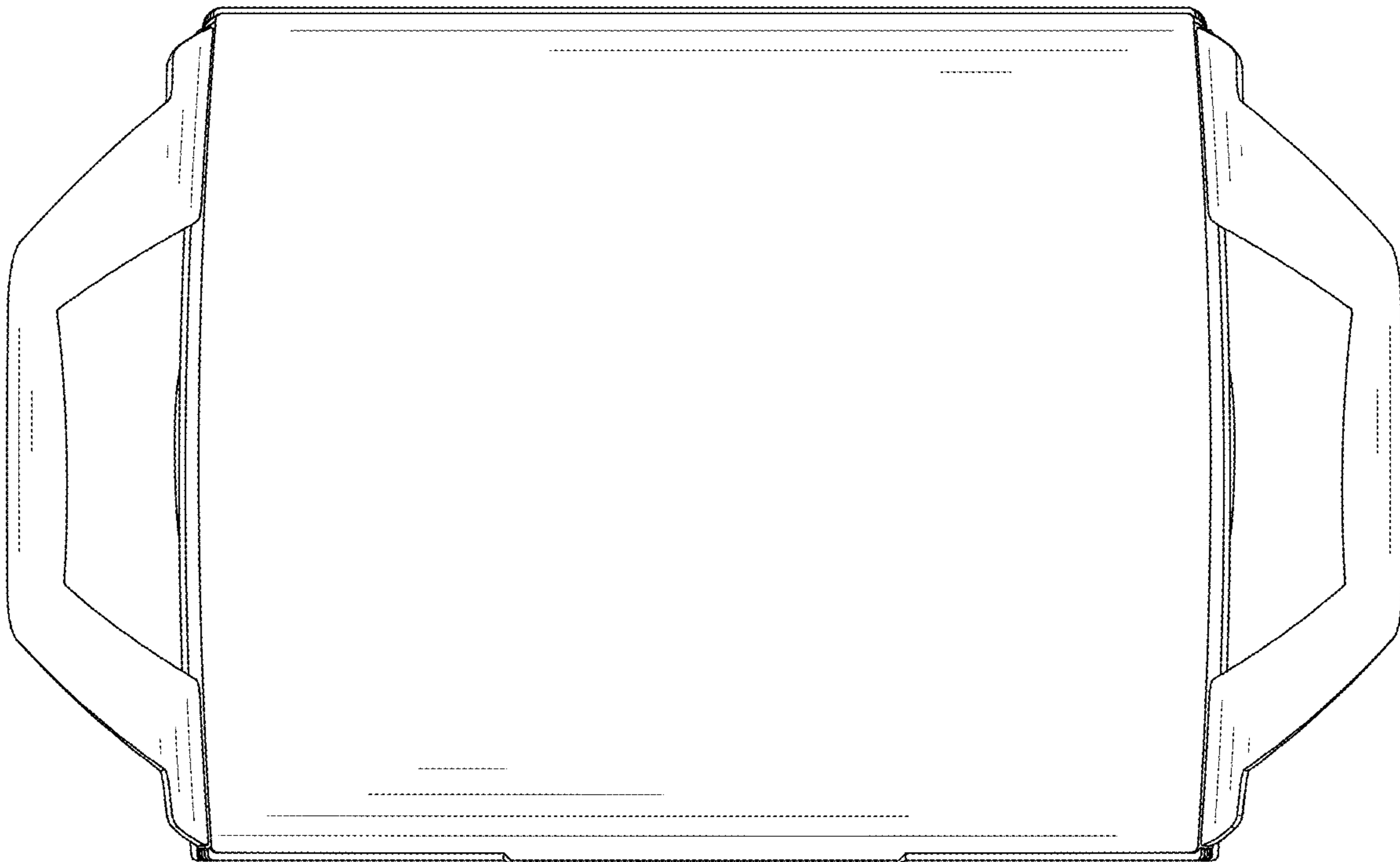


FIG. 7

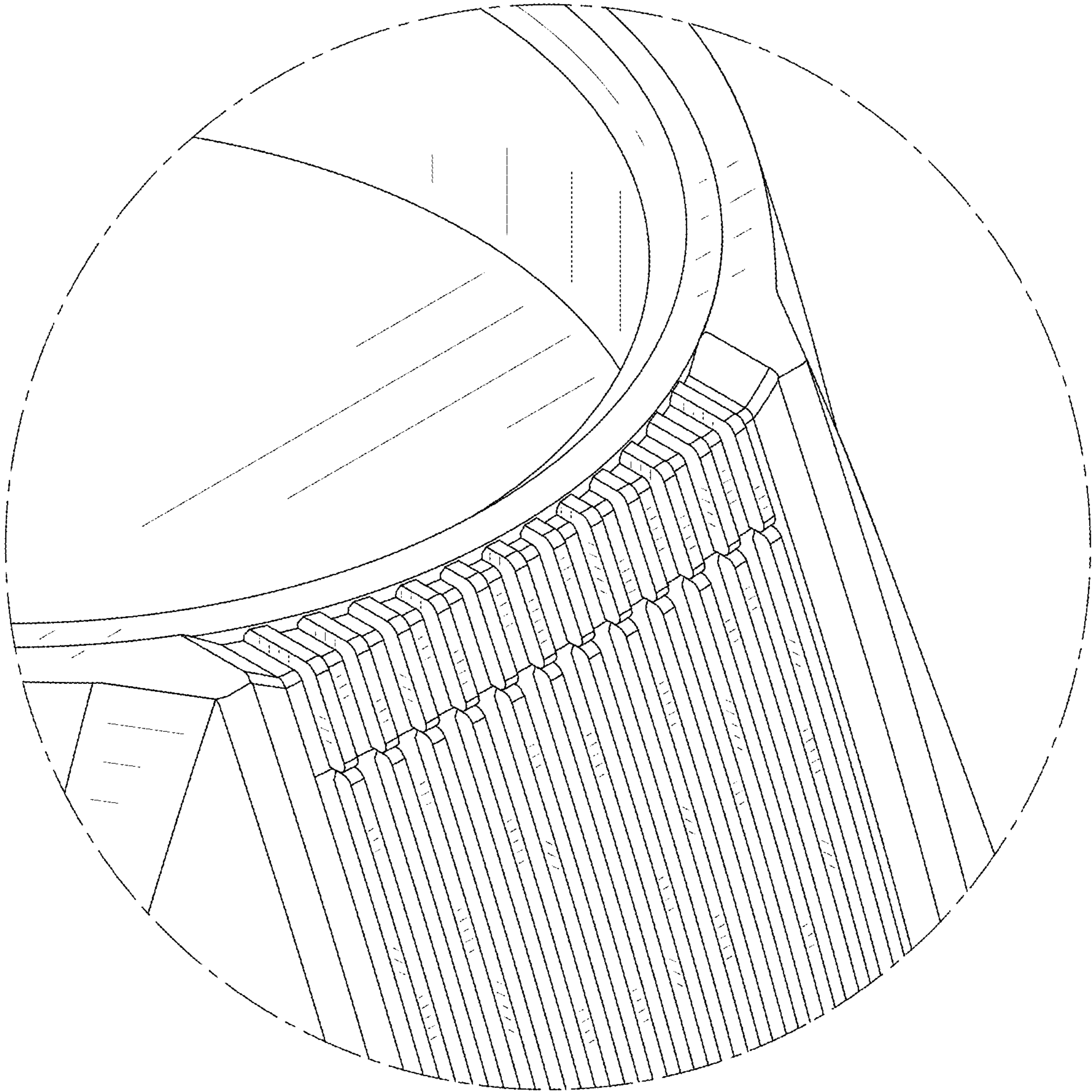


FIG. 8

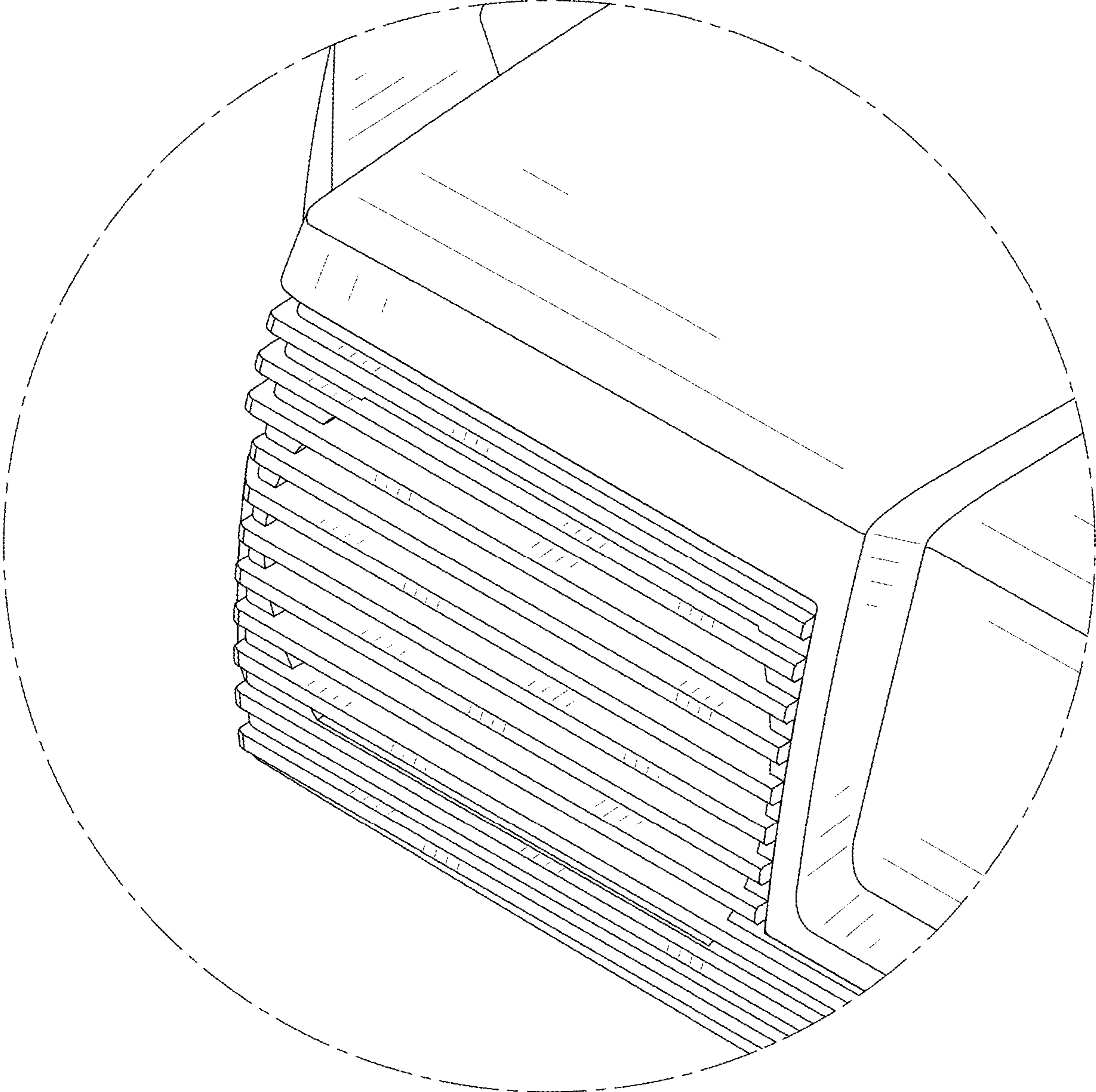


FIG. 9