



US00D886347S

(12) **United States Design Patent**  
**Theodon**

(10) **Patent No.:** **US D886,347 S**

(45) **Date of Patent:** **\*\* \*Jun. 2, 2020**

(54) **LIGHTING UNIT**

(71) Applicant: **MAQUET SAS**, Orleans (FR)

(72) Inventor: **Benoit Theodon**, Fleury-les-Aubrais (FR)

(73) Assignee: **MAQUET SAS**, Orleans (FR)

(\*) Notice: This patent is subject to a terminal disclaimer.

(\*\*) Term: **15 Years**

(21) Appl. No.: **29/638,697**

(22) Filed: **Feb. 28, 2018**

(30) **Foreign Application Priority Data**

Sep. 1, 2017 (EP) ..... 004191534

(51) **LOC (12) Cl.** ..... **26-03**

(52) **U.S. Cl.**  
USPC ..... **D26/63**

(58) **Field of Classification Search**  
USPC ..... D26/1, 24–26, 60–67, 70, 113, 118  
CPC ..... A61B 1/24; A61B 90/30; F21V 29/67;  
F21V 21/28; F21V 23/04; F21V 33/00;  
F21S 8/00; F21S 8/06; H05B 37/02  
See application file for complete search history.

(56) **References Cited**

**U.S. PATENT DOCUMENTS**

- 2,817,004 A \* 12/1957 Cutler ..... F21V 19/0075  
362/216
- D315,801 S \* 3/1991 Luger ..... D26/24
- D336,146 S \* 6/1993 Yamada ..... D26/65
- D619,287 S \* 7/2010 Liu ..... D26/62
- D654,431 S \* 2/2012 Stephanchick ..... D13/108
- 9,638,406 B1 \* 5/2017 Liang ..... F21V 23/0471
- D840,091 S \* 2/2019 Elfring ..... D26/118

- 10,321,970 B1 \* 6/2019 Hollopeter ..... A61B 34/76
- 2009/0086495 A1 \* 4/2009 Chen ..... A61B 90/35  
362/427
- 2014/0075721 A1 \* 3/2014 Denmark ..... B25G 1/10  
16/421
- 2016/0242630 A1 \* 8/2016 Gharibian ..... A61B 1/00142
- 2016/0282630 A1 \* 9/2016 Valteau ..... G02B 27/1006
- 2017/0112587 A1 \* 4/2017 Weiser ..... A61B 90/30
- 2017/0254527 A1 \* 9/2017 Liang ..... F21V 33/0068
- 2017/0318644 A1 \* 11/2017 Hartl ..... A61B 90/30
- 2017/0325319 A1 \* 11/2017 Schmid ..... H05B 33/0803

(Continued)

**OTHER PUBLICATIONS**

Maquet OR lights & ceiling supply Units, dated Jul. 9, 2014, [online], [site visited Sep. 26, 2019]. Available from Internet, URL: <http://www.maquet.com/us/product/workspace/operating-room/or-lights-ceiling-supply-units> (Year: 2014).\*

(Continued)

*Primary Examiner* — Angela J Lee

*Assistant Examiner* — Shawn T Gingrich

(74) *Attorney, Agent, or Firm* — Aaron M. Miller

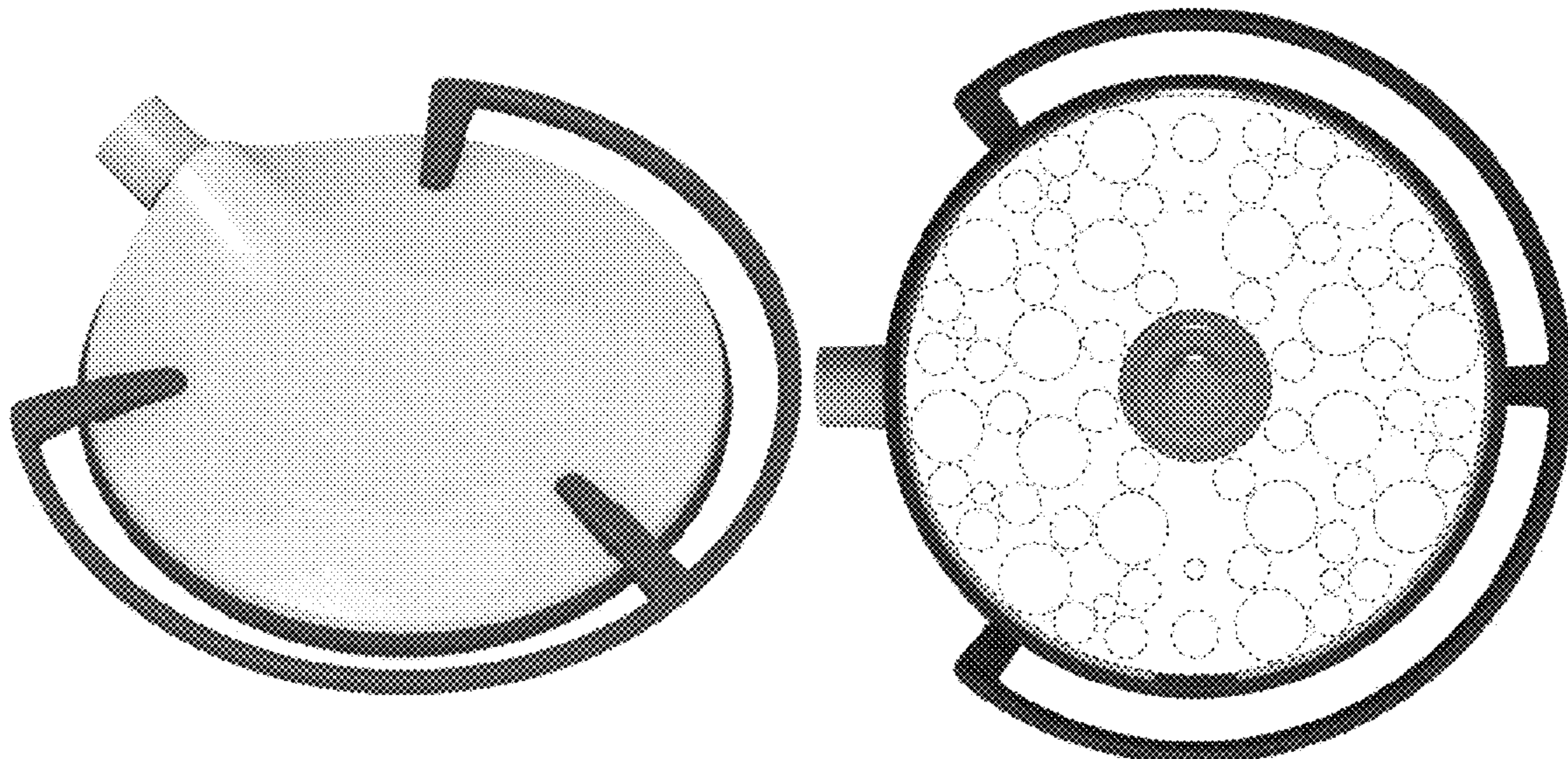
(57) **CLAIM**

The ornamental design for a lighting unit, as shown and described.

**DESCRIPTION**

FIG. 1 is a perspective top view of a lighting unit showing my new design;  
FIG. 2 is a front elevation view thereof;  
FIG. 3 is a rear elevation view thereof;  
FIG. 4 is a left side elevation view thereof;  
FIG. 5 is a right side elevation view thereof;  
FIG. 6 is a top plan view thereof; and,  
FIG. 7 is a bottom plan view thereof.  
The portions of the lighting unit shown in broken lines form no part of the claimed design.

**1 Claim, 7 Drawing Sheets**



(56)

**References Cited**

U.S. PATENT DOCUMENTS

2018/0238529 A1\* 8/2018 Liang ..... H05B 37/0227  
2019/0341793 A1\* 11/2019 Chien ..... F21S 8/035

OTHER PUBLICATIONS

Informational Guide on POWERLED Operating Lights, Maquet  
Getinge Group, Feb. 2015, 12 pages.  
Bovie® Brochure on M1 1000 LED, Surgical Lighting: The Next  
Generation in Surgery Lighting, 2 pages.  
Getinge Group Flyer, "LMD the ultimate device for light stability",  
2 pages.

\* cited by examiner



Fig. 1

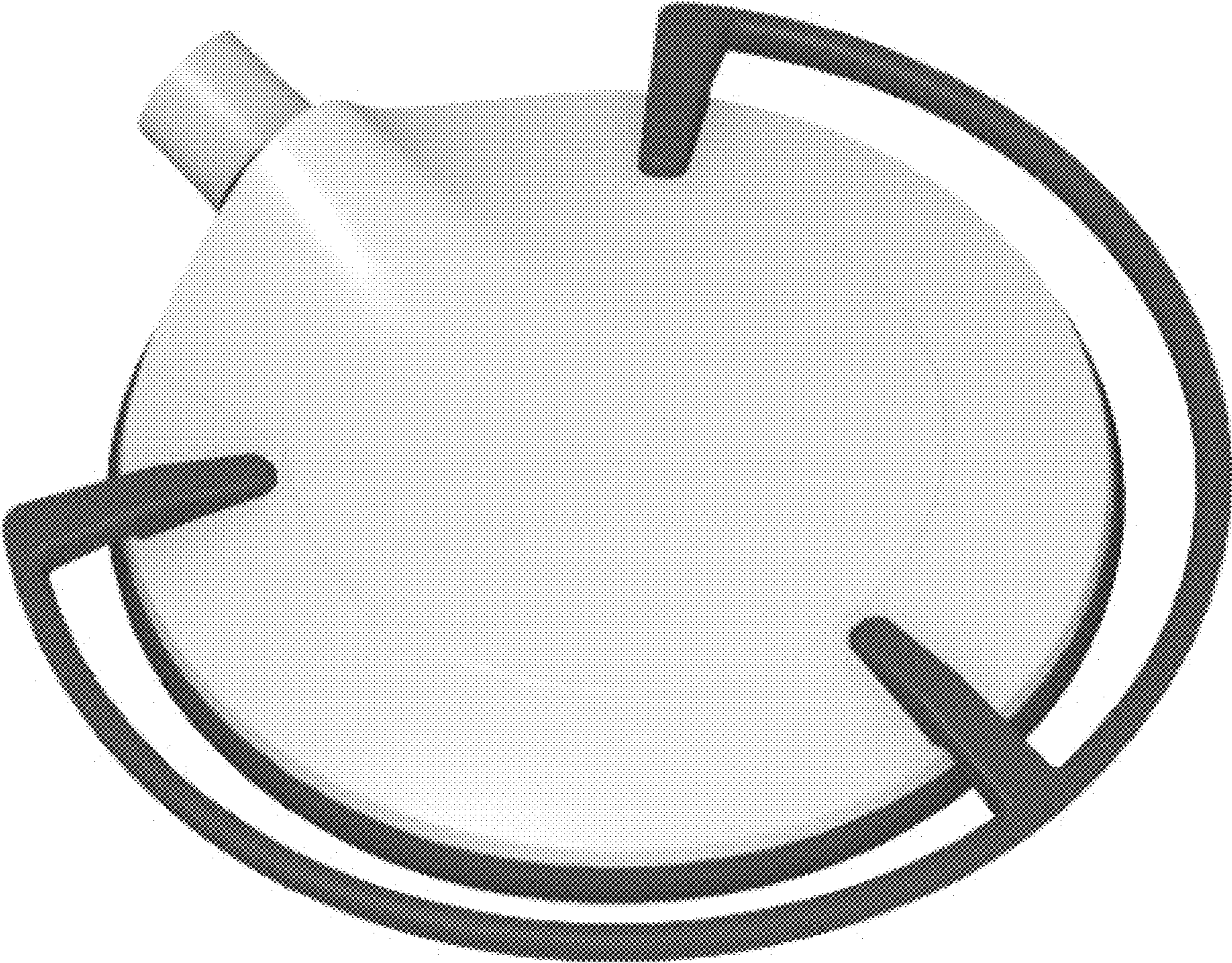


Fig. 2

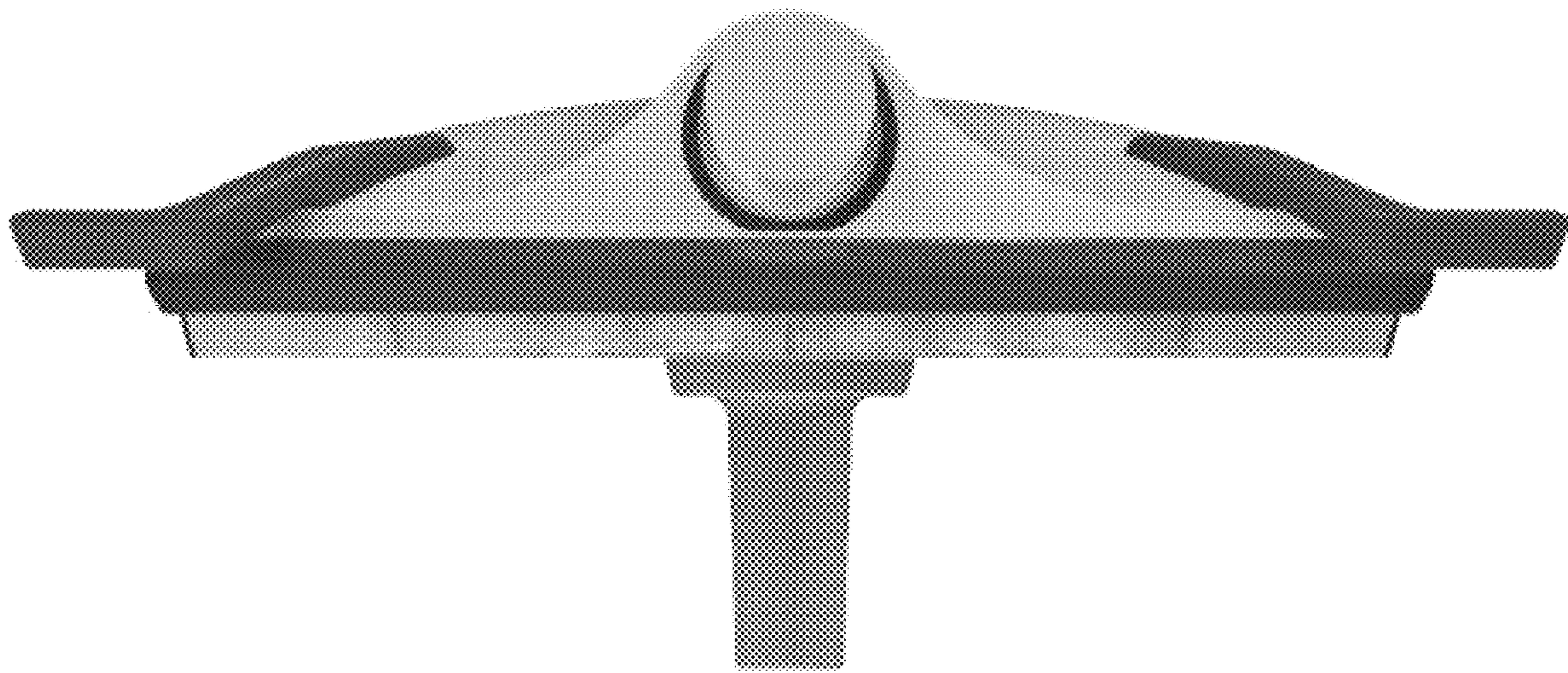




Fig. 3

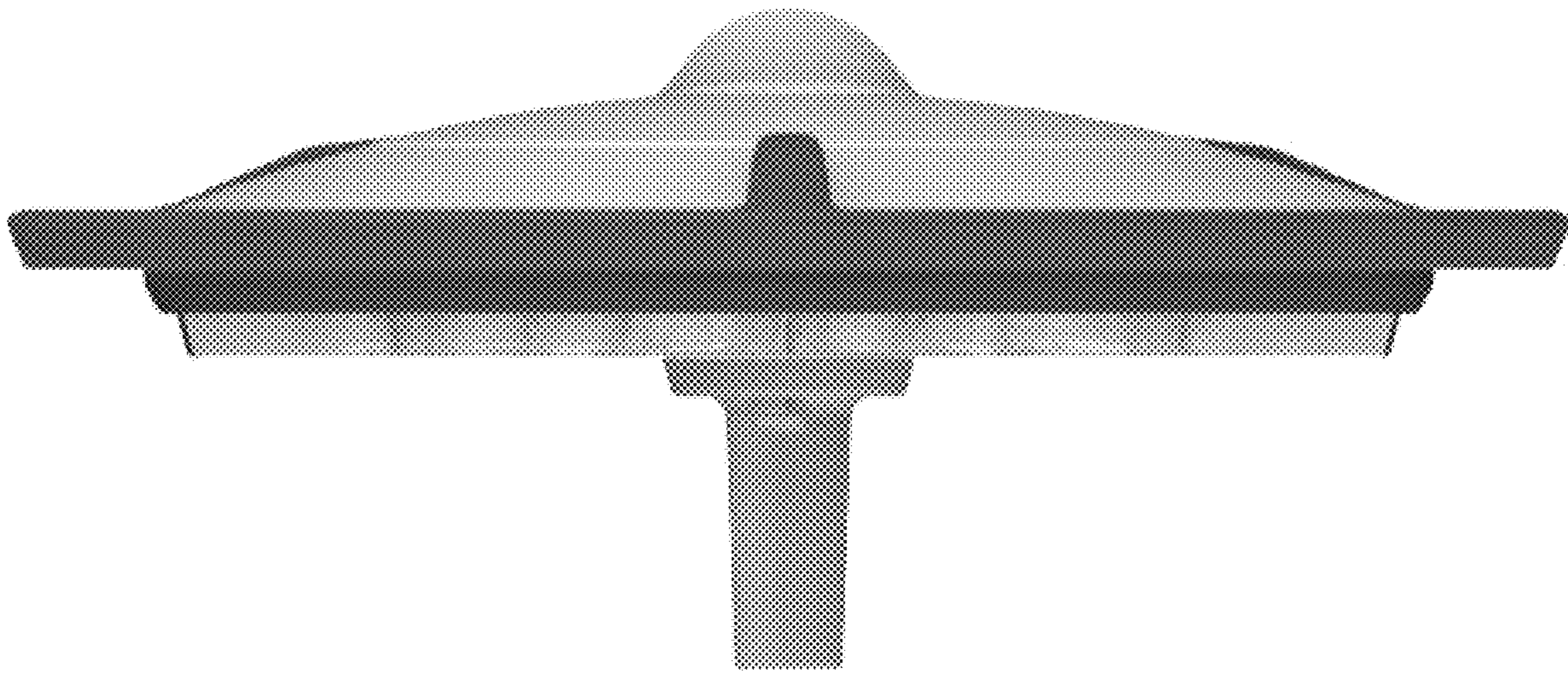


Fig. 4

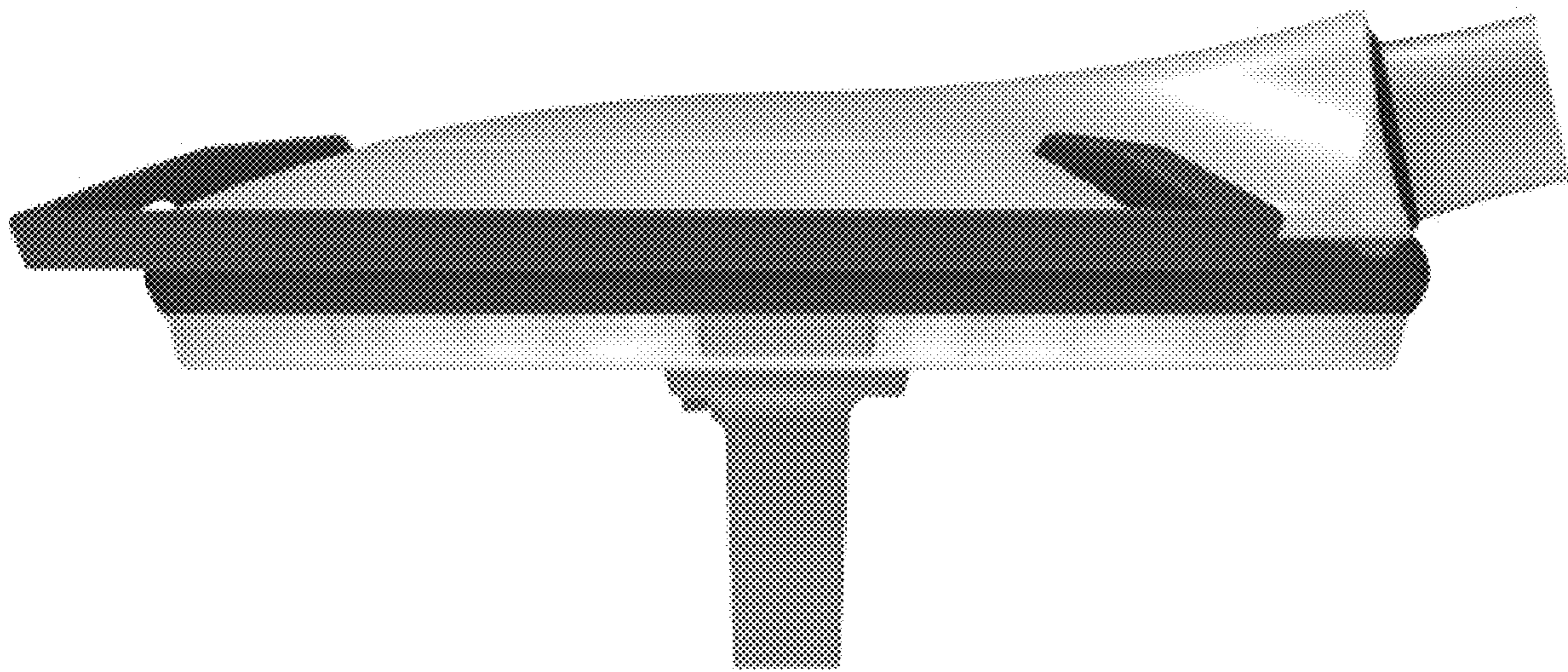


Fig. 5

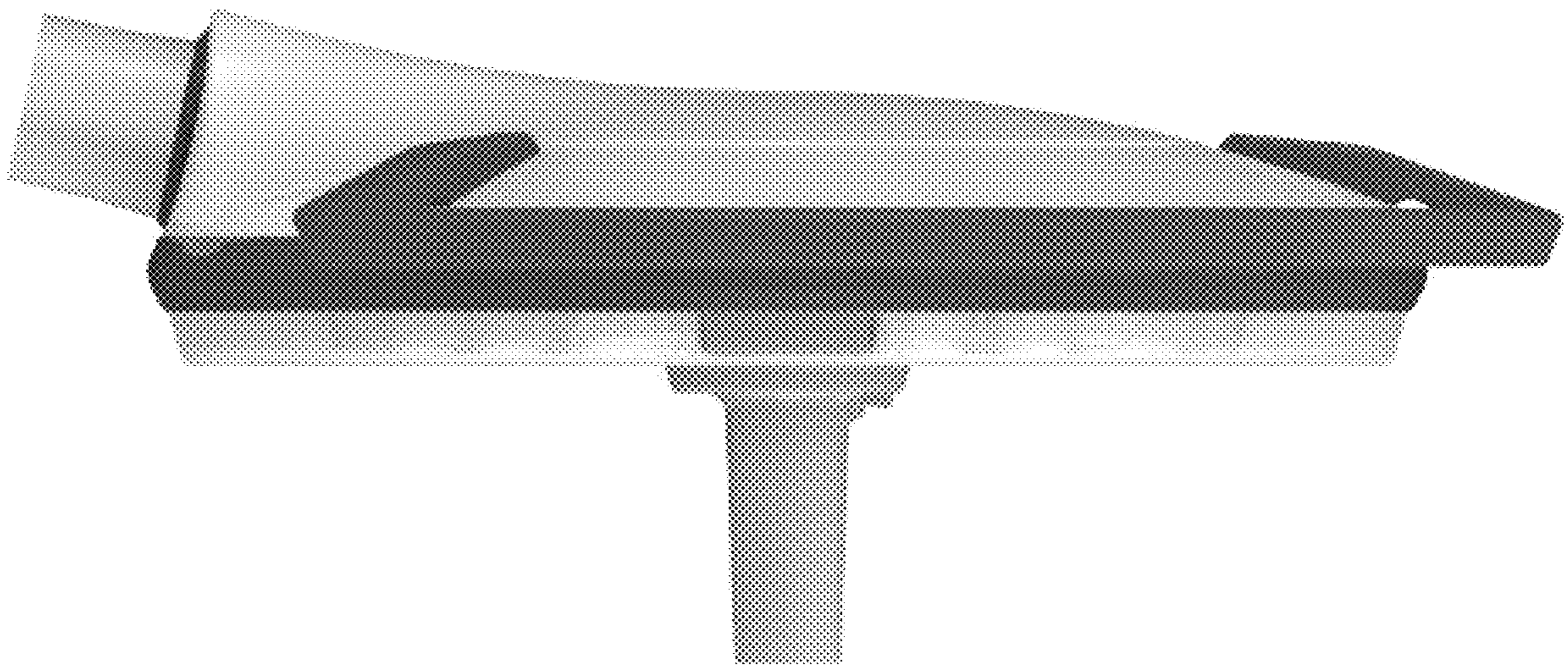




Fig. 6

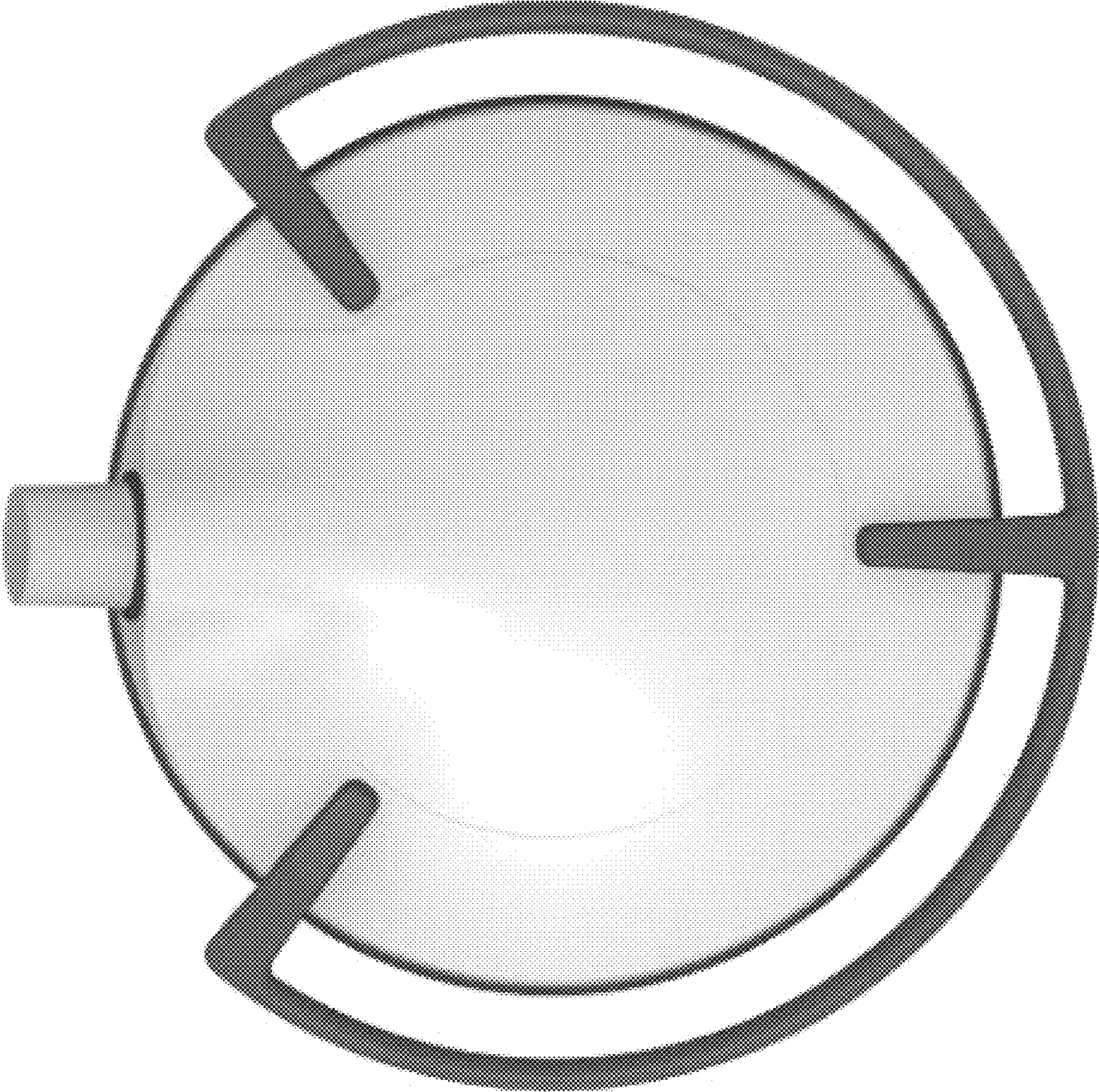




Fig. 7

