



US00D886345S

(12) **United States Design Patent**
O’Connell et al.

(10) **Patent No.:** **US D886,345 S**

(45) **Date of Patent:** **** Jun. 2, 2020**

- (54) **CEILING FAN LIGHT KIT**
- (71) Applicant: **HUNTER FAN COMPANY**,
Memphis, TN (US)
- (72) Inventors: **Patrick R. O’Connell**, Germantown,
TN (US); **Alexander Jonathan**
Hagggar, Memphis, TN (US)
- (73) Assignee: **Hunter Fan Company**, Memphis, TN
(US)
- (**) Term: **15 Years**
- (21) Appl. No.: **29/624,291**
- (22) Filed: **Oct. 31, 2017**
- (51) **LOC (12) Cl.** **26-05**
- (52) **U.S. Cl.**
USPC **D26/59; D23/411**
- (58) **Field of Classification Search**
USPC D23/370–385, 411–414; D26/59, 85, 86,
D26/89, 90, 119; D3/306
CPC F04D 25/088; F04D 29/38; F04D 29/384;
F04D 29/386; F21V 33/0096
See application file for complete search history.

(56) **References Cited**

U.S. PATENT DOCUMENTS

D102,553 S	*	12/1936	Gosling	D26/67
D302,478 S	*	7/1989	Bohler	D26/81
D417,747 S	*	12/1999	Pahl	D26/118
D430,930 S		9/2000	Zuege		
D438,324 S	*	2/2001	Pham	D26/72
D458,362 S		6/2002	Campbell		
D483,139 S	*	12/2003	Kuelbs	D26/72
D489,445 S	*	5/2004	Burns	D23/411
D520,633 S	*	5/2006	Tai	D23/411
D527,090 S		8/2006	Pan		
D535,739 S		1/2007	Pan		
D556,930 S	*	12/2007	Ertze	D26/59
D594,542 S	*	6/2009	Pan	D23/377

D596,737 S	*	7/2009	Pan	D23/411
D604,406 S	*	11/2009	Patton	D23/411
D625,874 S	*	10/2010	Sanoner	D26/67
D640,407 S	*	6/2011	Chen	D26/67
D710,489 S	*	8/2014	Shurtleff	D23/377
D710,490 S	*	8/2014	Shurtleff	D23/411
D732,157 S		6/2015	Lin et al.		
D745,959 S	*	12/2015	Ertze	D23/411
D755,438 S	*	5/2016	Kimmet	D26/118
D801,515 S	*	10/2017	Wang	D23/411

(Continued)

OTHER PUBLICATIONS

<http://www.kichler.com/products/product/54-inch-seaside-fan-oz-310131oz.aspx>, Kichler Seaside Collection 54 Inch Seaside Fan OZ, Model 310131OZ (Old Bronze), accessed Apr. 4, 2017.

(Continued)

Primary Examiner — Cathron C Brooks

Assistant Examiner — Sharon S Oum

(74) *Attorney, Agent, or Firm* — McGarry Bair PC

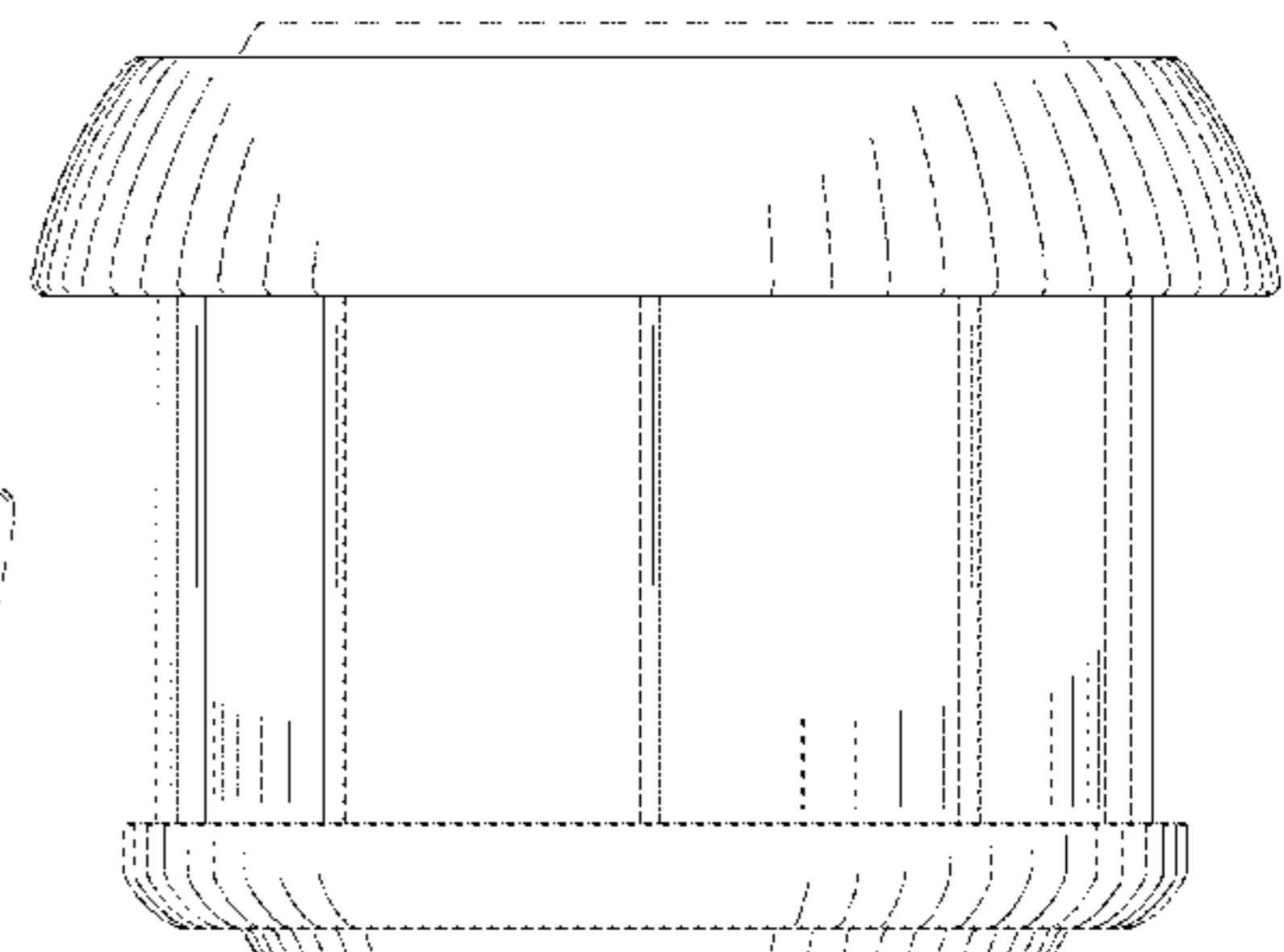
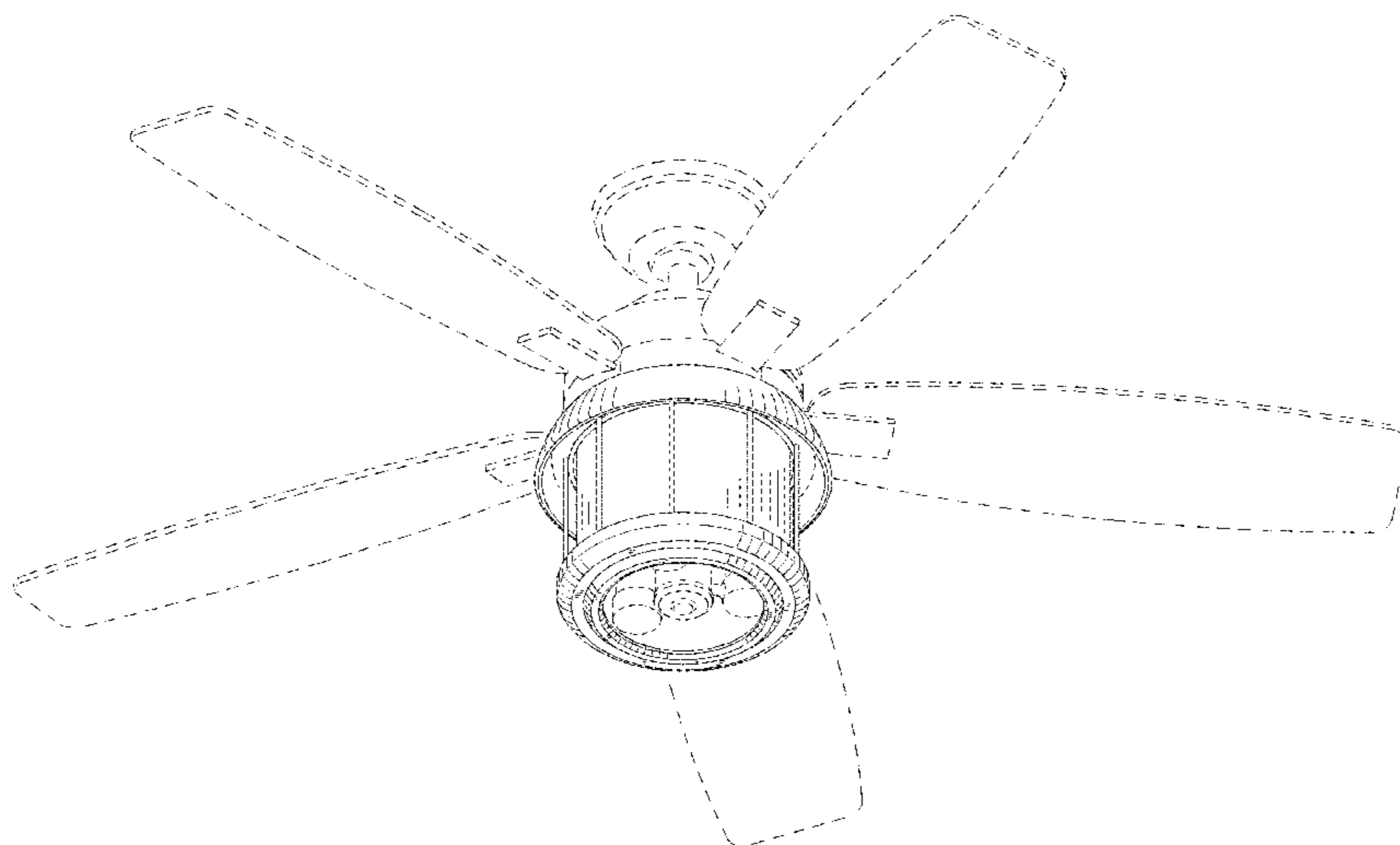
(57) **CLAIM**

The ornamental design for a ceiling fan light kit, as shown and described.

DESCRIPTION

FIG. 1 is a bottom perspective view of a ceiling fan light kit in the environment of ceiling fan, showing our new design; FIG. 2 is a top perspective view of the light kit of FIG. 1, having the ceiling fan environment removed; FIG. 3 is a top view thereof; FIG. 4 is a bottom view thereof; and, FIG. 5 is a side view thereof. Portions of the ceiling fan light kit and the ceiling fan environment shown in broken lines form no part of the claimed design. Unshaded areas adjacent to broken lines form no portion of the claimed design.

1 Claim, 5 Drawing Sheets



(56)

References Cited

U.S. PATENT DOCUMENTS

D804,635 S * 12/2017 Holmes D23/377
 D805,625 S * 12/2017 Hagggar D23/377
 D808,002 S * 1/2018 Holmes D23/377
 D811,577 S * 2/2018 Yang D23/411
 D814,011 S * 3/2018 McRoberts D23/377
 D814,092 S * 3/2018 Chen D26/67
 D820,431 S * 6/2018 Ertze D23/411
 D834,172 S * 11/2018 Guthrie D23/411
 2014/0056739 A1 * 2/2014 Wang F04D 25/0606
 417/423.7

OTHER PUBLICATIONS

<http://www.hunterfan.com/Ceiling-Fans/Key-Biscayne?ModelNumber=59135>, Hunter Fan Key Biscayne—54" Ceiling Fan, Item No. 59135, accessed Apr. 4, 2017.

<http://www.kichler.com/products/product/maor-patio-65-ceiling-fan-distressed-black-dbk-310.aspx>, Kichler Maor Patio Collection, Maor Patio 65" Ceiling Fan—Distressed Black DBK, Model 310136DBK, accessed Apr. 4, 2017.

<http://www.homedepot.com/p/Hampton-Bay-Devereaux-II-52-in-Oil-Rubbed-Bronze-Ceiling-Fan-AL685-ORB/203244862>, Hampton Bay Devereaux II 52 In. Oil-Rubbed Bronze Ceiling Fan, Model No. AL685-ORB, accessed Apr. 4, 2017.

<https://www.craftmade.com/courtyard-cyd56ob4>, Craftmade Courtyard, 56" Courtyard Ceiling Fan, Model No. CYD56OB4, accessed Apr. 4, 2017.

<http://www.minkagroup.net/products/f580-vrbb>, Minka Group Shangri-La 52" 5 Blades in Vintage Rust™ Finish w/ Bambo All Weather Blades Integrated Light Kit, Model No. F580-VR-BB, accessed Apr. 4, 2017.

<http://www.kingoffans.com/#/products>, The King of Fans North Shoreline Ceiling Fan, Model No. 51546, accessed Apr. 4, 2017.

* cited by examiner

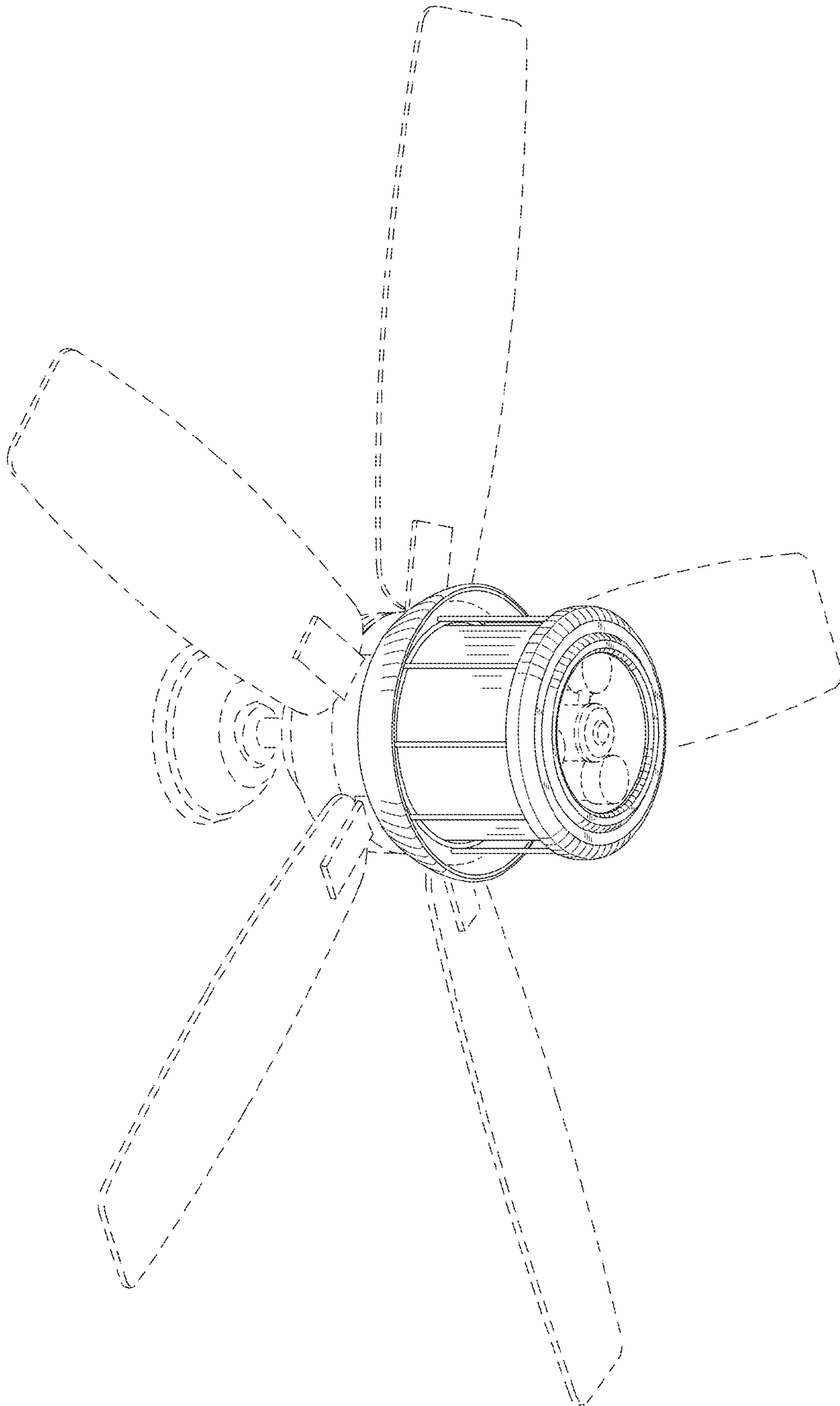


FIG.1

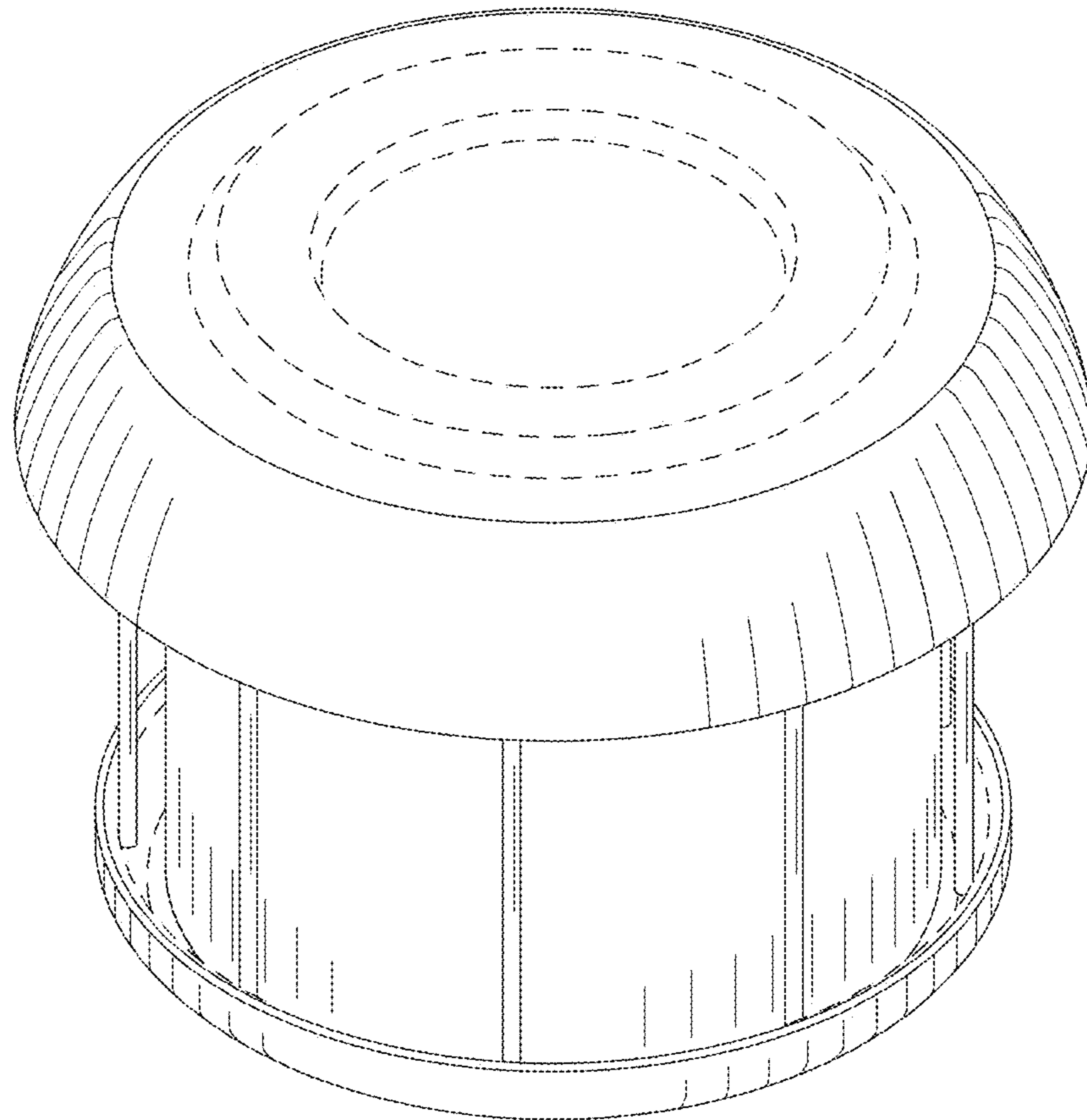


FIG.2

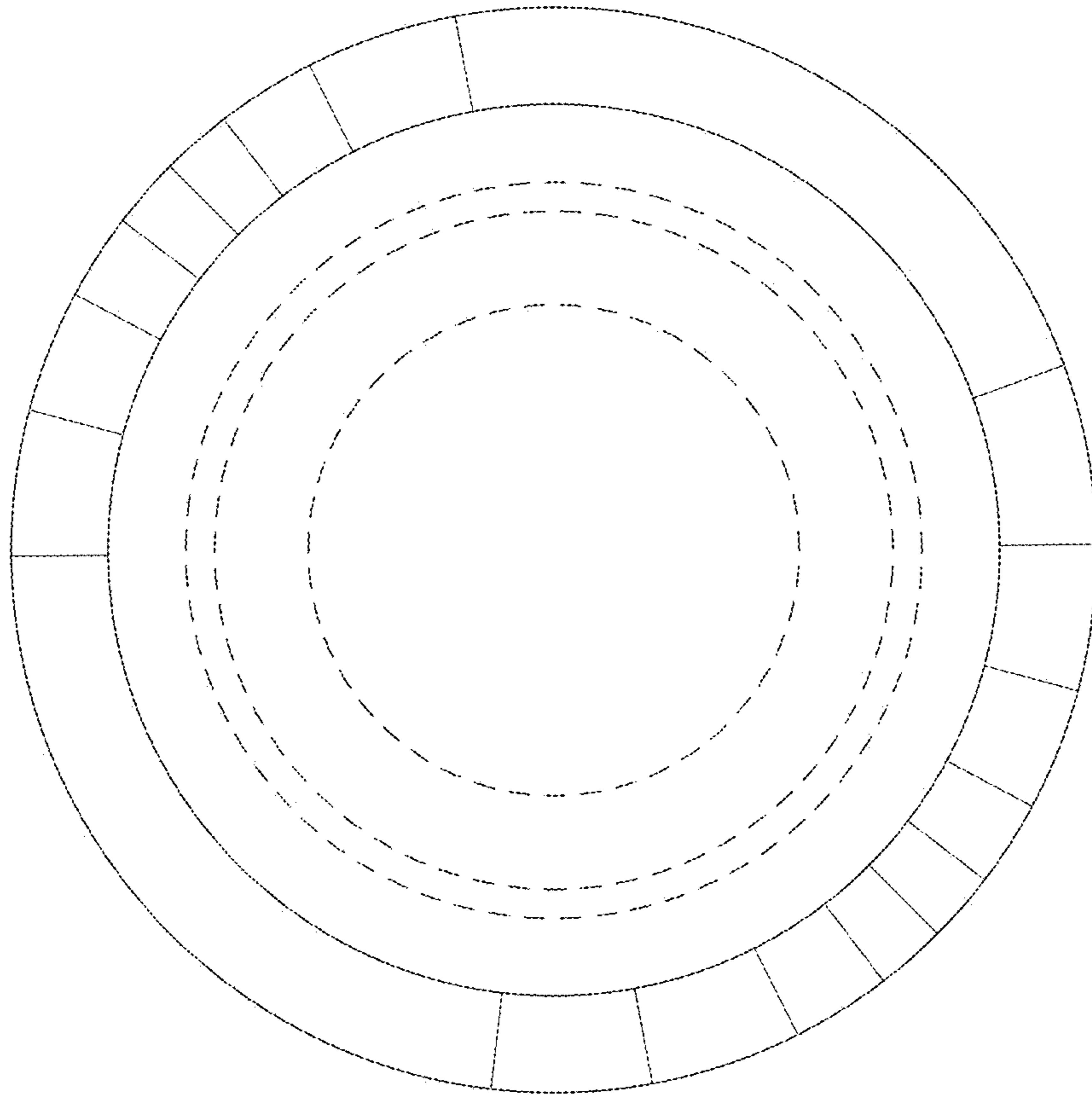


FIG. 3

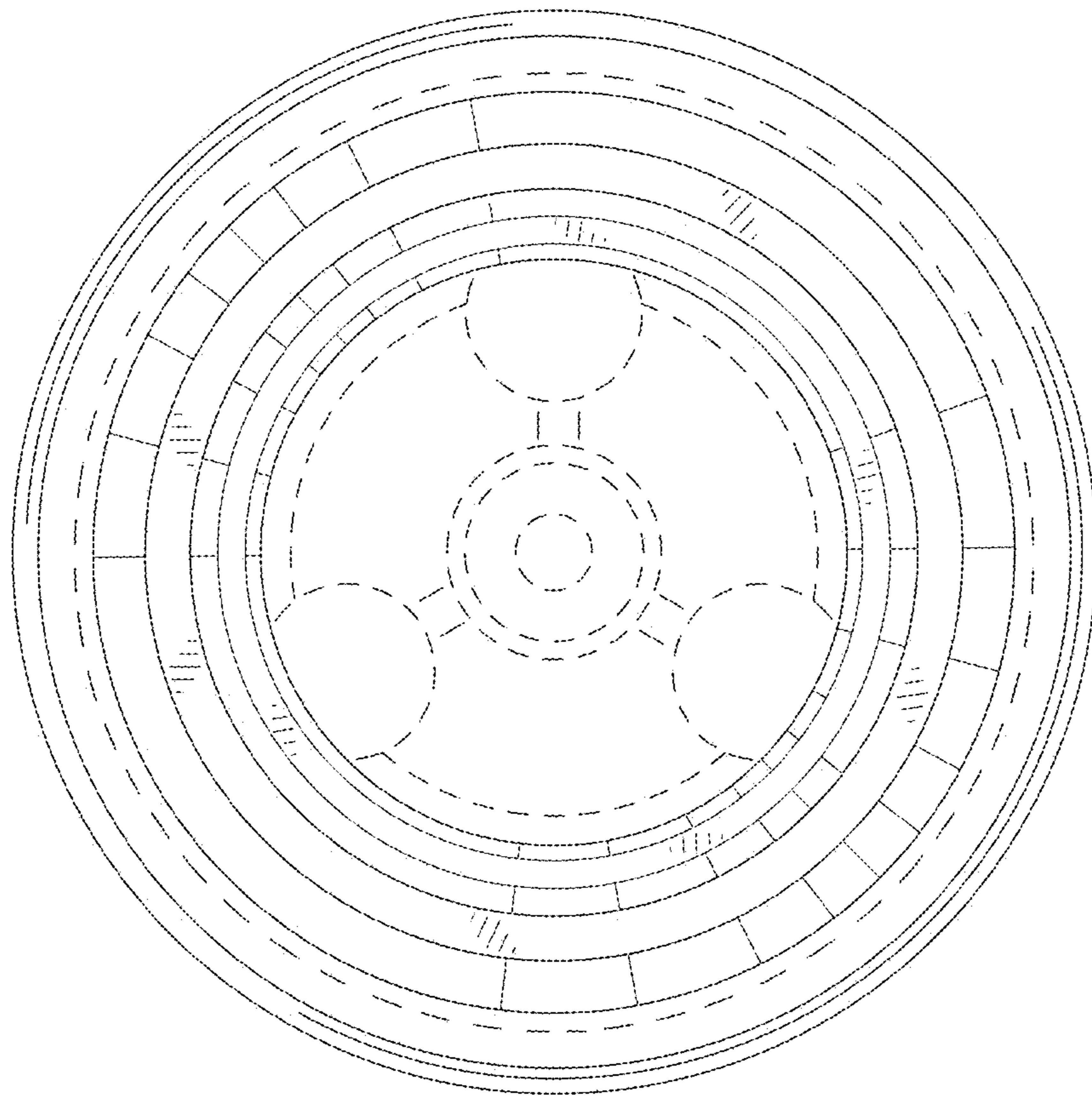


FIG. 4

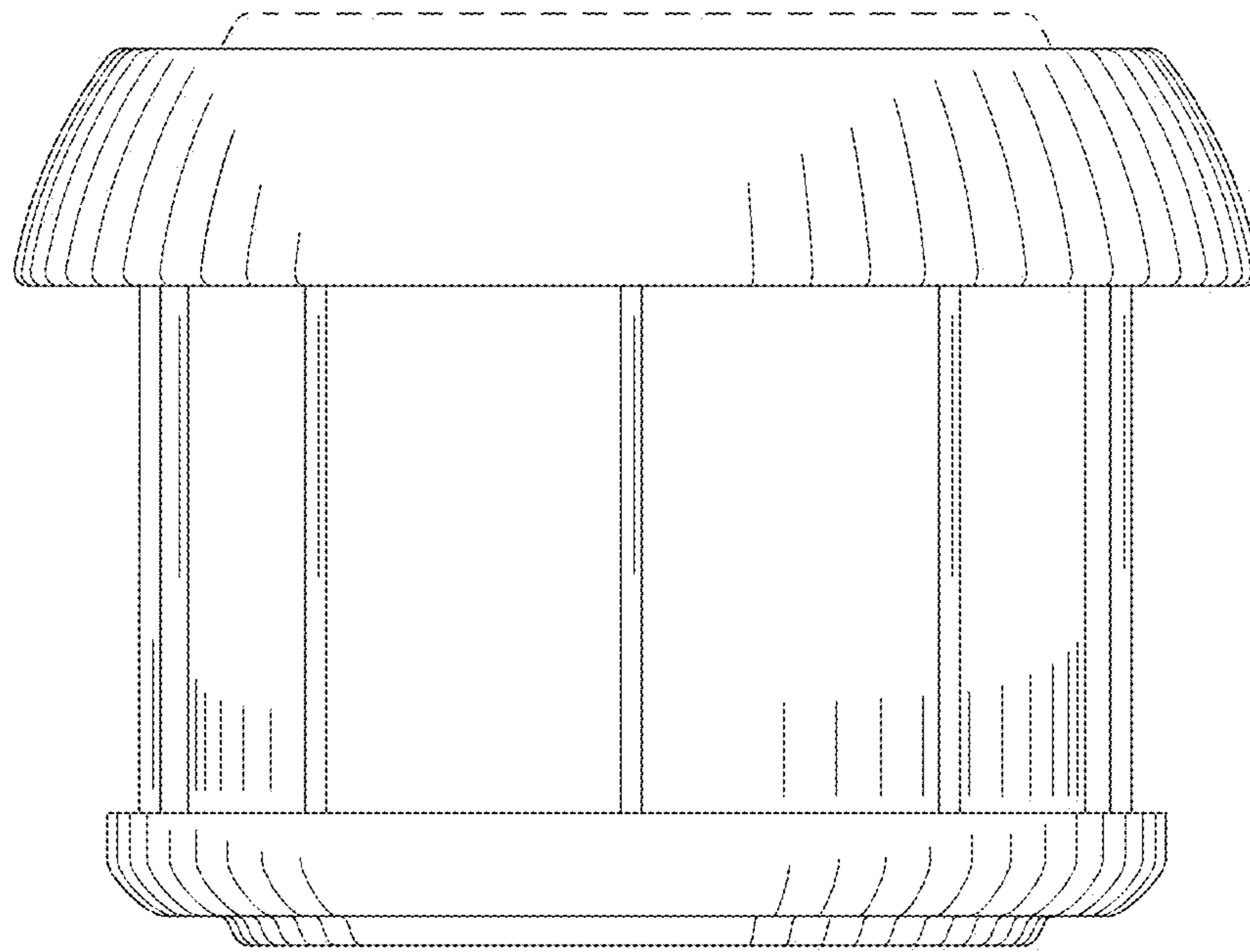


FIG. 5