



US00D886343S

(12) **United States Design Patent**  
**Chen**

(10) **Patent No.:** **US D886,343 S**  
(45) **Date of Patent:** **\*\* Jun. 2, 2020**

(54) **AUTOMOBILE FRONT COMBINATION LAMP**

FOREIGN PATENT DOCUMENTS

(71) Applicant: **Jiangsu Lide Automotive Optical System Co., Ltd.**, Jiangsu Province (CN)

CN	201630219335.2	11/2016
CN	201630423692.0	2/2017
CN	201630592877.4	5/2017
CN	201830040781.6	7/2018
CN	201930011697.6	10/2019
CN	201930140464.6	11/2019
CN	201930324820.X	11/2019
EP	1422471 A2	5/2004
EP	1916470 A2	4/2008
EP	2095011 A1	9/2009

(72) Inventor: **Yong Chen**, Jiangsu Province (CN)

(73) Assignee: **JIANGSU LIDE AUTOMOTIVE OPTICAL SYSTEM CO., LTD.**, Jiangsu Province (CN)

\* cited by examiner

(\*\*) Term: **15 Years**

*Primary Examiner* — Marcus A Jackson

(21) Appl. No.: **29/719,641**

(74) *Attorney, Agent, or Firm* — Brad Bertoglio; Intelink Law Group PC

(22) Filed: **Jan. 7, 2020**

(51) **LOC (12) Cl.** ..... **26-06**

(57) **CLAIM**

(52) **U.S. Cl.**  
USPC ..... **D26/28**

The ornamental design for an automobile front combination lamp, as shown and described.

(58) **Field of Classification Search**  
USPC ..... D26/28-36, 139  
CPC ..... F21S 48/00; F21S 48/10; F21S 48/115; F21S 48/225; F21S 48/1233; F21S 48/1266; F21S 48/2268; F21V 48/1388; F21V 21/04; F21V 29/004; B60Q 9/13; B60Q 9/135; B60Q 9/1375  
See application file for complete search history.

**DESCRIPTION**

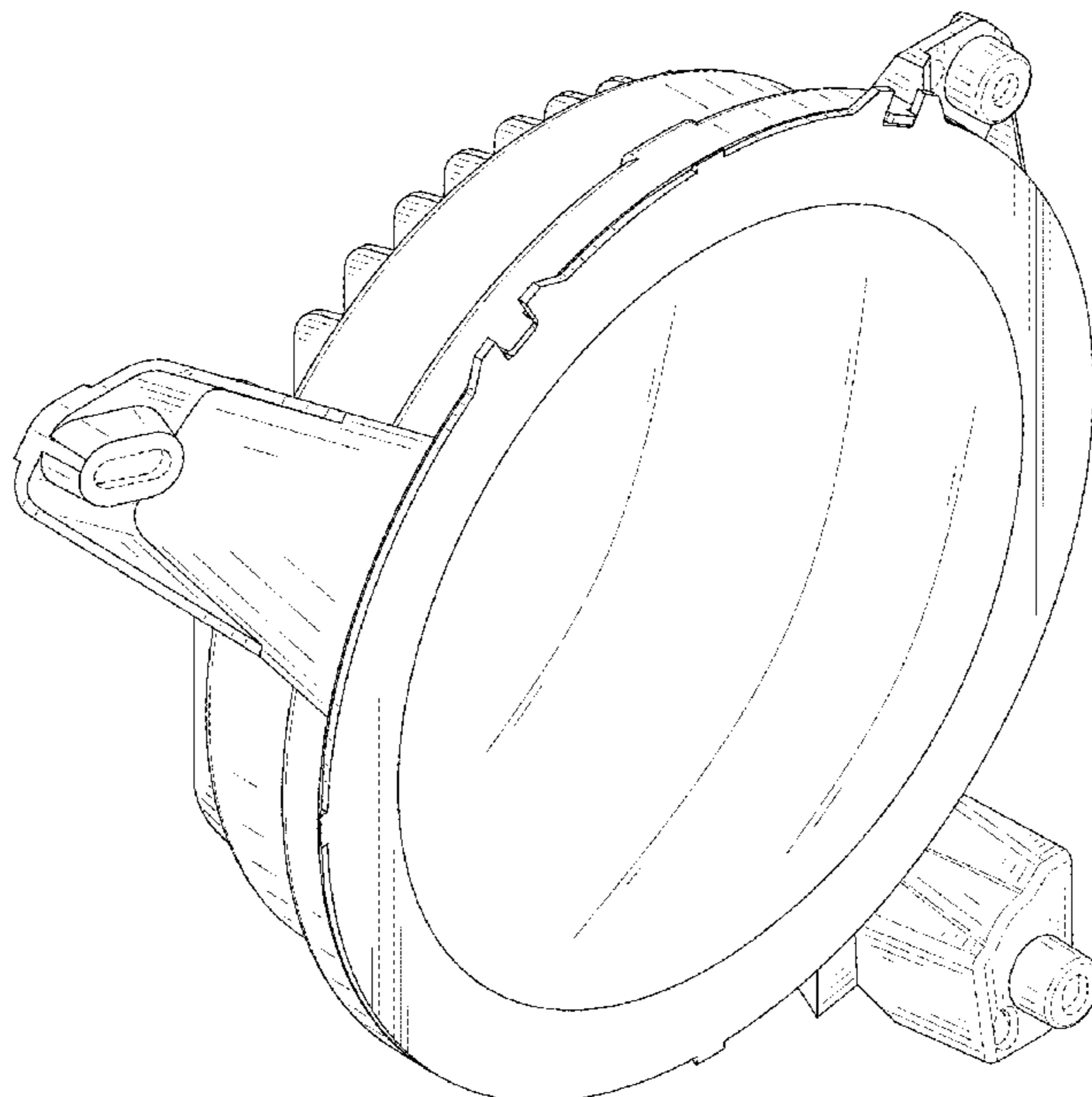
FIG. 1 is a top, front, left perspective view of an automobile front combination lamp showing the claimed design; FIG. 2 is a top, rear, right perspective view thereof; FIG. 3 is a front elevational view thereof; FIG. 4 is a rear elevational view thereof; FIG. 5 is a left side elevational view thereof; FIG. 6 is a right side elevational view thereof; FIG. 7 is a top plan view thereof; and, FIG. 8 is a bottom plan view thereof. Any shading and cross-hatching are not features of the design but are utilized to illustrate the surface contours of the design in the drawings. The broken lines in the Figures are for illustrative purposes only, and form no part of the claimed design.

(56) **References Cited**

U.S. PATENT DOCUMENTS

D490,172 S	*	5/2004	Yamamoto	.....	D26/28
D564,683 S	*	3/2008	Roach	.....	D26/28
D626,670 S	*	11/2010	Metzger	.....	D26/28
D688,400 S	*	8/2013	Haumann	.....	D26/28
D716,477 S	*	10/2014	Chu	.....	D26/28
D718,478 S	*	11/2014	Adams	.....	D26/28
D863,621 S		10/2019	Chi		

**1 Claim, 8 Drawing Sheets**



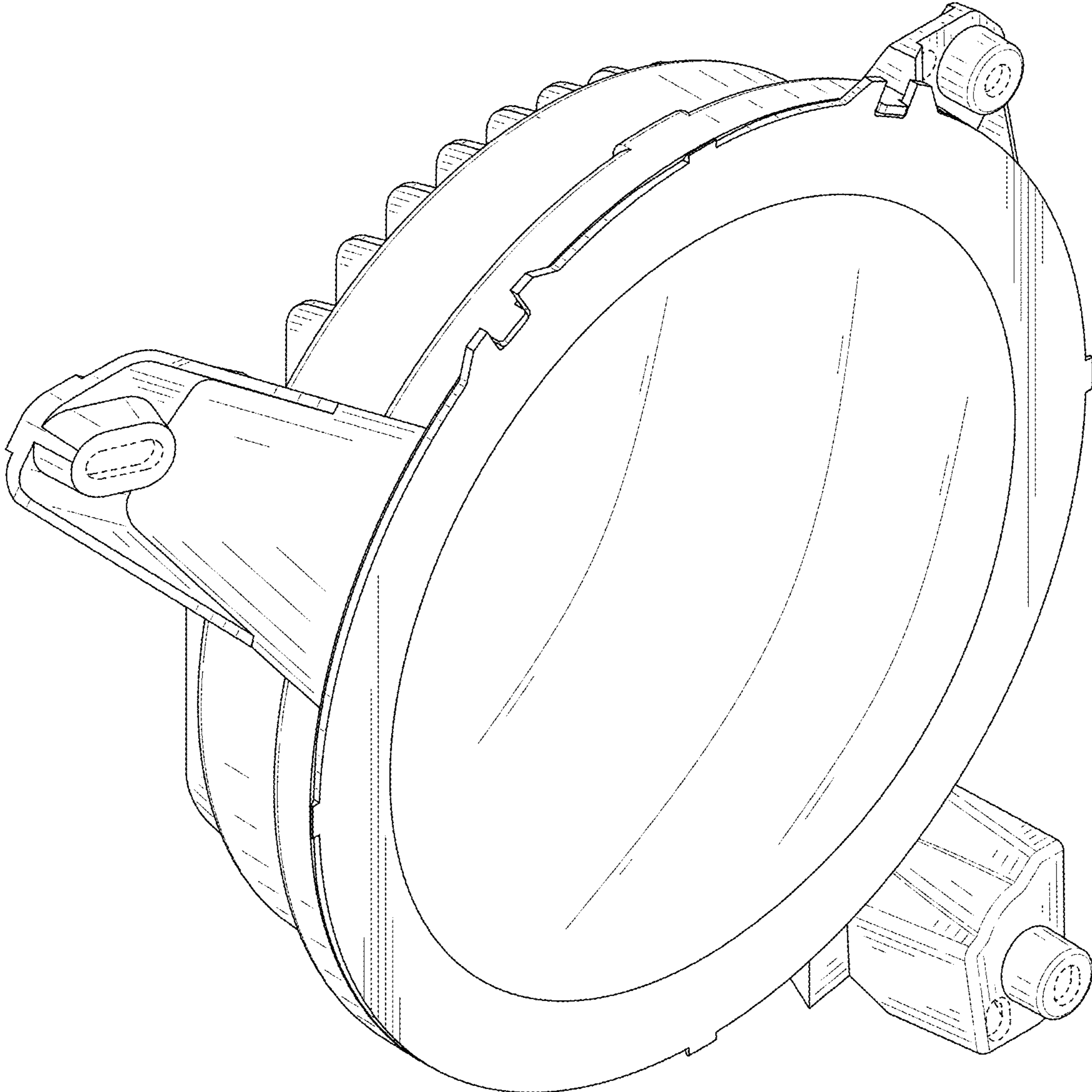


FIG. 1

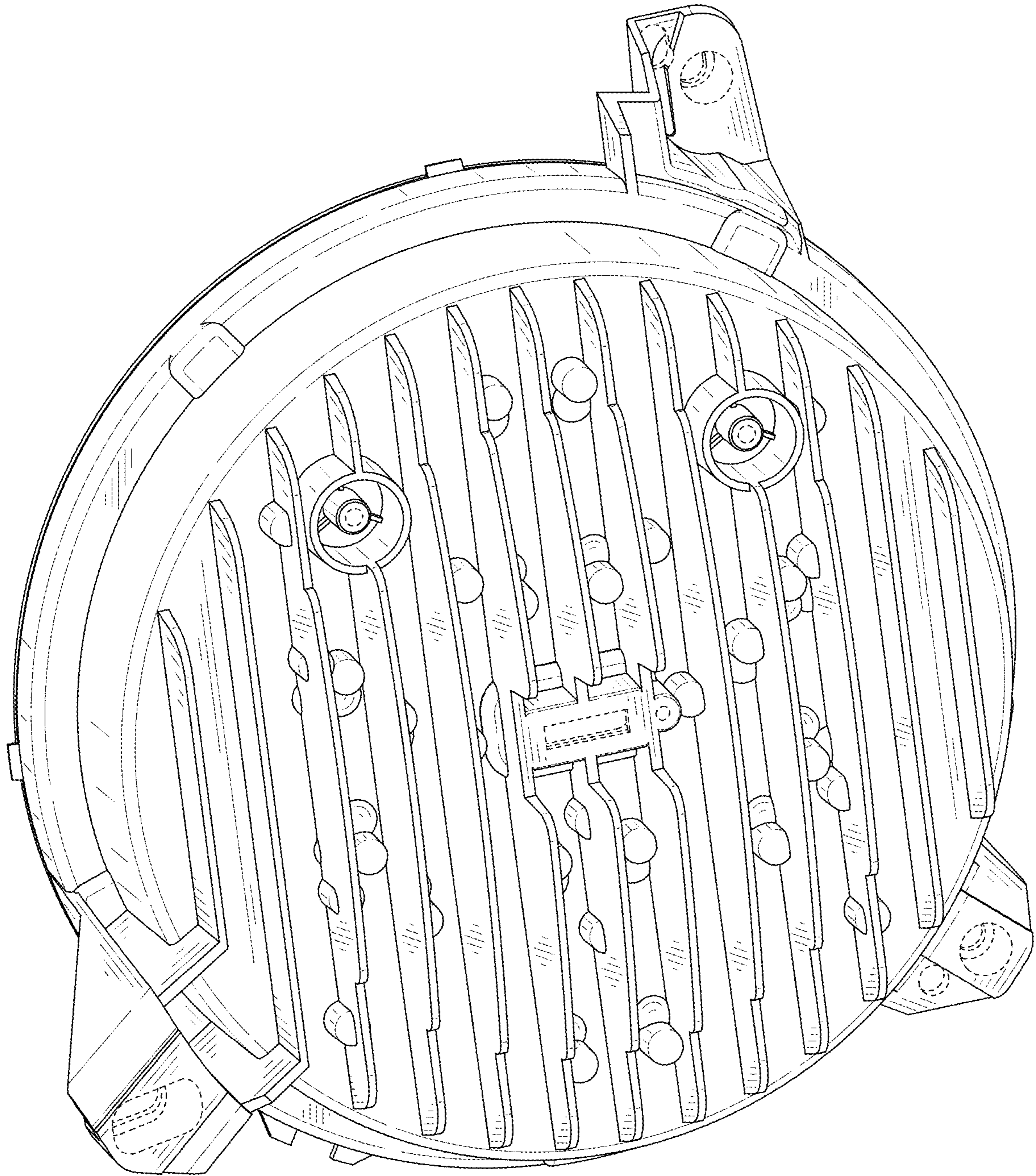


FIG. 2

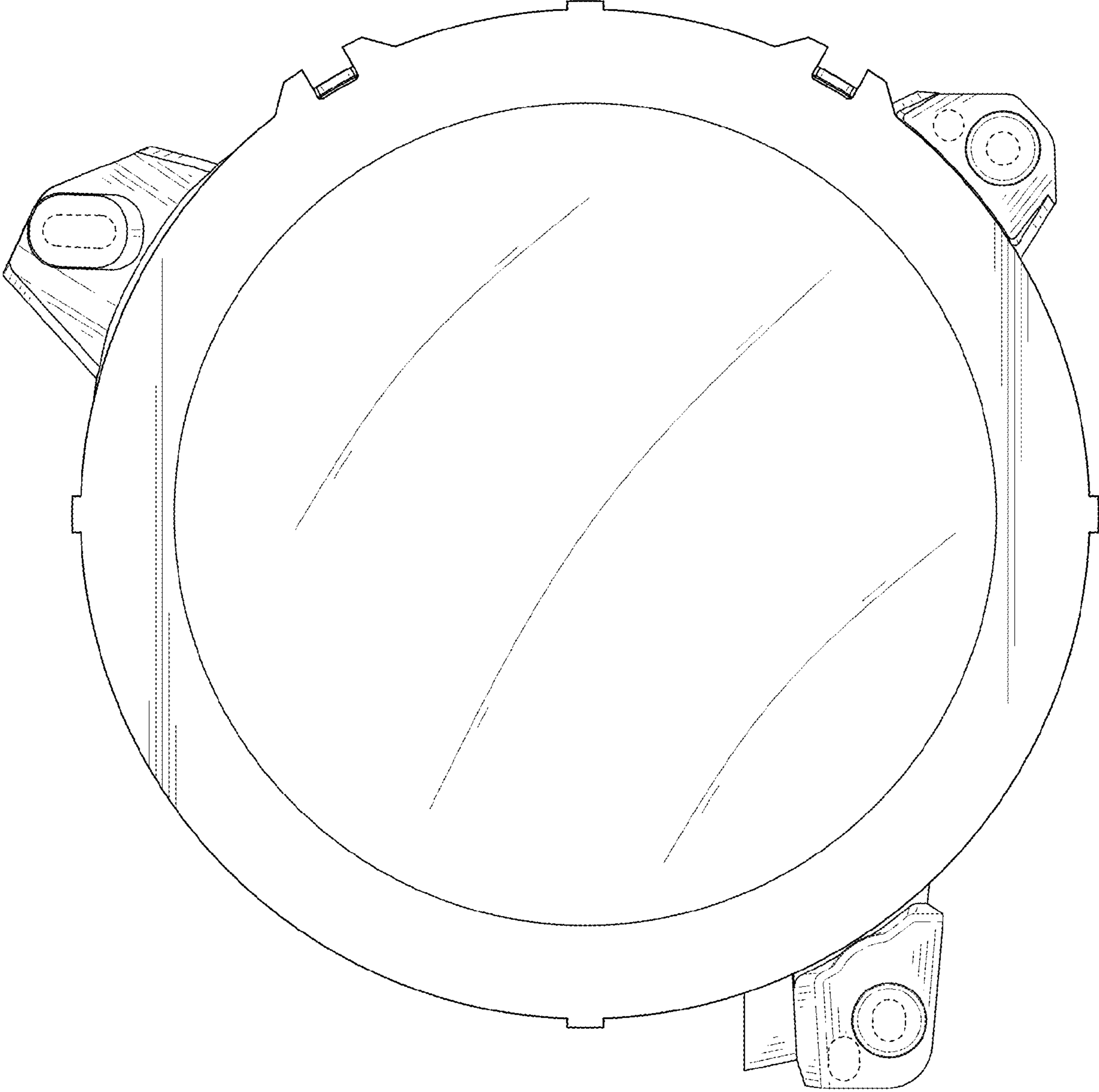


FIG. 3

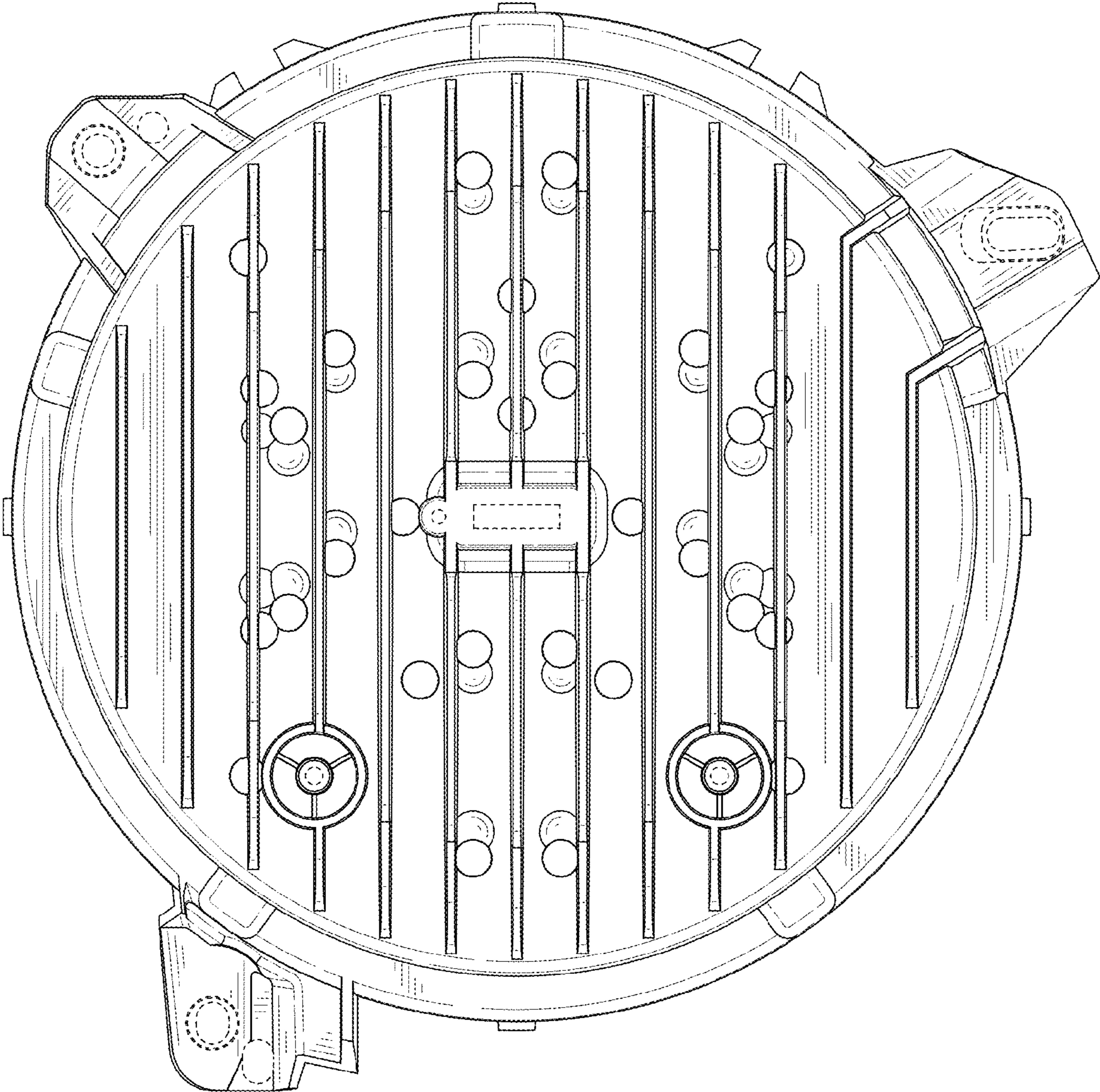


FIG. 4

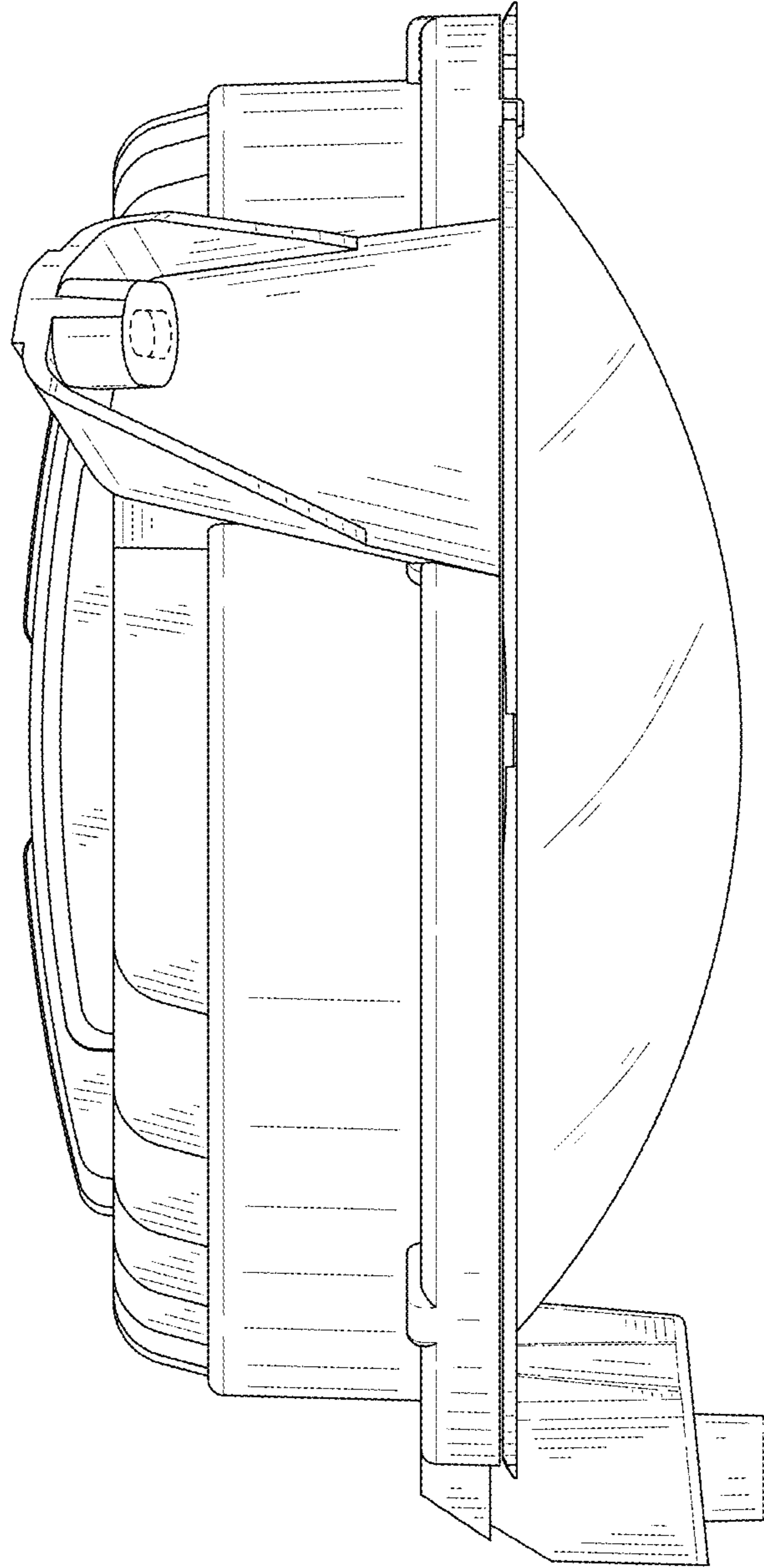


FIG. 5

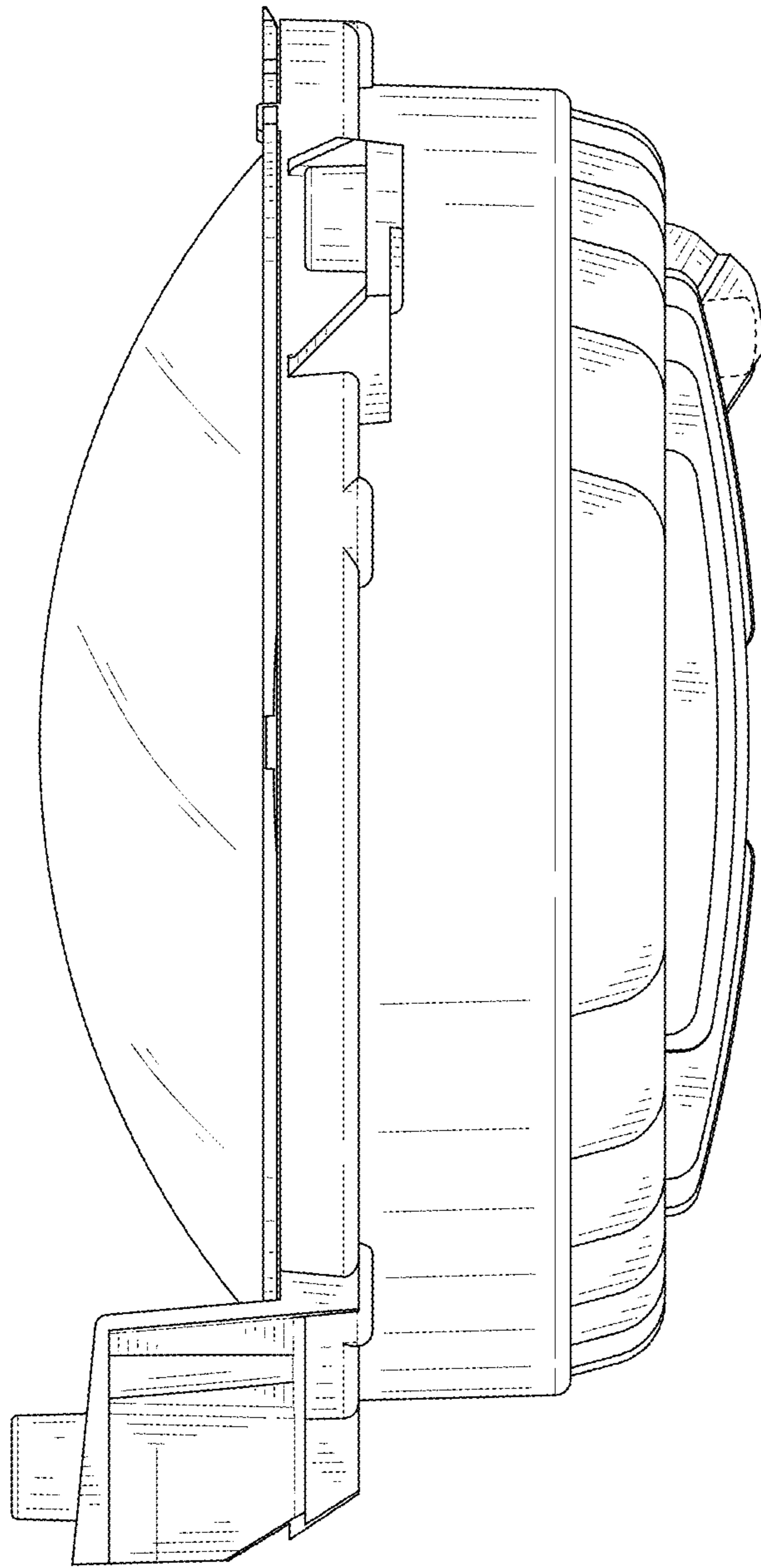


FIG. 6

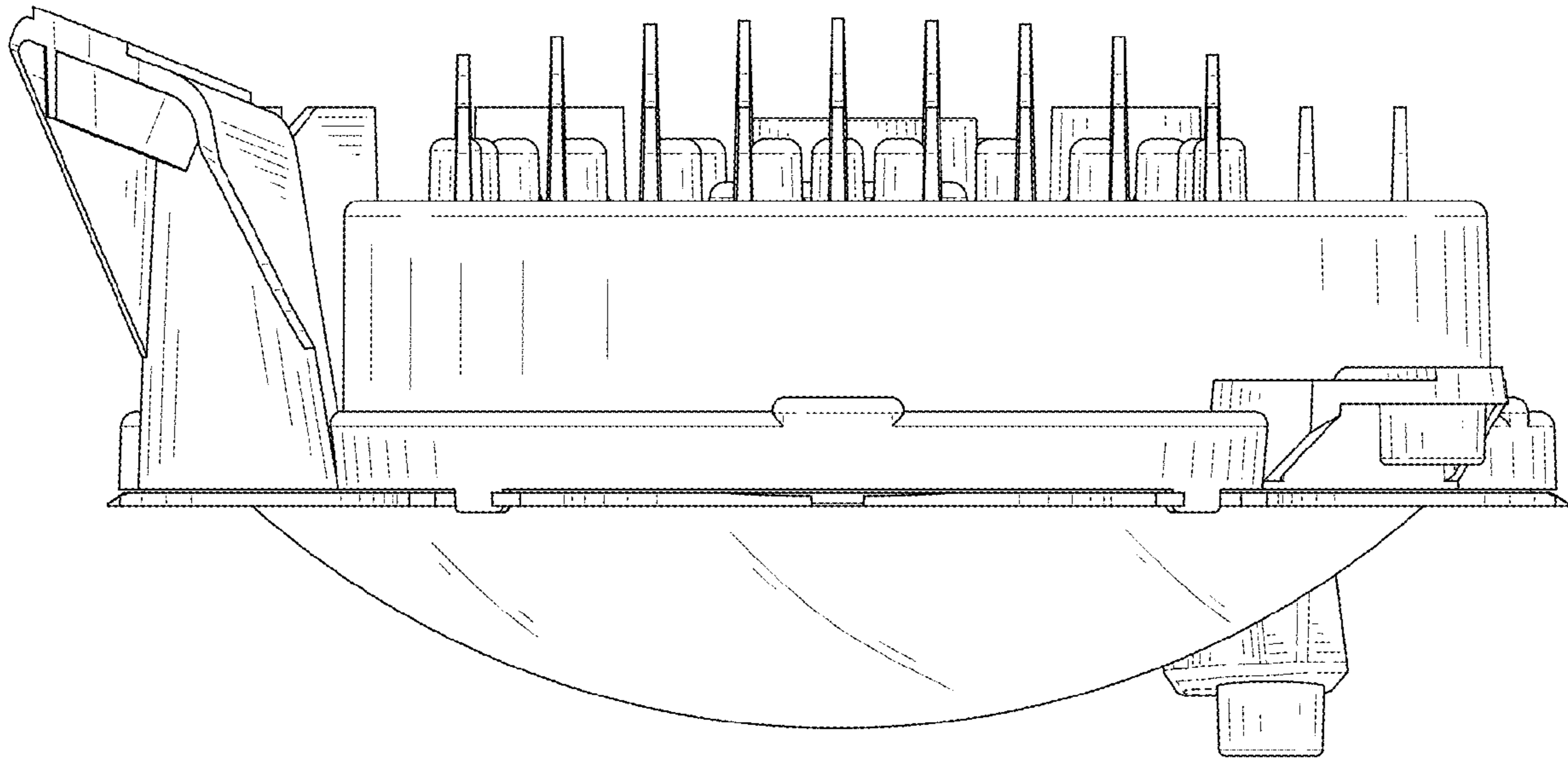


FIG. 7



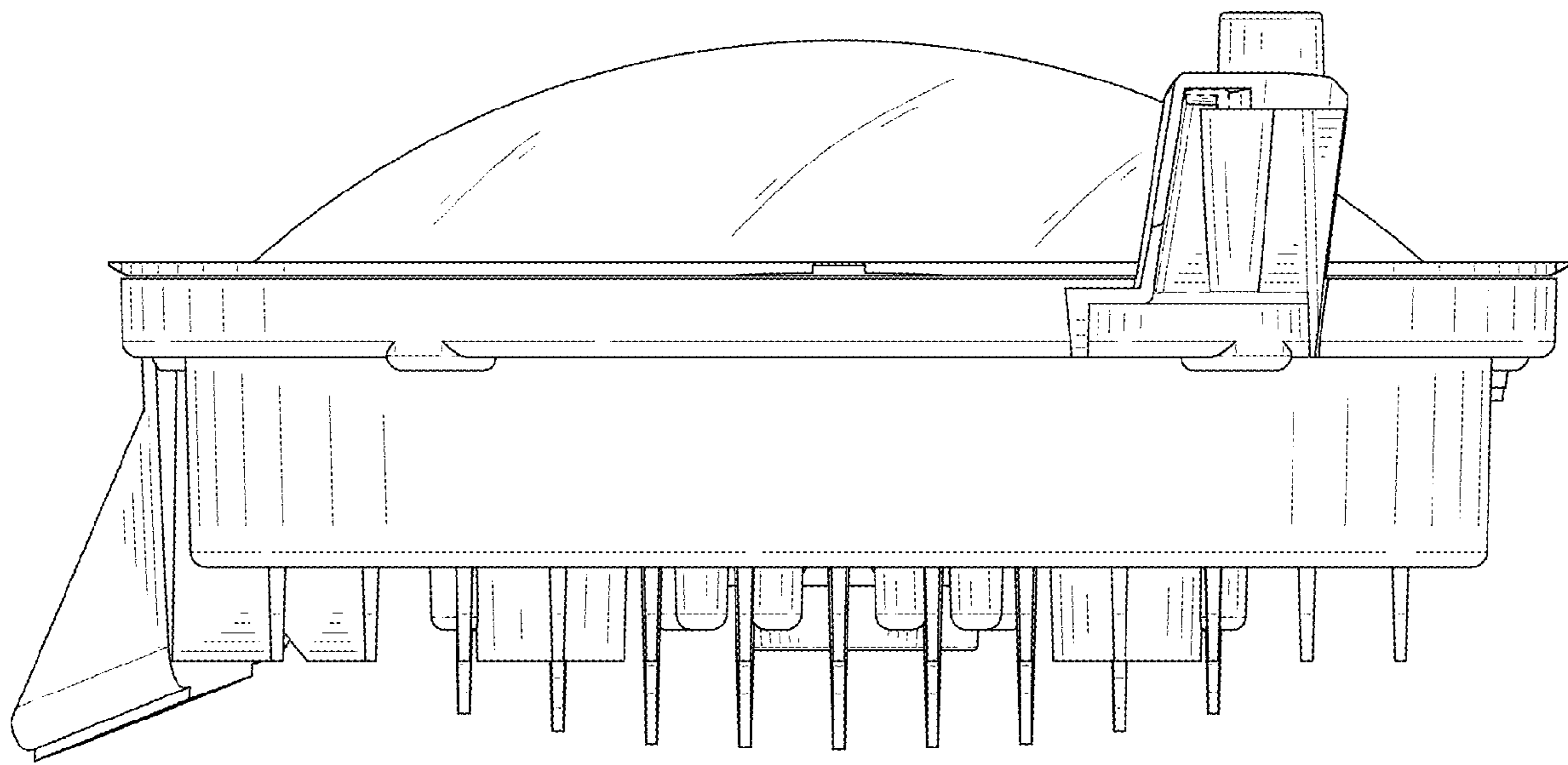


FIG. 8