



US00D886342S

(12) **United States Design Patent** (10) **Patent No.:** **US D886,342 S**  
**Chen** (45) **Date of Patent:** **\*\* Jun. 2, 2020**

(54) **VEHICLE SIDE VIEW LAMP** D711,565 S \* 8/2014 Tsai ..... D26/28  
D715,976 S \* 10/2014 Chou ..... D26/28  
(71) Applicant: **CHRIS CAM INDUSTRY INC.,** D851,304 S \* 6/2019 Ko ..... D26/28  
Tainan (TW)

\* cited by examiner

(72) Inventor: **Cheng-Chung Chen,** Tainan (TW)

*Primary Examiner* — Marcus A Jackson

(73) Assignee: **Chris Cam Industry Inc.,** Tainan (TW)

(74) *Attorney, Agent, or Firm* — Rosenberg, Klein & Lee

(\*\*) Term: **15 Years**

(21) Appl. No.: **29/668,196**

(57) **CLAIM**

(22) Filed: **Oct. 29, 2018**

The ornamental design for a vehicle side view lamp, as shown and described.

(51) **LOC (12) Cl.** ..... **26-06**

(52) **U.S. Cl.**  
USPC ..... **D26/28**

**DESCRIPTION**

(58) **Field of Classification Search**  
USPC ..... D26/28–36, 139  
CPC ..... F21S 48/00; F21S 48/10; F21S 48/115;  
F21S 48/225; F21S 48/1233; F21S  
48/1266; F21S 48/1388; F21S 48/2268;  
F21V 21/04; B60Q 9/13; B60Q 9/135;  
B60Q 9/1375

FIG. 1 is a perspective view of a vehicle side view lamp showing my new design;  
FIG. 2 is a front elevational view thereof;  
FIG. 3 is a rear elevational view thereof;  
FIG. 4 is a left side elevational view thereof;  
FIG. 5 is a right side elevational view thereof;  
FIG. 6 is a top plan view thereof; and,  
FIG. 7 is a bottom plan view thereof.

See application file for complete search history.

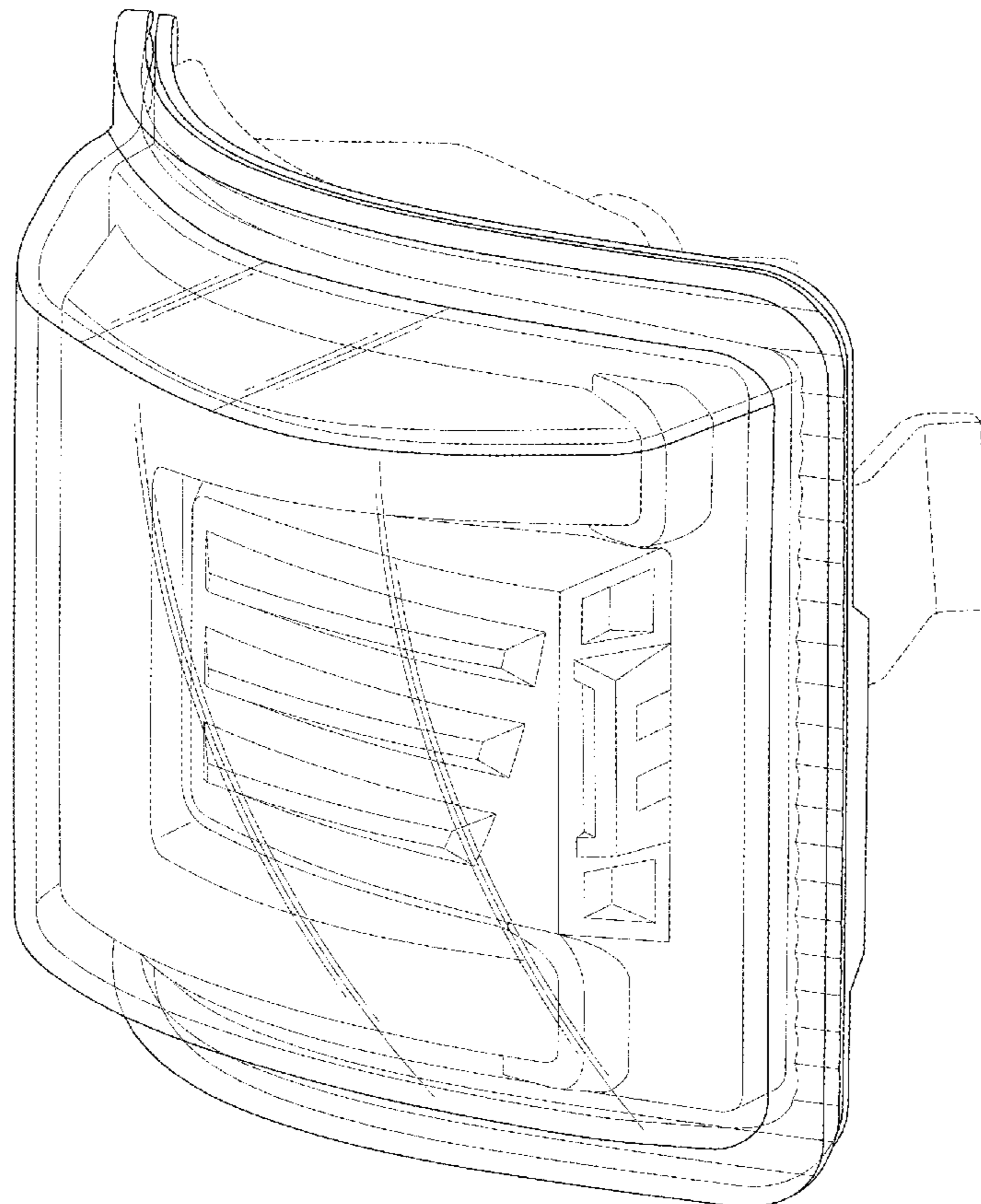
The broken lines shown in the figures are included for illustrating unclaimed portions of the vehicle side view lamp and form no part of the claimed design.

(56) **References Cited**

**U.S. PATENT DOCUMENTS**

D578,678 S \* 10/2008 Huang ..... D26/28  
D693,035 S \* 11/2013 Datz ..... D26/28

**1 Claim, 7 Drawing Sheets**



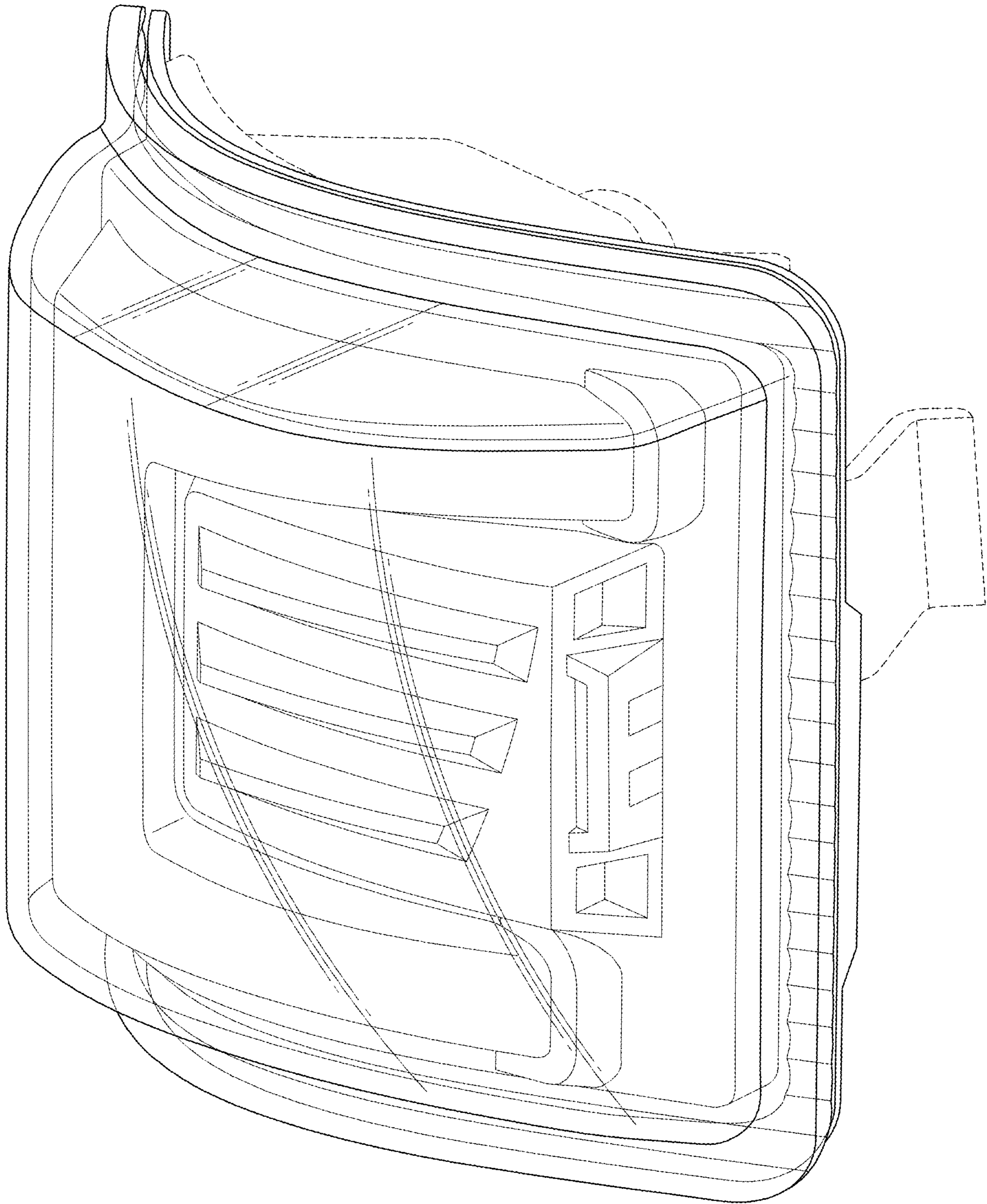


FIG. 1

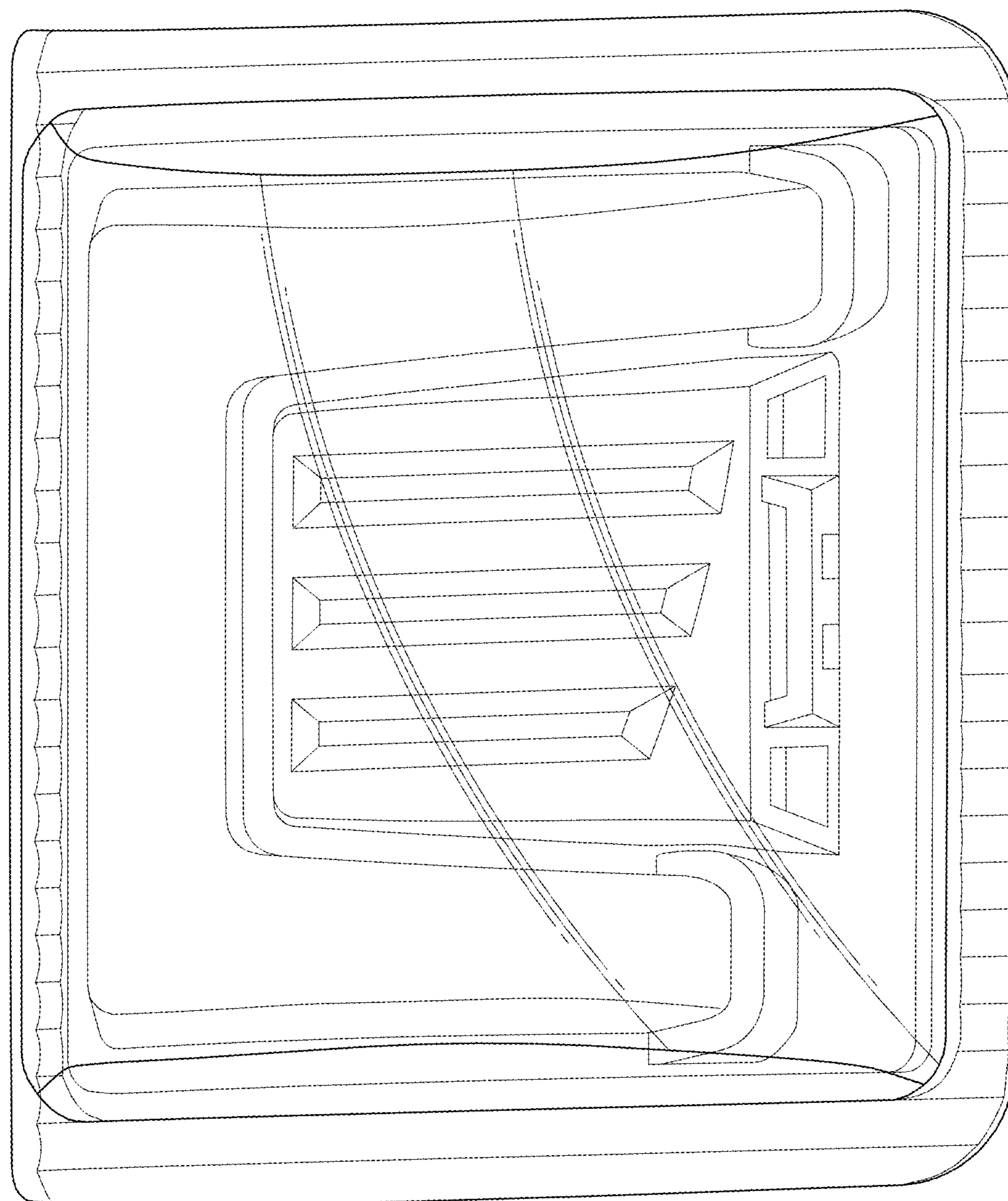


FIG. 2



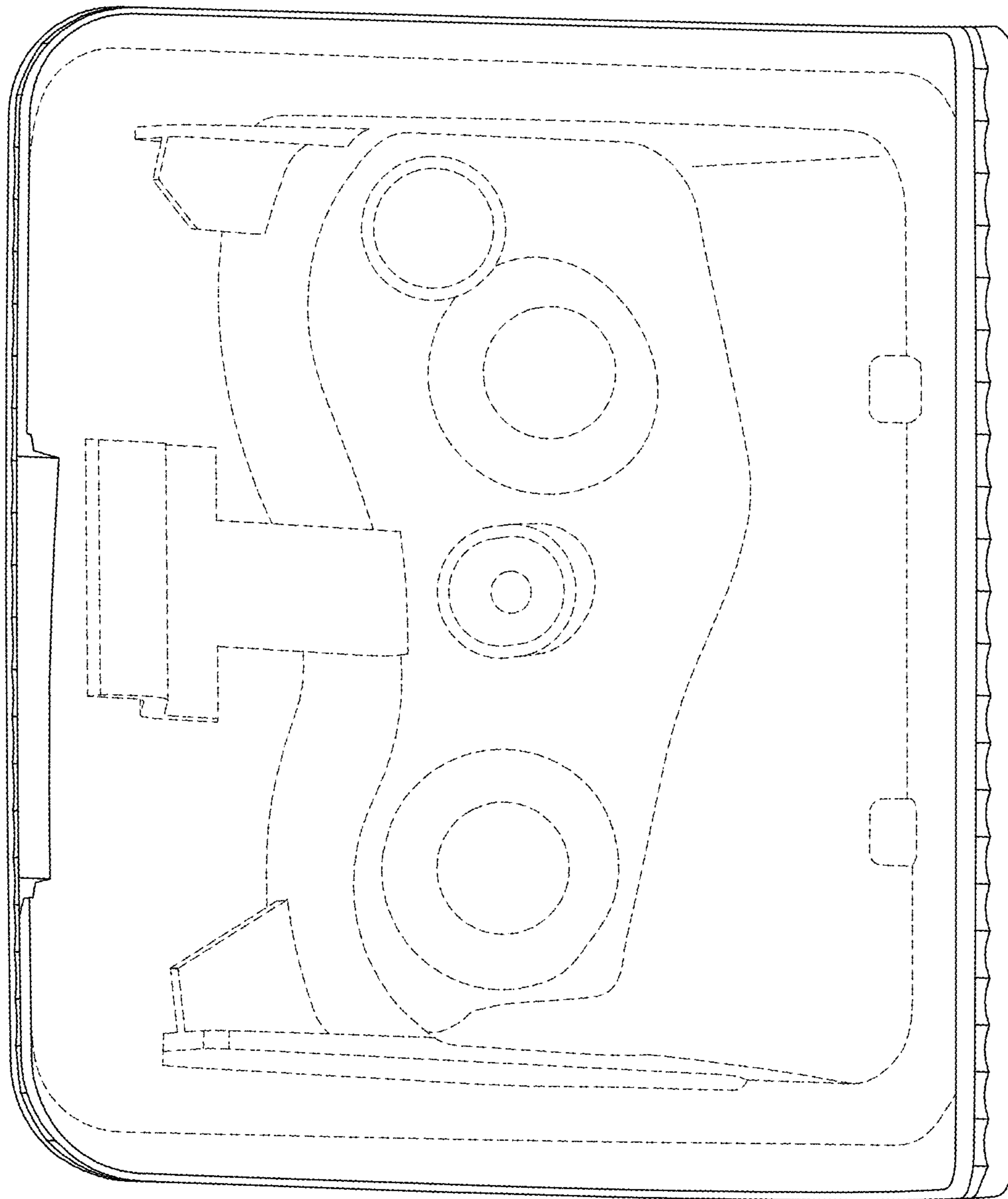


FIG. 3

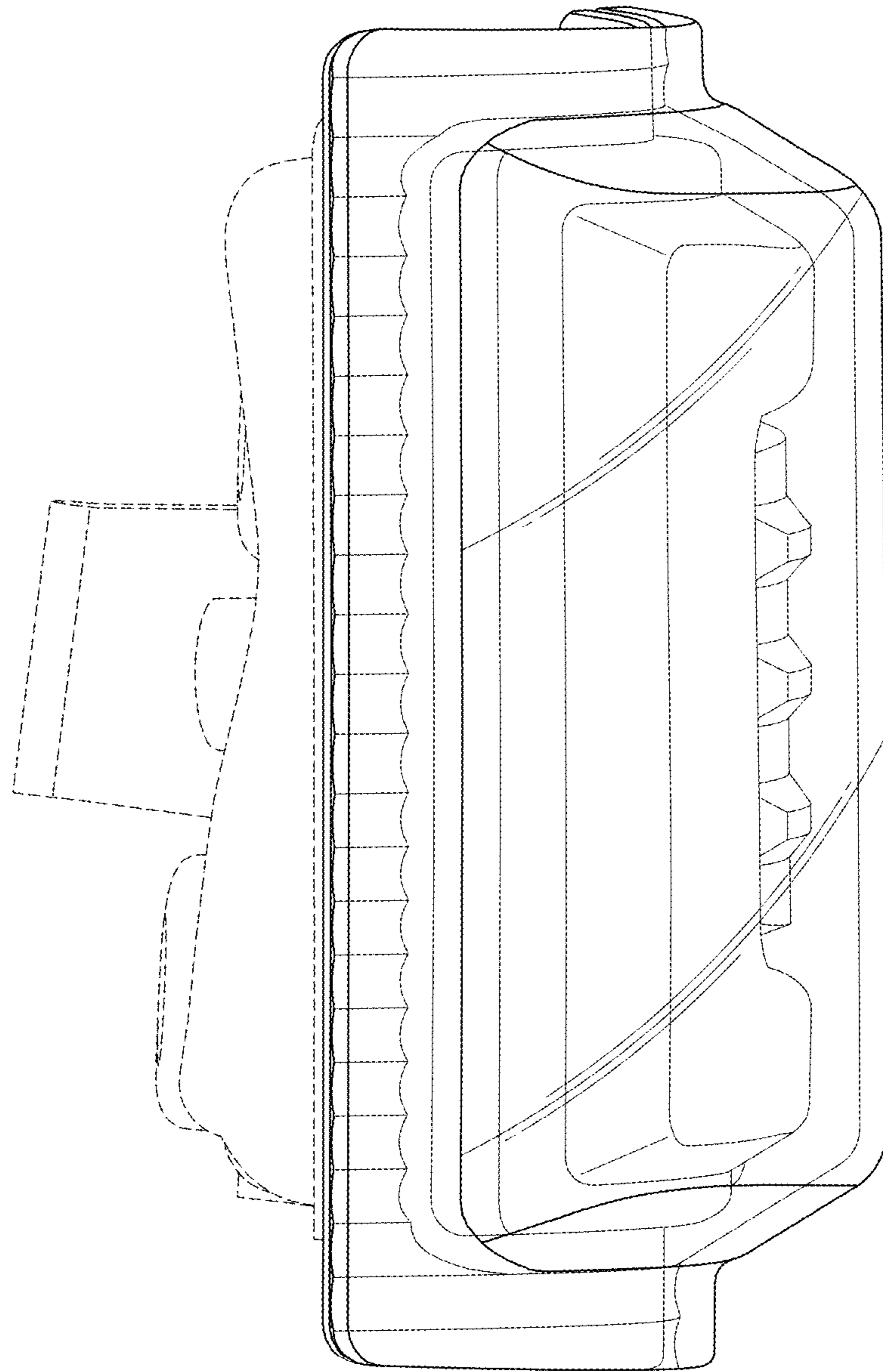


FIG. 4

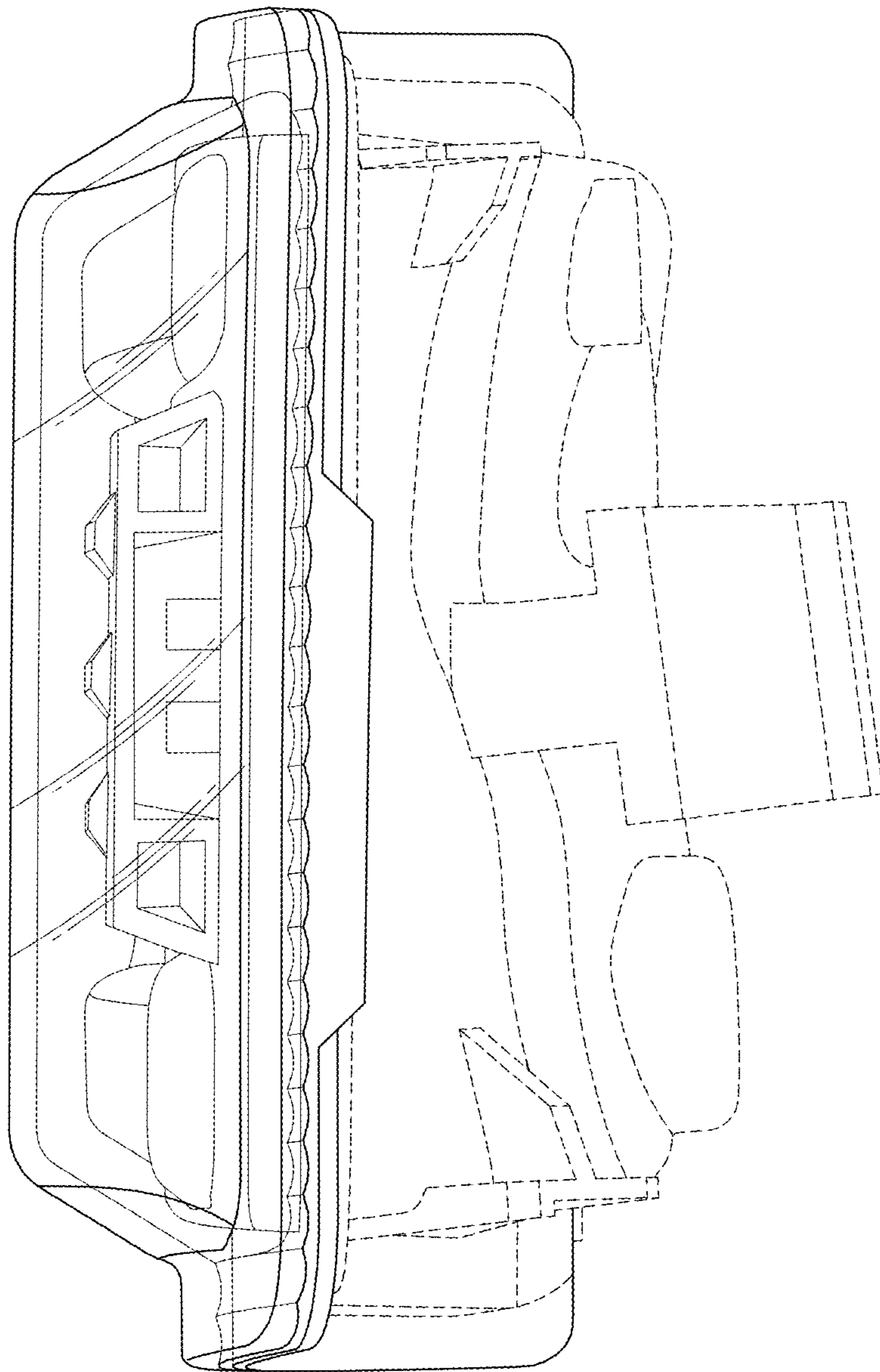


FIG. 5

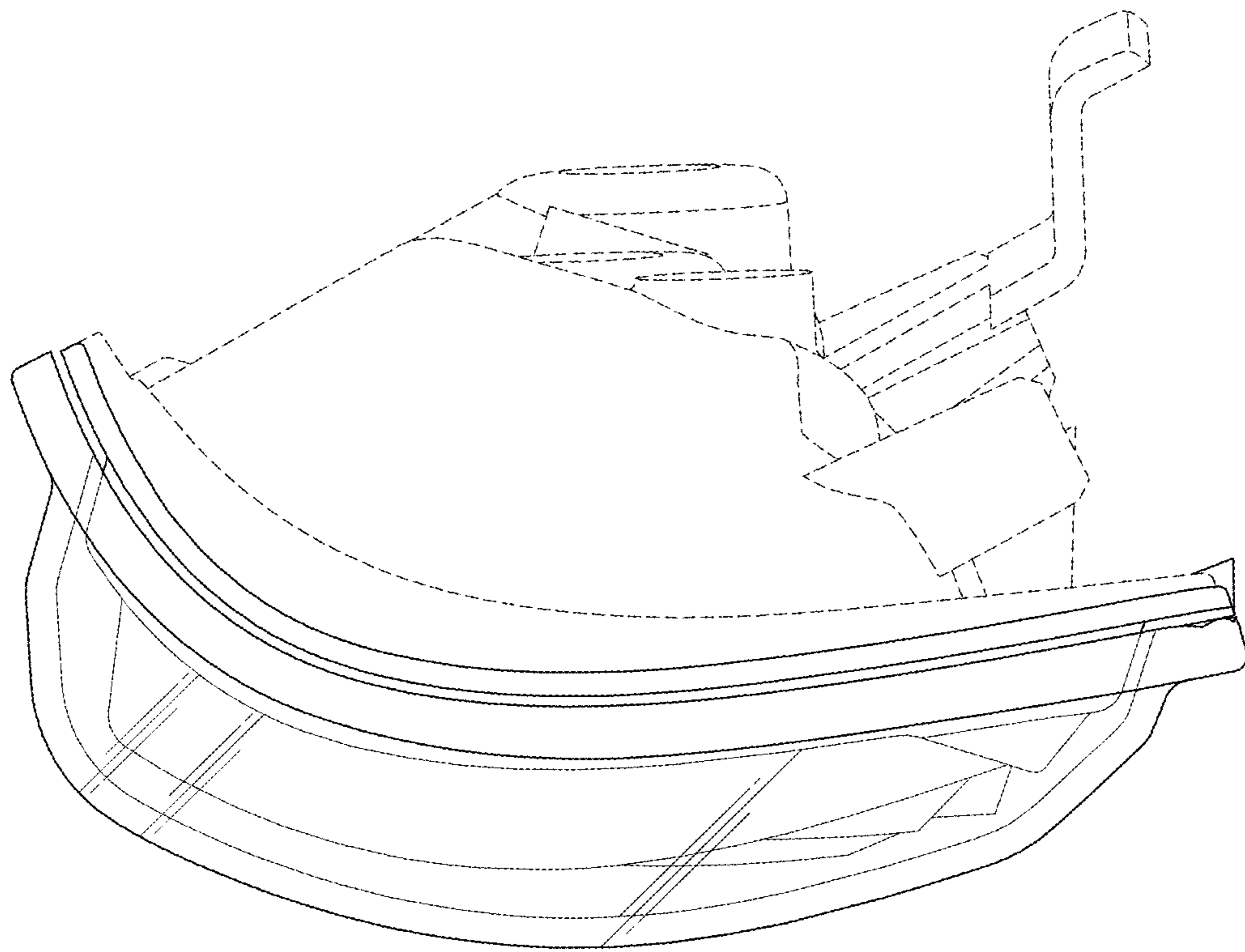


FIG. 6

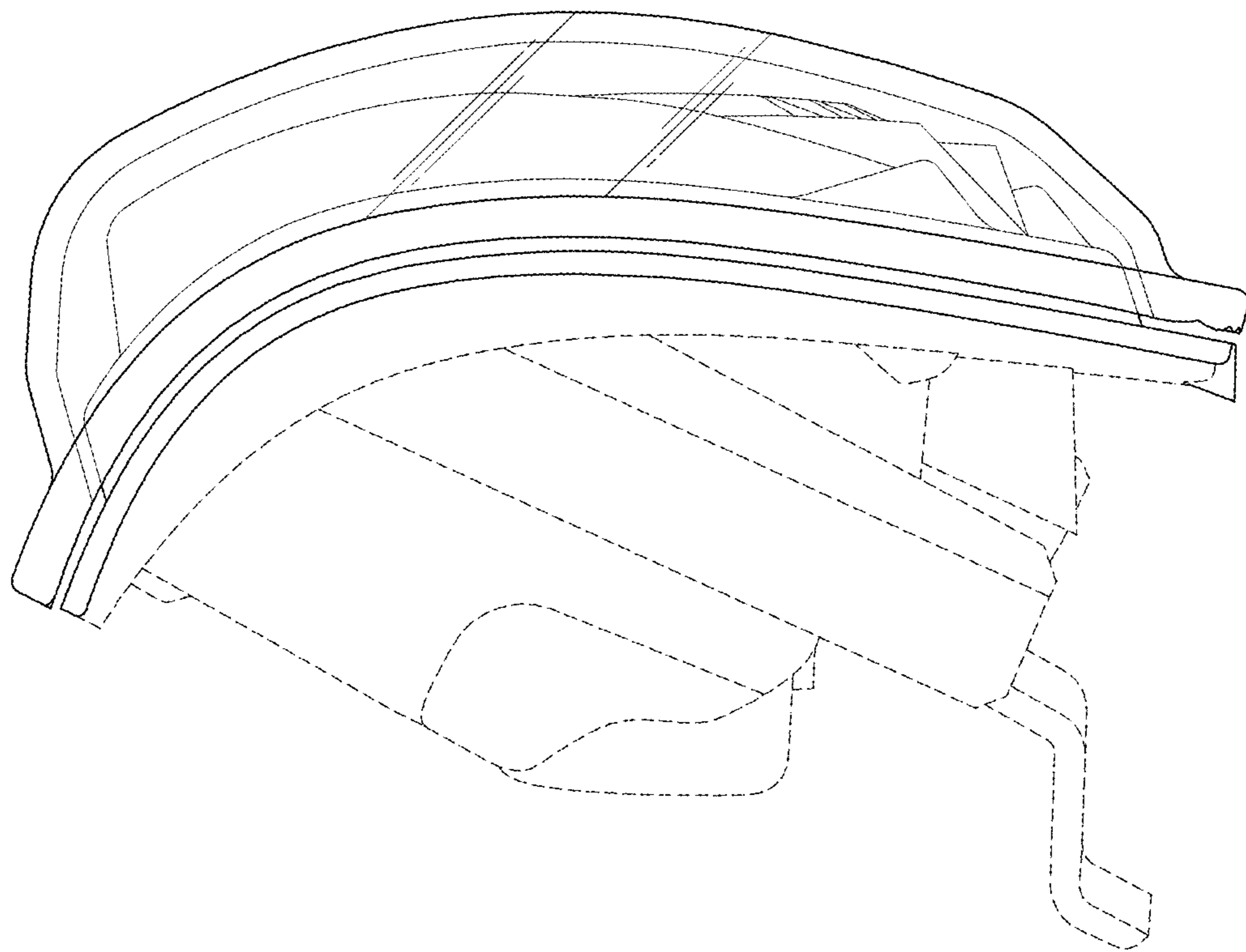


FIG. 7