



US00D886340S

(12) **United States Design Patent**  
**Wu**

(10) **Patent No.:** **US D886,340 S**  
(45) **Date of Patent:** **\*\* Jun. 2, 2020**

(54) **LIGHTING UNIT FOR A VEHICLE LIGHT**

(71) Applicant: **COPLUS INC.**, Tainan (TW)

(72) Inventor: **Po-Hua Wu**, Tainan (TW)

(73) Assignee: **Coplus Inc.**, Tainan (TW)

(\*\*) Term: **15 Years**

(21) Appl. No.: **29/665,237**

(22) Filed: **Oct. 1, 2018**

(30) **Foreign Application Priority Data**

Aug. 22, 2018 (TW) ..... 107304942

(51) **LOC (12) Cl.** ..... **26-06**

(52) **U.S. Cl.**  
USPC ..... **D26/28**

(58) **Field of Classification Search**  
USPC ..... D26/28-36, 139  
CPC ..... F21S 48/00; F21S 48/10; F21S 48/115;  
F21S 48/225; F21S 48/1233; F21S  
48/1266; F21S 48/1388; F21S 48/2268;  
F21V 21/04; B60Q 9/13; B60Q 9/135;  
B60Q 9/1375  
See application file for complete search history.

(56) **References Cited**

**U.S. PATENT DOCUMENTS**

D643,559 S \* 8/2011 Seymour ..... D26/28  
D643,955 S \* 8/2011 Tsai ..... D26/28

D760,406 S \* 6/2016 Huang ..... D26/28  
D788,958 S \* 6/2017 Ko ..... D26/28  
D793,592 S \* 8/2017 Chen ..... D26/28  
D798,475 S \* 9/2017 Georgitsis ..... D26/28  
D803,429 S \* 11/2017 Martin ..... D26/28

\* cited by examiner

*Primary Examiner* — Marcus A Jackson

(74) *Attorney, Agent, or Firm* — Lewis Roca Rothgerber  
Christie LLP

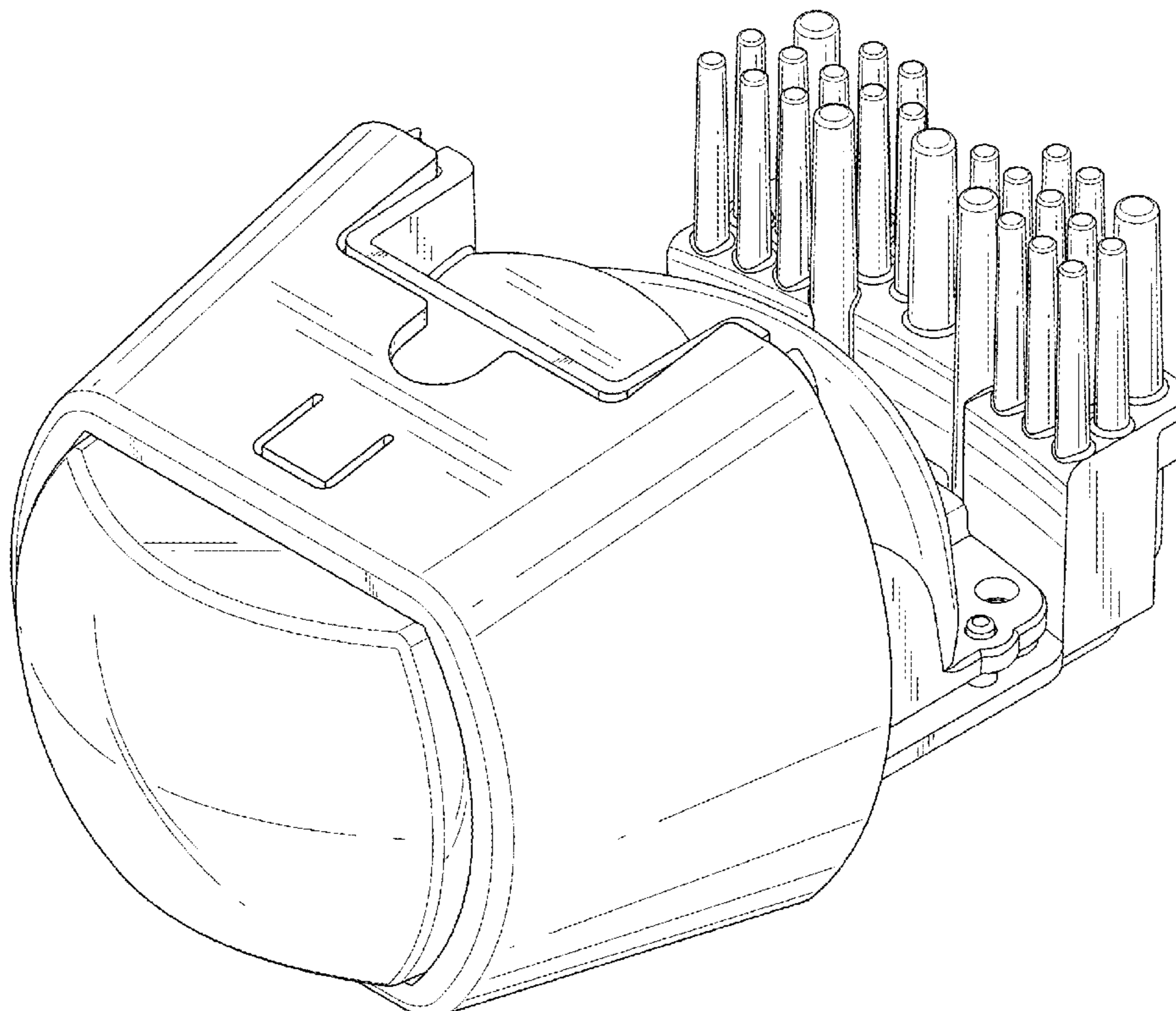
(57) **CLAIM**

The ornamental design for a lighting unit for a vehicle light,  
as shown and described.

**DESCRIPTION**

FIG. 1 is a front perspective view of the lighting unit for a  
vehicle light;  
FIG. 2 is a rear perspective view thereof;  
FIG. 3 is a front view thereof;  
FIG. 4 is a rear view thereof;  
FIG. 5 is a left side view thereof;  
FIG. 6 is a right side view thereof;  
FIG. 7 is a top view thereof; and,  
FIG. 8 is a bottom view.

**1 Claim, 8 Drawing Sheets**



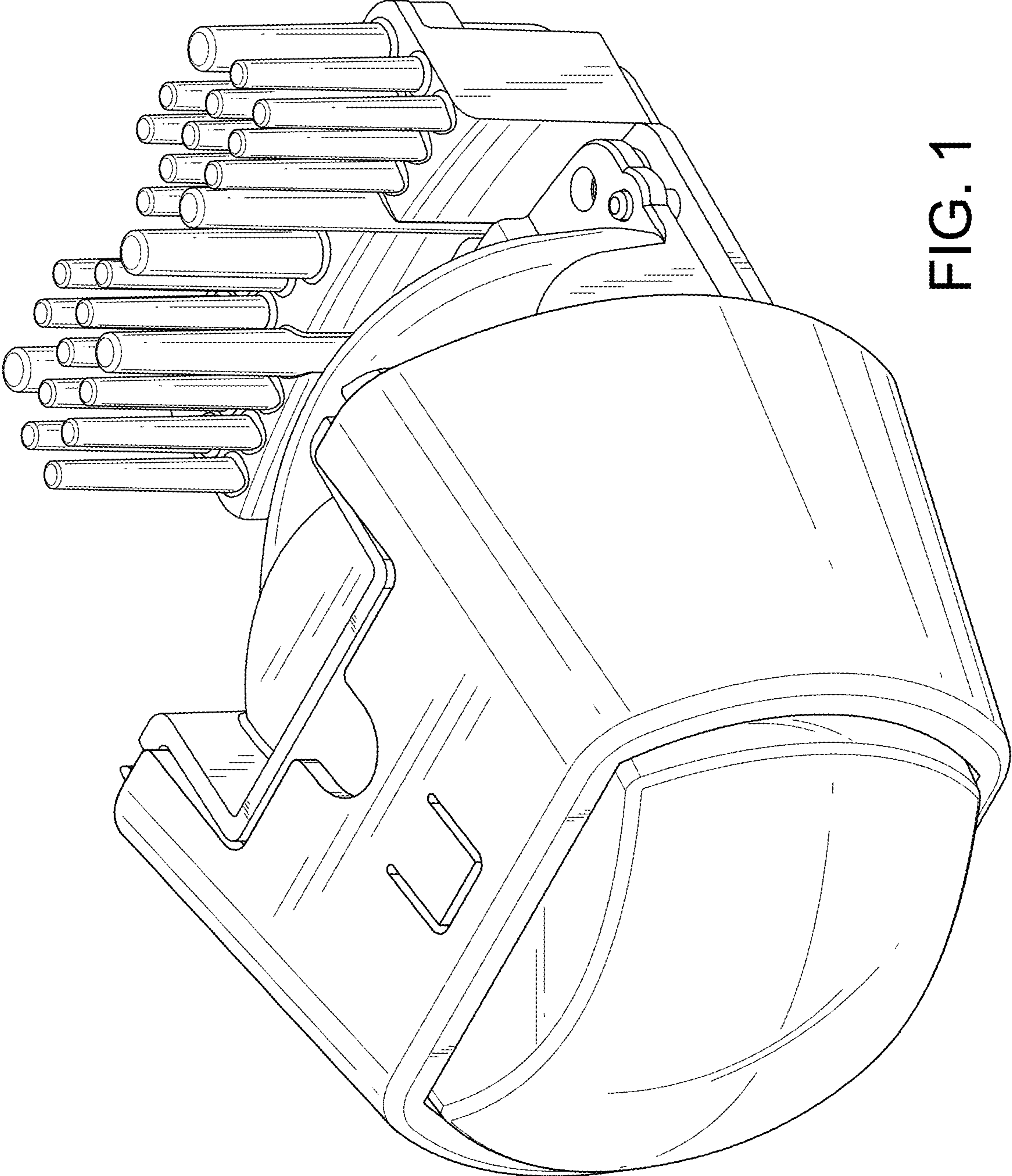


FIG. 1

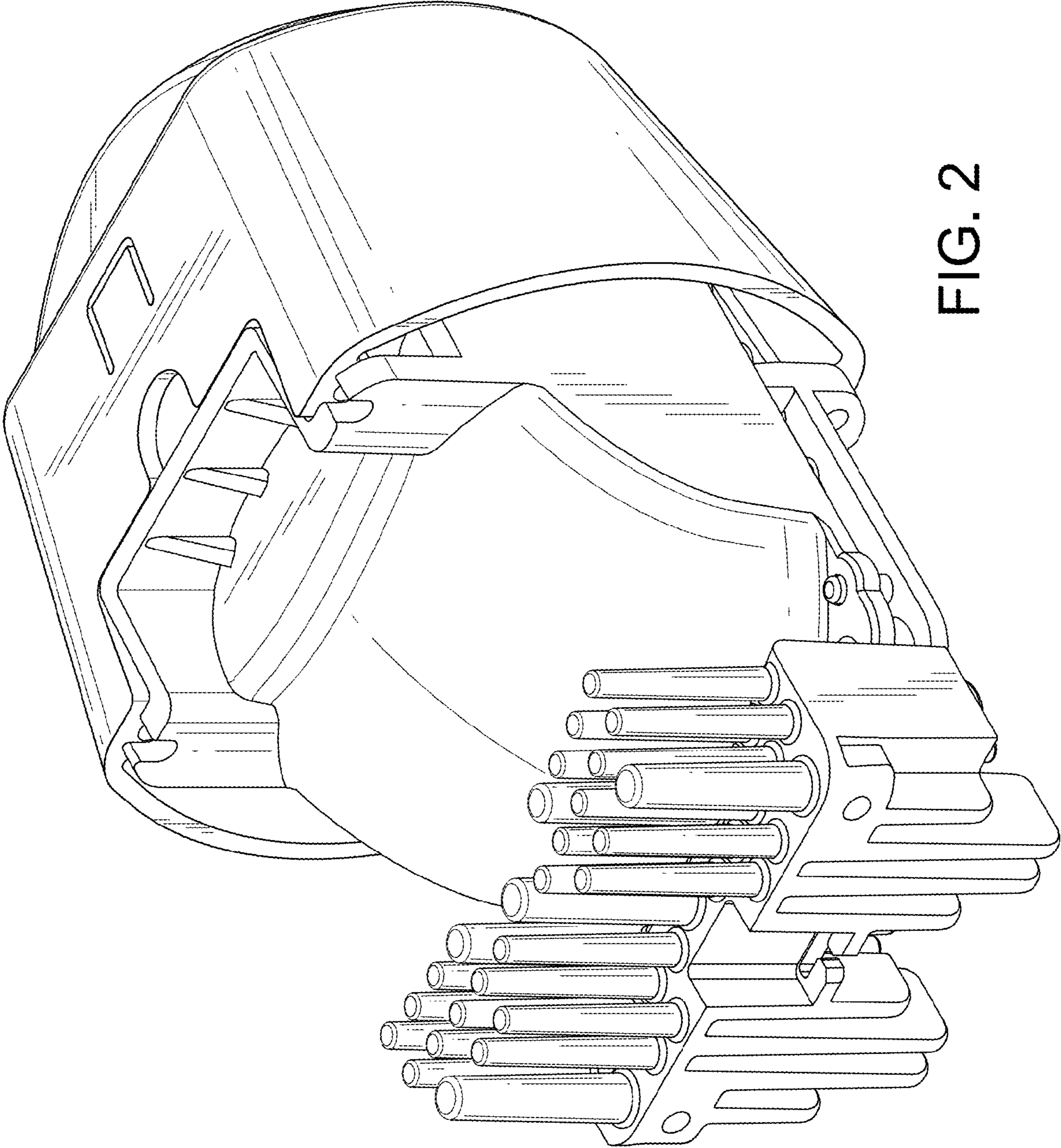


FIG. 2

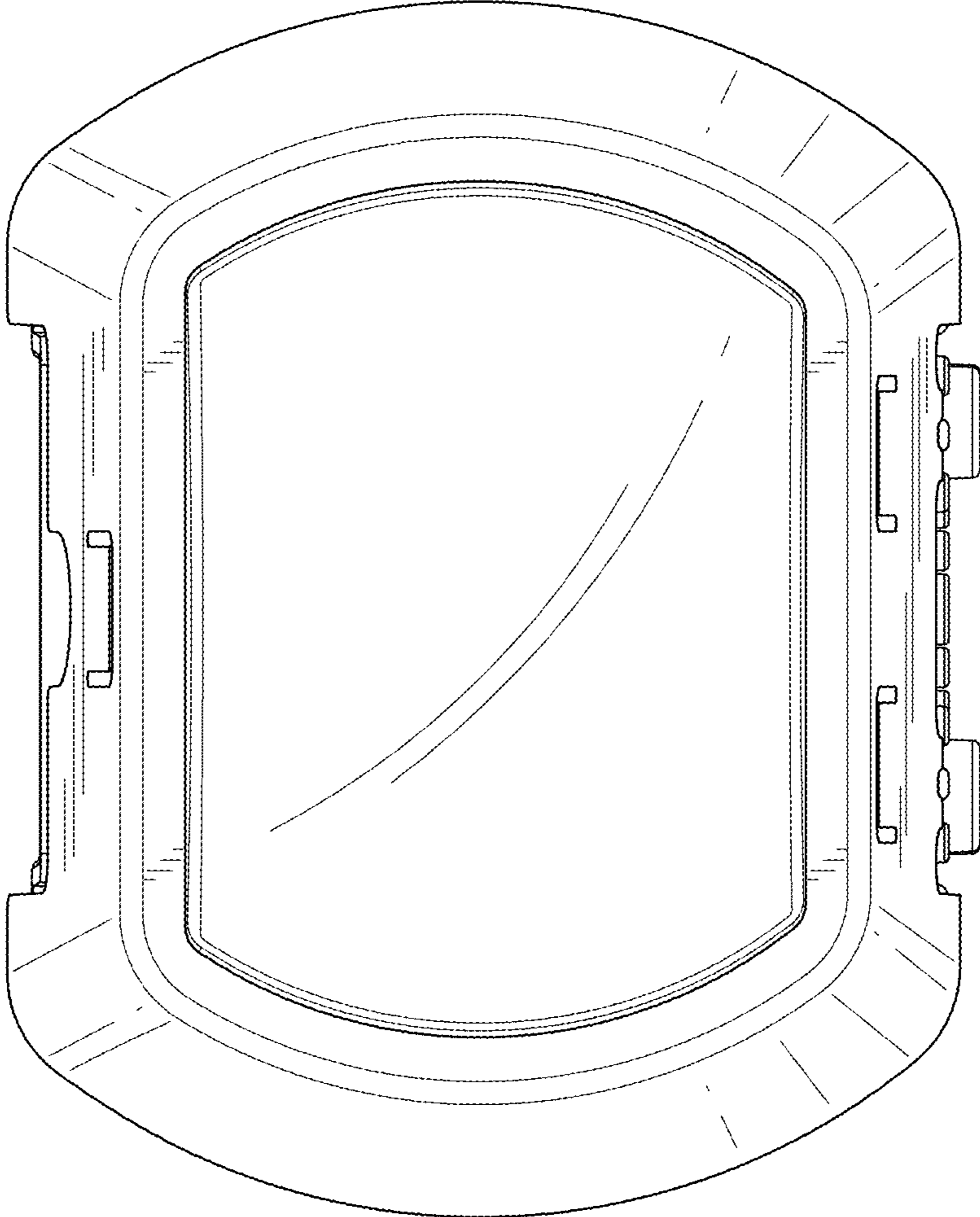


FIG. 3

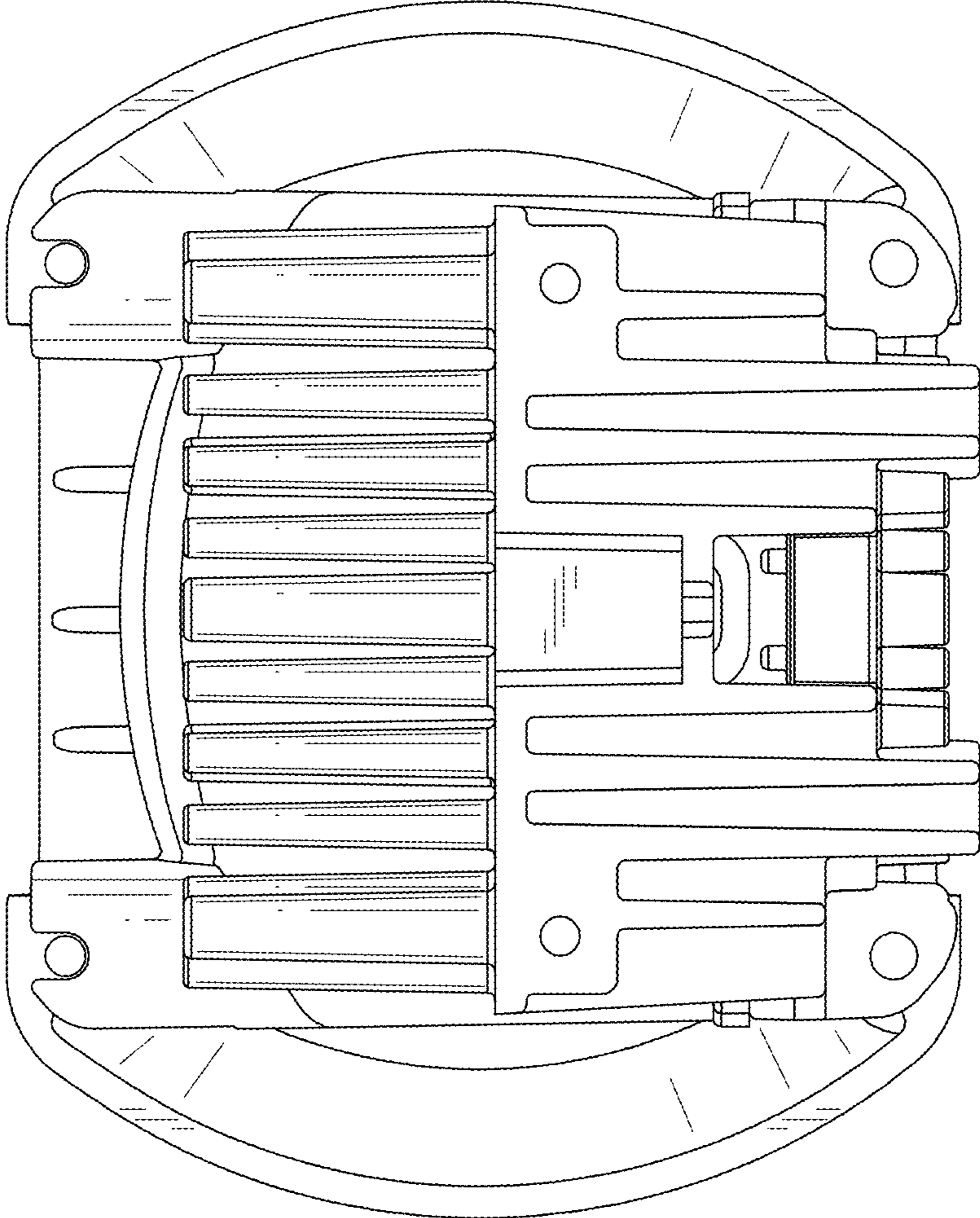


FIG. 4

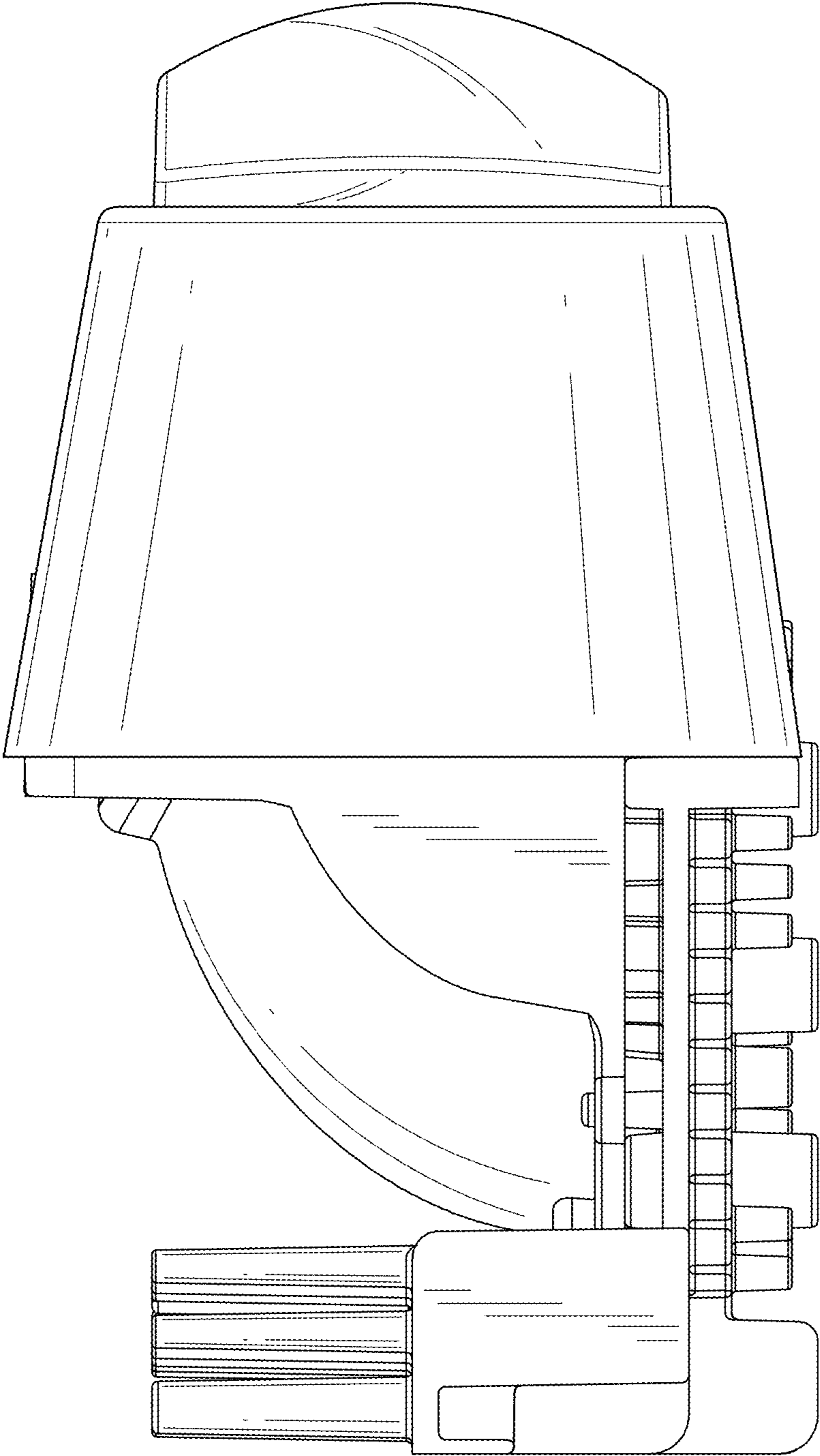


FIG. 5

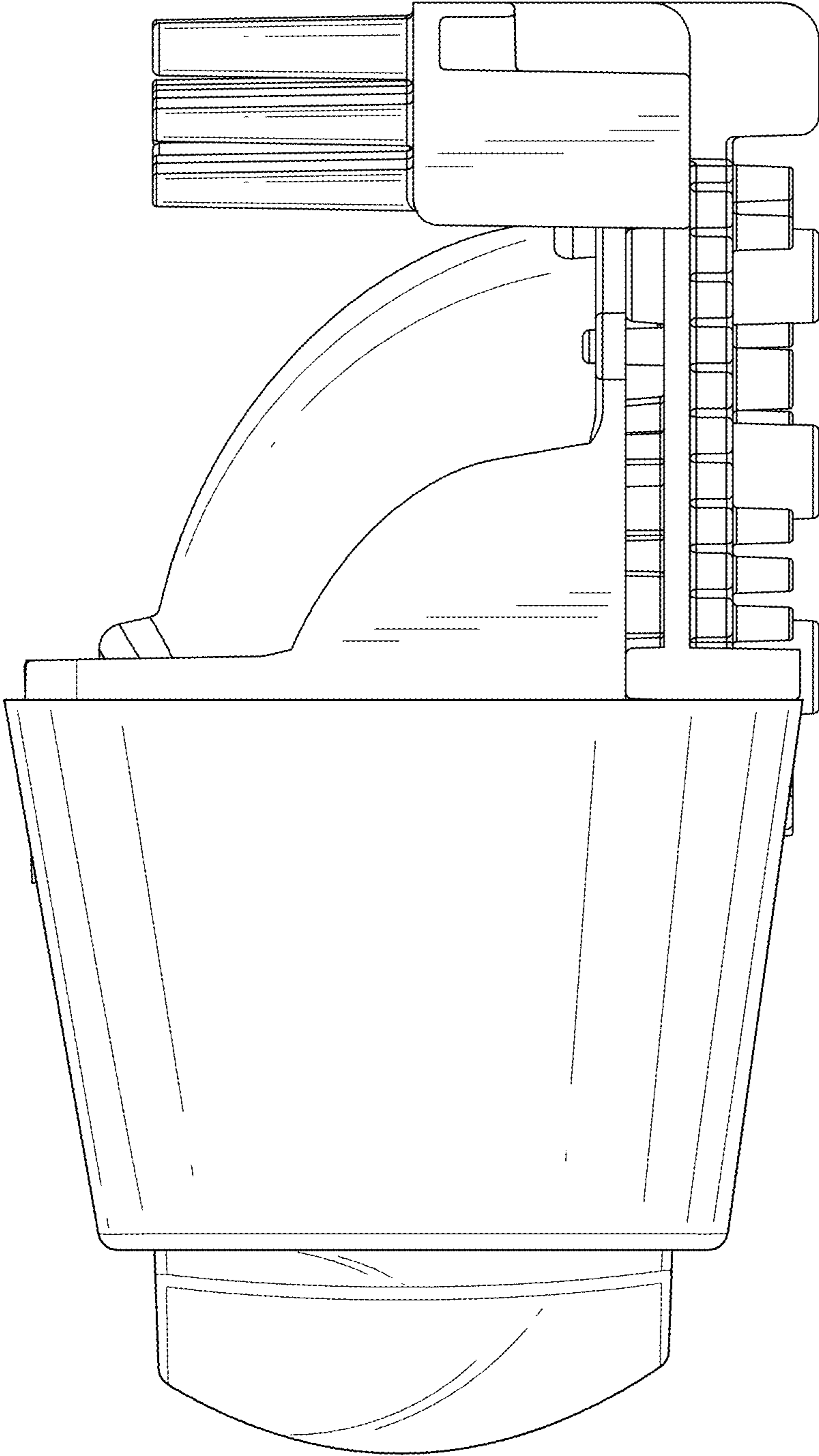


FIG. 6

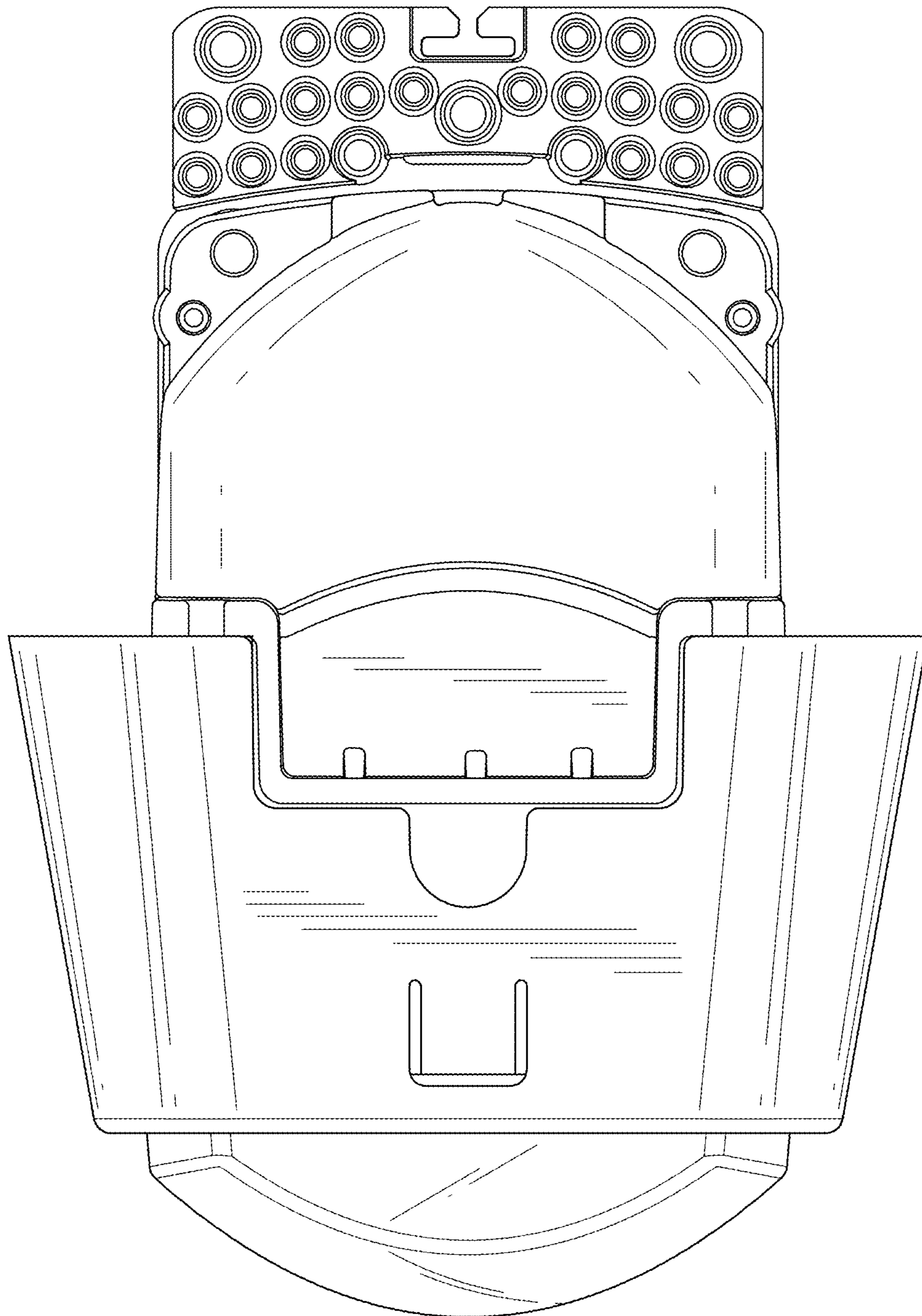


FIG. 7



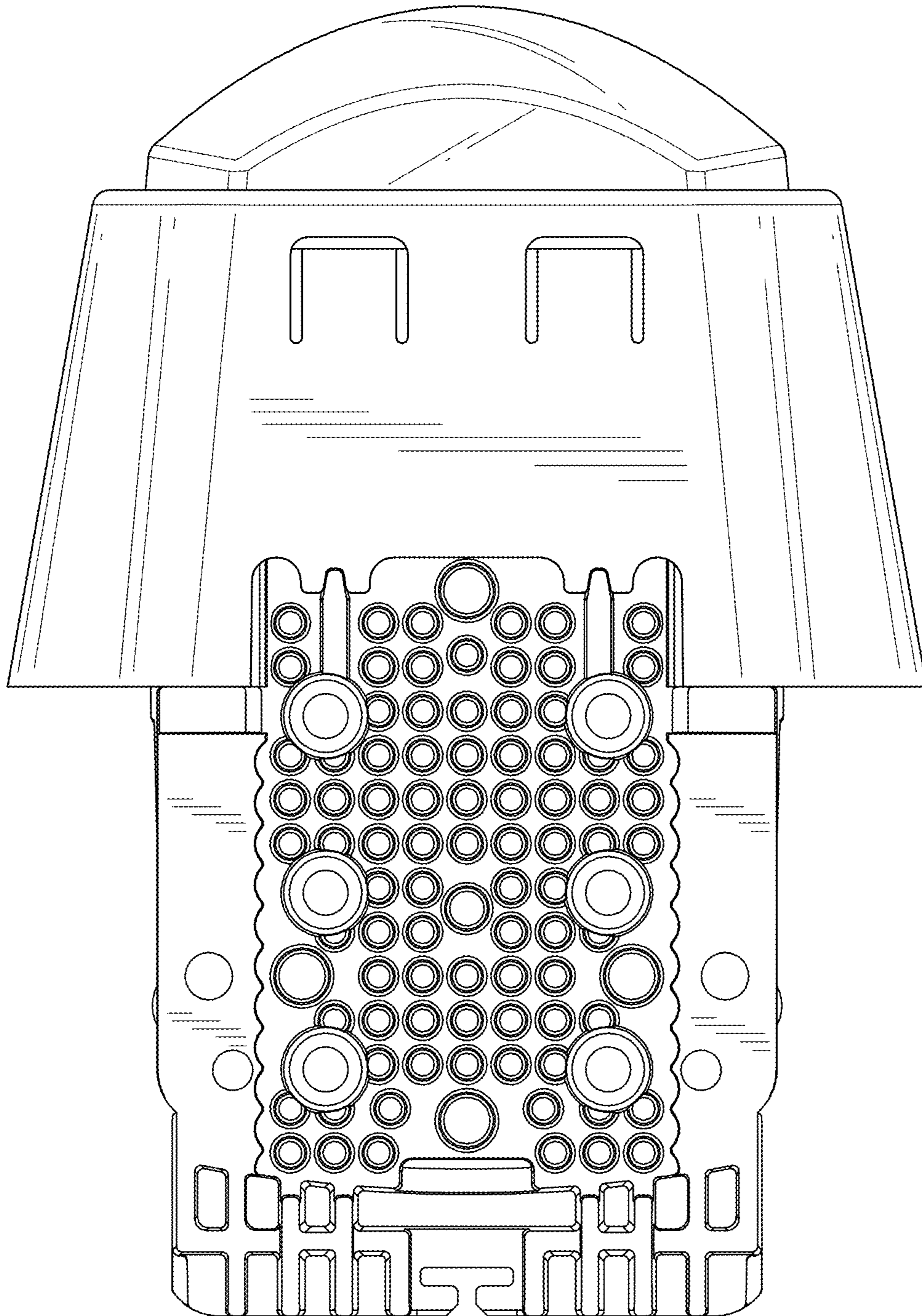


FIG. 8