



US00D886339S

(12) **United States Design Patent**  
**Wu**

(10) **Patent No.:** **US D886,339 S**  
(45) **Date of Patent:** **\*\* Jun. 2, 2020**

(54) **LIGHTING UNIT FOR A VEHICLE LIGHT**

(71) Applicant: **COPLUS INC.**, Tainan (TW)

(72) Inventor: **Po-Hua Wu**, Tainan (TW)

(73) Assignee: **Coplus Inc.**, Tainan (TW)

(\*\*) Term: **15 Years**

(21) Appl. No.: **29/665,236**

(22) Filed: **Oct. 1, 2018**

(30) **Foreign Application Priority Data**

Aug. 17, 2018 (TW) ..... 107304849

(51) **LOC (12) Cl.** ..... **26-06**

(52) **U.S. Cl.**  
USPC ..... **D26/28**

(58) **Field of Classification Search**

USPC ..... D26/28-36, 139

CPC ..... F21S 48/00; F21S 48/10; F21S 48/115;  
F21S 48/225; F21S 48/1233; F21S  
48/1266; F21S 48/1388; F21S 48/2268;  
F21V 21/04; B60Q 9/13; B60Q 9/135;  
B60Q 9/1375

See application file for complete search history.

(56) **References Cited**

**U.S. PATENT DOCUMENTS**

D485,625 S \* 1/2004 Egly ..... D26/28  
D496,113 S \* 9/2004 Lin ..... D26/28

D546,487 S \* 7/2007 Sinkwitz ..... D26/28  
D626,668 S \* 11/2010 Grebert ..... D26/28  
D626,670 S \* 11/2010 Metzger ..... D26/28  
D670,839 S \* 11/2012 Smarslik ..... D26/28  
D724,244 S \* 3/2015 Hayez ..... D26/28  
D775,381 S \* 12/2016 Jacq ..... D26/28  
D805,229 S \* 12/2017 Morgenstern ..... D26/28

\* cited by examiner

*Primary Examiner* — Marcus A Jackson

(74) *Attorney, Agent, or Firm* — Lewis Roca Rothgerber  
Christie, LLP

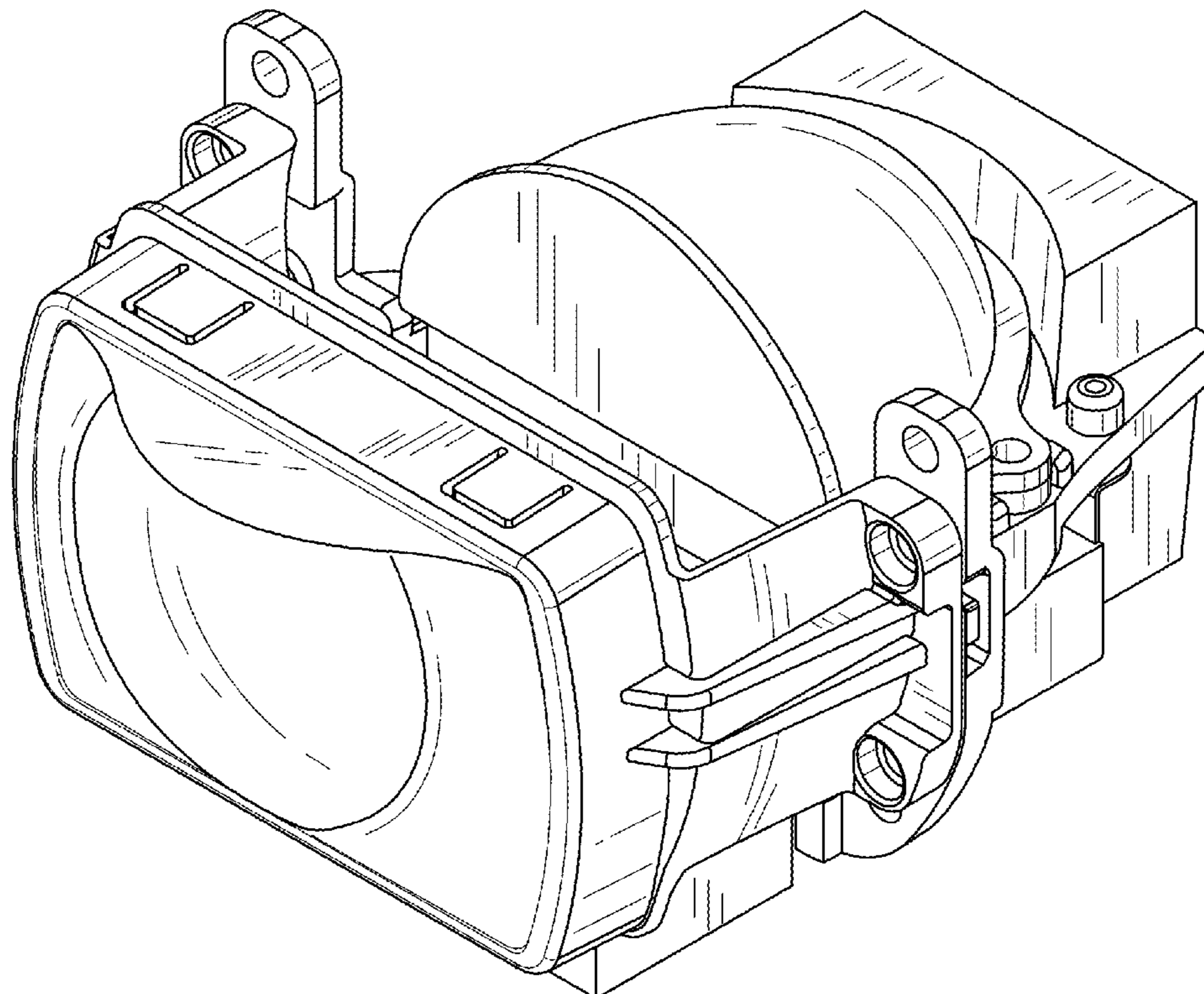
(57) **CLAIM**

The ornamental design for a lighting unit for a vehicle light,  
as shown and described.

**DESCRIPTION**

FIG. 1 is a front perspective view of the lighting unit for a  
vehicle light;  
FIG. 2 is a rear perspective view thereof;  
FIG. 3 is a front view thereof;  
FIG. 4 is a rear view thereof;  
FIG. 5 is a left side view thereof;  
FIG. 6 is a right side view thereof;  
FIG. 7 is a top view thereof; and,  
FIG. 8 is a bottom view.

**1 Claim, 6 Drawing Sheets**



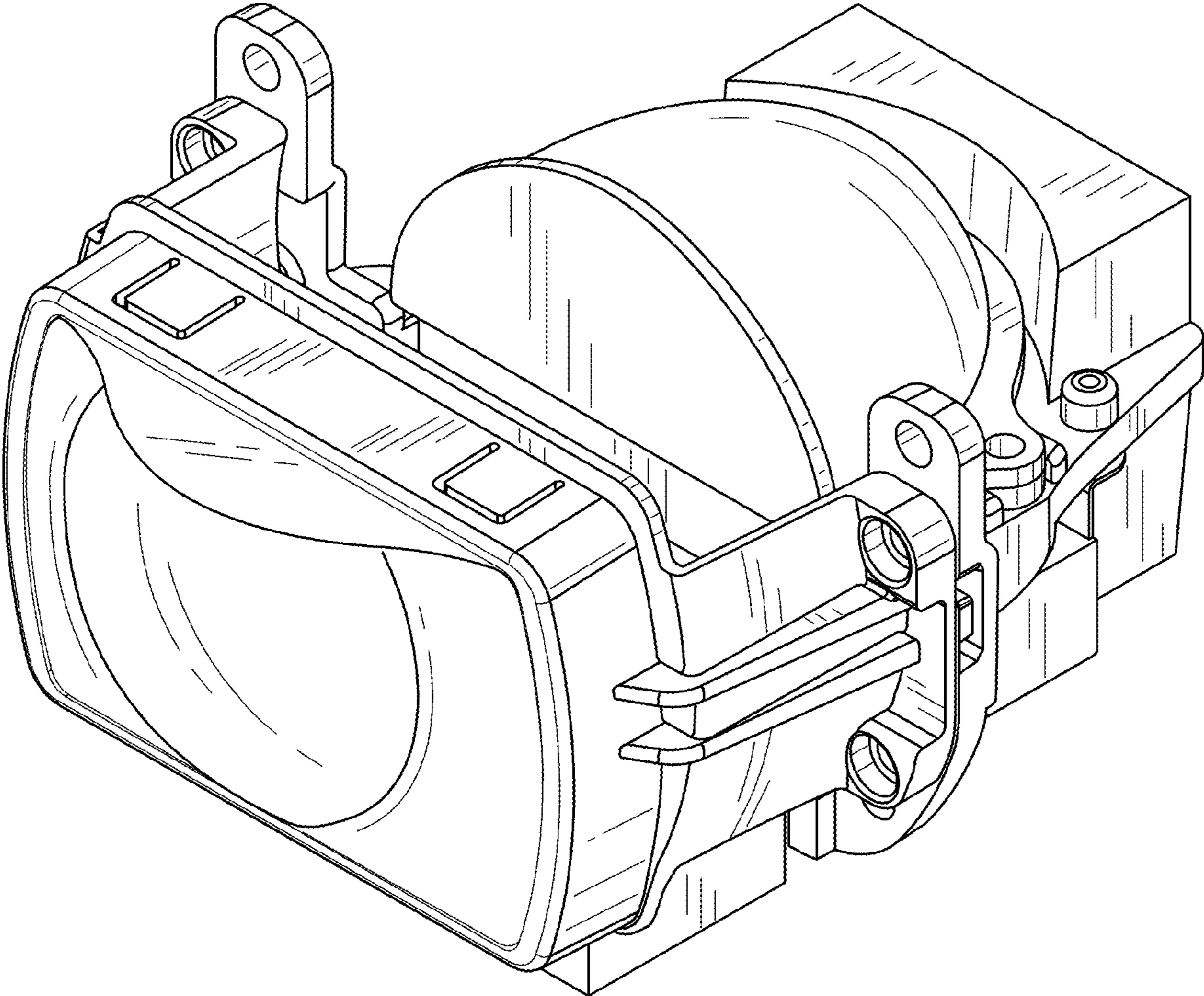


FIG. 1

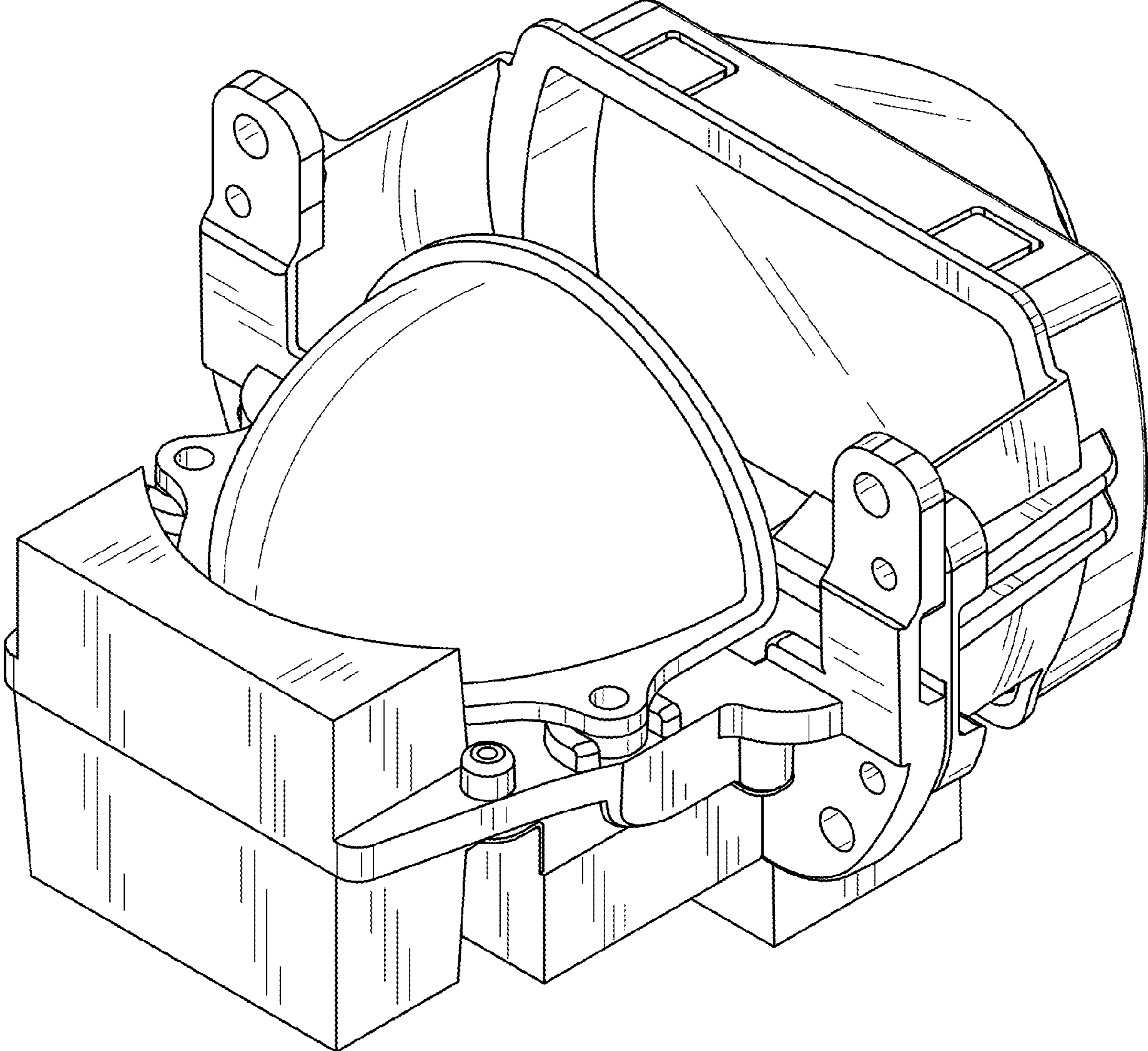


FIG. 2



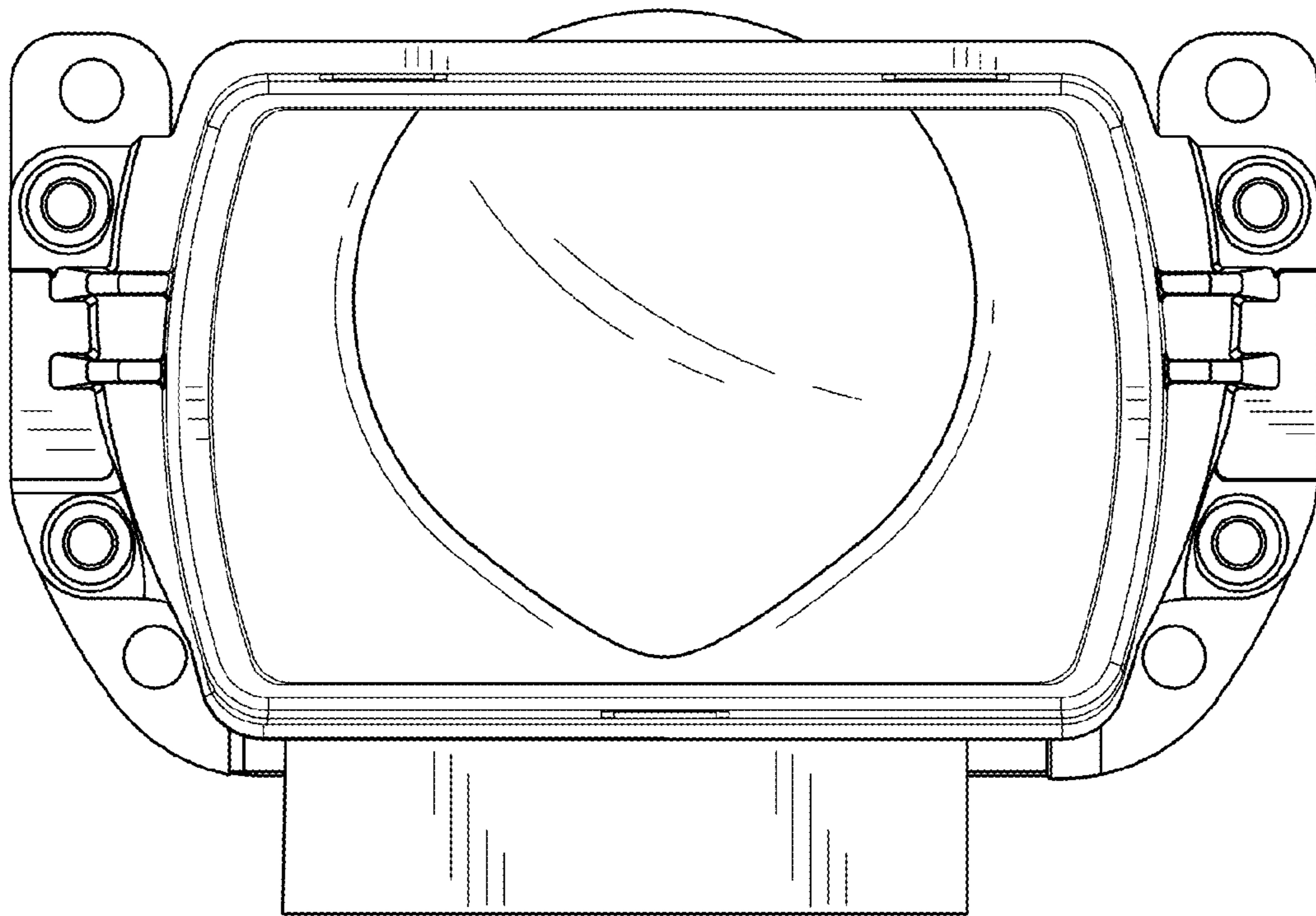


FIG. 3

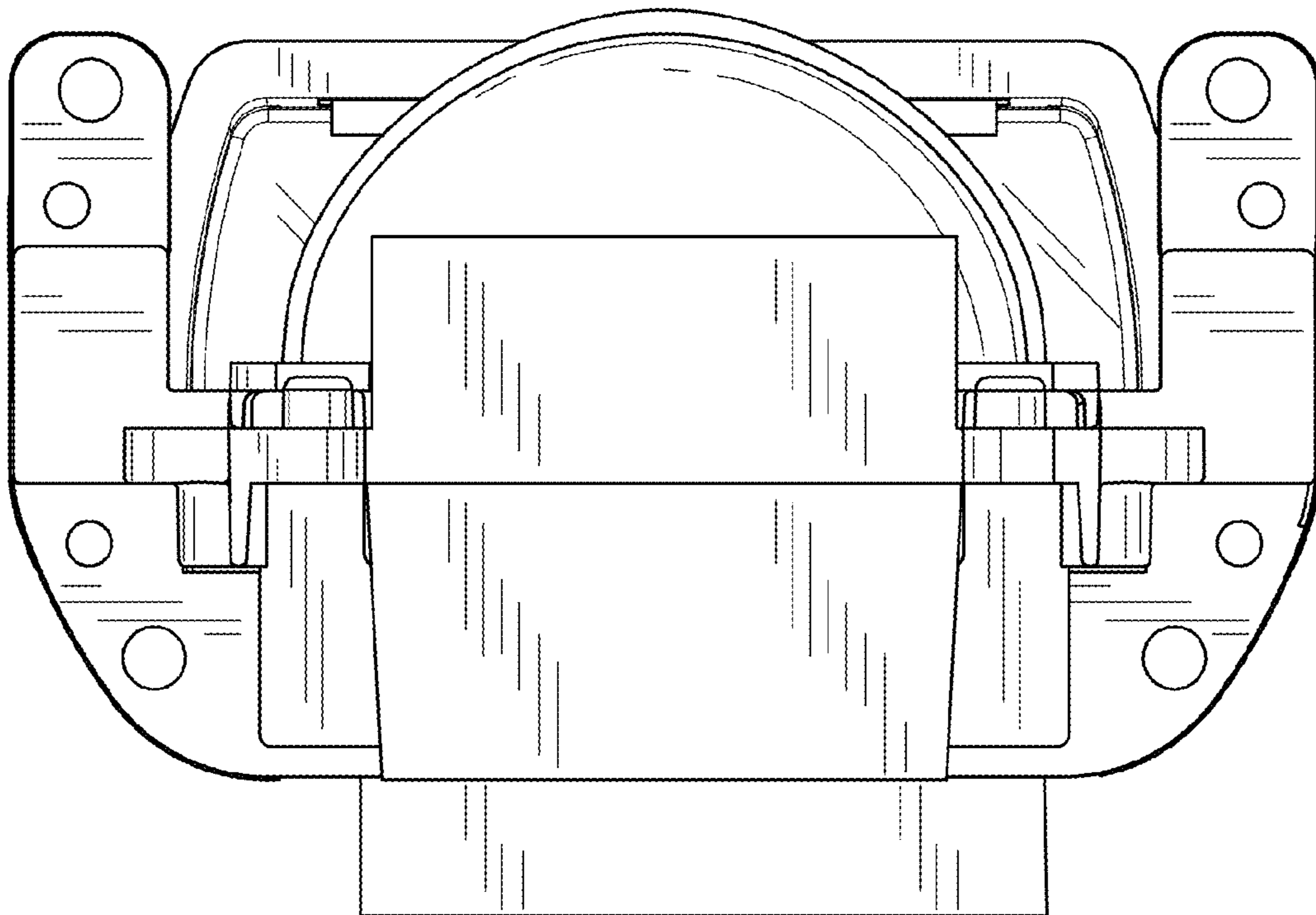


FIG. 4

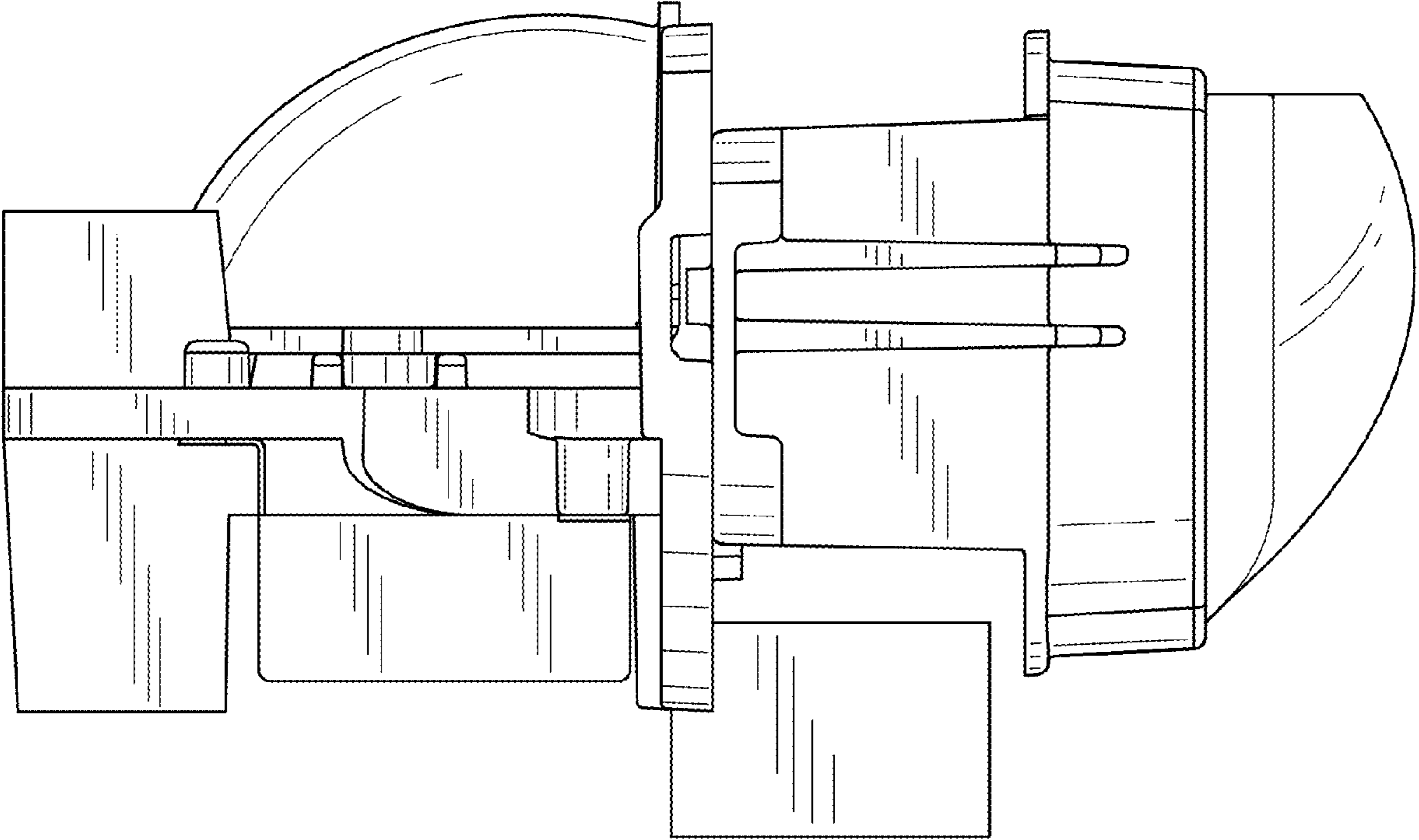


FIG. 5

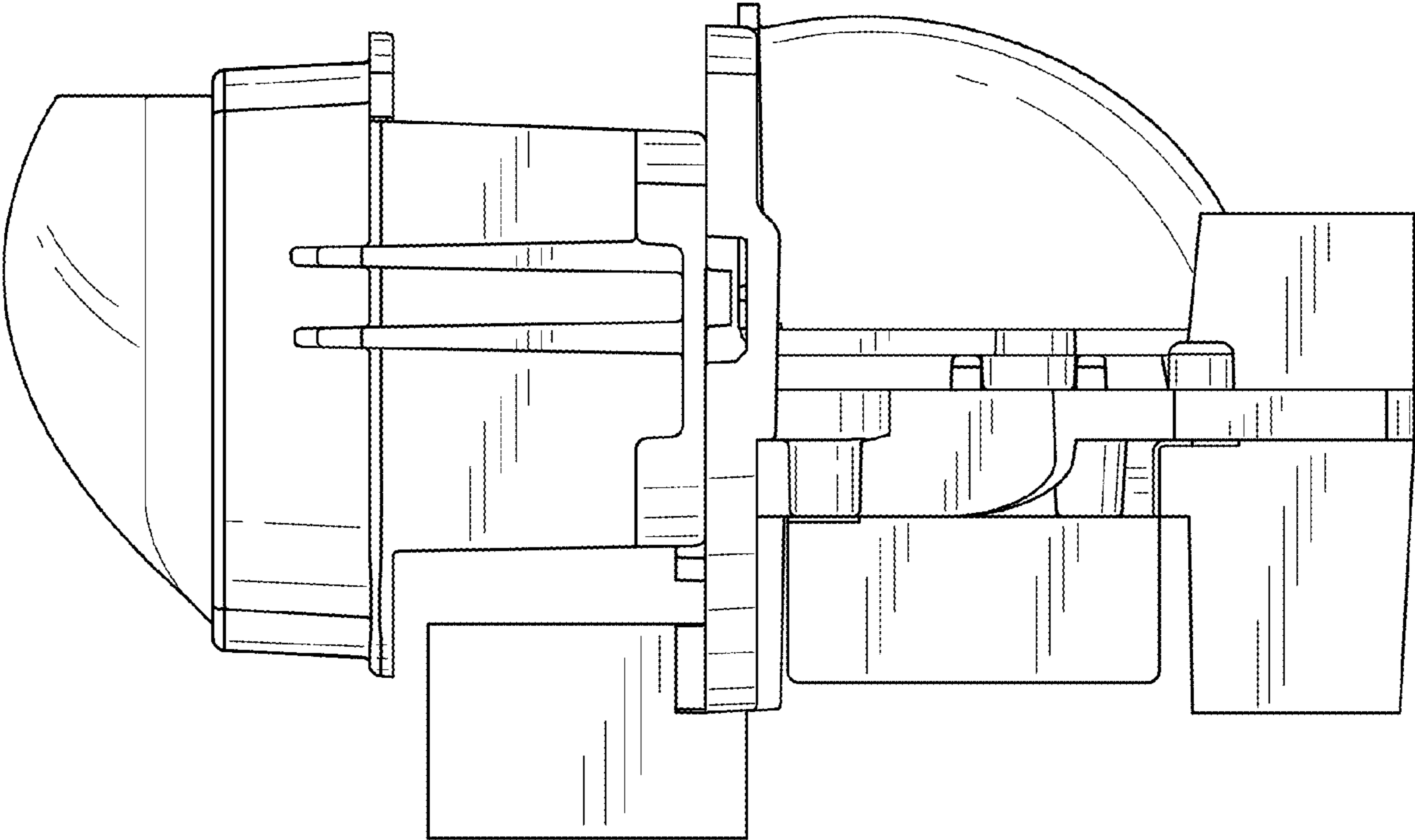


FIG. 6

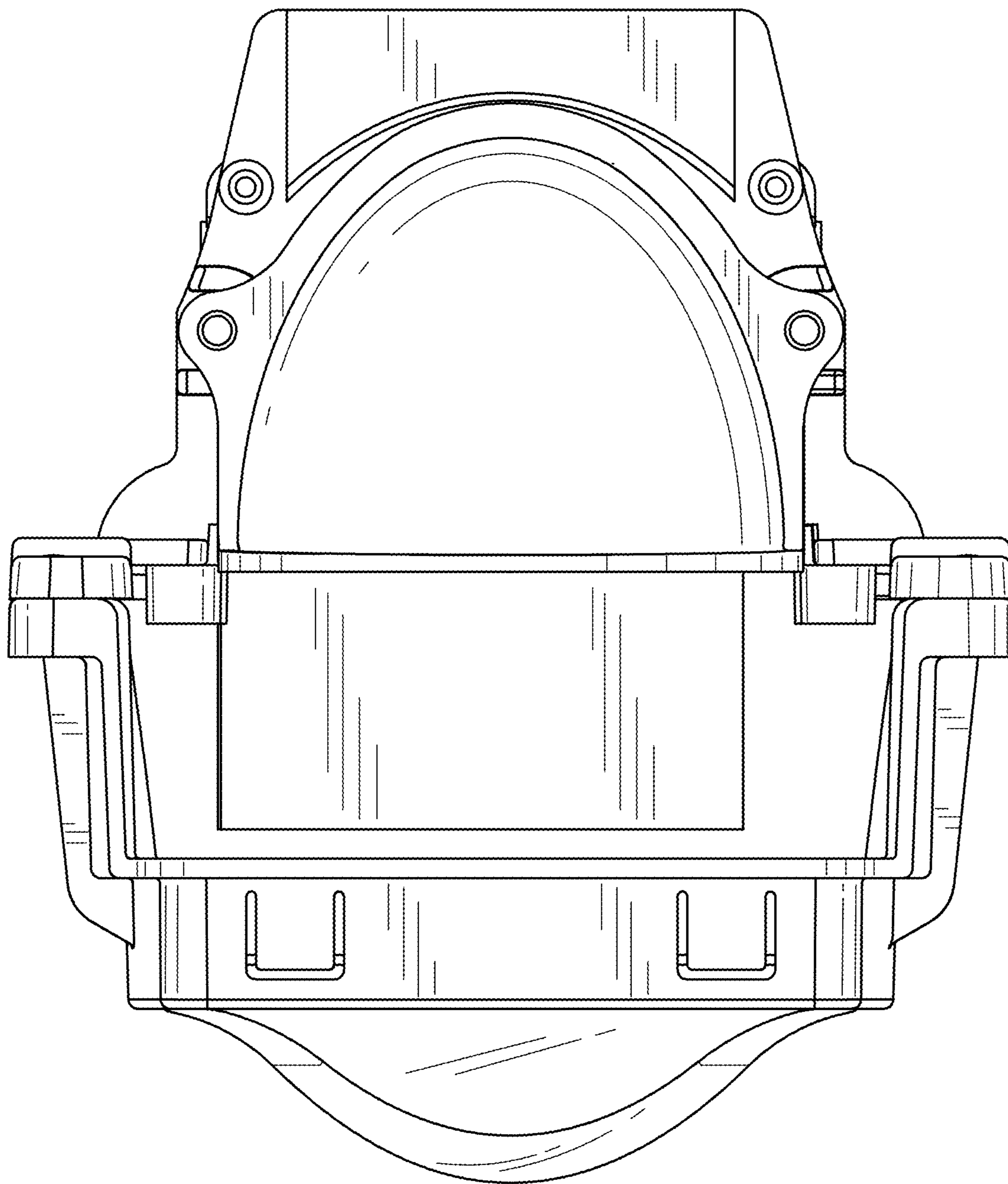


FIG. 7

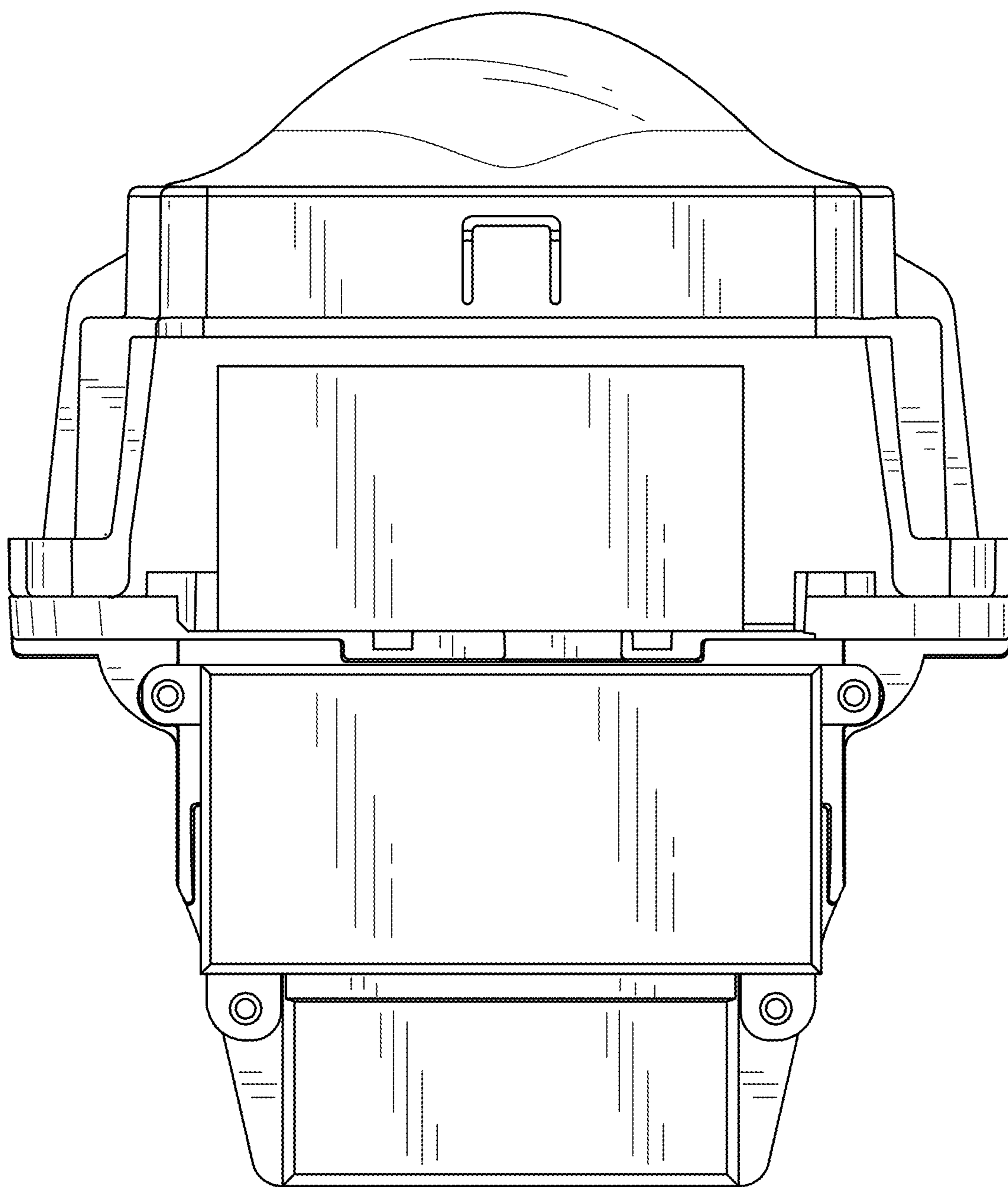


FIG. 8