



US00D886336S

(12) **United States Design Patent**
Wang

(10) **Patent No.:** **US D886,336 S**

(45) **Date of Patent:** **** Jun. 2, 2020**

(54) **STAGE LIGHT**

(71) Applicant: **Rongli Wang**, Henan (CN)

(72) Inventor: **Rongli Wang**, Henan (CN)

(**) Term: **15 Years**

(21) Appl. No.: **29/719,193**

(22) Filed: **Jan. 1, 2020**

(51) **LOC (12) Cl.** **26-03**

(52) **U.S. Cl.**
USPC **D26/24**

(58) **Field of Classification Search**
USPC D26/1, 24, 61, 63, 65, 85, 92
CPC F21V 21/14; F21V 15/01; F21V 14/02;
F21V 21/30; F21V 21/00; F21V 14/00;
F21S 8/00; F21S 8/003; F21S 8/043;
F21Y 2105/001

See application file for complete search history.

(56) **References Cited**

U.S. PATENT DOCUMENTS

D364,001 S 11/1995 Lieberman et al.
D390,993 S * 2/1998 Crawford D26/63

D425,232 S 5/2000 Chang
D542,957 S 5/2007 Chang
D575,891 S 8/2008 Calleja
D613,885 S 4/2010 Lodhie
D672,900 S 12/2012 Gailly et al.
D695,435 S 12/2013 Pedersen
D743,077 S * 11/2015 Eustace D26/63
D808,070 S 1/2018 Kjaergaard et al.
D816,873 S * 5/2018 Suzuki D26/24

* cited by examiner

Primary Examiner — Brian N. Vinson

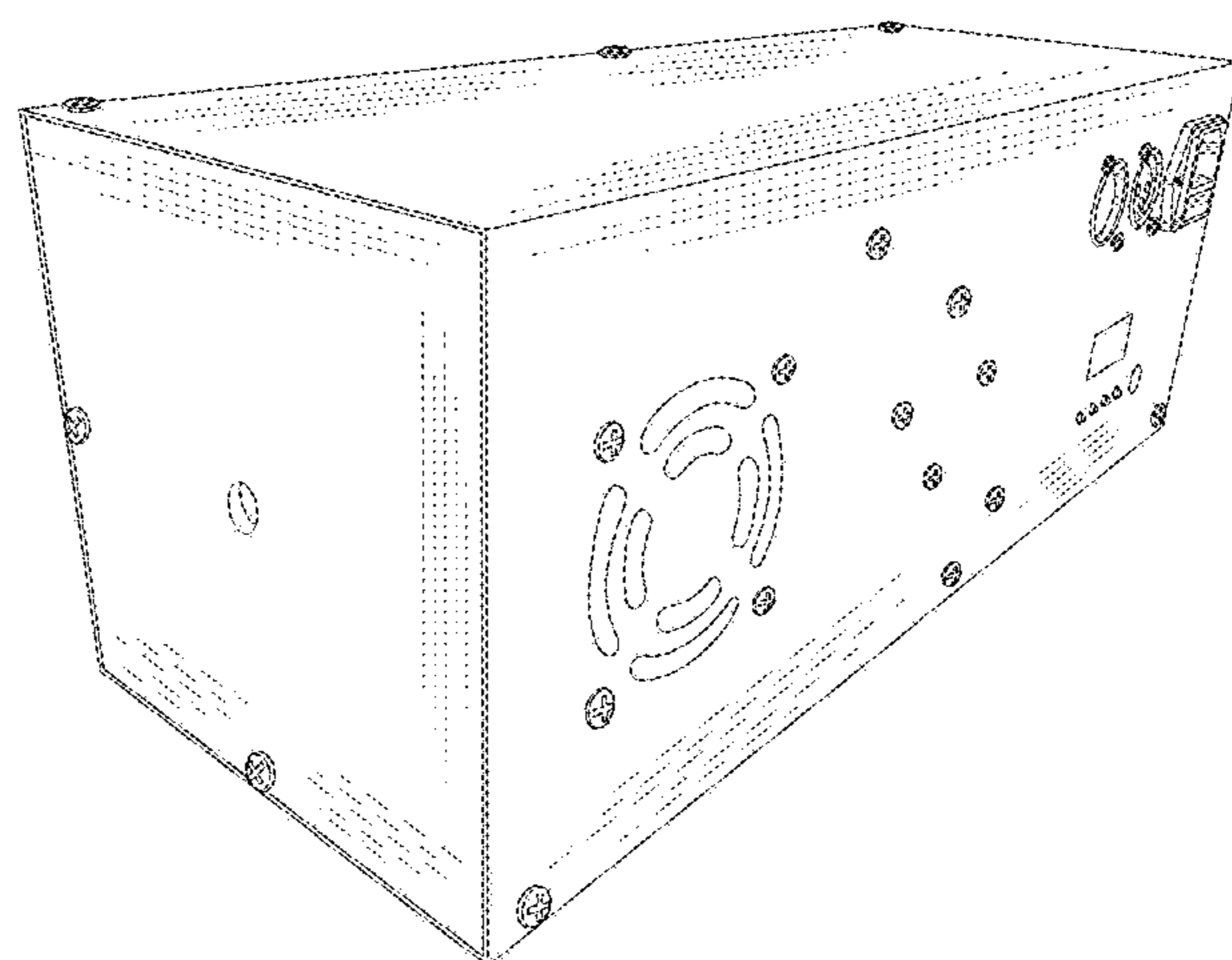
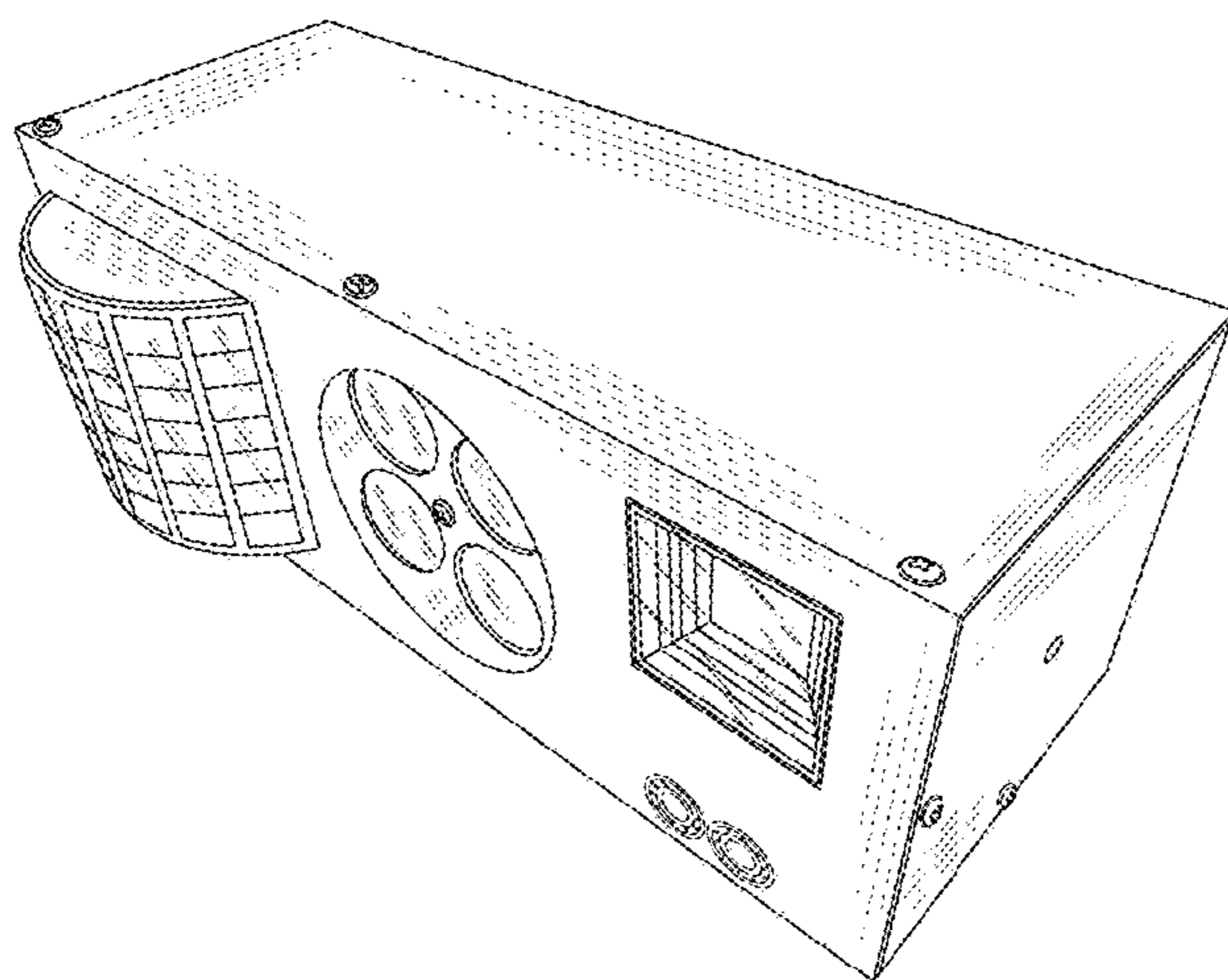
(57) **CLAIM**

I claim the ornamental design for a stage light, as shown and described.

DESCRIPTION

FIG. 1 is a front elevational view of a stage light showing my new design;
FIG. 2 is a rear elevational view thereof;
FIG. 3 is a left side elevational view thereof;
FIG. 4 is a right side elevational view thereof;
FIG. 5 is a top plan view thereof;
FIG. 6 is a bottom plan view thereof;
FIG. 7 is a perspective view thereof; and,
FIG. 8 is another perspective view thereof.

1 Claim, 8 Drawing Sheets



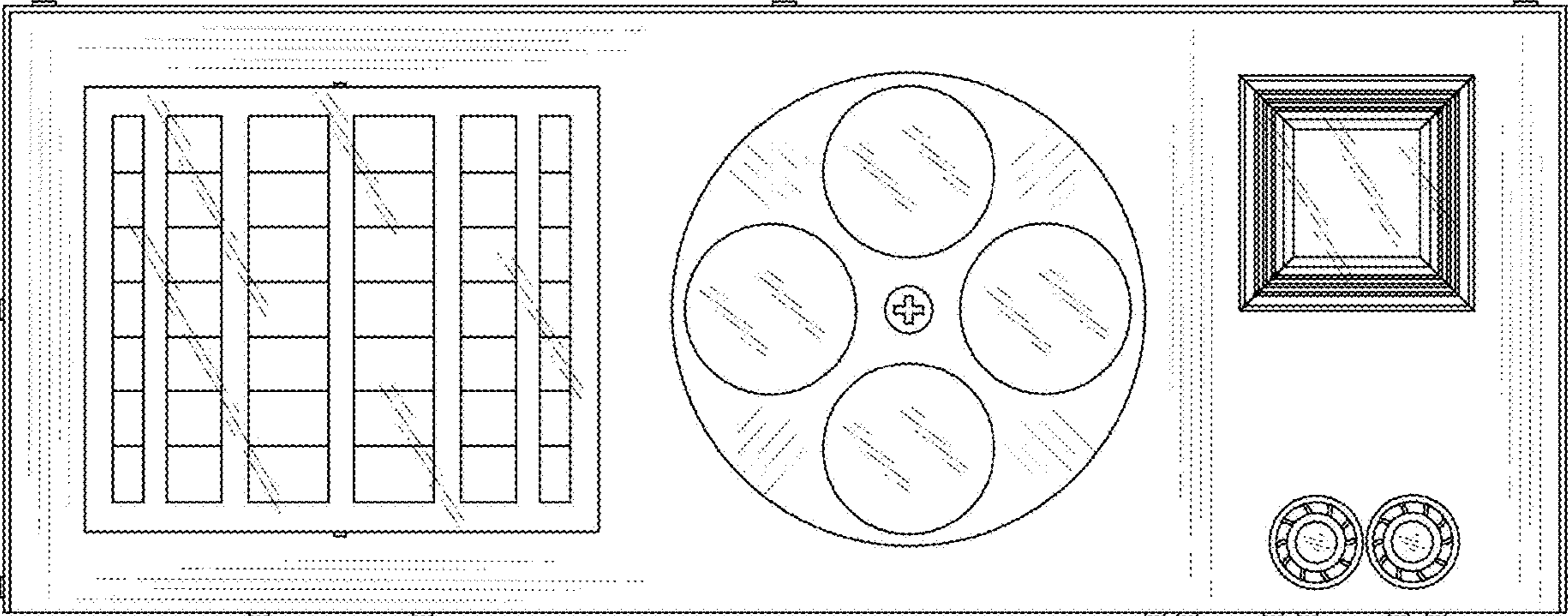


FIG.1

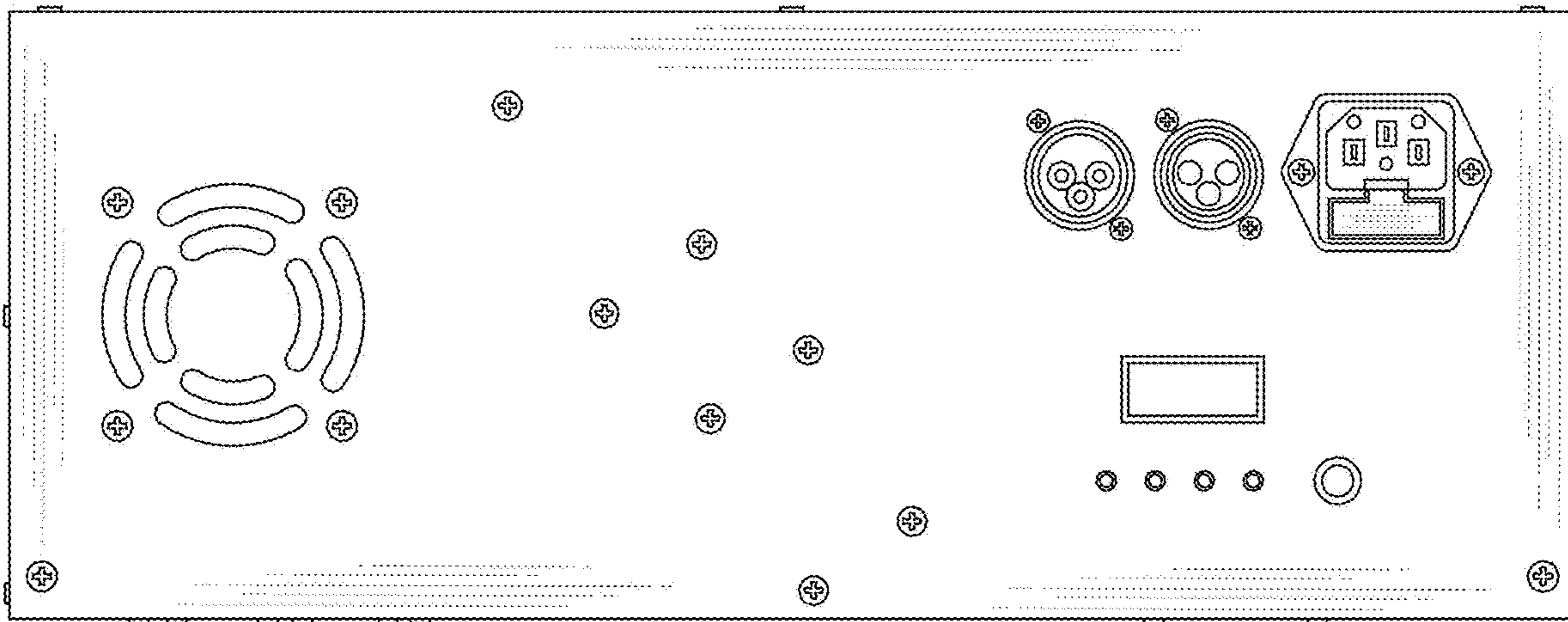


FIG.2

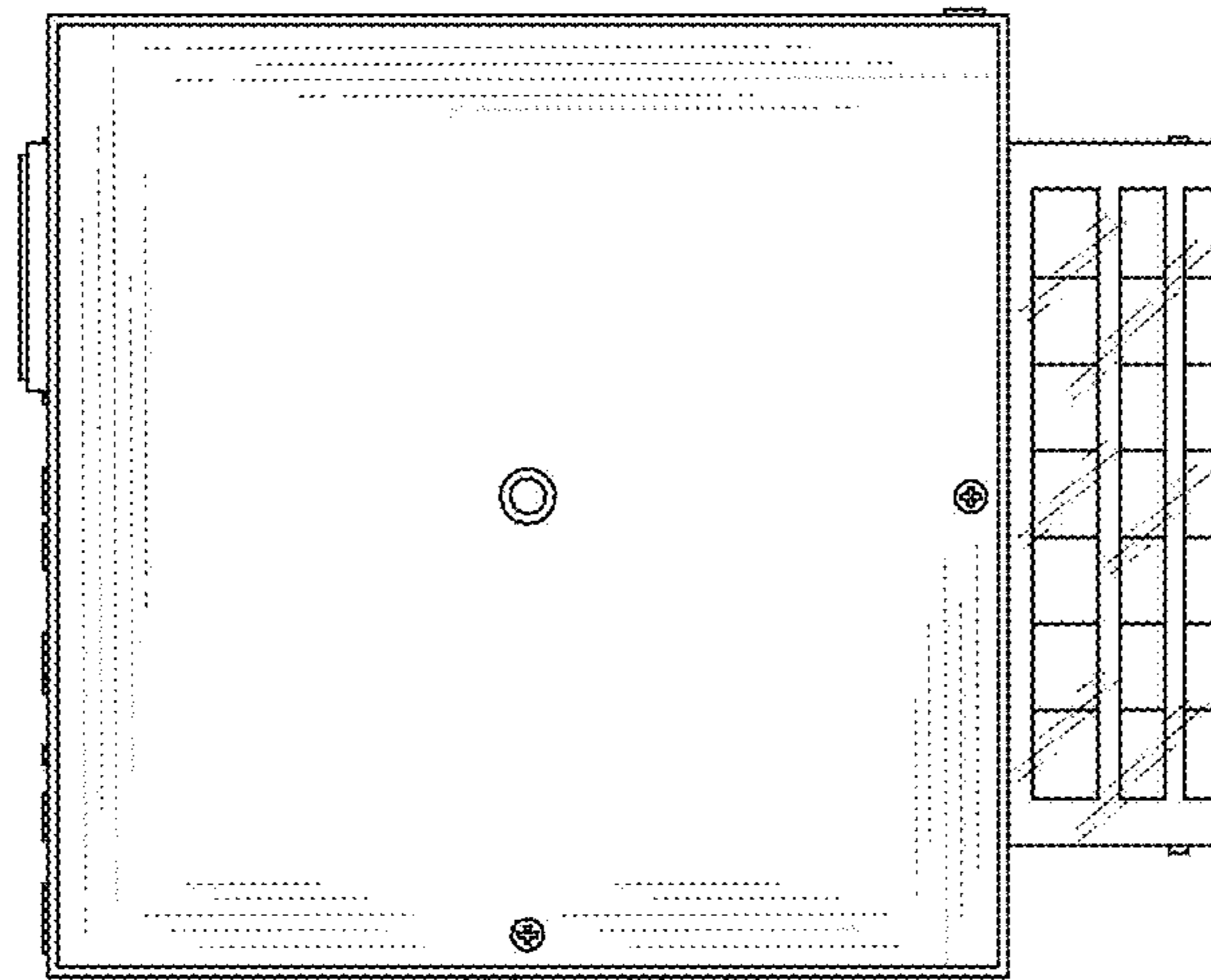


FIG.3

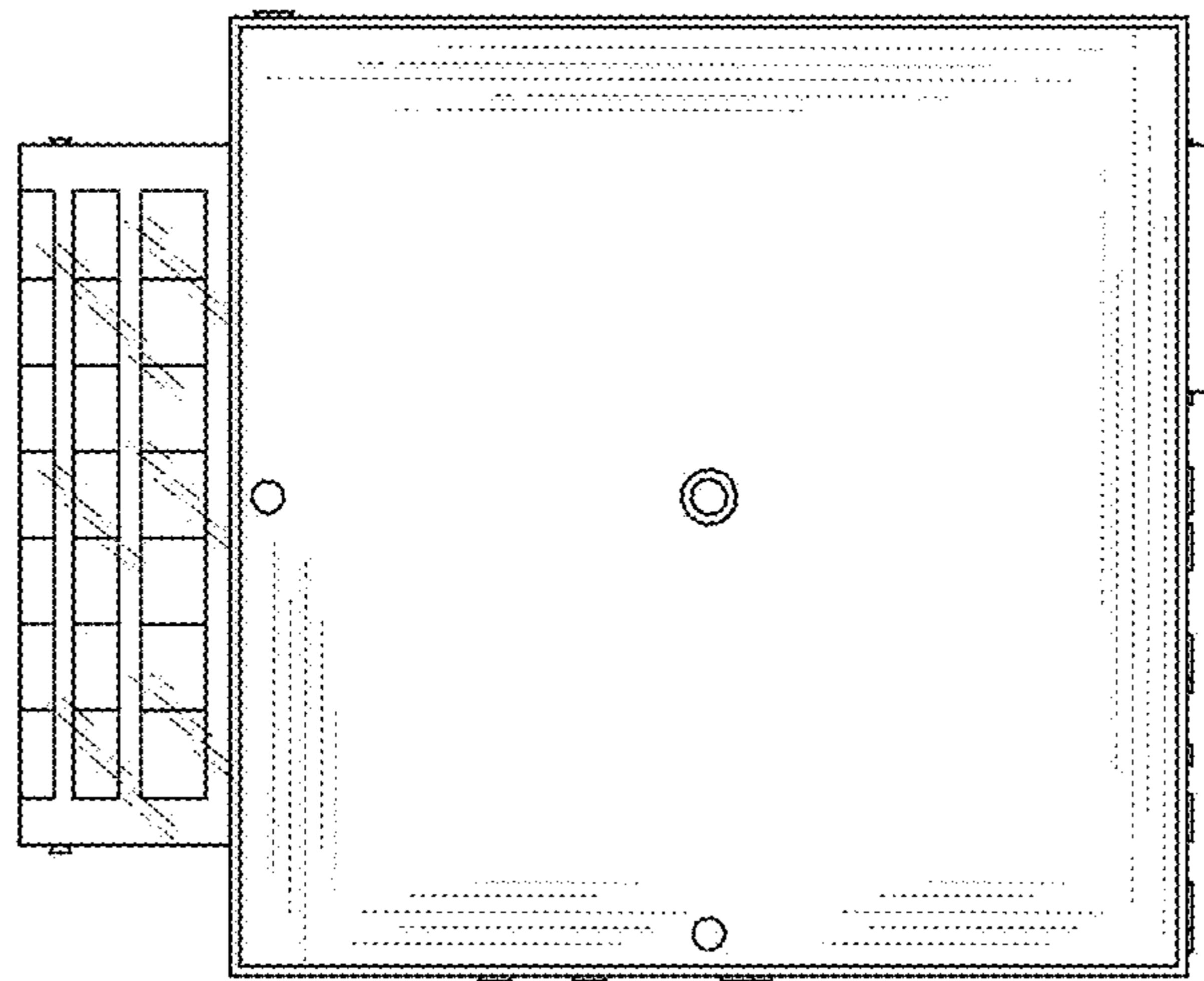


FIG.4

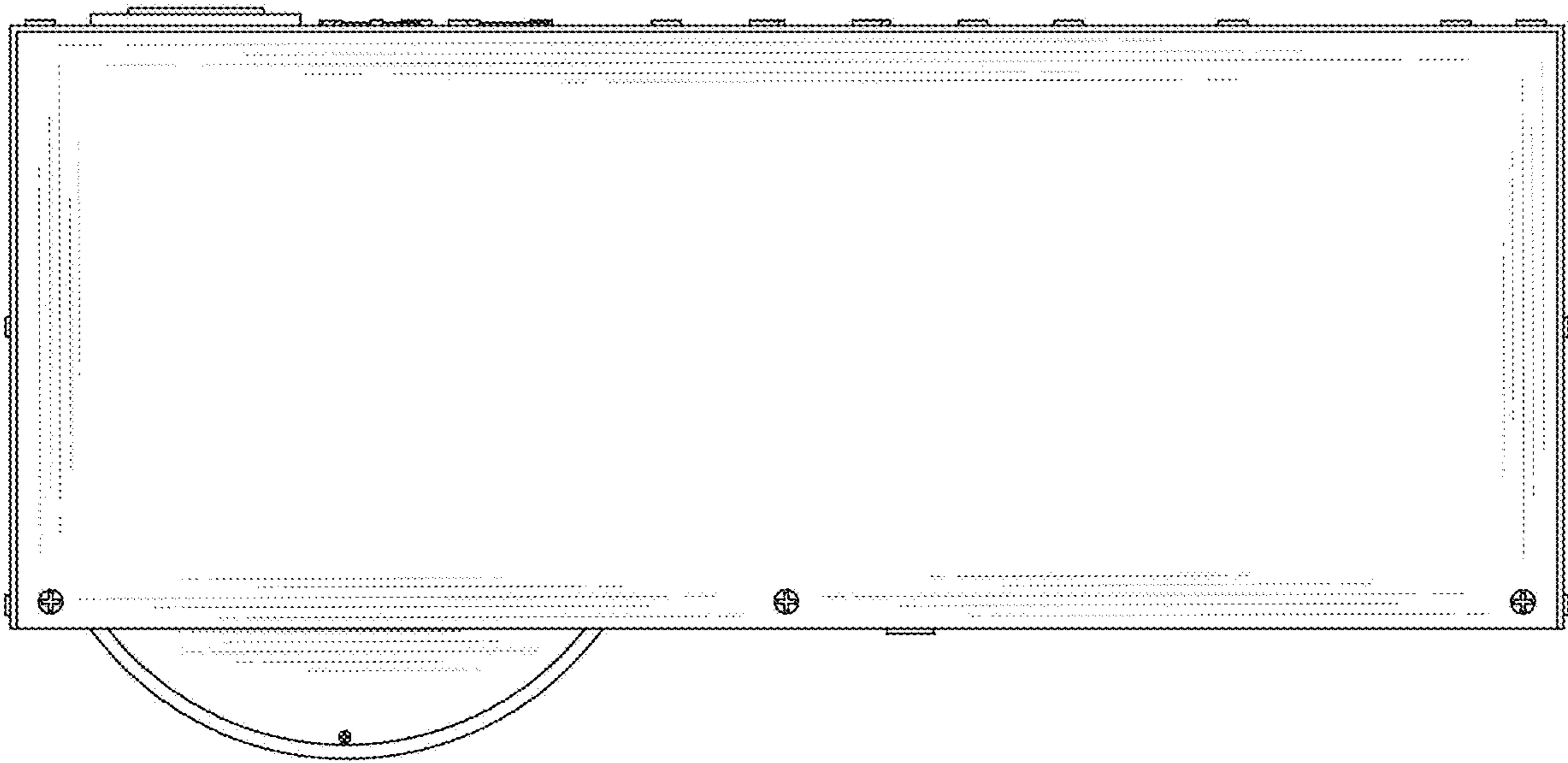


FIG.5

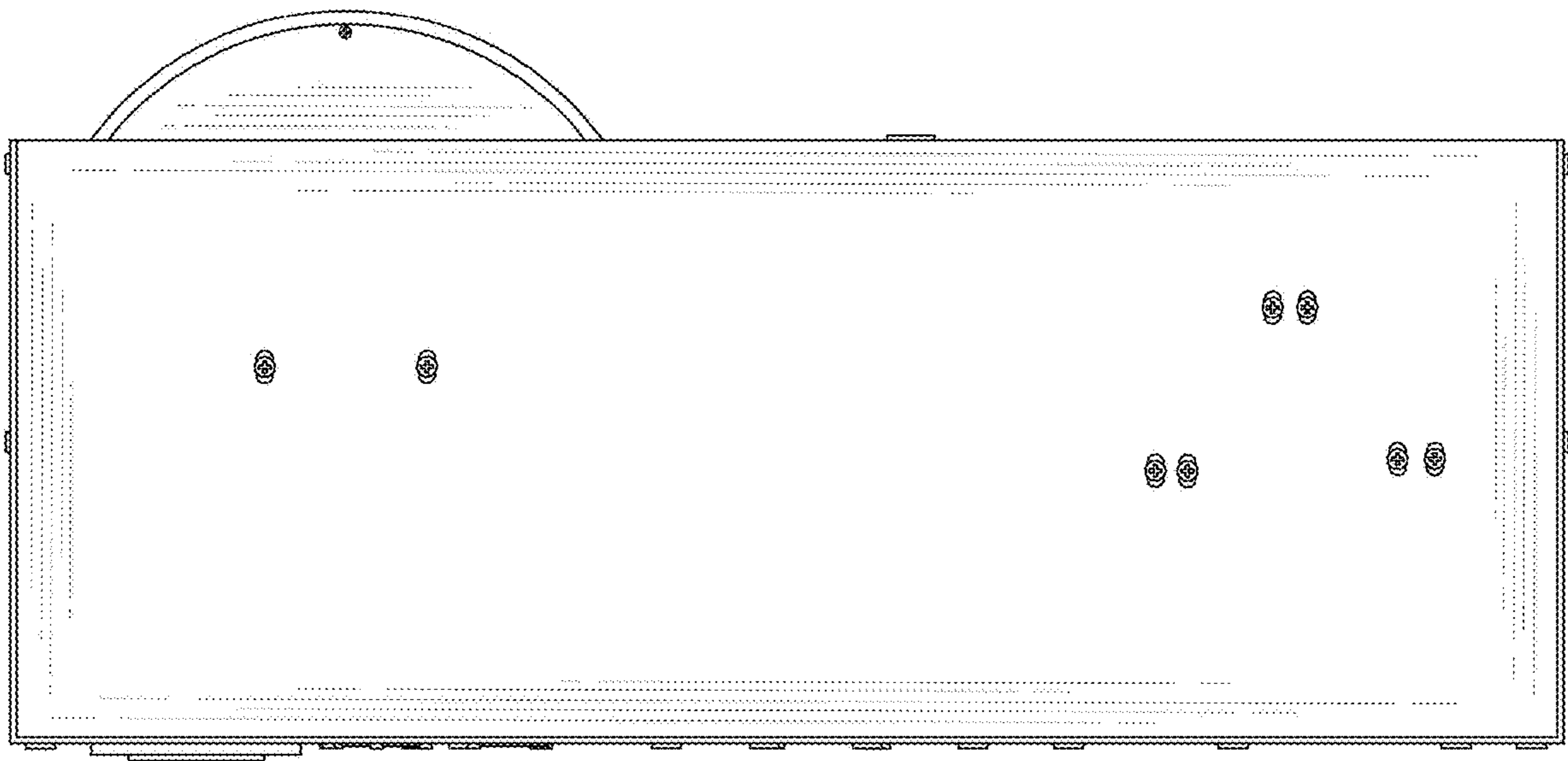


FIG.6

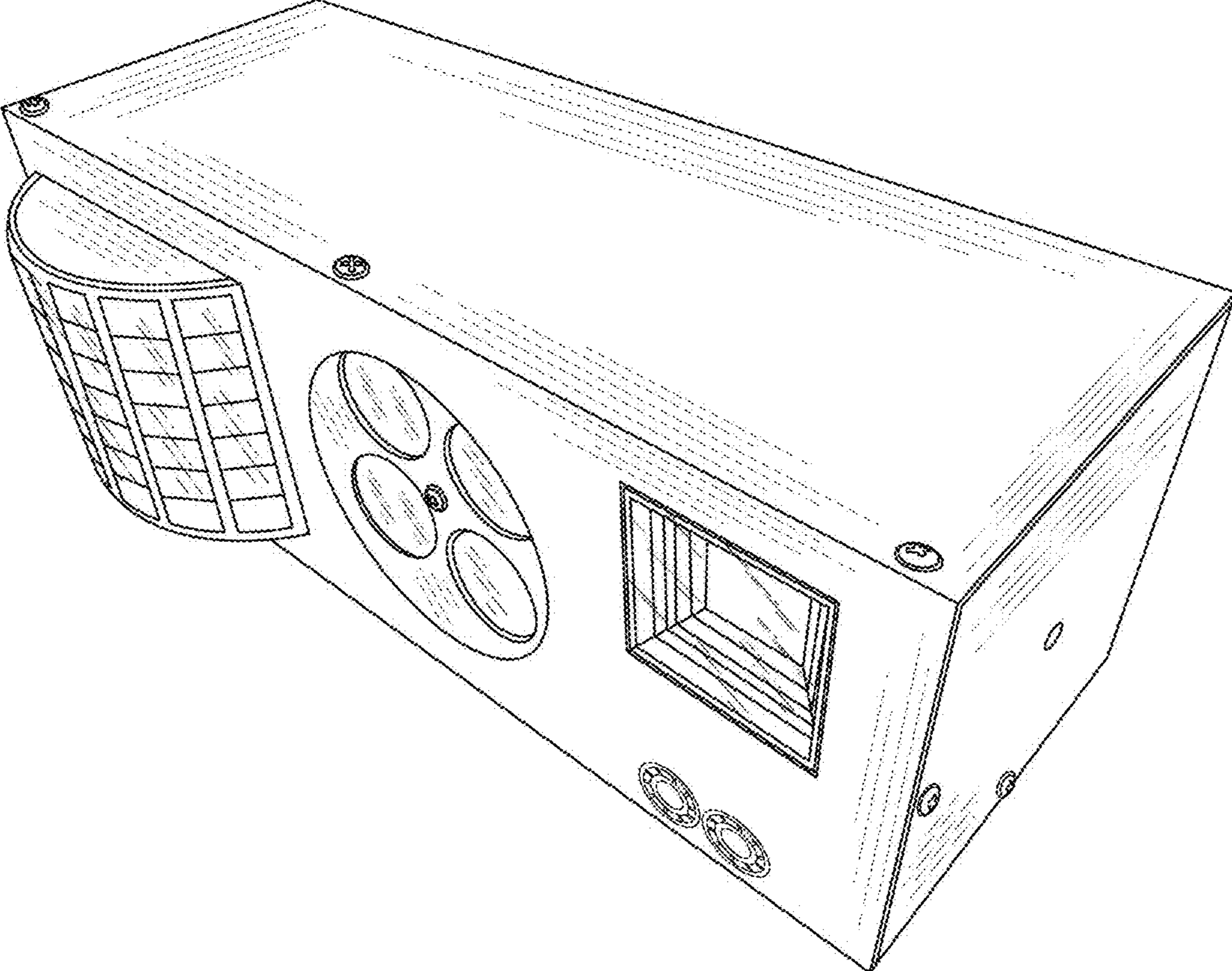


FIG.7

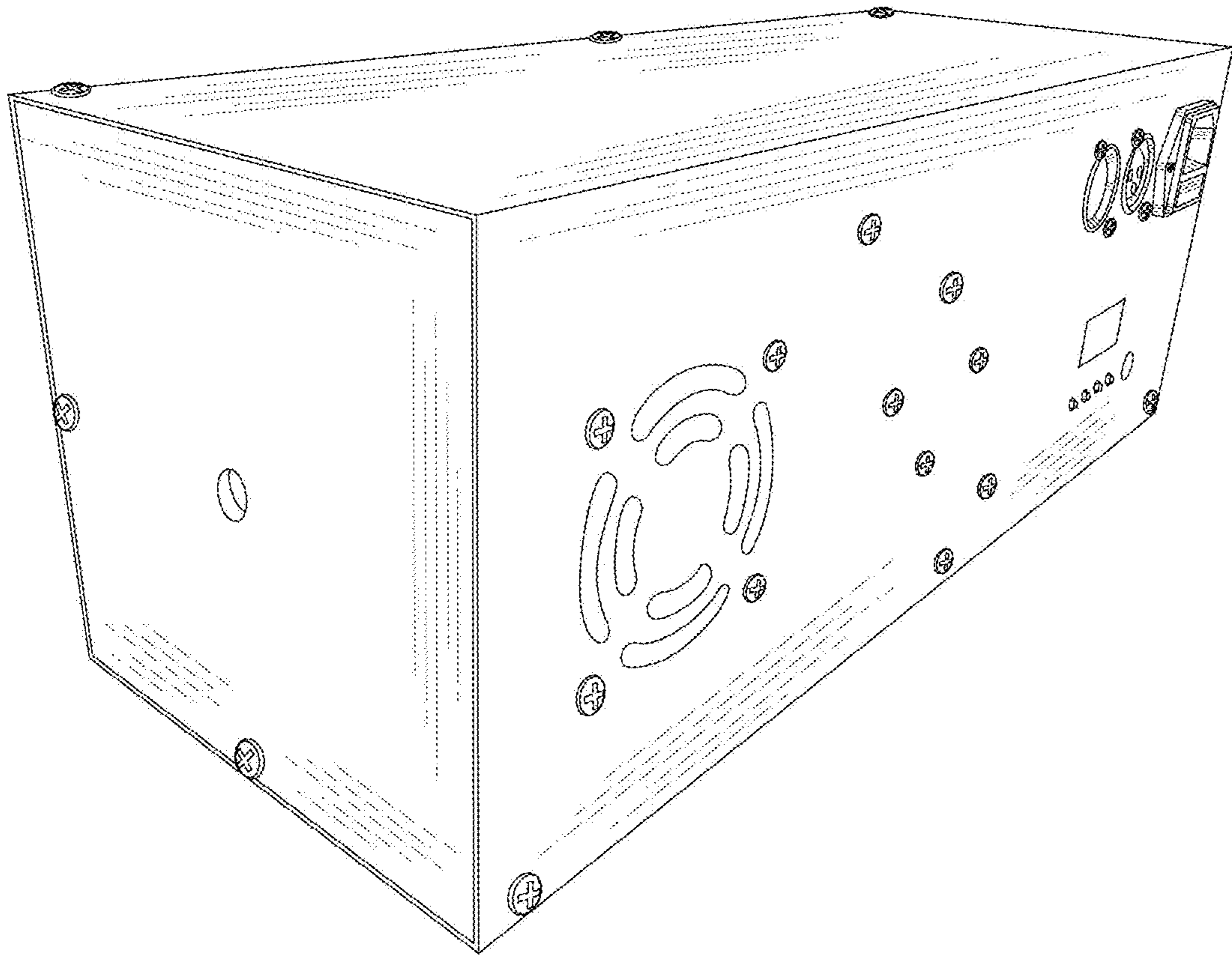


FIG.8