



US00D886335S

(12) **United States Design Patent** (10) **Patent No.:** **US D886,335 S**
Zhu (45) **Date of Patent:** **** Jun. 2, 2020**

(54) **LIGHT FIXTURE**
(71) Applicant: **WSD LED INC**, Dallas, TX (US)
(72) Inventor: **Changyong Zhu**, Shenzhen (CN)
(**) Term: **15 Years**
(21) Appl. No.: **29/646,971**
(22) Filed: **May 8, 2018**
(51) **LOC (12) Cl.** **26-03**
(52) **U.S. Cl.**
USPC **D26/24**
(58) **Field of Classification Search**
USPC D26/1, 24, 36, 40, 72, 81, 83, 118, 123,
D26/124, 128, 137; D10/104.1, 114.1,
D10/114.2, 106.1; D24/187
CPC F21V 1/00; F21V 1/02; F21V 1/04; F21V
1/14; F21V 3/00; F21V 3/02; F21V 5/00;
F21V 5/002; F21V 15/00; F21V 15/01;
F21V 15/02; F21V 21/02; F21K 9/23;
F21K 9/232; F21K 9/237; F21S 9/022;
F21S 9/024; F21S 6/00; F21S 6/002;
F21S 8/02; F21S 8/03; F21S 8/04; F21S
8/003; F21S 8/033; F21S 8/036
See application file for complete search history.

(56) **References Cited**
U.S. PATENT DOCUMENTS
D247,665 S * 4/1978 Larsen D10/106.1
D426,250 S * 6/2000 Lefkowitz 396/427
D481,822 S * 11/2003 Wang D26/72
D549,385 S * 8/2007 Lissoni D26/89
D583,967 S * 12/2008 Leunis D26/24
D585,580 S * 1/2009 Riffel D26/72
D633,231 S * 2/2011 Morrison D26/24

D647,227 S * 10/2011 Kaule D26/24
D678,100 S * 3/2013 Hwang D10/114.1
D684,269 S * 6/2013 Wang D24/209
D727,552 S * 4/2015 Stolte D26/89
D736,449 S * 8/2015 Getty D26/110
D742,041 S * 10/2015 Garcia D26/110
D759,877 S * 6/2016 Hewitt D26/89
D764,079 S * 8/2016 Wu D26/24
9,541,270 B2 * 1/2017 Van Winkle F21V 3/0625
D786,112 S * 5/2017 Kucala D10/106.1
D803,410 S * 11/2017 Im D24/187
D810,952 S * 2/2018 Hsu D24/200
D814,096 S * 3/2018 Hewitt D26/89
9,970,647 B2 * 5/2018 Kim F21K 9/00
2010/0172143 A1 * 7/2010 Cunius F21S 8/04
362/373
2017/0184260 A1 * 6/2017 Munoz Abogabir F21L 4/08

* cited by examiner

Primary Examiner — Wan Laymon
Assistant Examiner — Clint A Samuel

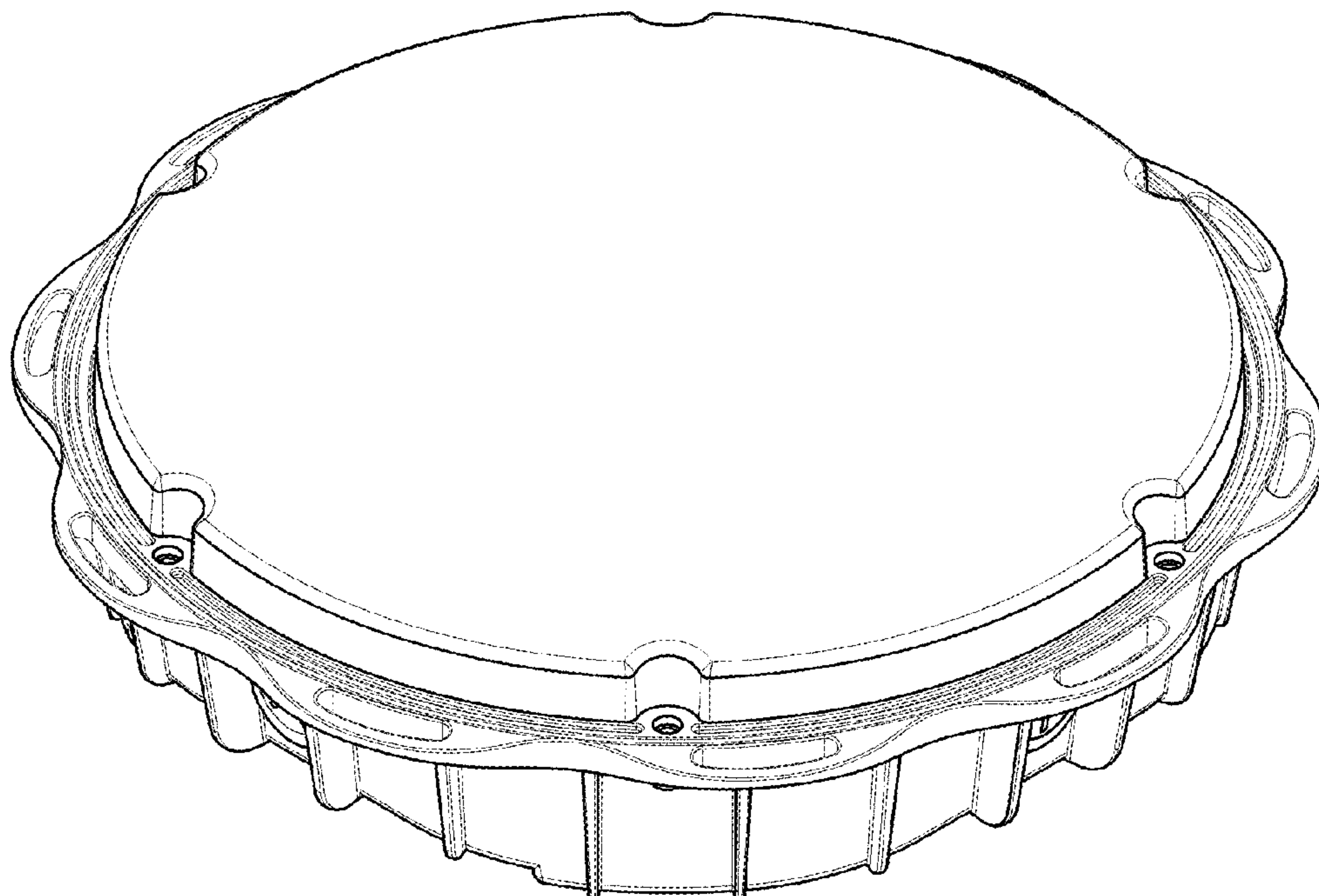
(57) **CLAIM**

The ornamental design for a light fixture, as shown and described.

DESCRIPTION

FIG. 1 is a bottom perspective view of a lighting fixture in accordance with the new design;
FIG. 2 is a top perspective view thereof;
FIG. 3 is a front elevational view thereof;
FIG. 4 is a back elevational view thereof;
FIG. 5 is a left side elevational view thereof;
FIG. 6 is a right side elevational view thereof;
FIG. 7 is a front side elevational view thereof; and,
FIG. 8 is a back side elevational view thereof.

1 Claim, 6 Drawing Sheets



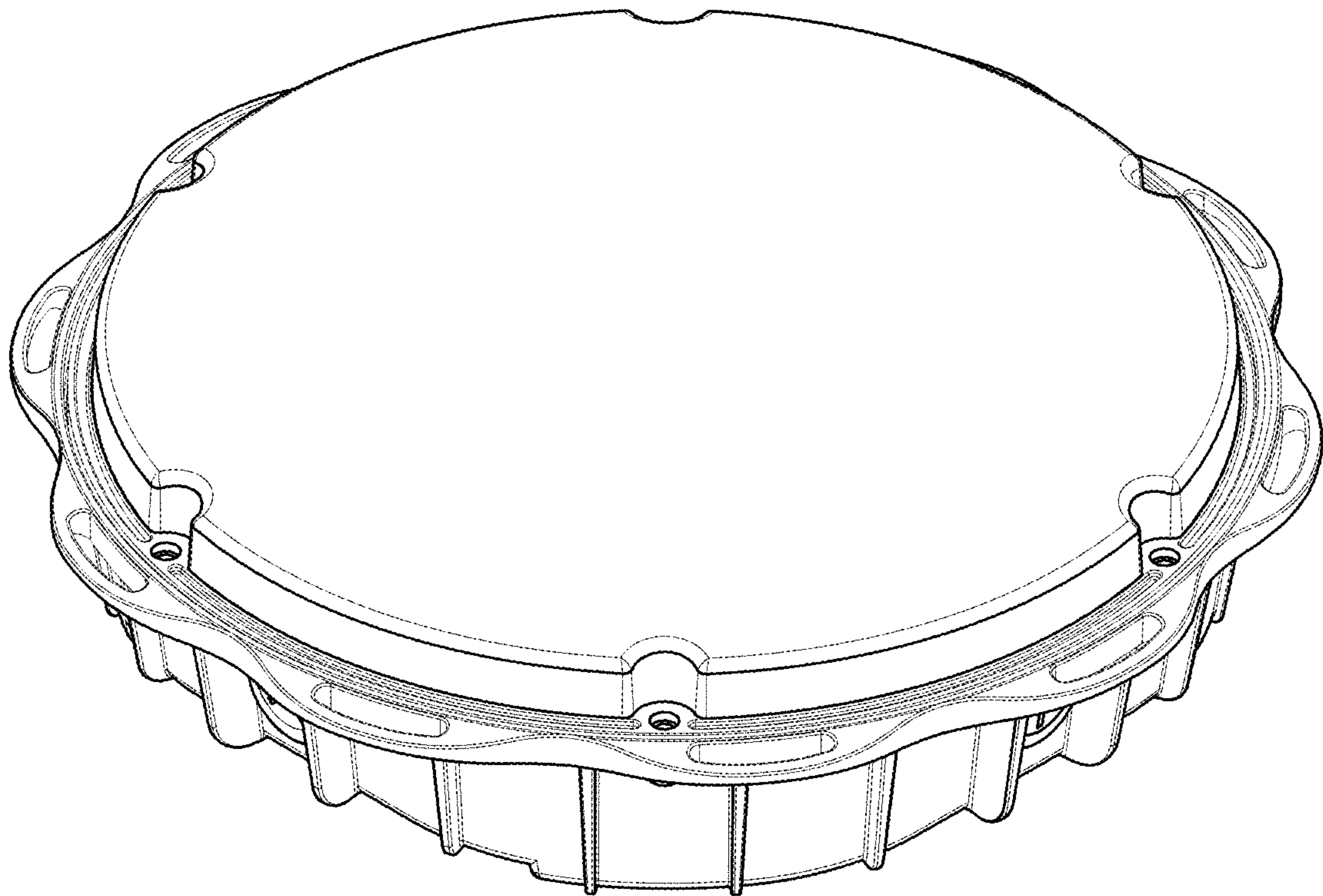


FIG. 1

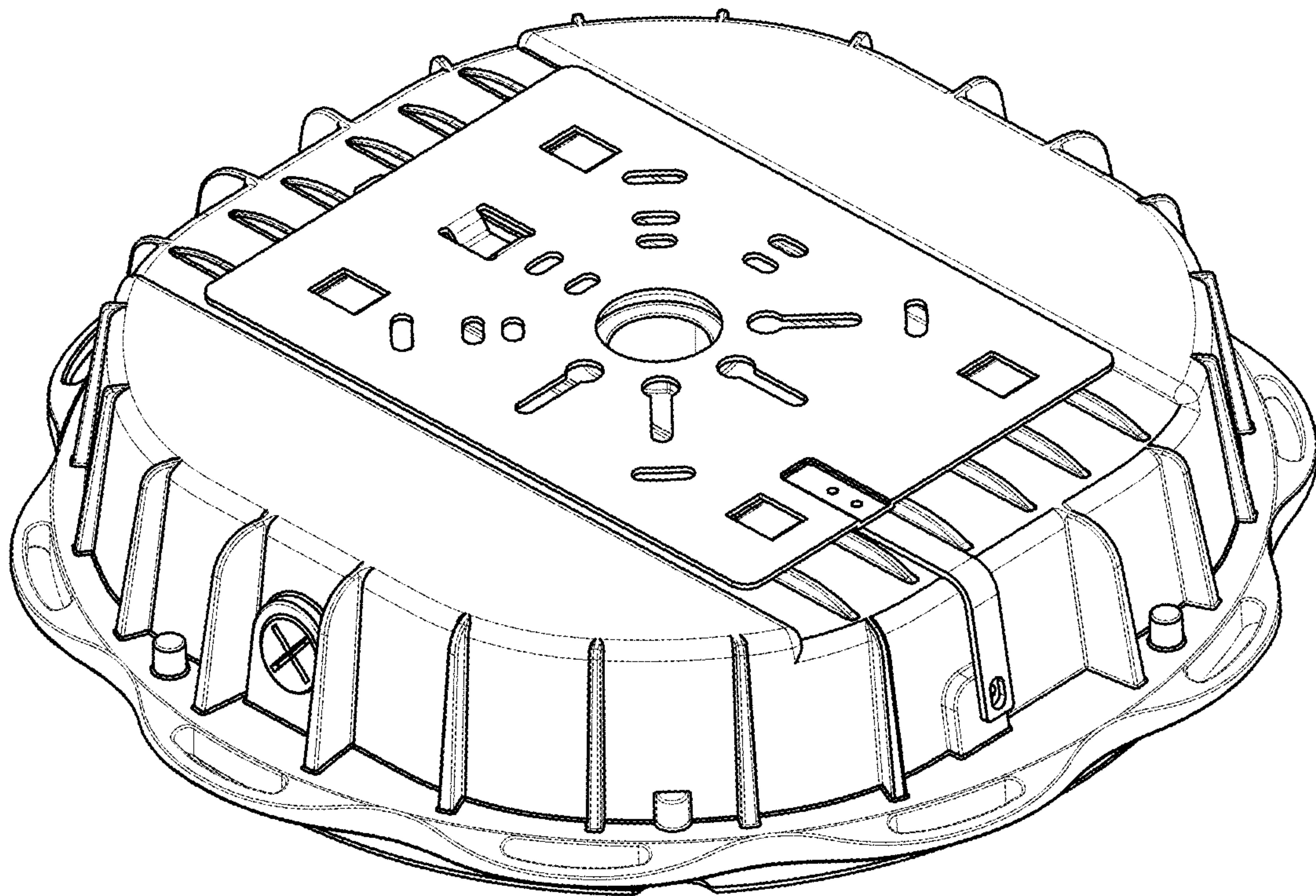


FIG. 2

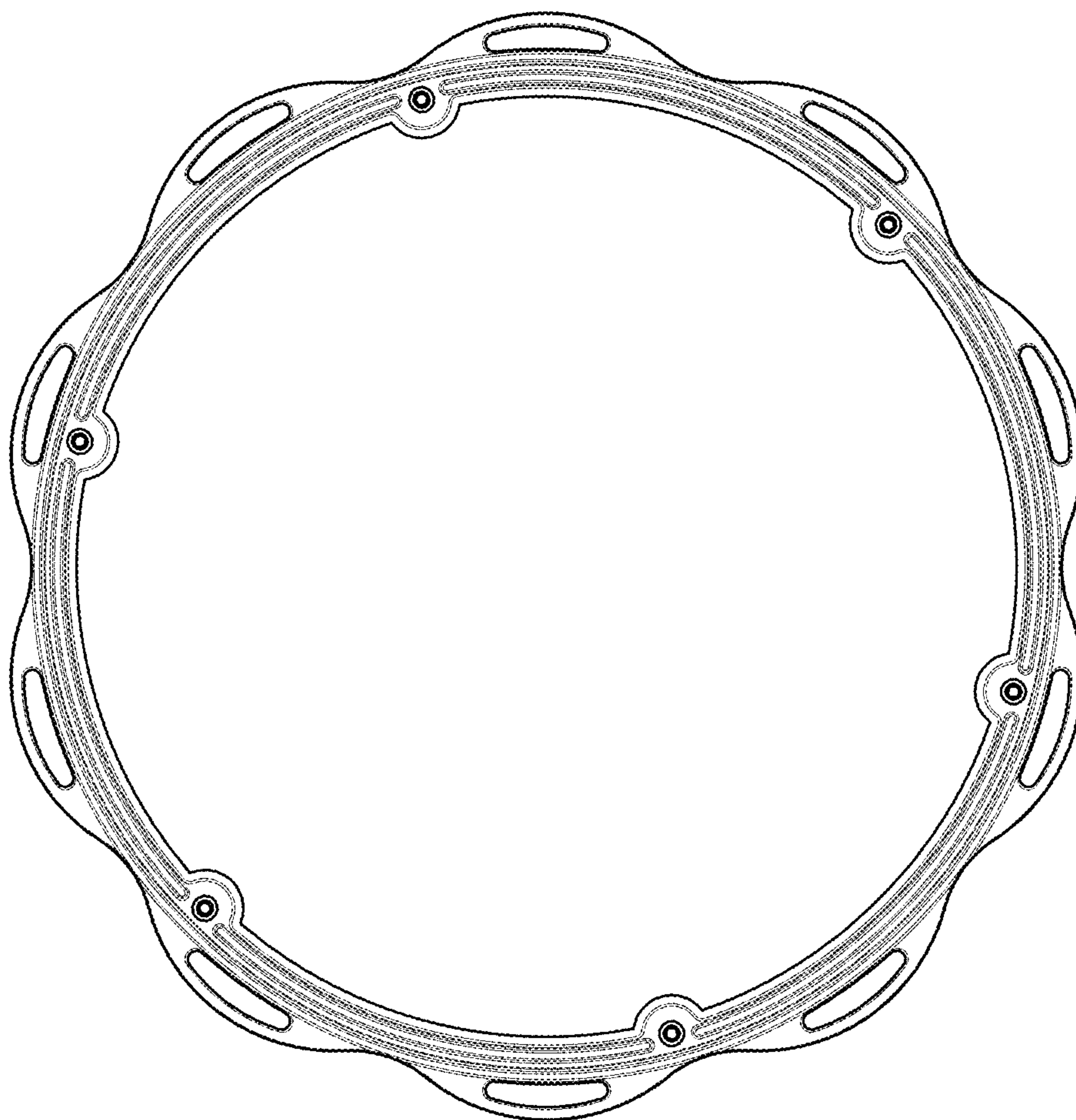


FIG. 3

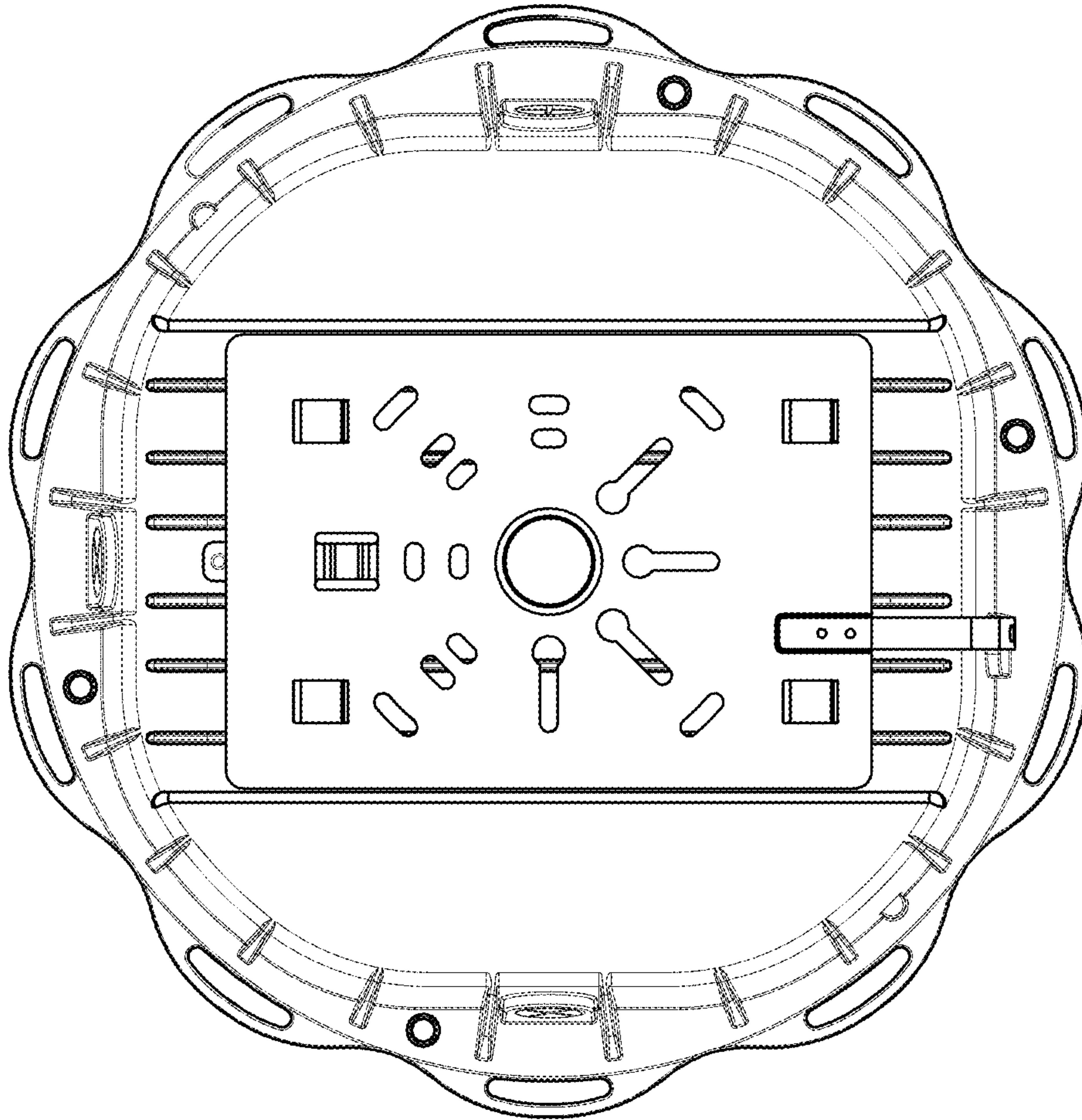


FIG. 4

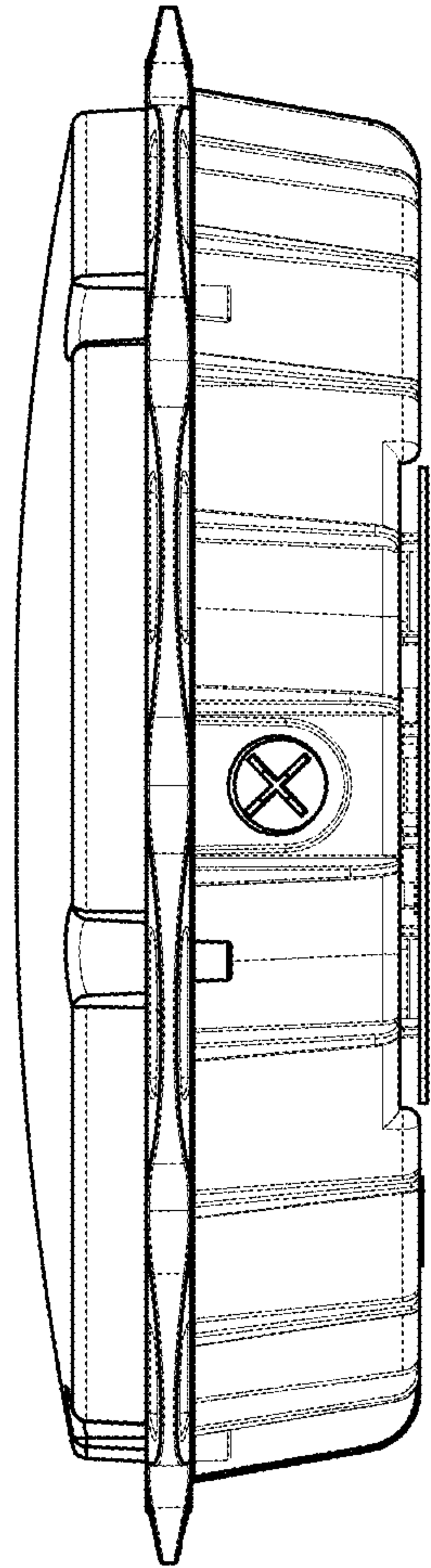


FIG. 5

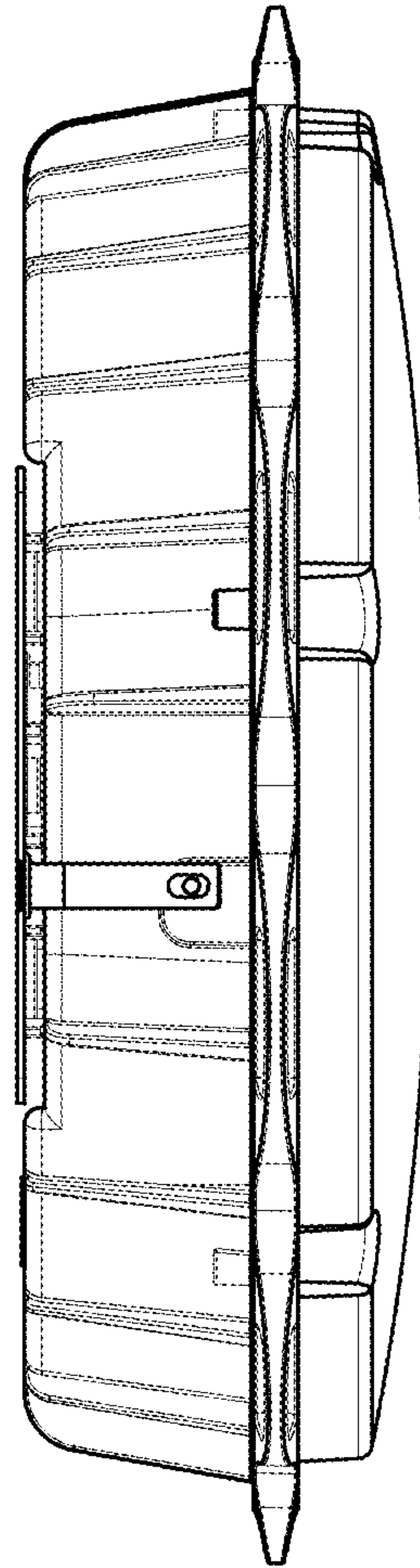


FIG. 6

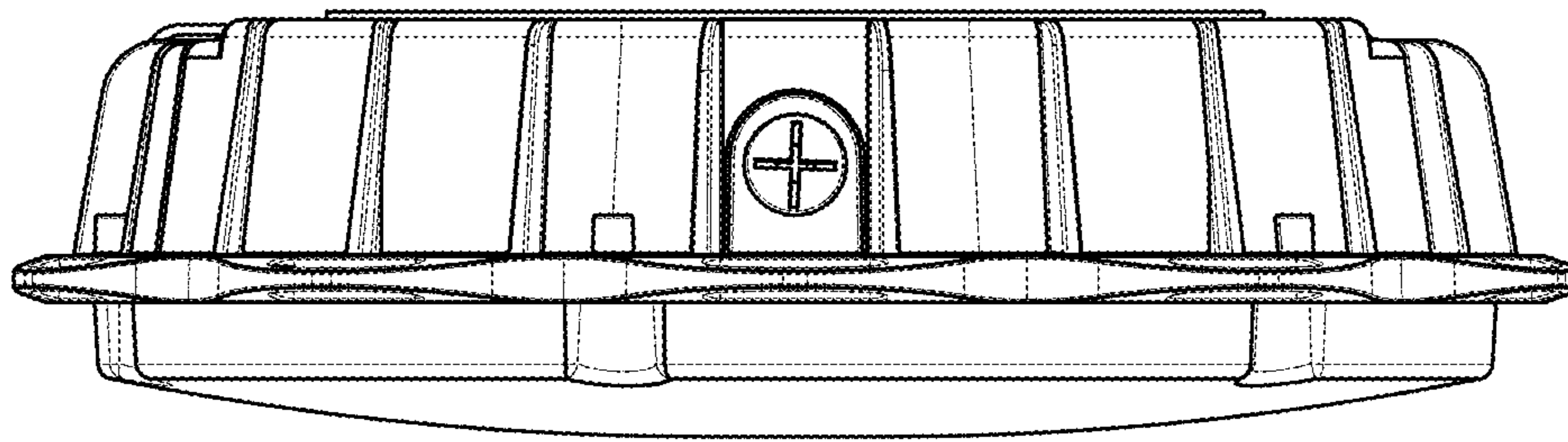


FIG. 7

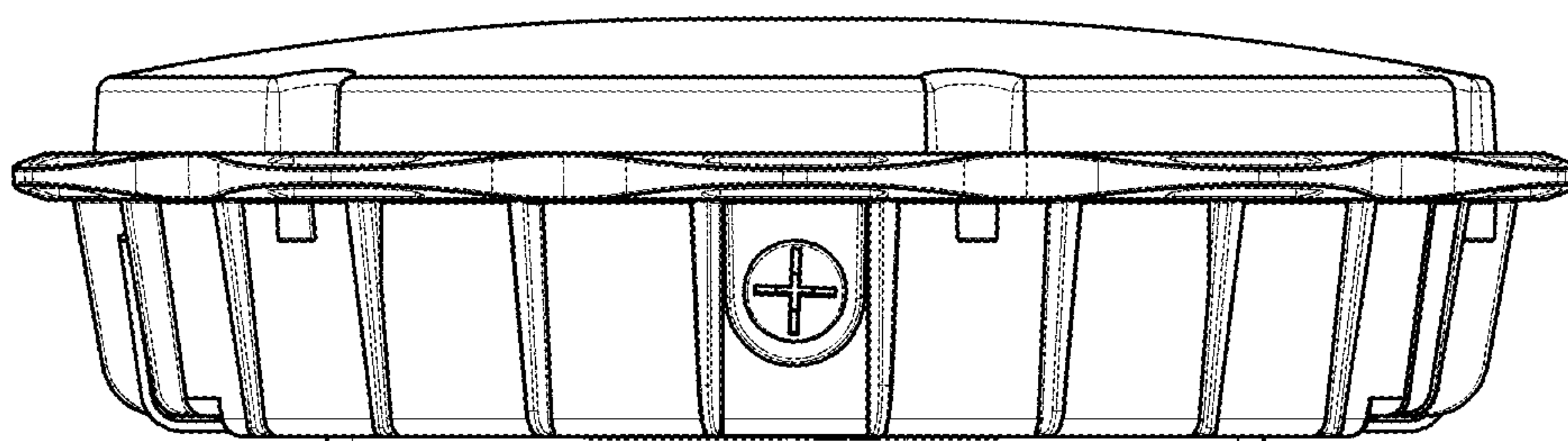


FIG. 8