



US00D886334S

(12) **United States Design Patent** (10) **Patent No.:** **US D886,334 S**
Zhao (45) **Date of Patent:** **** Jun. 2, 2020**

(54) **LIGHT BULB**

(71) Applicant: **Changzhou Fuxing Electrical Appliance Co., Ltd.**, Changzhou (CN)

(72) Inventor: **Huanxing Zhao**, Changzhou (CN)

(73) Assignee: **CHANGZHOU FUXING ELECTRICAL APPLIANCE CO., LTD.**, Changzhou, Jiangsu (CN)

(**) Term: **15 Years**

(21) Appl. No.: **29/645,705**

(22) Filed: **Apr. 27, 2018**

(30) **Foreign Application Priority Data**

Nov. 15, 2017	(CN)	2017 3 0562762
Nov. 15, 2017	(CN)	2017 3 0562808
Nov. 15, 2017	(CN)	2017 3 0563134
Nov. 15, 2017	(CN)	2017 3 0563530
Nov. 15, 2017	(CN)	2017 3 0563535

(51) **LOC (12) Cl.** **26-04**

(52) **U.S. Cl.**
USPC **D26/2**

(58) **Field of Classification Search**
USPC D26/1-4
CPC H01R 5/00; H01R 13/46; H01R 13/514;
H01R 31/048; H01R 31/02; H01J 5/00;
H01J 5/16; H01J 1/02; H01J 15/00; H01J
5/48; H01J 5/50; H01J 19/54; F21V 5/00;
F21V 29/004; F21K 9/00; F21K 13/00

See application file for complete search history.

(56) **References Cited**

U.S. PATENT DOCUMENTS

D627,085	S	*	11/2010	Duan	D26/2
D629,929	S	*	12/2010	Chen	D26/2
D634,451	S	*	3/2011	de Visser	D26/2
D642,704	S	*	8/2011	Hagens	D26/2
D692,596	S	*	10/2013	Webb	D26/2

OTHER PUBLICATIONS

Restriction Requirement for U.S. Appl. No. 15/821,332 dated Mar. 27, 2018.

U.S. Appl. No. 15/821,332, filed Nov. 22, 2017, Huanxing Zhao, published date Apr. 5, 2018.

* cited by examiner

Primary Examiner — Marcus A Jackson

(74) *Attorney, Agent, or Firm* — Ladas & Parry, LLP

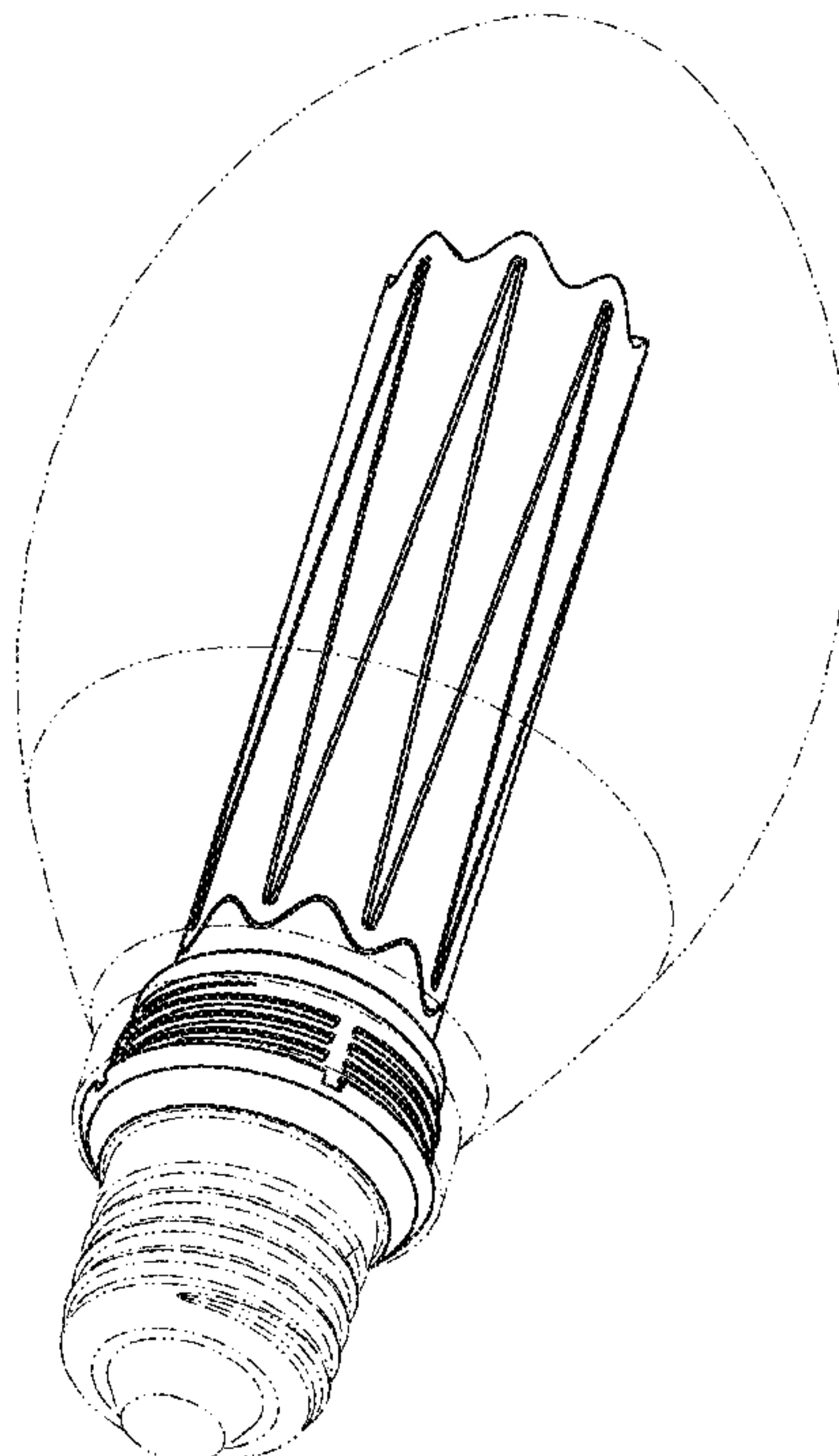
(57) **CLAIM**

The ornamental design for a light bulb, as shown and described.

DESCRIPTION

FIG. 1 is a perspective view of an embodiment of a light bulb showing my new design; FIG. 2 is a front elevational view of the embodiment thereof; FIG. 3 is a rear elevational view of the embodiment thereof; FIG. 4 is a left side view of the embodiment thereof; FIG. 5 is a right side view of the embodiment thereof; FIG. 6 is a top plan view of the embodiment thereof; and, FIG. 7 is a bottom plan view of the embodiment thereof. The broken lines in the drawings illustrate portions of the light bulb which form no part of the claimed design.

1 Claim, 7 Drawing Sheets



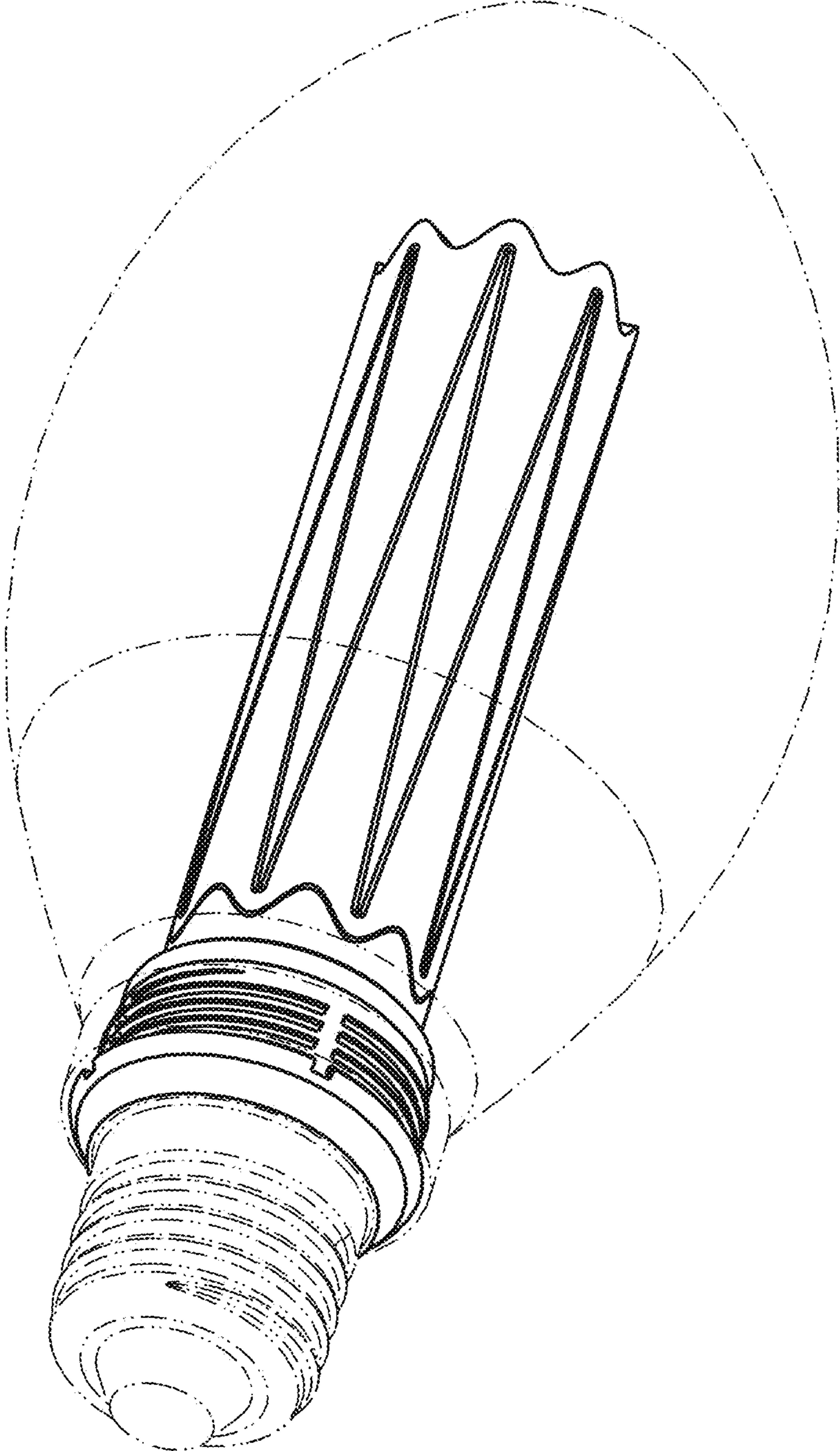


FIG. 1

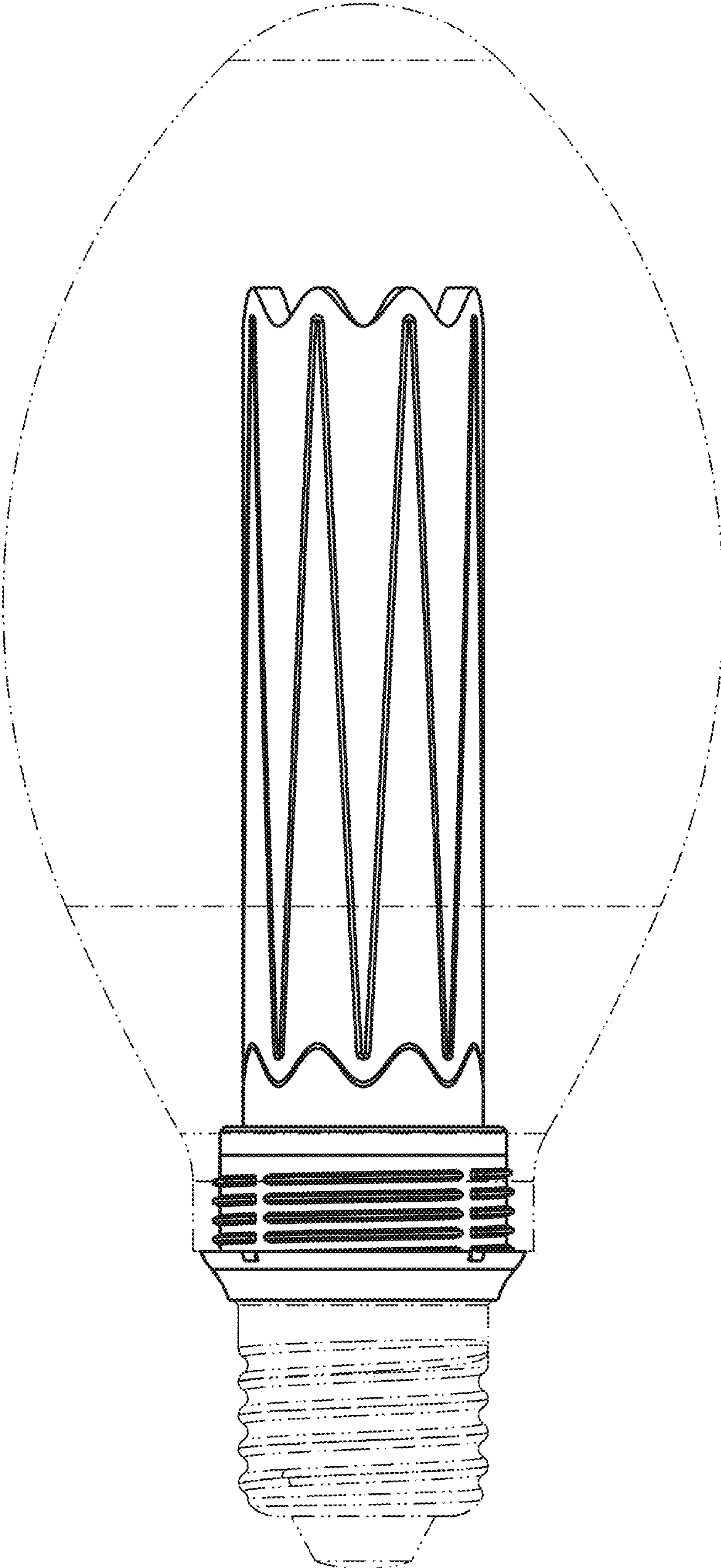


FIG. 2

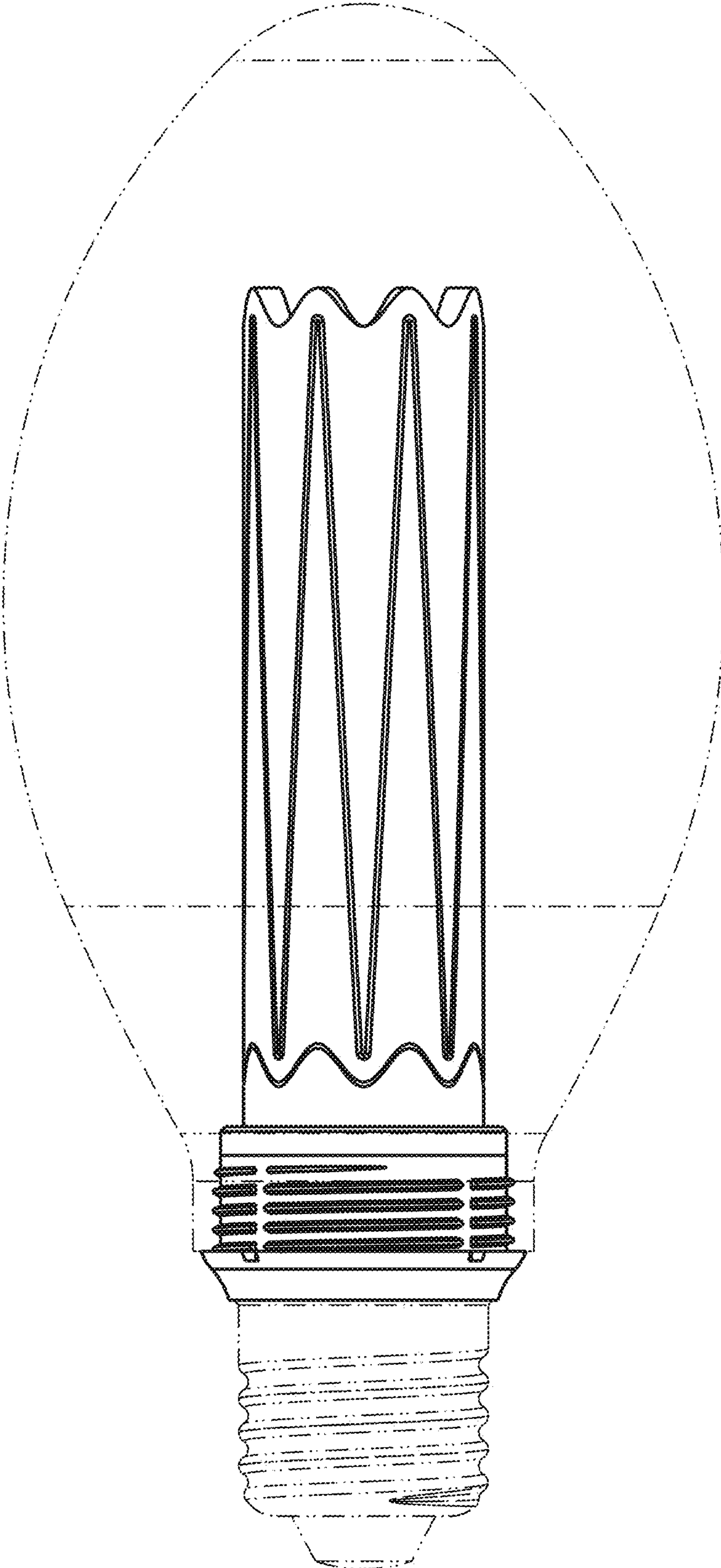


FIG. 3

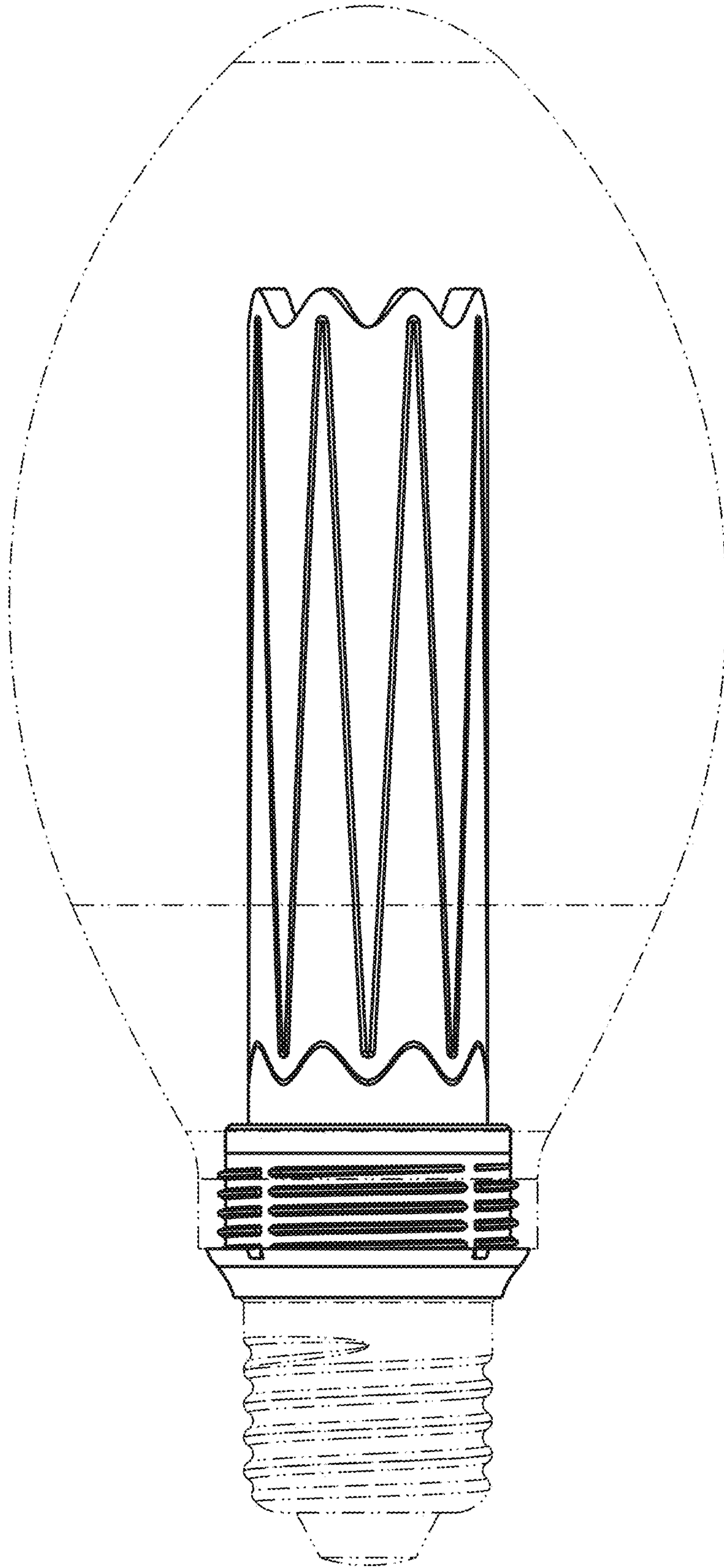


FIG. 4

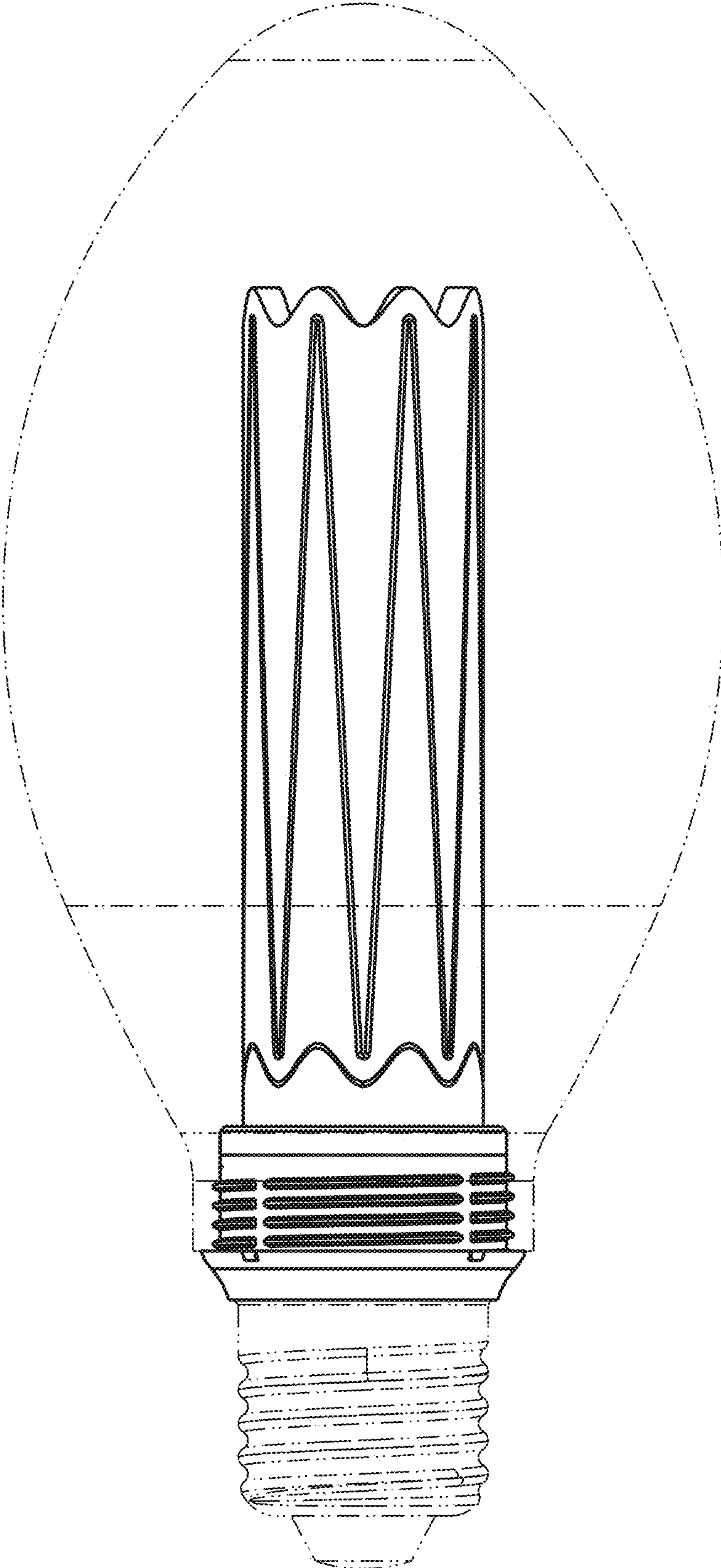


FIG. 5

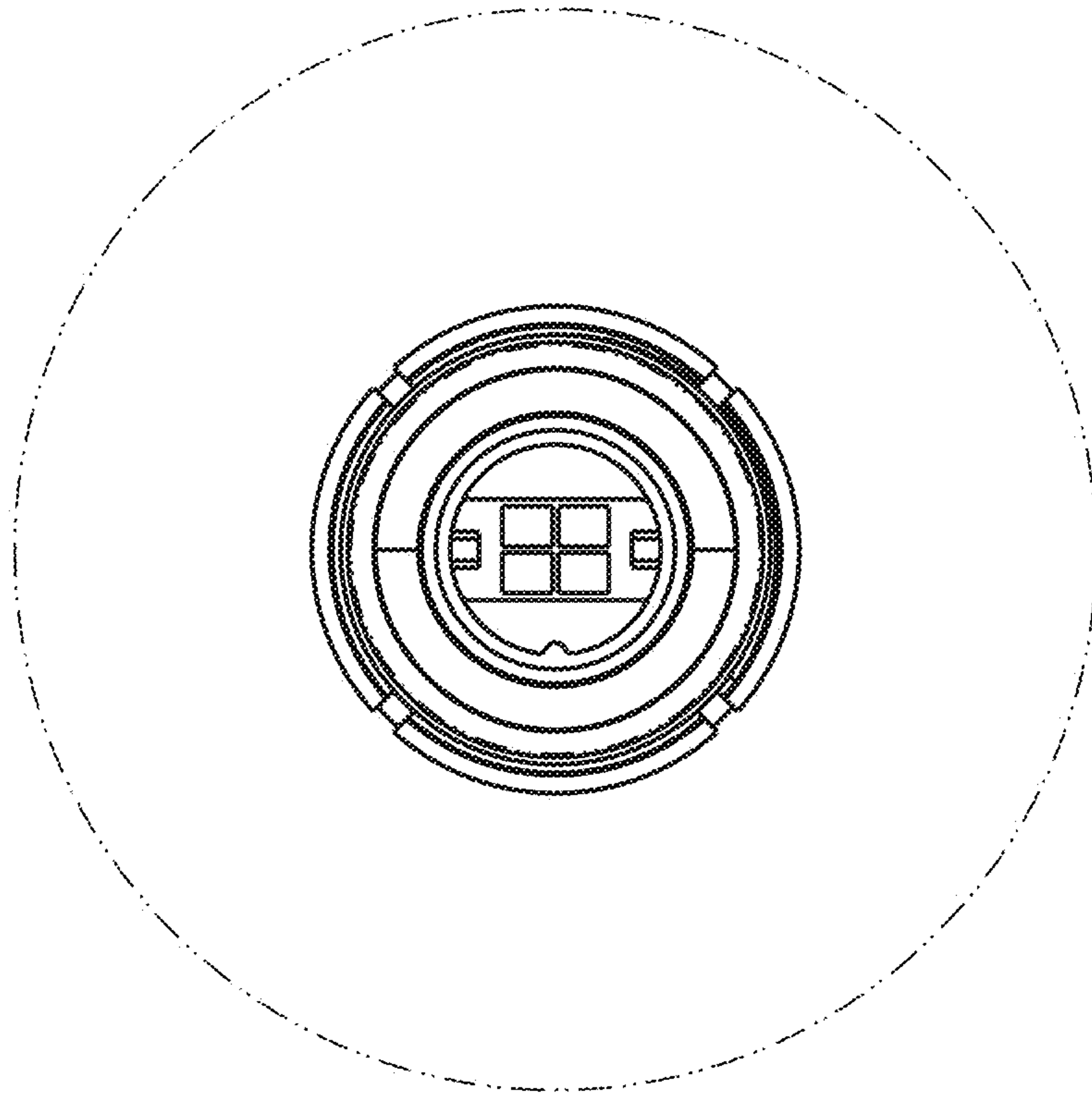


FIG. 6

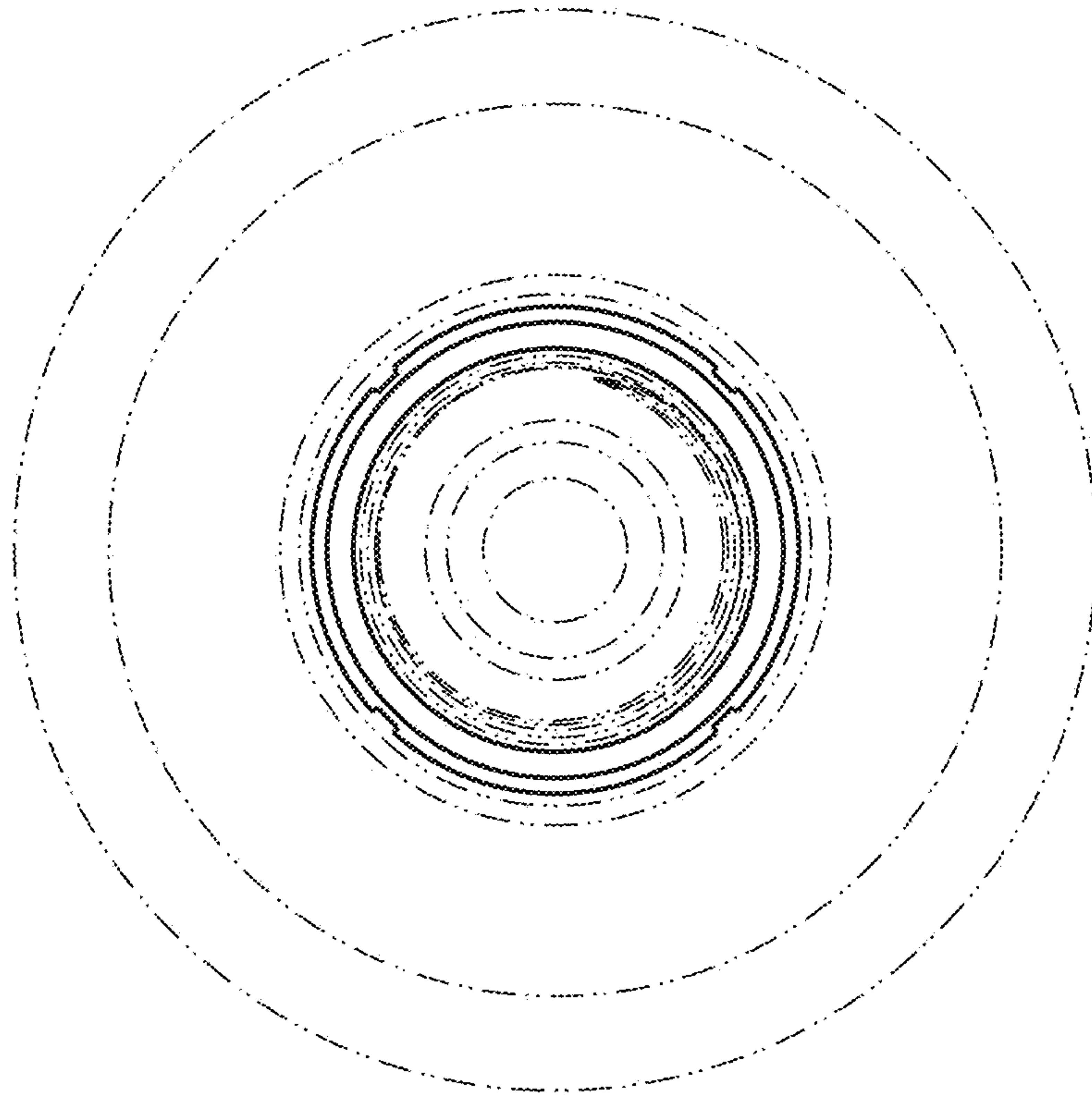


FIG. 7