



US00D886326S

(12) **United States Design Patent**
Ashcraft

(10) **Patent No.:** **US D886,326 S**
(45) **Date of Patent:** **** Jun. 2, 2020**

(54) **FENCING RAIL**

FOREIGN PATENT DOCUMENTS

(71) Applicant: **FDS Distributors, Inc.**, Provo, UT
(US)

KR 300701115.0000 * 7/2013

(72) Inventor: **Rick Lyle Ashcraft**, Springville, UT
(US)

OTHER PUBLICATIONS

Trex Fencing, "Trex Fence Profile: Horizons", published on www.trexfencing.com on Apr. 6, 2016, 1 pg.

(73) Assignee: **FDS Distributors, Inc.**, Provo, UT
(US)

(Continued)

(**) Term: **15 Years**

Primary Examiner — Leanne Was-Englehart

(21) Appl. No.: **29/674,392**

(74) *Attorney, Agent, or Firm* — David Meibos;
Maywood IP Law

(22) Filed: **Dec. 20, 2018**

(57) **CLAIM**

(51) **LOC (12) Cl.** **25-02**

The ornamental design for a fencing rail, as shown and described.

(52) **U.S. Cl.**

USPC **D25/38.1**

(58) **Field of Classification Search**

USPC D25/38.1, 41.1, 42, 43, 44, 119–125,
D25/126, 136, 164

CPC E04F 11/18; E04F 11/181; B66B 23/24;
B65G 15/00; A47K 17/02

See application file for complete search history.

DESCRIPTION

FIG. 1 is a front, right, and top isometric view of a fencing rail.

FIG. 2 is a front elevation view of the fencing rail.

FIG. 3 is a rear elevation view of the fencing rail.

FIG. 4 is a right end elevation view of the fencing rail.

FIG. 5 is a left end elevation view of the fencing rail.

FIG. 6 is a top plan view of the fencing rail.

FIG. 7 is a bottom plan view of the fencing rail.

FIG. 8 is a front, right, and top isometric view of the fencing rail.

FIG. 9 is an enlarged front, right, and top isometric view of the left end of the fencing rail taken from FIG. 8.

FIG. 10 is an enlarged front, right, and top isometric view of the middle of the fencing rail taken from FIG. 8; and,

FIG. 11 is an enlarged front, right, and top isometric view of the right end of the fencing rail taken from FIG. 8.

The broken lines in FIG. 1 depict environment that forms no part of the claimed design. The broken line circles in FIGS. 8-11 depict the limits of the enlarged views and form no part of the claimed design.

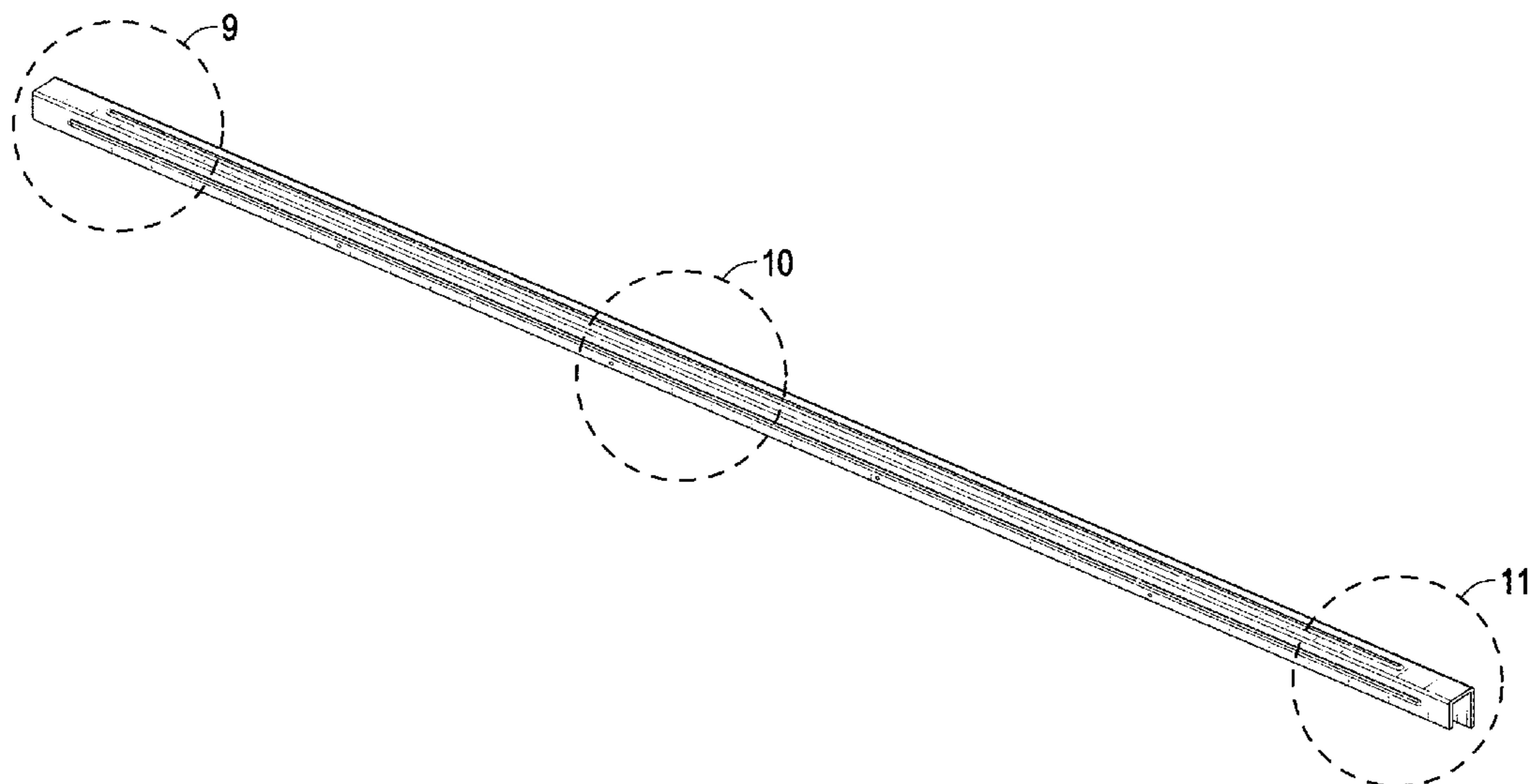
(56) **References Cited**

U.S. PATENT DOCUMENTS

3,029,561	A *	4/1962	Clay	E04B 1/942
					52/410
3,529,651	A *	9/1970	Bender	E06B 3/481
					160/183
3,955,799	A *	5/1976	Lauzier	E04F 11/181
					256/21
4,182,080	A *	1/1980	Naylor	E06B 3/7005
					49/163
D268,526	S *	4/1983	Faber	D25/126
D529,630	S *	10/2006	Zarb	D25/119
D578,225	S *	10/2008	Fitts, III	D25/126
D649,266	S *	11/2011	Knight	D25/126
D742,546	S *	11/2015	Singh	D25/119
D771,276	S *	11/2016	Walker	D25/119

(Continued)

1 Claim, 6 Drawing Sheets



(56)

References Cited

U.S. PATENT DOCUMENTS

D830,153 S * 10/2018 Sadofsky D8/354
D859,611 S * 9/2019 Gori D23/267

OTHER PUBLICATIONS

Trex Fencing, "Trex Horizons Fence Exploded View", published on
www.trexfencing.com on April 6, 2016, 1 pg.

* cited by examiner

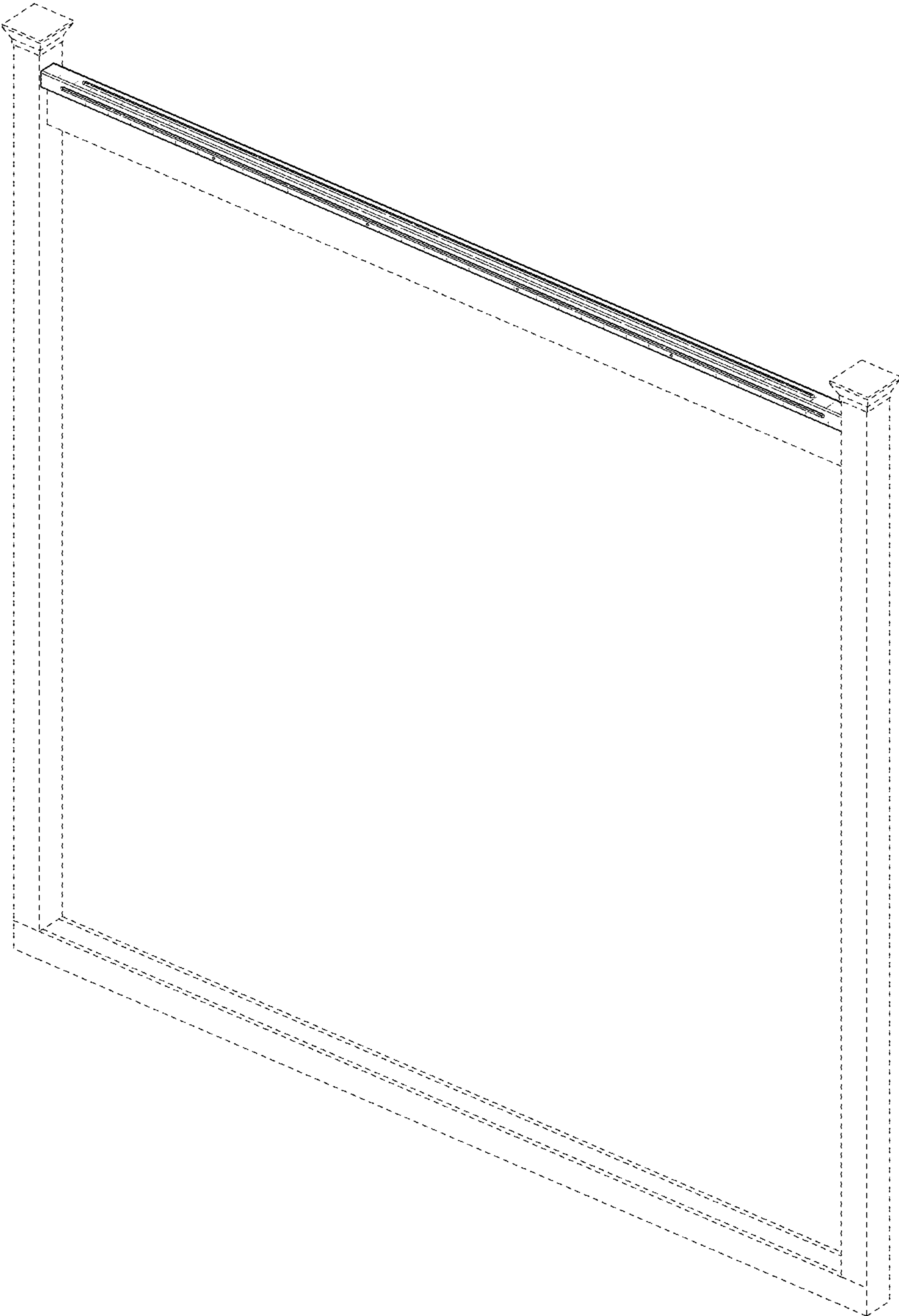


FIG. 1



FIG. 2



FIG. 3



FIG. 4



FIG. 5



FIG. 6



FIG. 7

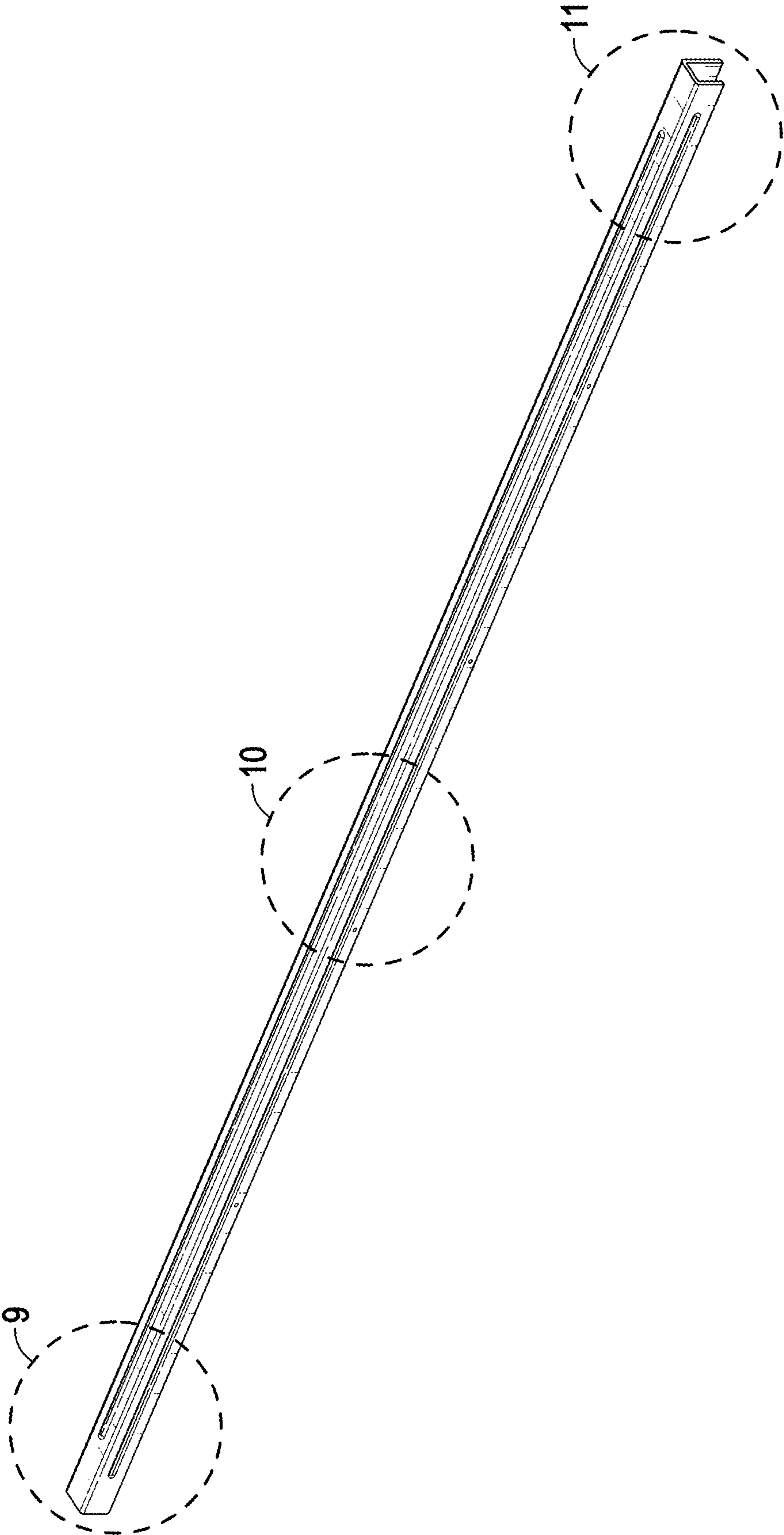


FIG. 8

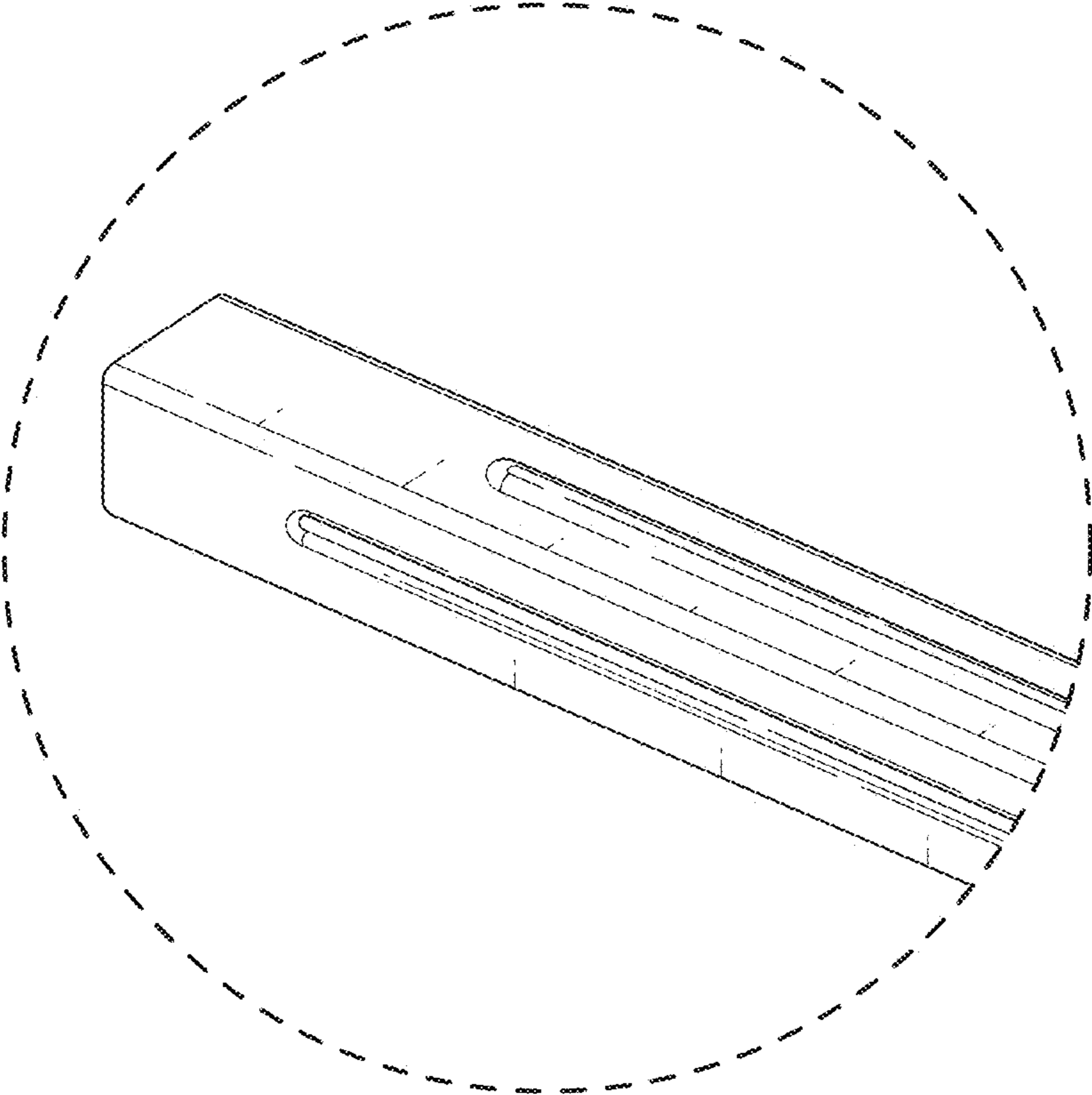


FIG. 9

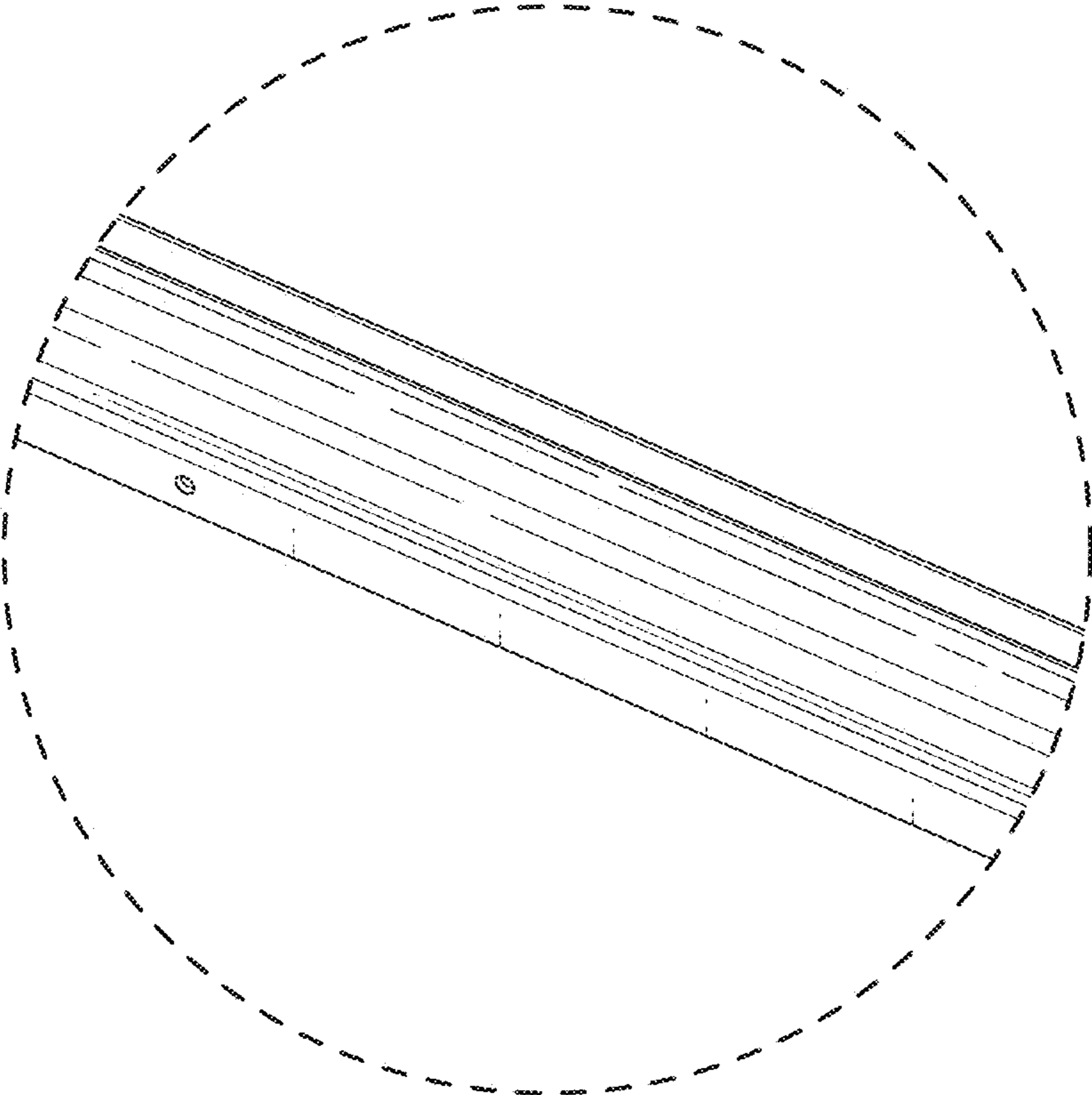


FIG. 10

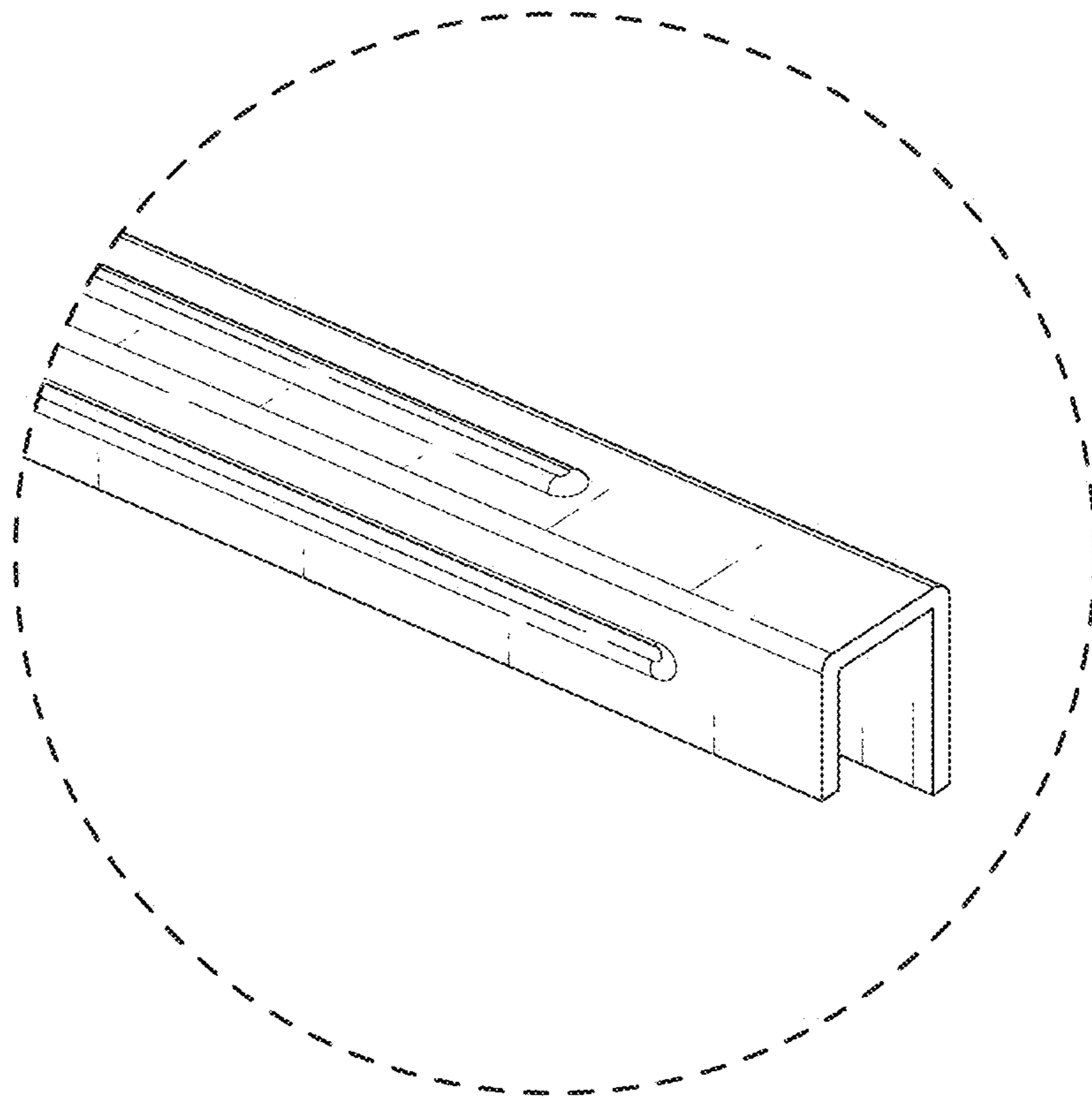


FIG. 11