



US00D886322S

(12) **United States Design Patent**
Neuman

(10) **Patent No.:** **US D886,322 S**
(45) **Date of Patent:** **** Jun. 2, 2020**

- (54) **MELTING POT**
- (71) Applicant: **Future Diagnostics LLC**, Garden City, NY (US)
- (72) Inventor: **Yudah Neuman**, Brooklyn, NY (US)
- (73) Assignee: **Future Diagnostics LLC**, Brooklyn, NY (US)

6,769,302 B1 * 8/2004 King G01F 19/00
73/426
D610,700 S * 2/2010 Khoury D24/121
D627,479 S * 11/2010 Cofie D24/224
D636,092 S * 4/2011 Hull D24/224
D688,579 S * 8/2013 Marshall D10/46.2
D743,279 S * 11/2015 Schwartz D10/46.2
D795,102 S * 8/2017 Alla D10/57
D842,494 S * 3/2019 Lee D24/224
2008/0017540 A1 * 1/2008 Sawhney G01F 19/00
206/514

(**) Term: **15 Years**

* cited by examiner

(21) Appl. No.: **29/670,622**

Primary Examiner — Anhdao Doan

(22) Filed: **Nov. 18, 2018**

(74) *Attorney, Agent, or Firm* — Stern & Schurin LLP

(51) **LOC (12) Cl.** **24-01**

(57) **CLAIM**

The ornamental design for a melting pot, as shown and described.

(52) **U.S. Cl.**

DESCRIPTION

USPC **D24/232**

(58) **Field of Classification Search**

USPC D24/107, 186, 216, 219, 220, 221,
D24/223–227, 231, 232; D10/81, 50, 51,
D10/57, 46.2; D7/305, 312, 316, 318,
D7/533

CPC B01L 3/52; G01F 19/00; H05B 3/0014
See application file for complete search history.

FIG. 1 is a top, rear and left-side perspective view showing my new melting pot design;
FIG. 2 is a front elevational view thereof;
FIG. 3 is a rear elevational view thereof;
FIG. 4 is a right-side elevational view thereof;
FIG. 5 is a left-side elevational view thereof;
FIG. 6 is a top plan view thereof;
FIG. 7 is a bottom plan view thereof; and,
FIG. 8 is a top, rear and left-side perspective view showing my new melting pot design with the thermometer thereof separated from the rest of the melting pot.

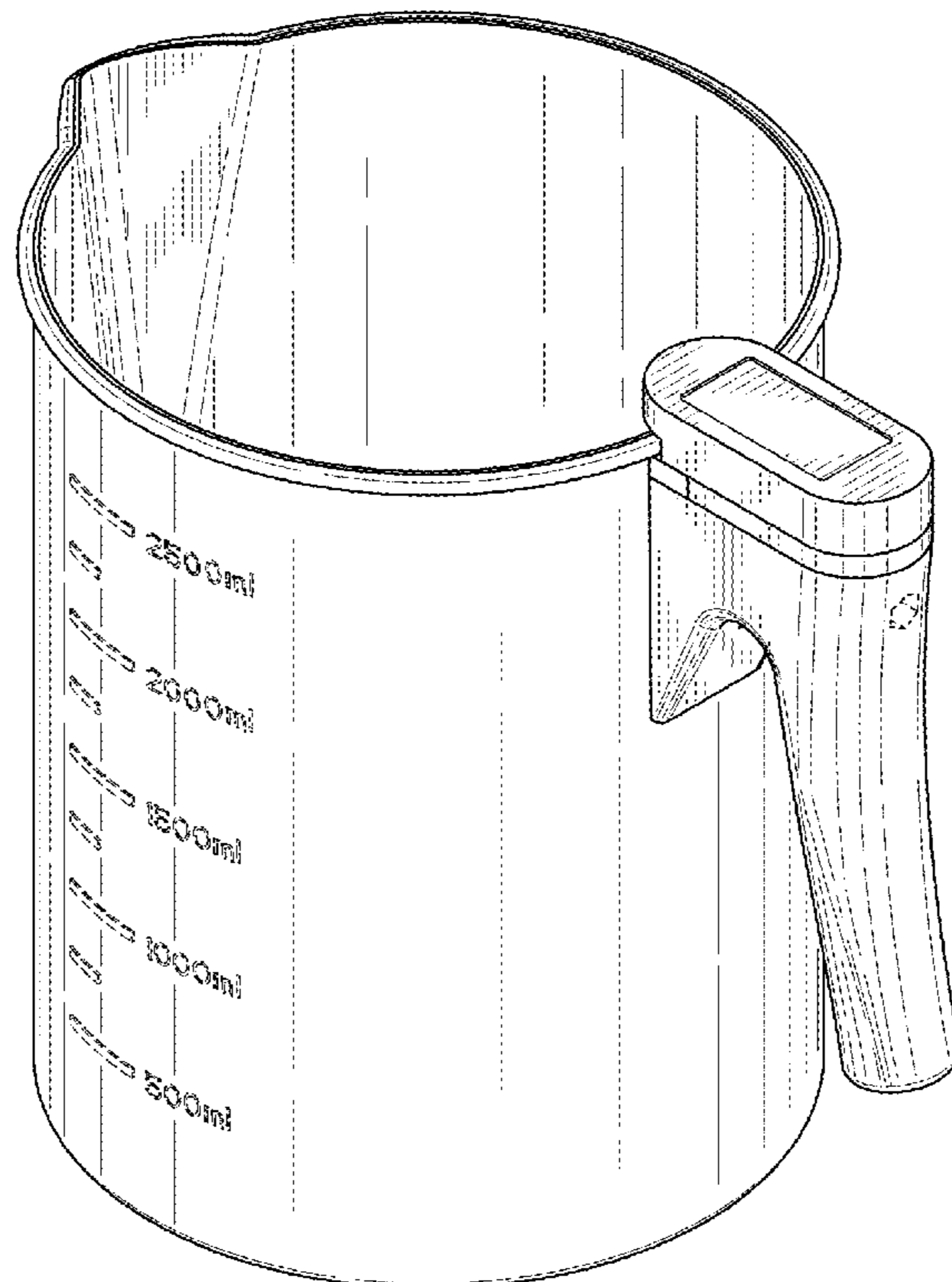
The broken lines depict portions of the melting pot that form no part of the claimed design; the broken lines form no part of the claimed design.

(56) **References Cited**

U.S. PATENT DOCUMENTS

D256,726 S * 9/1980 Meuli D10/81
D328,492 S * 8/1992 Mathis D10/46.2
D359,883 S * 7/1995 Suarez D24/121
D433,274 S * 11/2000 Babayan D24/224

1 Claim, 8 Drawing Sheets



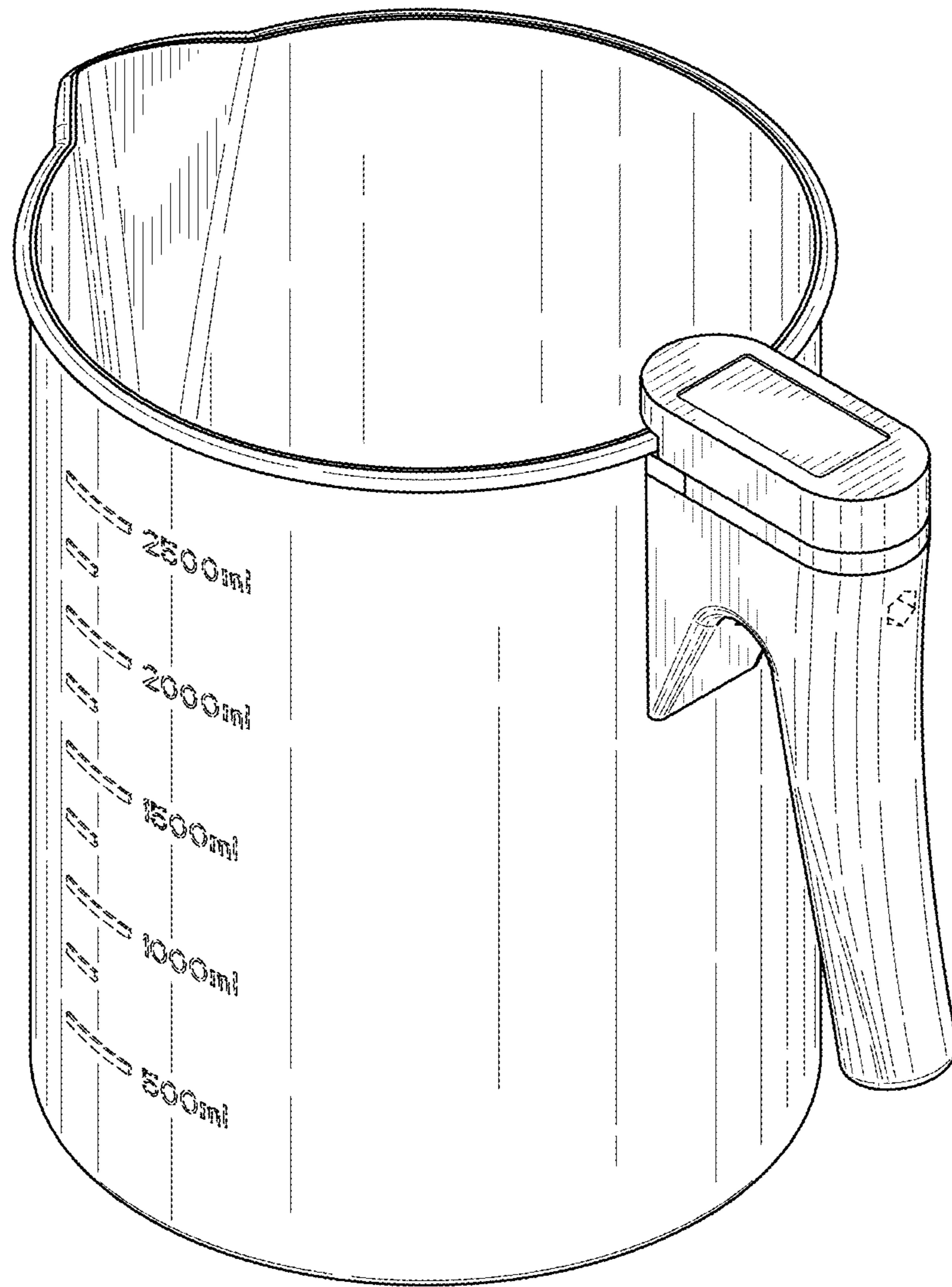


FIG. 1

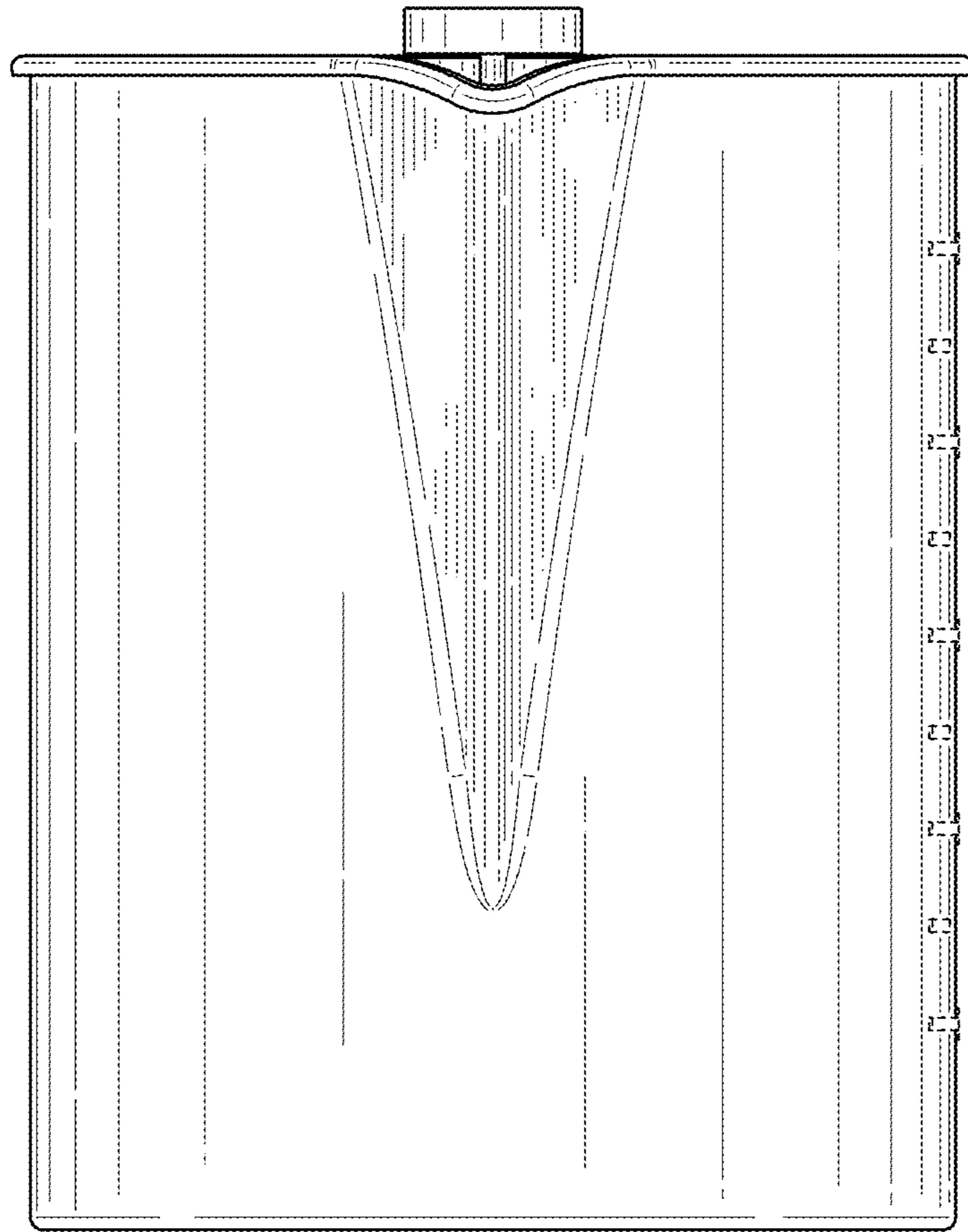


FIG. 2

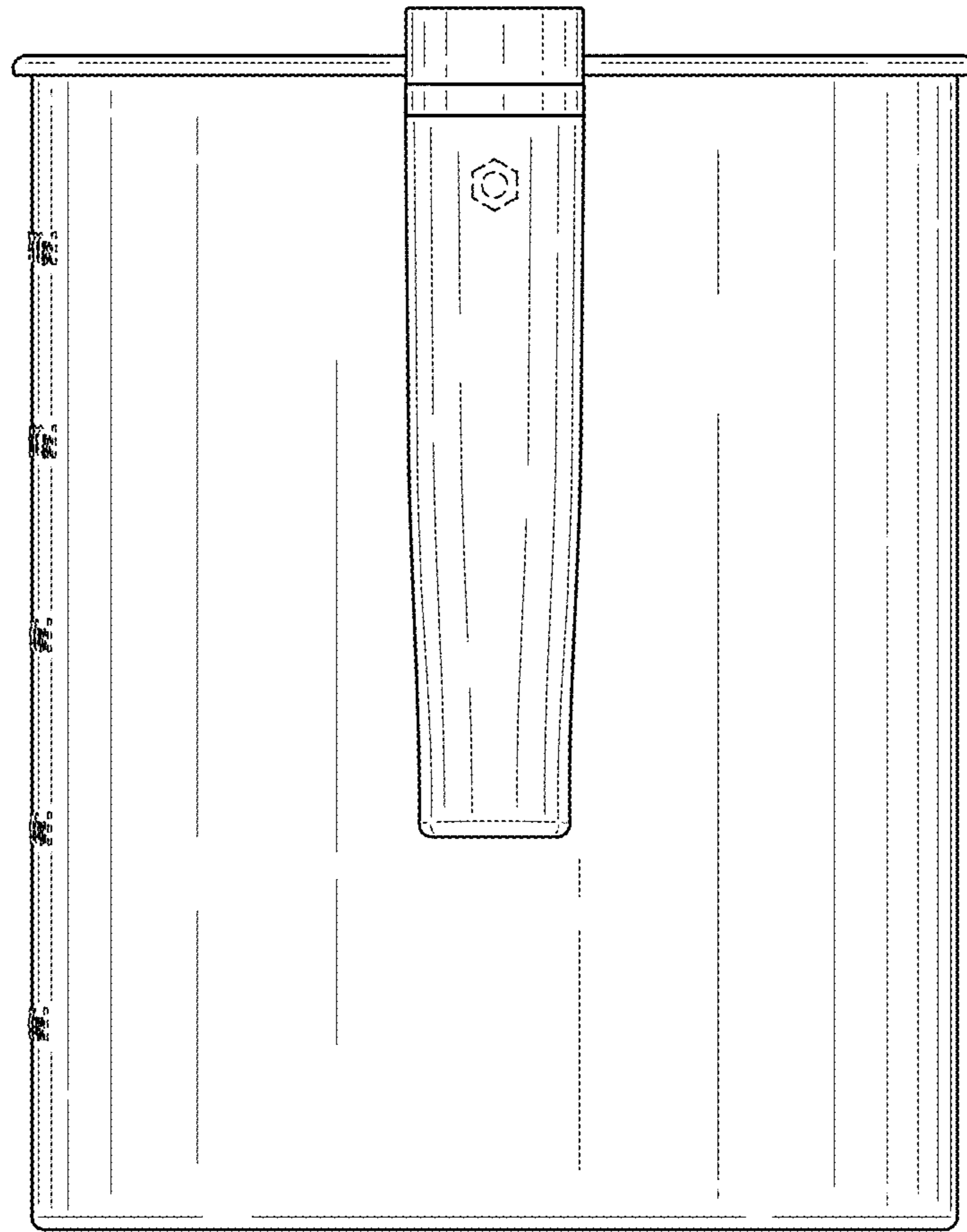


FIG. 3

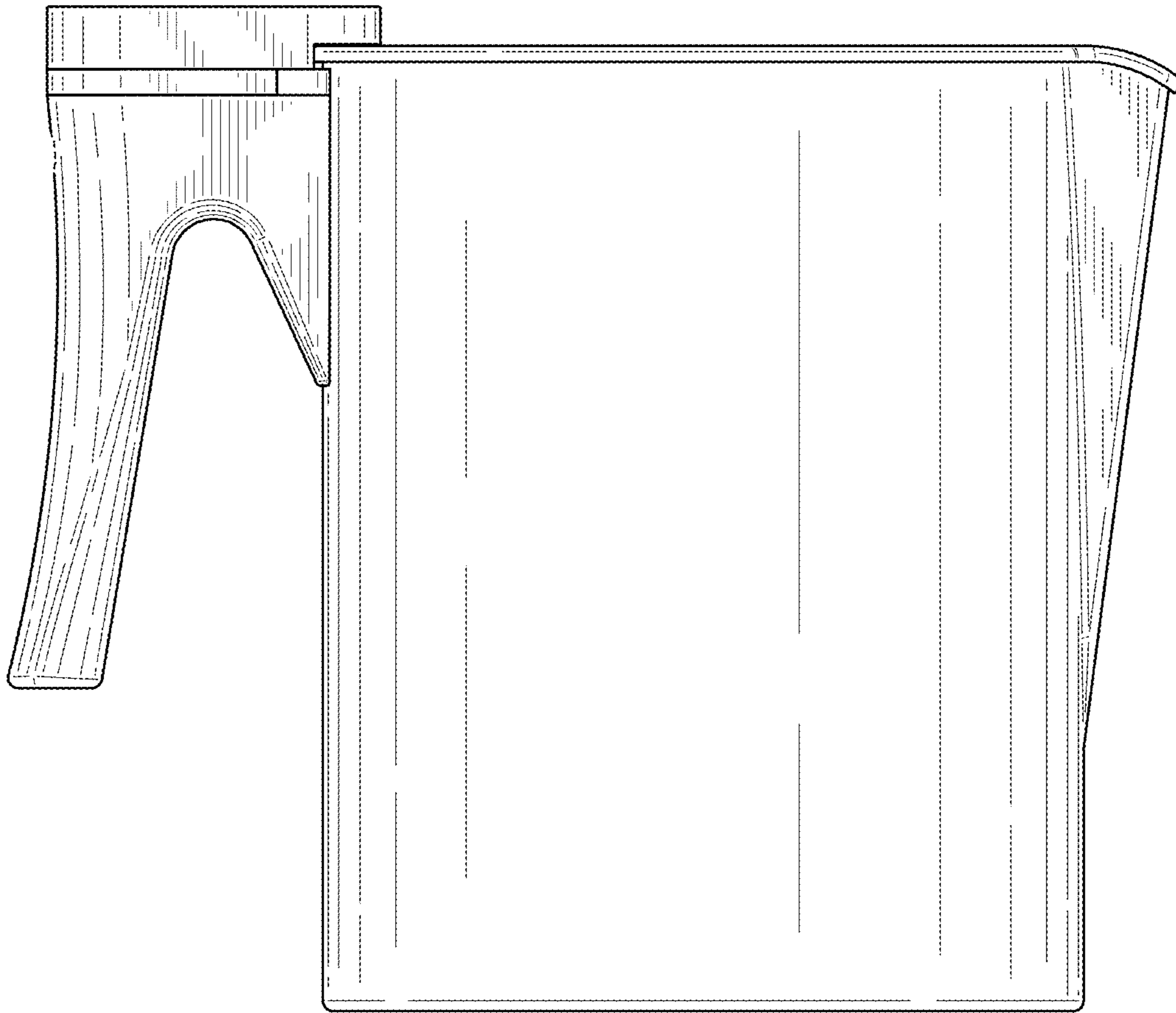


FIG. 4

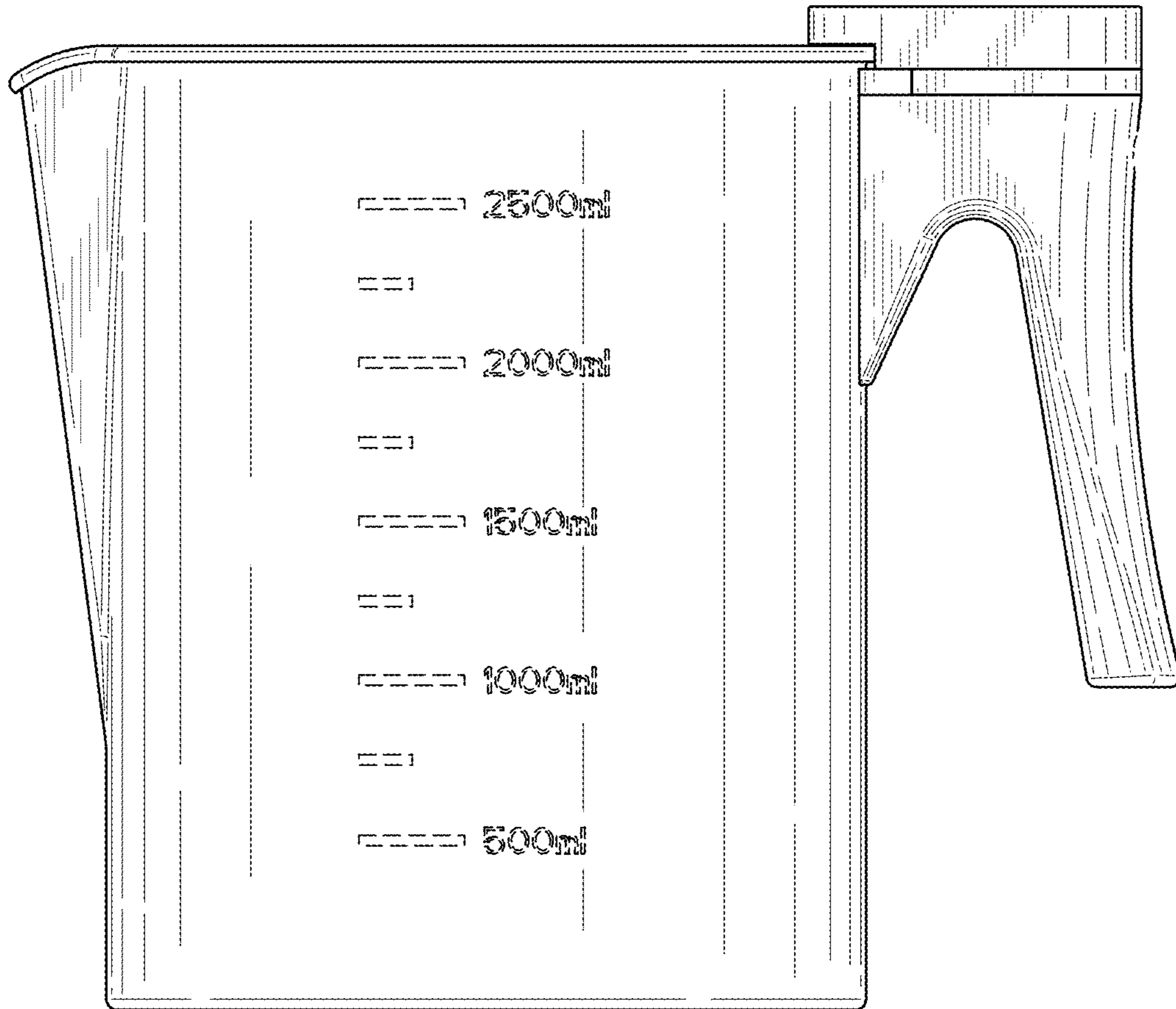


FIG. 5

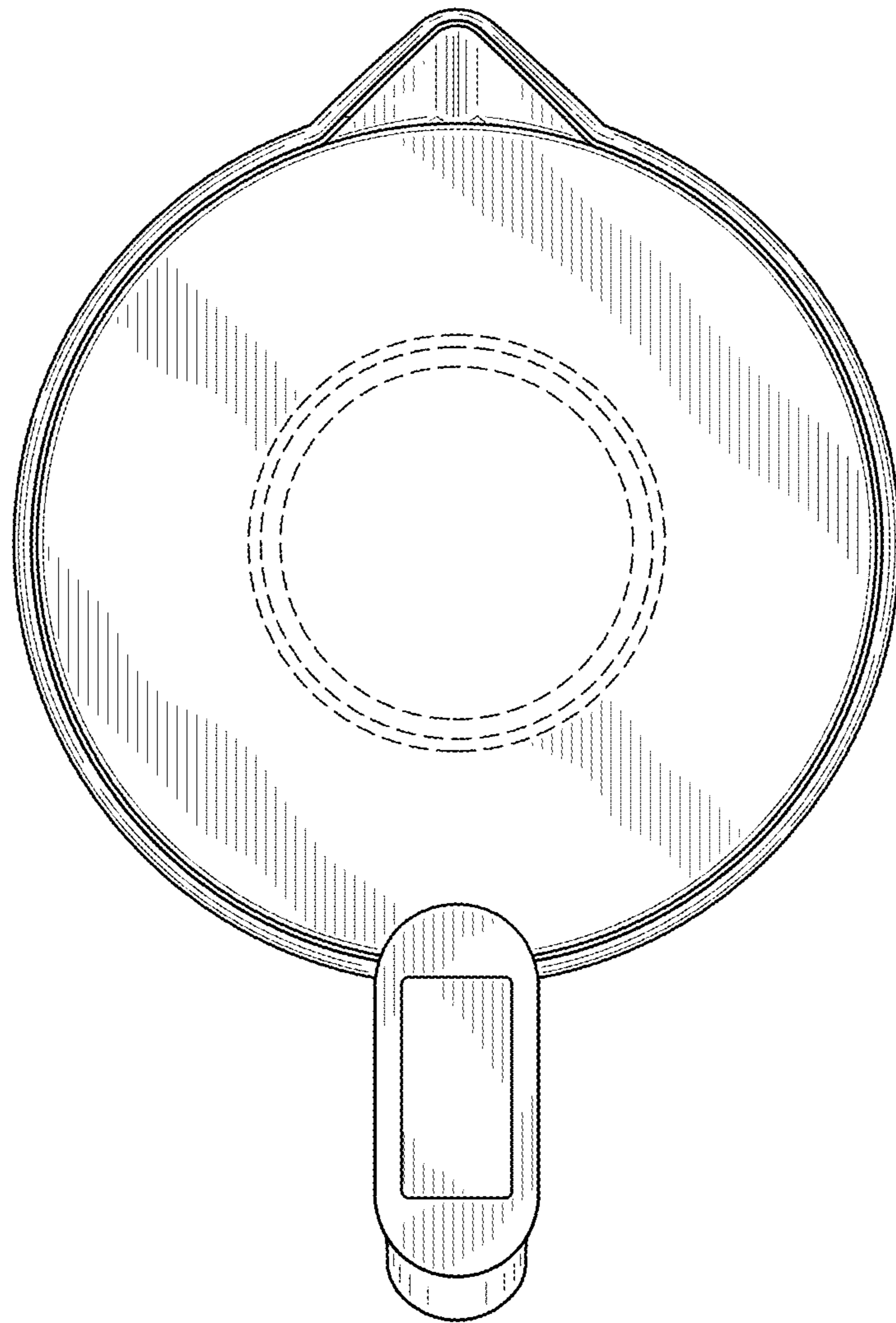


FIG. 6

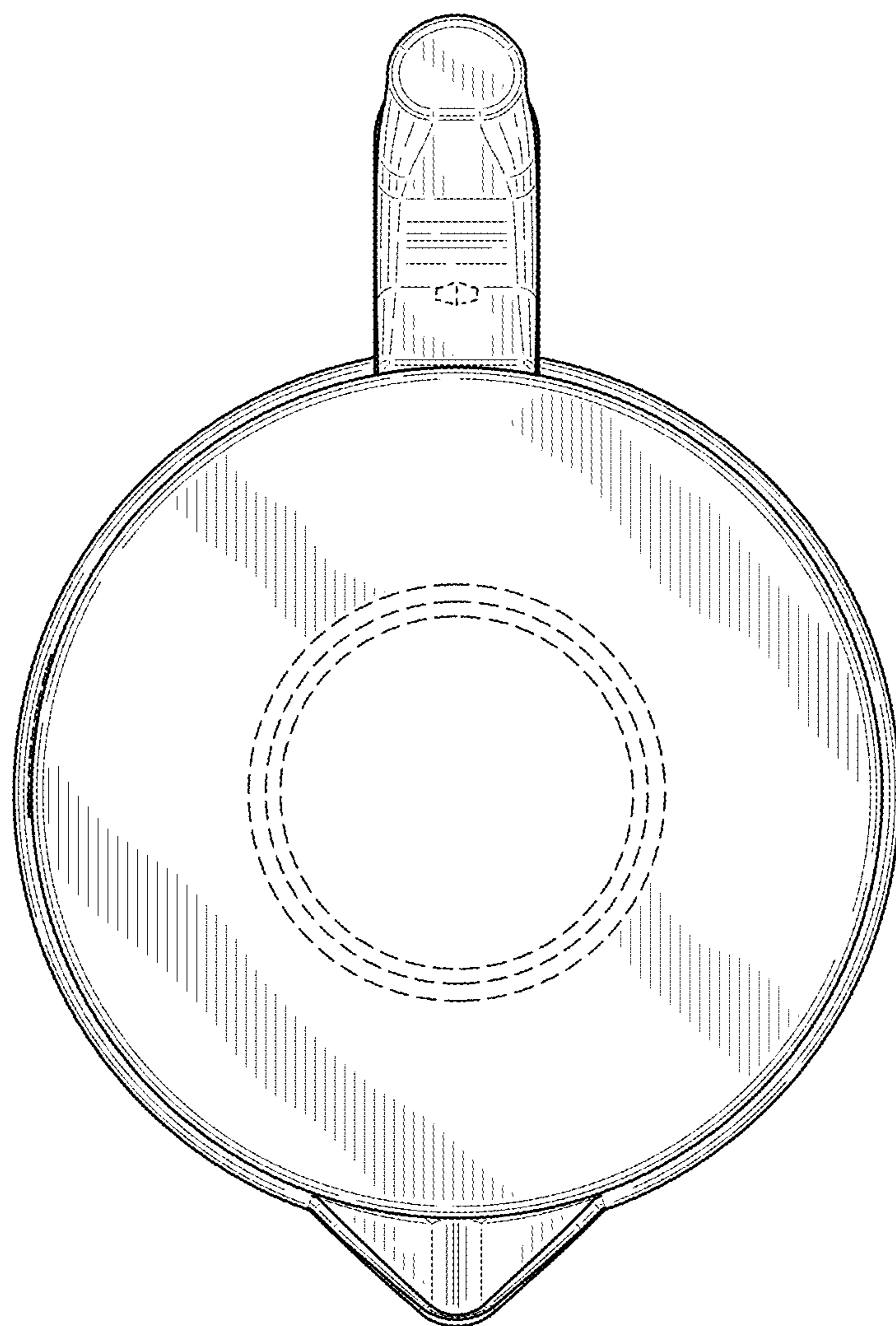


FIG. 7

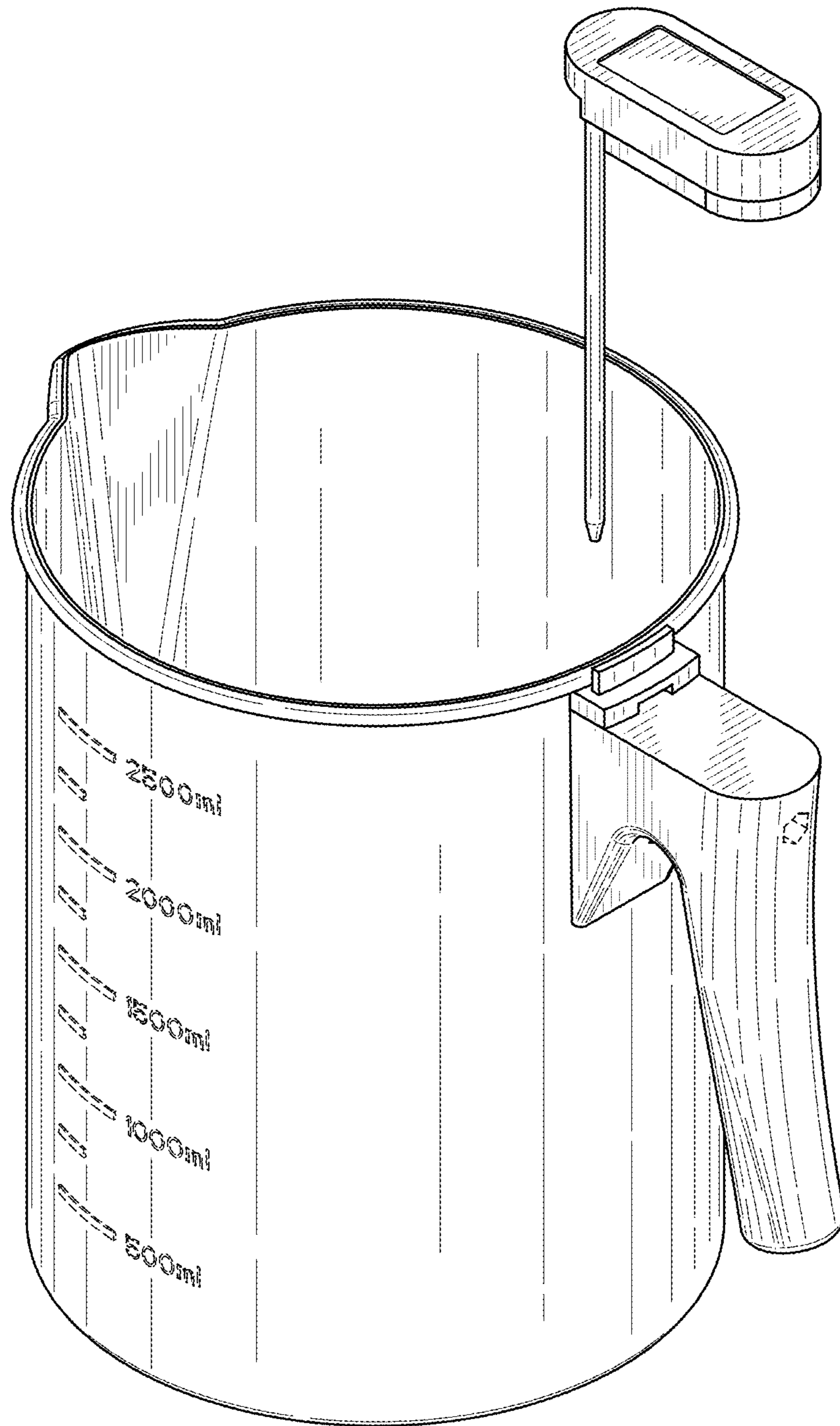


FIG. 8