



US00D886321S

(12) **United States Design Patent** (10) **Patent No.:** **US D886,321 S**
Motadel et al. (45) **Date of Patent:** **** Jun. 2, 2020**

(54) **PIPETTE TIP RACK ASSEMBLY**
(71) Applicant: **BIOTIX, INC.**, San Diego, CA (US)
(72) Inventors: **Arta Motadel**, San Diego, CA (US);
Peter Paul Blaszcak, San Diego, CA (US); **Juan Martin Mendez Padilla**, Tijuana (MX)
(73) Assignee: **BIOTIX, INC.**, San Diego, CA (US)
(**) Term: **15 Years**
(21) Appl. No.: **29/634,348**
(22) Filed: **Jan. 19, 2018**
(51) **LOC (12) Cl.** **24-02**
(52) **U.S. Cl.**
USPC **D24/229**
(58) **Field of Classification Search**
USPC D24/108, 127-130, 216, 222, 224-232;
D9/756-758; D6/406.1-406.3, 406.6;
D19/37; D3/203.1, 304
CPC B01L 9/543
See application file for complete search history.

D840,053 S * 2/2019 Kamees D24/230
2011/0306051 A1* 12/2011 Belz A01G 25/00
435/6.12
2011/0306053 A1* 12/2011 Ochsenbein B01L 7/52
435/6.12
2011/0306118 A1* 12/2011 Belz G01N 35/00732
435/287.2
2014/0234182 A1* 8/2014 Motadel B01L 9/543
422/526

(Continued)

OTHER PUBLICATIONS

Pipette Tips. Online, published date unknown. Retrieved on Mar. 20, 2019 from <URL: <http://neptunescientific.com/products/pipette-tips/>>.*

(Continued)

Primary Examiner — Susan Bennett Hattan
Assistant Examiner — Omeed Agilee
(74) *Attorney, Agent, or Firm* — Grant IP, Inc.

(57) **CLAIM**

The ornamental design for a pipette tip rack assembly, as shown and described.

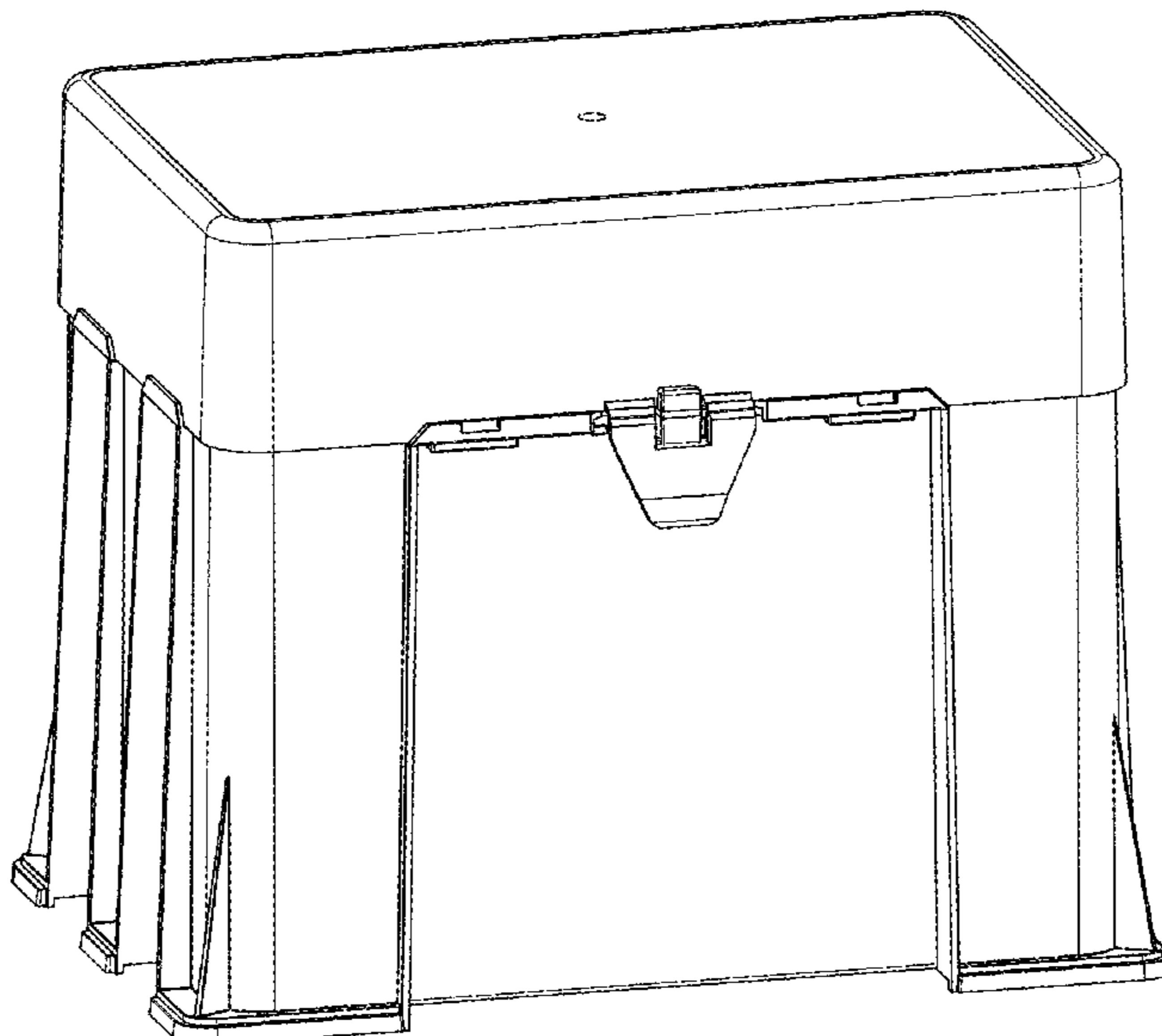
DESCRIPTION

FIG. 1 is a top perspective view of a pipette tip rack assembly with closed lid;
FIG. 2 is a front view thereof;
FIG. 3 is a back view thereof;
FIG. 4 is a side view thereof;
FIG. 5 is a side view thereof;
FIG. 6 is a top view thereof;
FIG. 7 is a bottom view thereof; and,
FIG. 8 is a bottom perspective view thereof.
The broken lines in the drawings depict portions of the pipette tip rack assembly that form no part of the claimed design.

1 Claim, 8 Drawing Sheets

(56) **References Cited**
U.S. PATENT DOCUMENTS

D464,734 S * 10/2002 Berna D24/216
D574,505 S * 8/2008 Muller-Cohn D24/216
D631,557 S * 1/2011 Tajima D24/229
D632,803 S * 2/2011 Motadel D24/229
8,312,781 B2 * 11/2012 Himmelsbach B01L 3/50825
73/64.56
D699,370 S * 2/2014 Motadel D24/229
D699,859 S * 2/2014 Motadel D24/227
D724,236 S * 3/2015 Motadel D24/227
9,238,227 B2 * 1/2016 Motadel B01L 9/543
D768,873 S * 10/2016 Stedman D24/227
D808,540 S * 1/2018 Johns D24/227
D812,243 S * 3/2018 Johns D24/227
D826,426 S * 8/2018 Muller D24/230



(56)

References Cited

U.S. PATENT DOCUMENTS

2014/0308181 A1* 10/2014 Blumentritt B01L 3/0275
422/560
2016/0001292 A1* 1/2016 Motadel B01L 9/543
206/563
2016/0101422 A1* 4/2016 Bucher B01L 9/543
422/564
2017/0008001 A1* 1/2017 Motadel B01L 9/543
2019/0009277 A1* 1/2019 Kofler B01L 9/543

OTHER PUBLICATIONS

2-200ul MicroPette Universal Sterile Filtered Tips. Online, published date unknown. Retrieved on Mar. 20, 2019 from <URL: https://www.labproservices.com/2-200ul-micropette-universal-sterile-filtered-tips-clear-color-rack-10-x-96-960.html?gclid=EAlalQobChMlyLSOveGR4QIVAT0MCh0A2gstEAQYCCABEg-I8IPD_BwE>.*

* cited by examiner

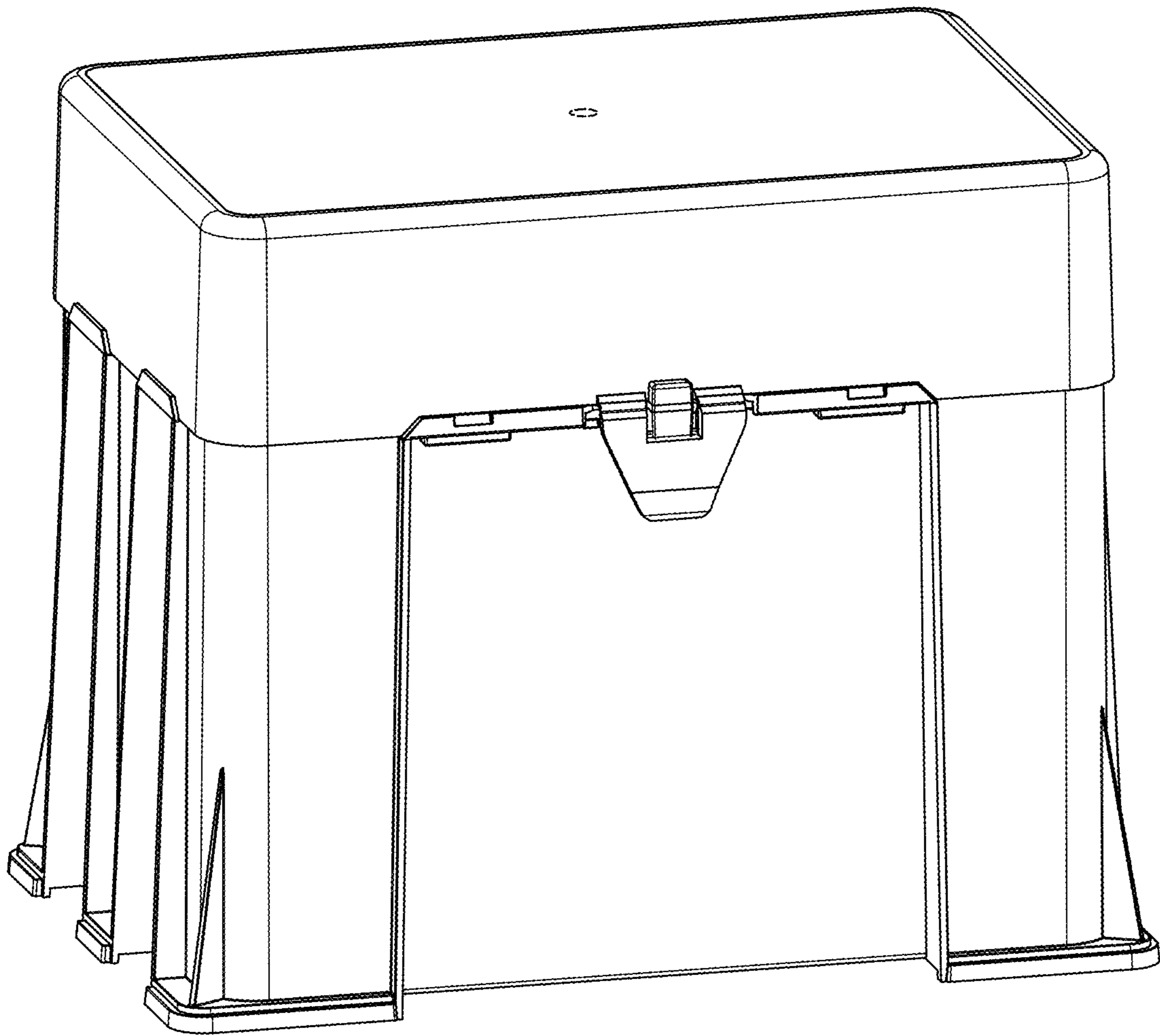


FIG. 1

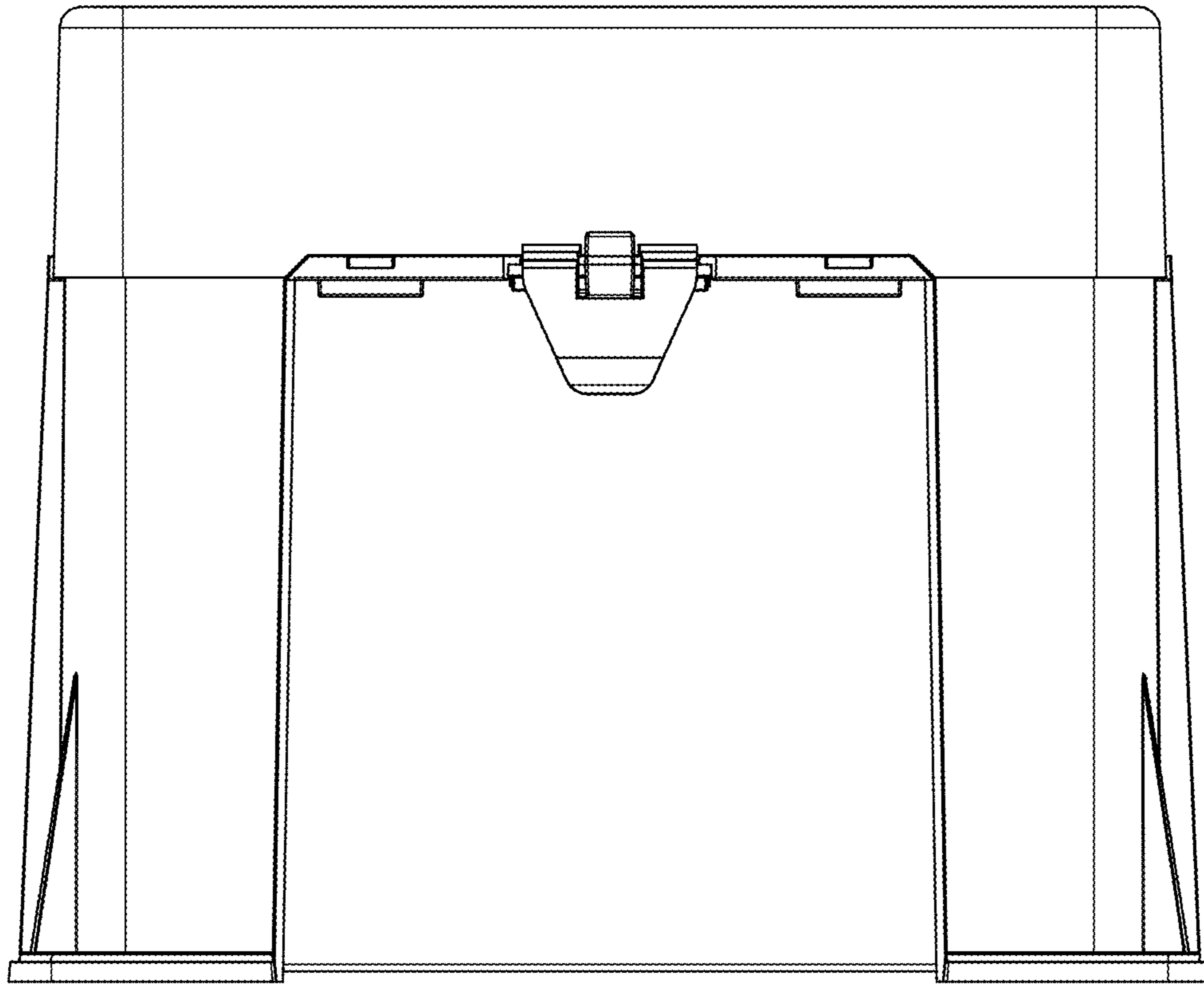


FIG. 2

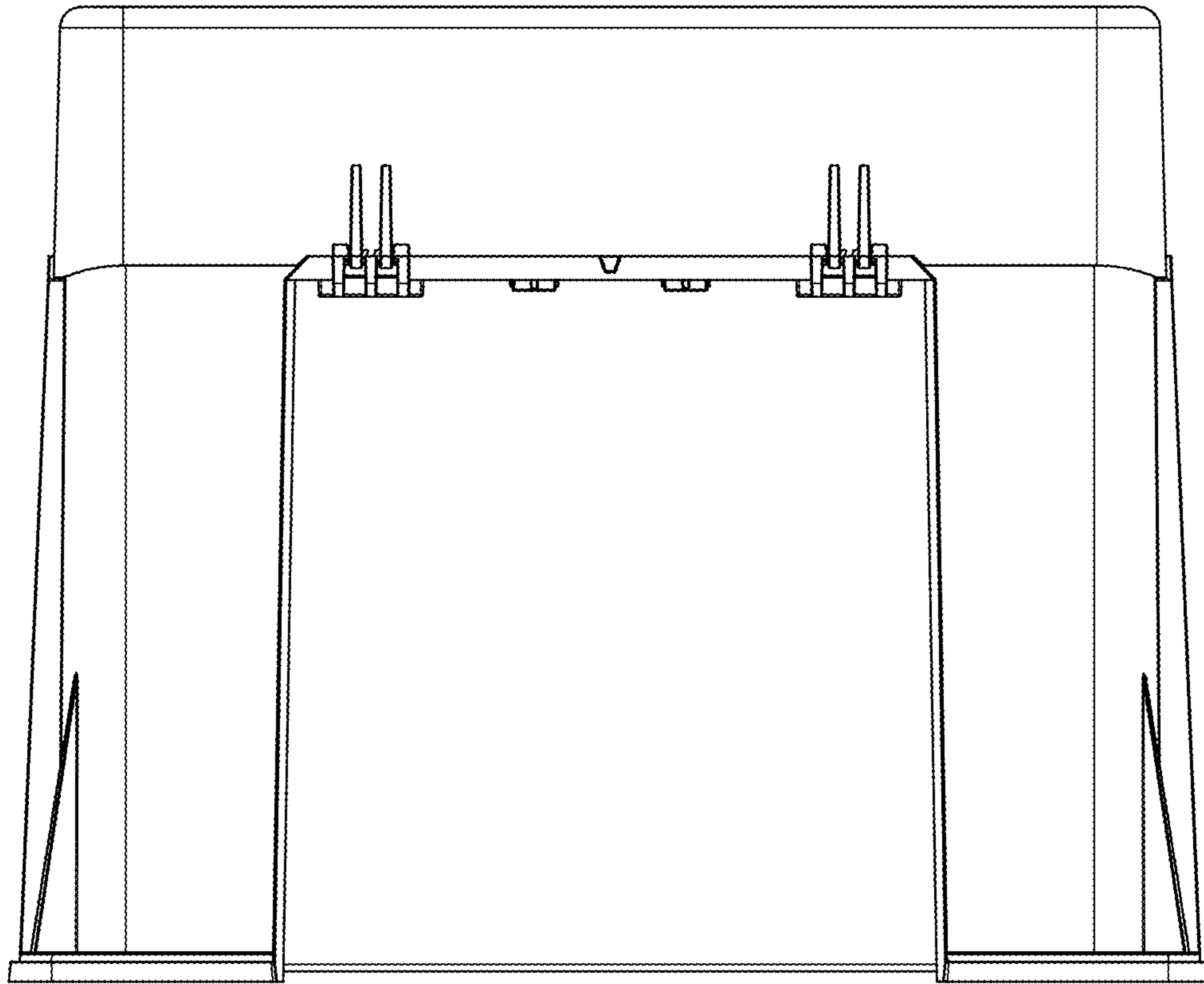


FIG. 3

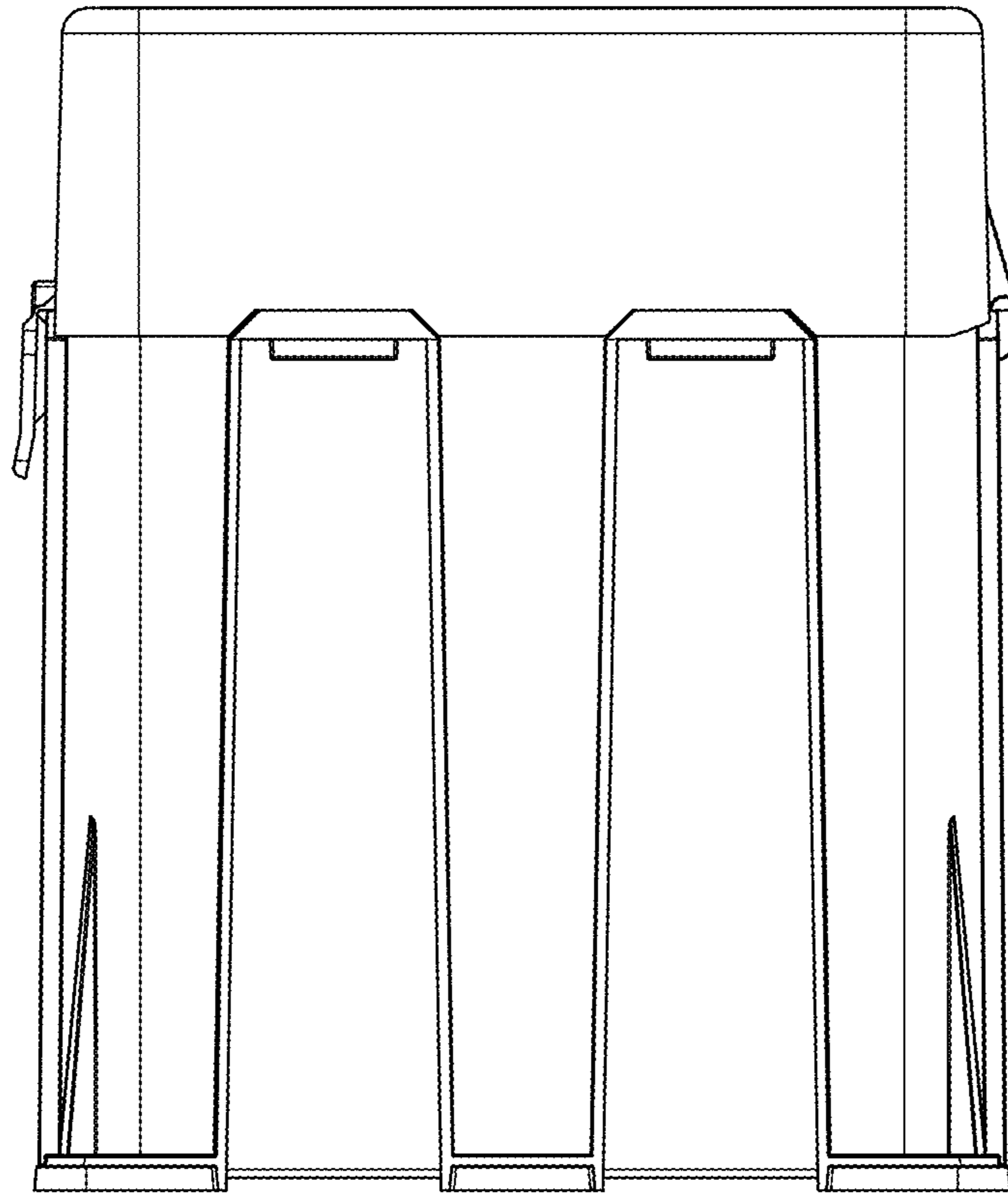


FIG. 4

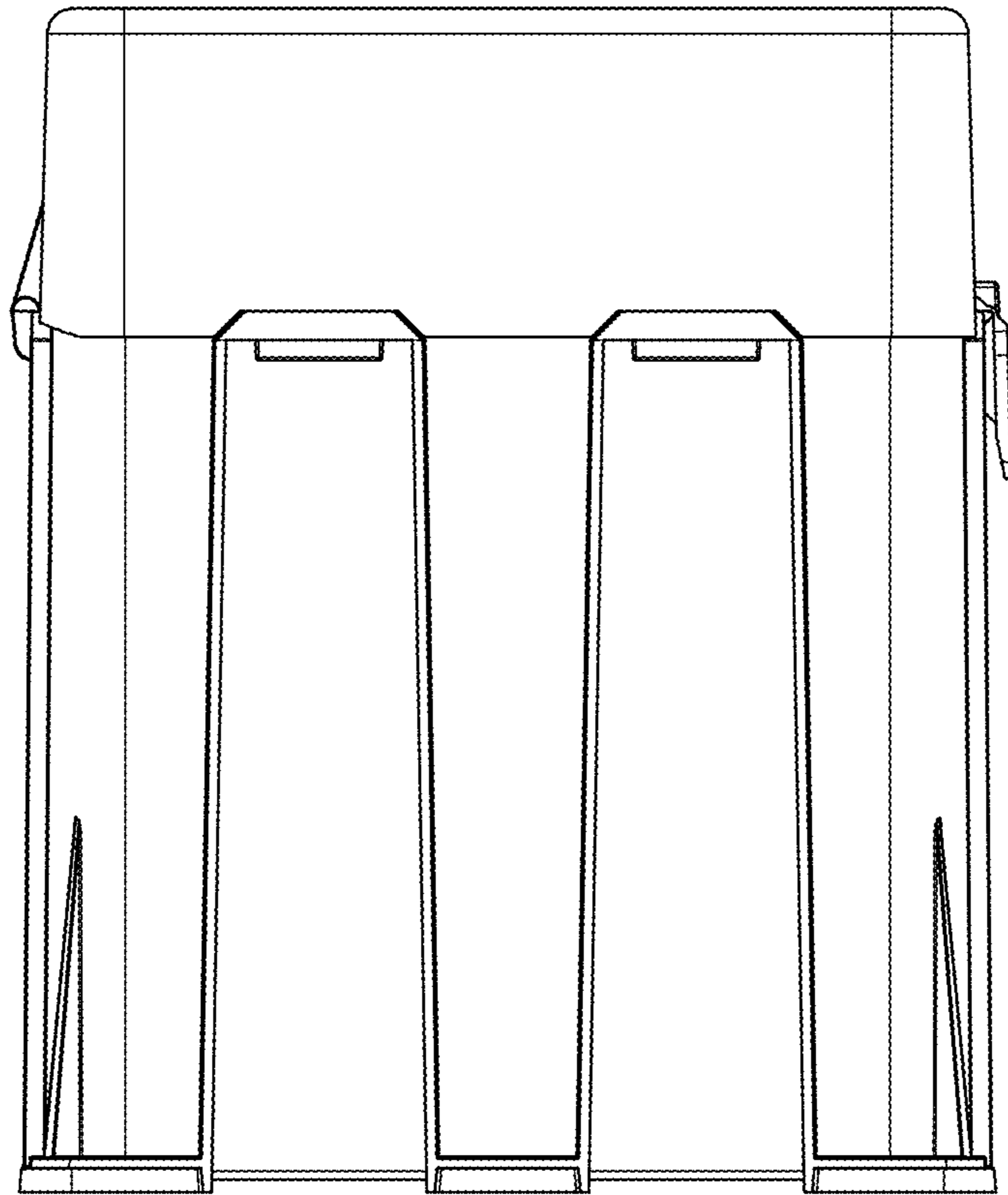


FIG. 5

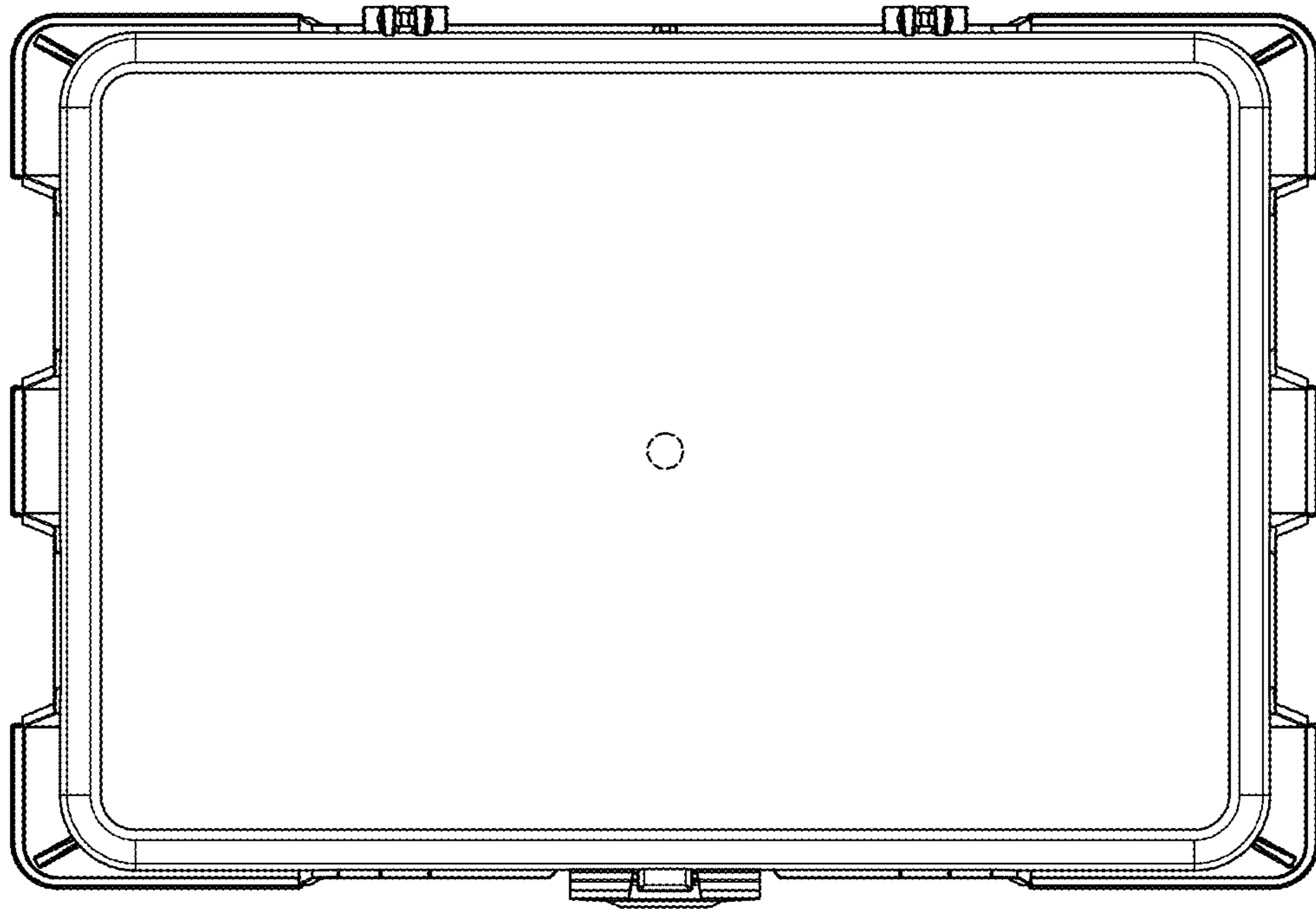


FIG. 6

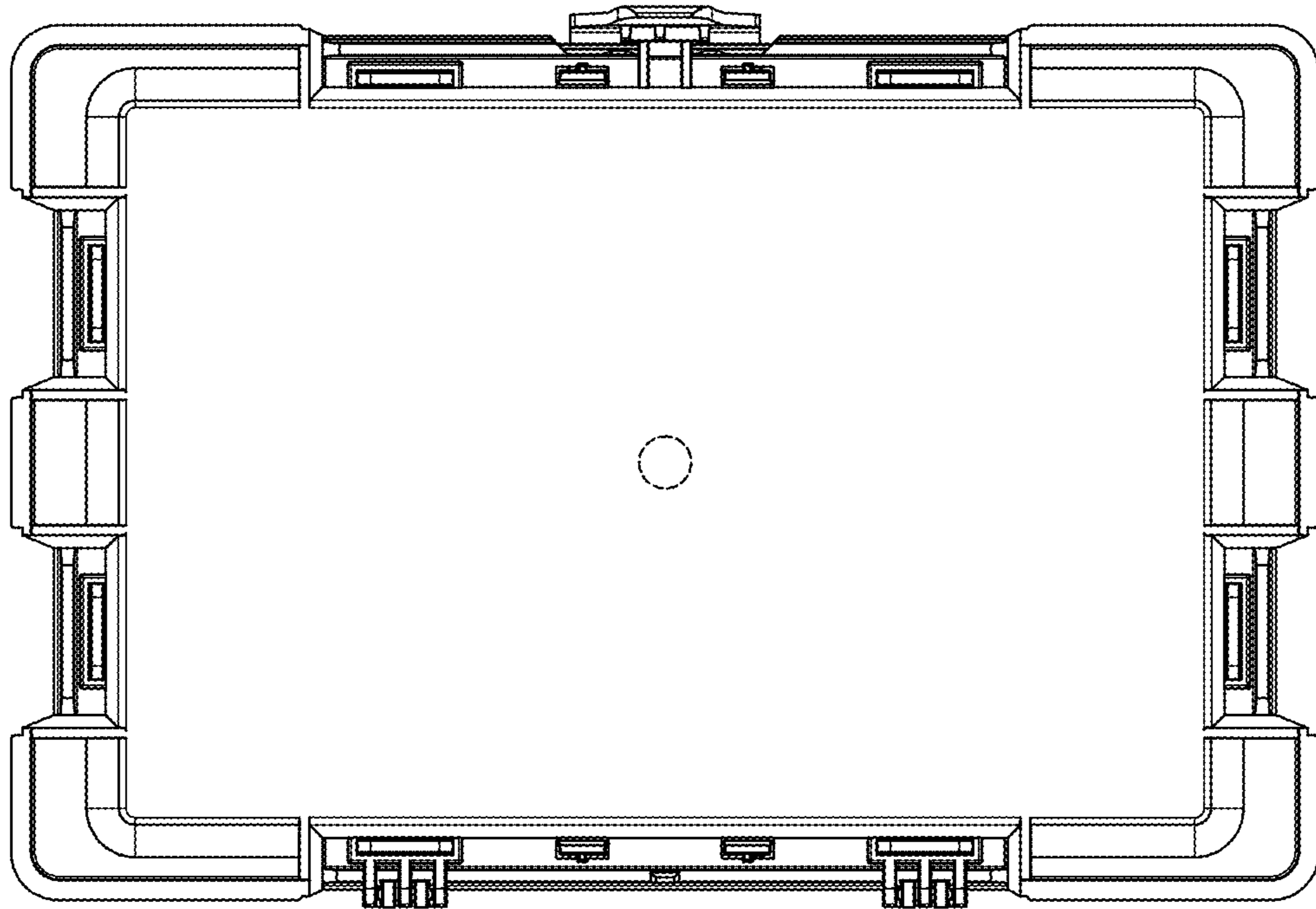


FIG. 7

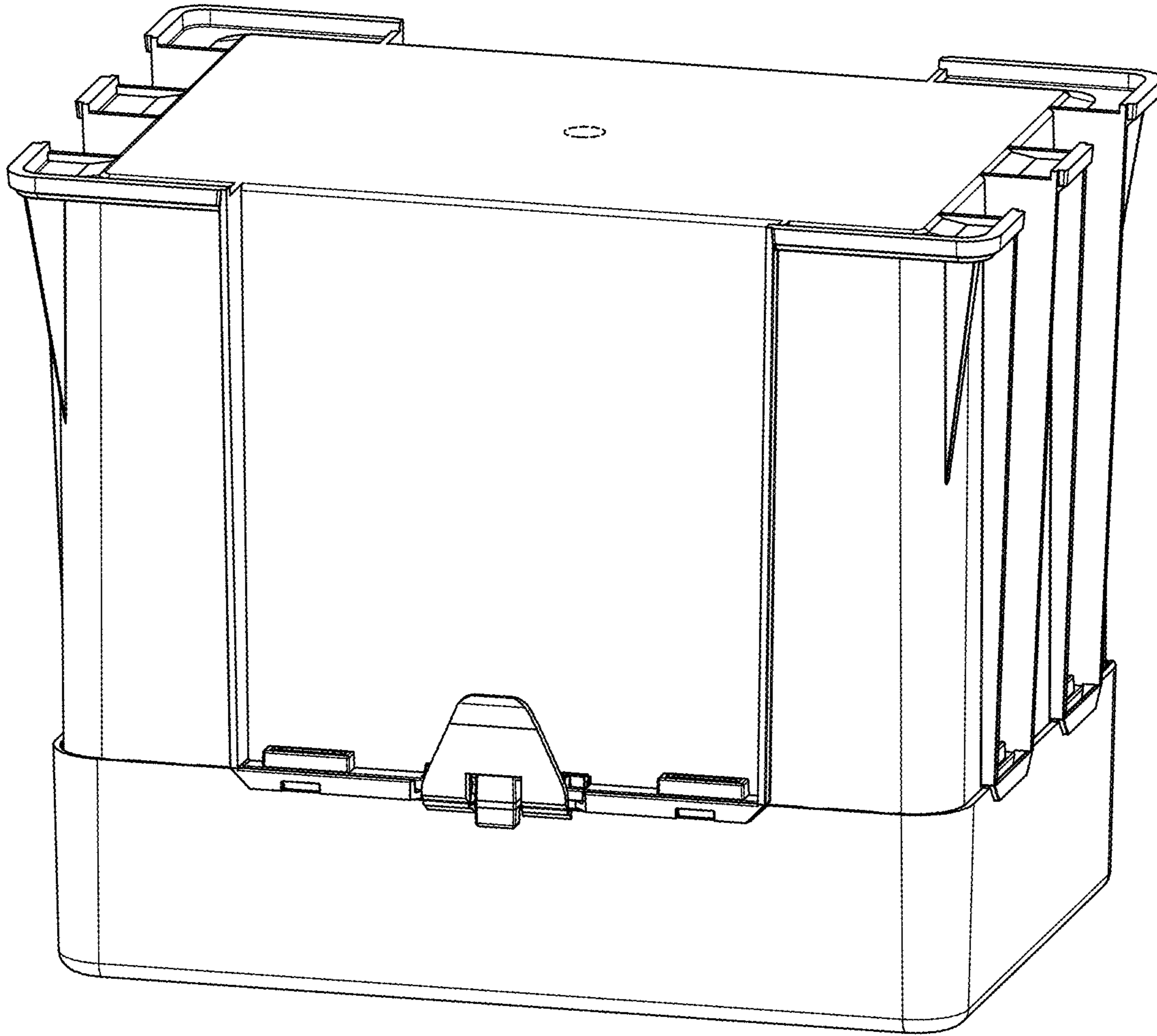


FIG. 8