



US00D886318S

(12) **United States Design Patent** (10) **Patent No.:** **US D886,318 S**
Tsuyama (45) **Date of Patent:** **** Jun. 2, 2020**

(54) **EJACULATION PROMOTION APPARATUS STORAGE CONTAINER**

(71) Applicant: **TENGA CO., LTD.**, Tokyo (JP)

(72) Inventor: **Kai Tsuyama**, Tokyo (JP)

(73) Assignee: **TENGA CO., LTD.**, Minato-Ku (JP)

(**) Term: **15 Years**

(21) Appl. No.: **35/506,283**

(22) Filed: **Jul. 4, 2018**

(80) **Hague Agreement Data**

Int. Filing Date: **Jul. 4, 2018**

Int. Reg. No.: **DM/102562**

Int. Reg. Date: **Jul. 4, 2018**

Int. Reg. Pub. Date: **Jan. 4, 2019**

(30) **Foreign Application Priority Data**

Jun. 15, 2018 (JP) 2018-13243

(51) **LOC (12) Cl.** **28-03**

(52) **U.S. Cl.**
USPC **D24/215; D9/428**

(58) **Field of Classification Search**

USPC D24/133, 188, 200, 211, 212, 213, 214,
D24/215; D28/91.1; D9/723, 726, 727,
D9/428, 454, 439; D4/100, 102

CPC A61H 2201/0153; A61H 7/007; A61H
15/0085; A61H 2015/0014; A61H 7/005;
A61B 17/1325; A61F 7/00

See application file for complete search history.

(56) **References Cited**

U.S. PATENT DOCUMENTS

D652,945 S * 1/2012 Chen D24/215
D675,331 S * 1/2013 Matsuura D24/215

D689,155 S * 9/2013 Jahns D21/692
D693,934 S * 11/2013 Lin D24/215
D694,896 S * 12/2013 Tai D24/215
D733,903 S * 7/2015 Tong D24/215
D757,870 S * 5/2016 Leslie D21/693
D797,951 S * 9/2017 Miklavc D24/215
D804,048 S * 11/2017 Winkley D24/215
D824,586 S * 7/2018 Fornarelli D27/194
D827,449 S * 9/2018 Roesler D9/711
D827,849 S * 9/2018 Marshall D24/215
D837,996 S * 1/2019 Sugimoto D24/215
D842,823 S * 3/2019 Okajima D13/182
D843,592 S * 3/2019 Tsuyama D24/215
D852,375 S * 6/2019 Druga, Sr. D24/224

OTHER PUBLICATIONS

Tenga Spinner Cup https://www.amazon.com/TENGA-Masturbator-Reusable-Masturber-SPN-002/product-reviews/B07F7FNPC7/ref=cm_cr_getr_d_paging_btm_next_9?ie=UTF8&reviewerType=all_reviews&sortBy=recent&pageNumber=9 Oct. 22, 2018 (Year: 2018).*

* cited by examiner

Primary Examiner — Samantha Q Lawrence

(74) *Attorney, Agent, or Firm* — Masuvalley & Partners

(57) **CLAIM**

The ornamental design for an ejaculation promotion apparatus storage container, as shown and described.

DESCRIPTION

Figure 1.1 is a perspective view of an ejaculation promotion apparatus storage container;

Figure 1.2 is a front view thereof;

Figure 1.3 is a back view thereof;

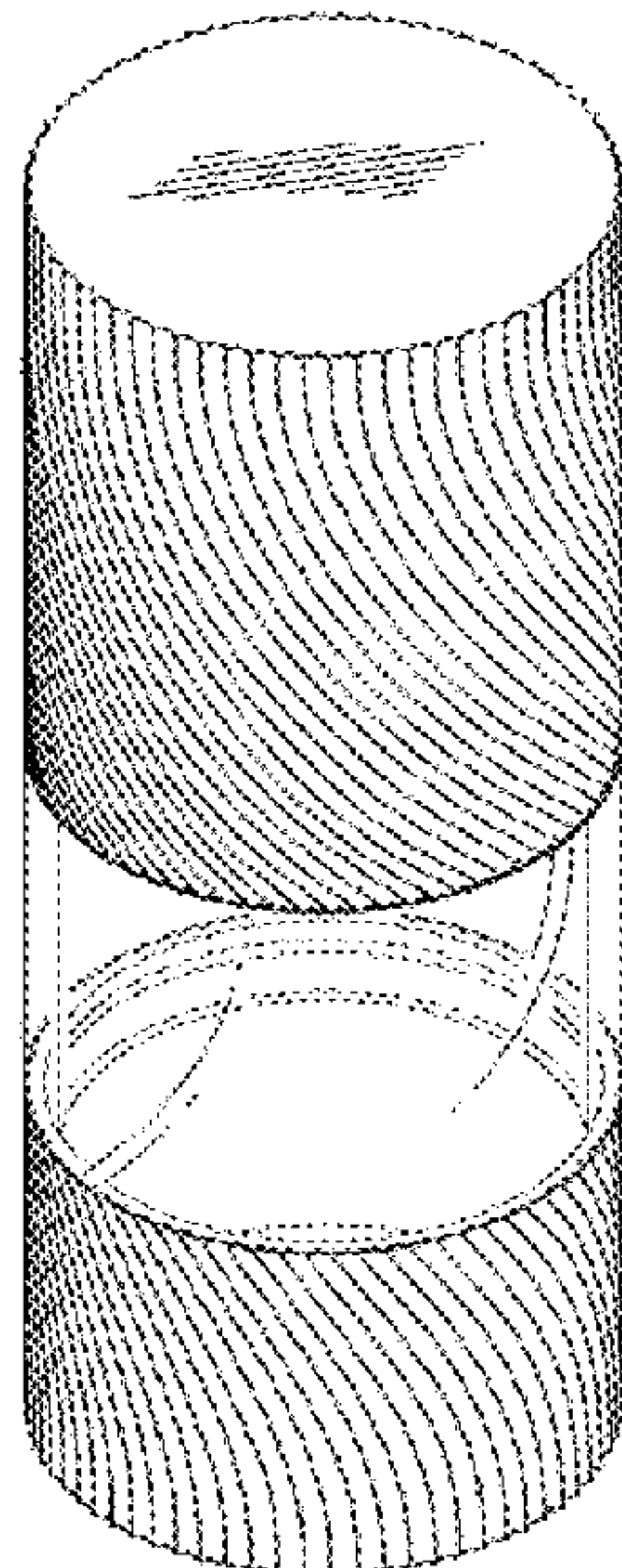
Figure 1.4 is a left side view thereof;

Figure 1.5 is a right side view thereof;

Figure 1.6 is a top view thereof; and

Figure 1.7 is a bottom view thereof.

1 Claim, 7 Drawing Sheets



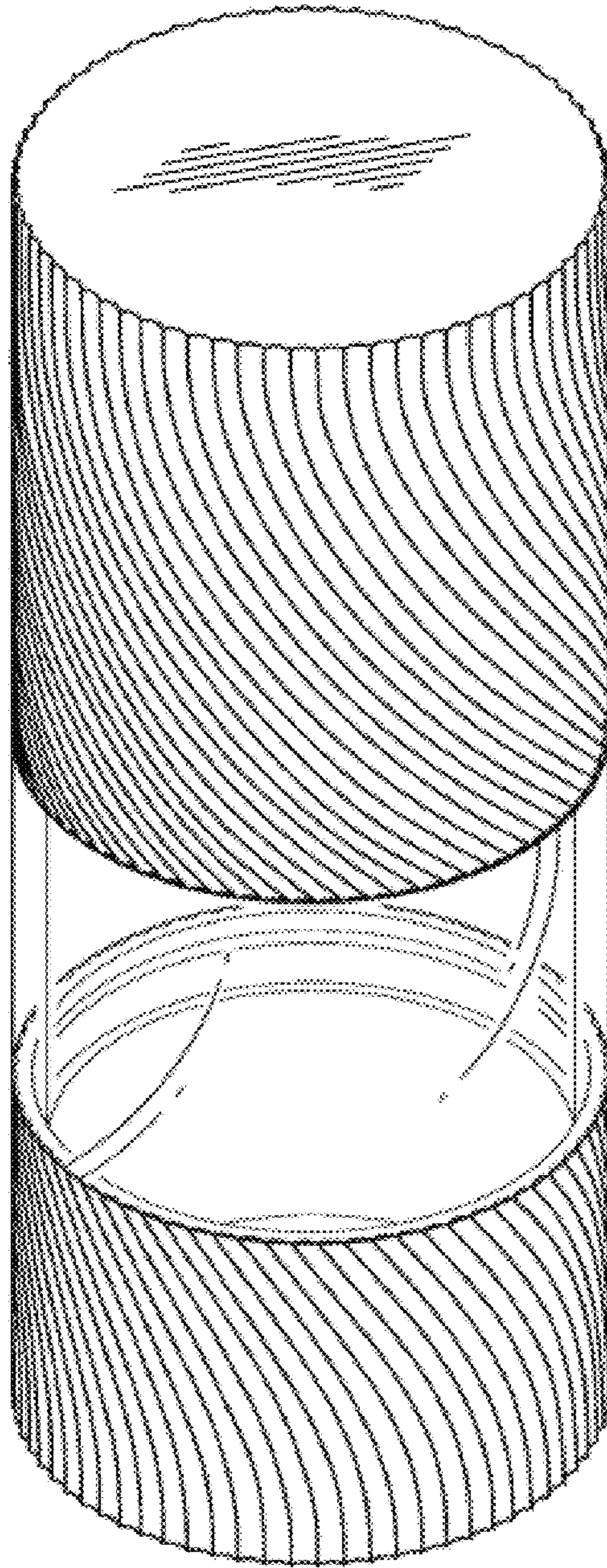


FIG. 1.1

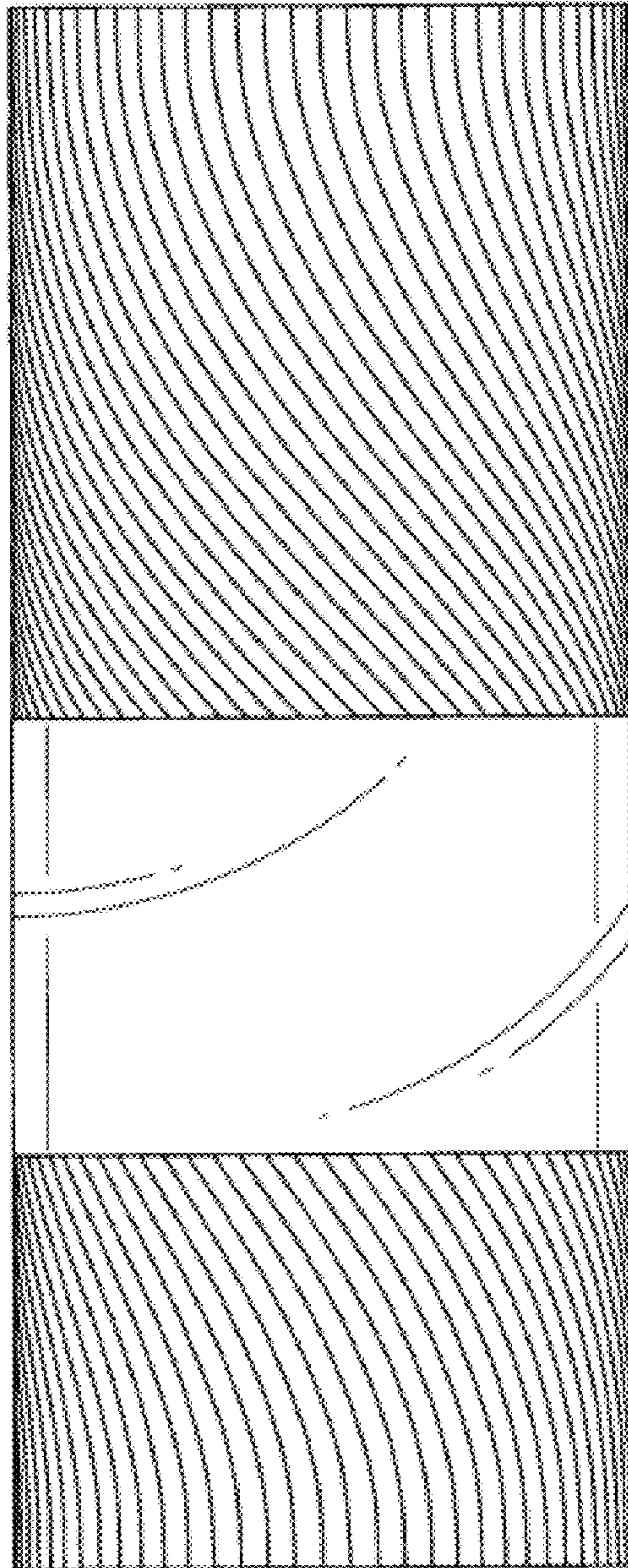


FIG. 1.2

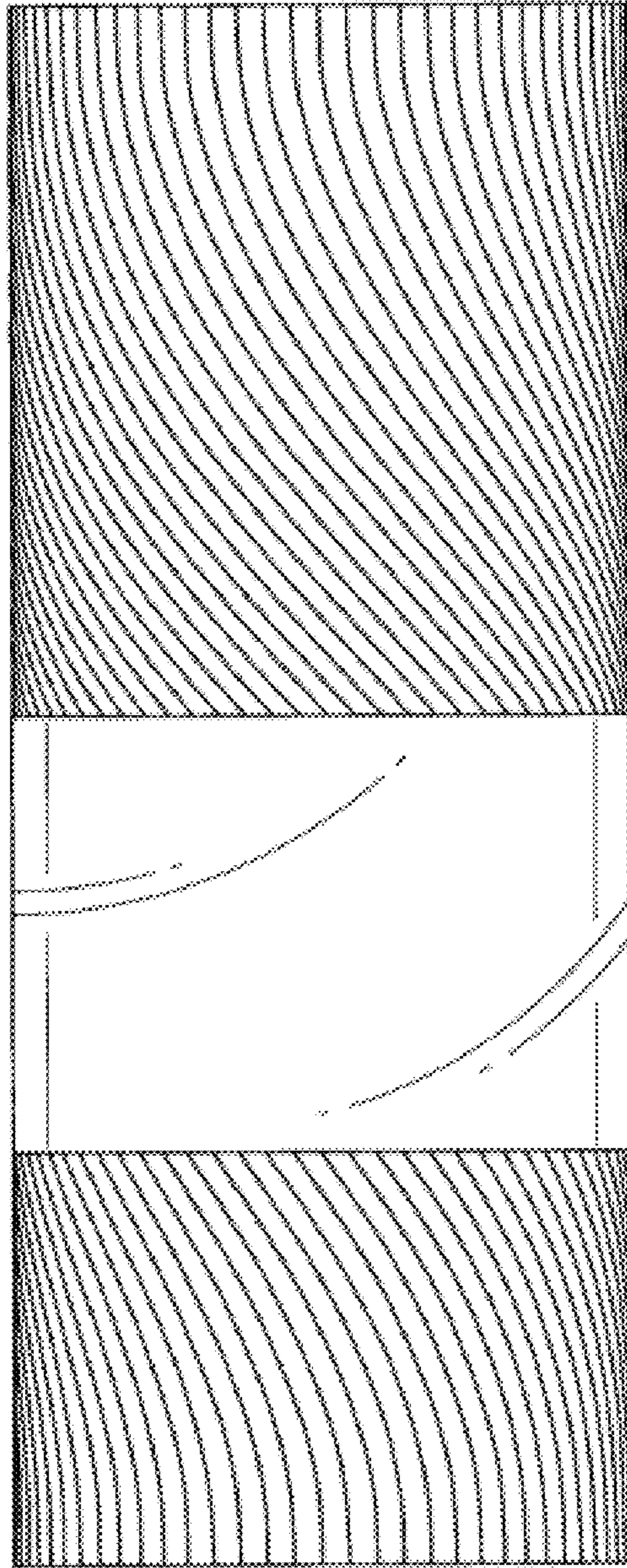


FIG. 1.3

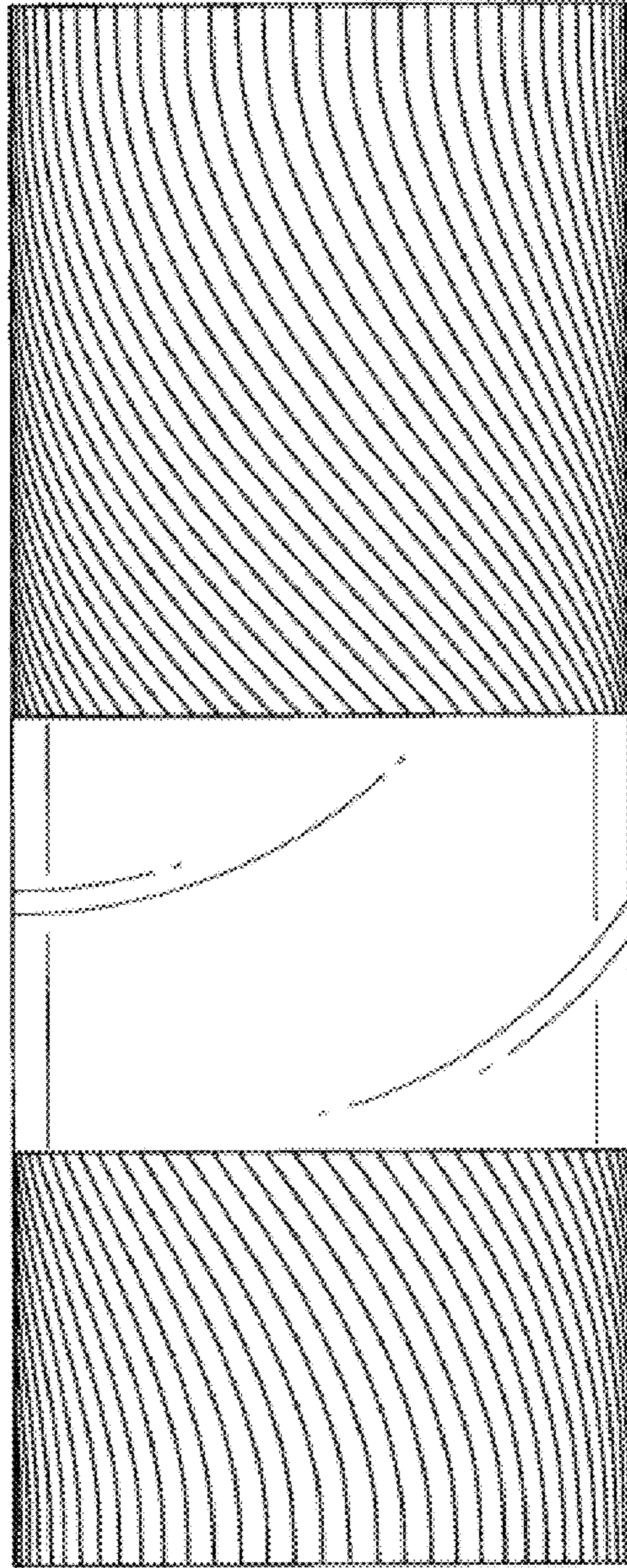


FIG. 1.4

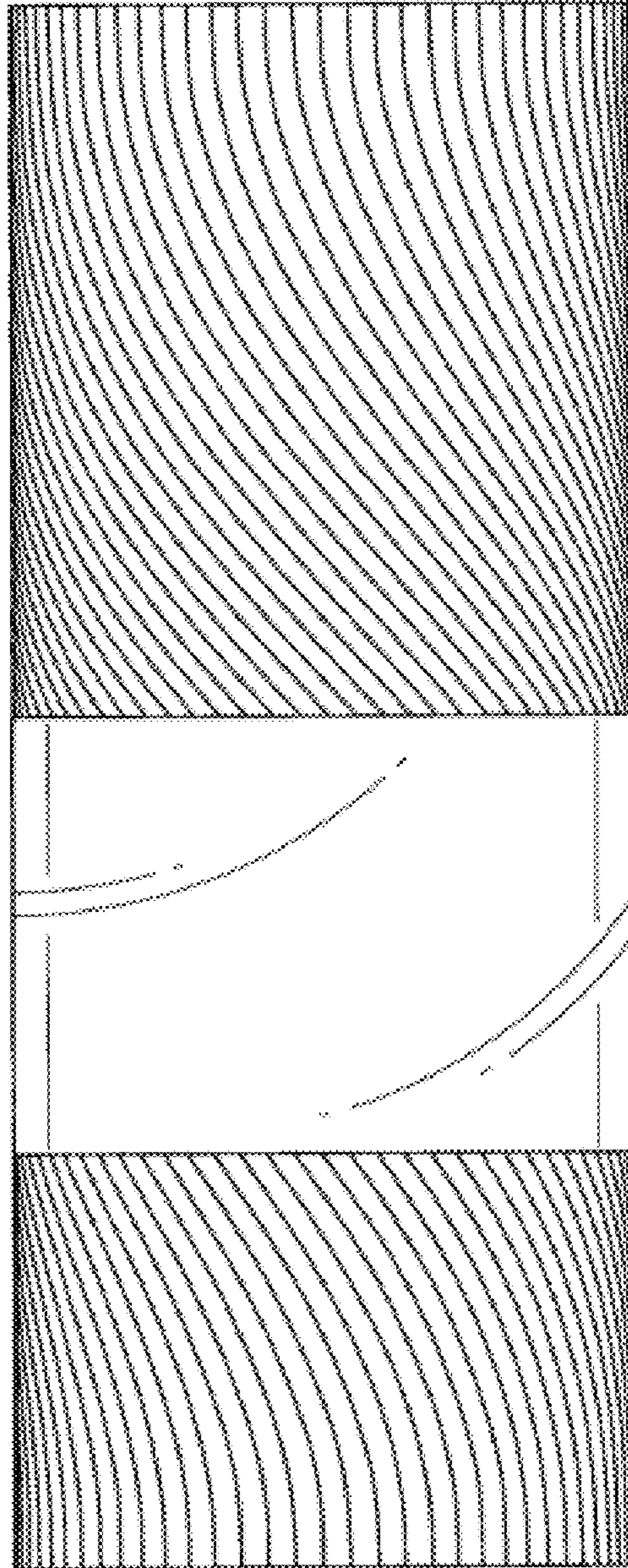


FIG. 1.5

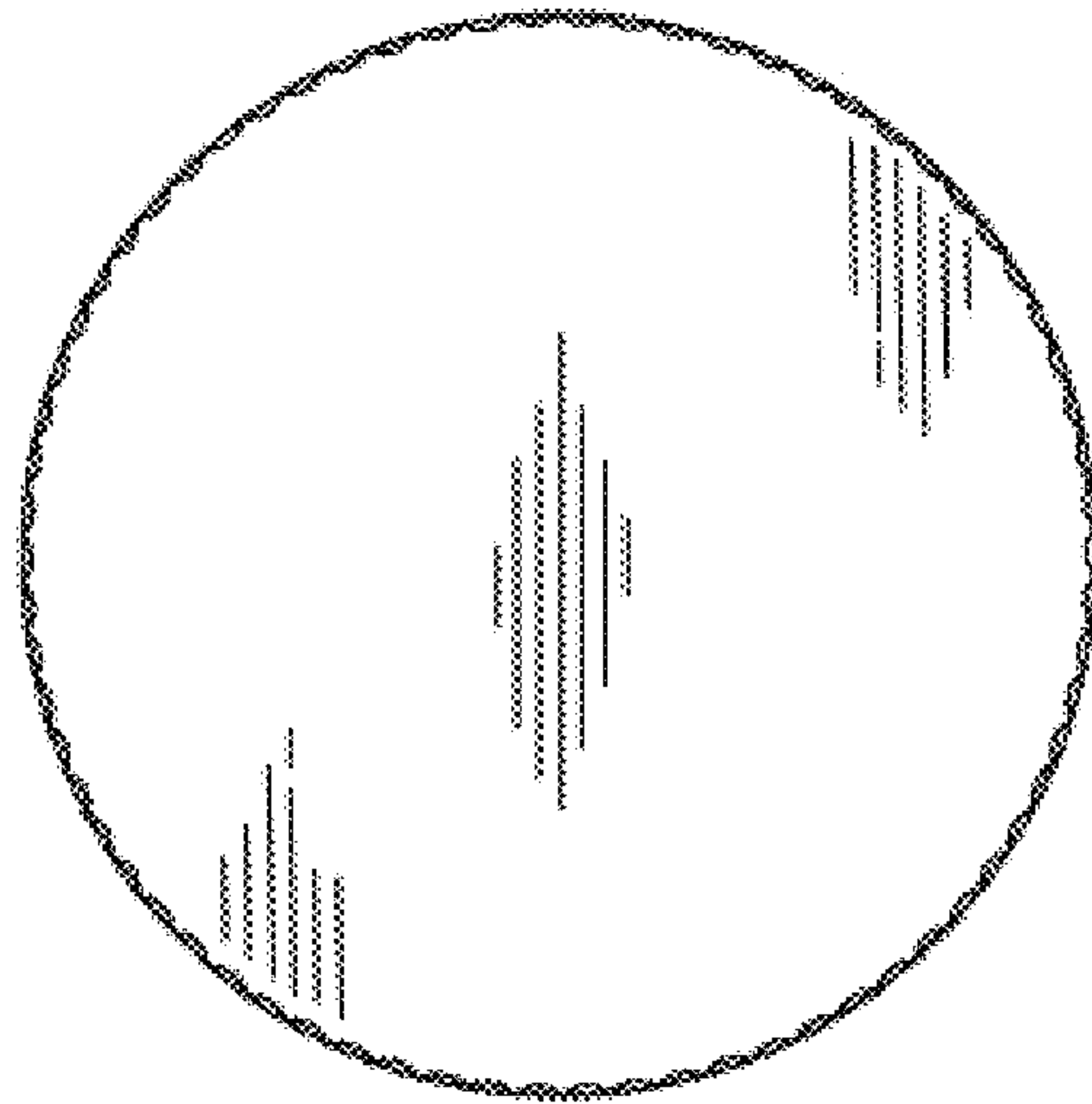


FIG. 1.6

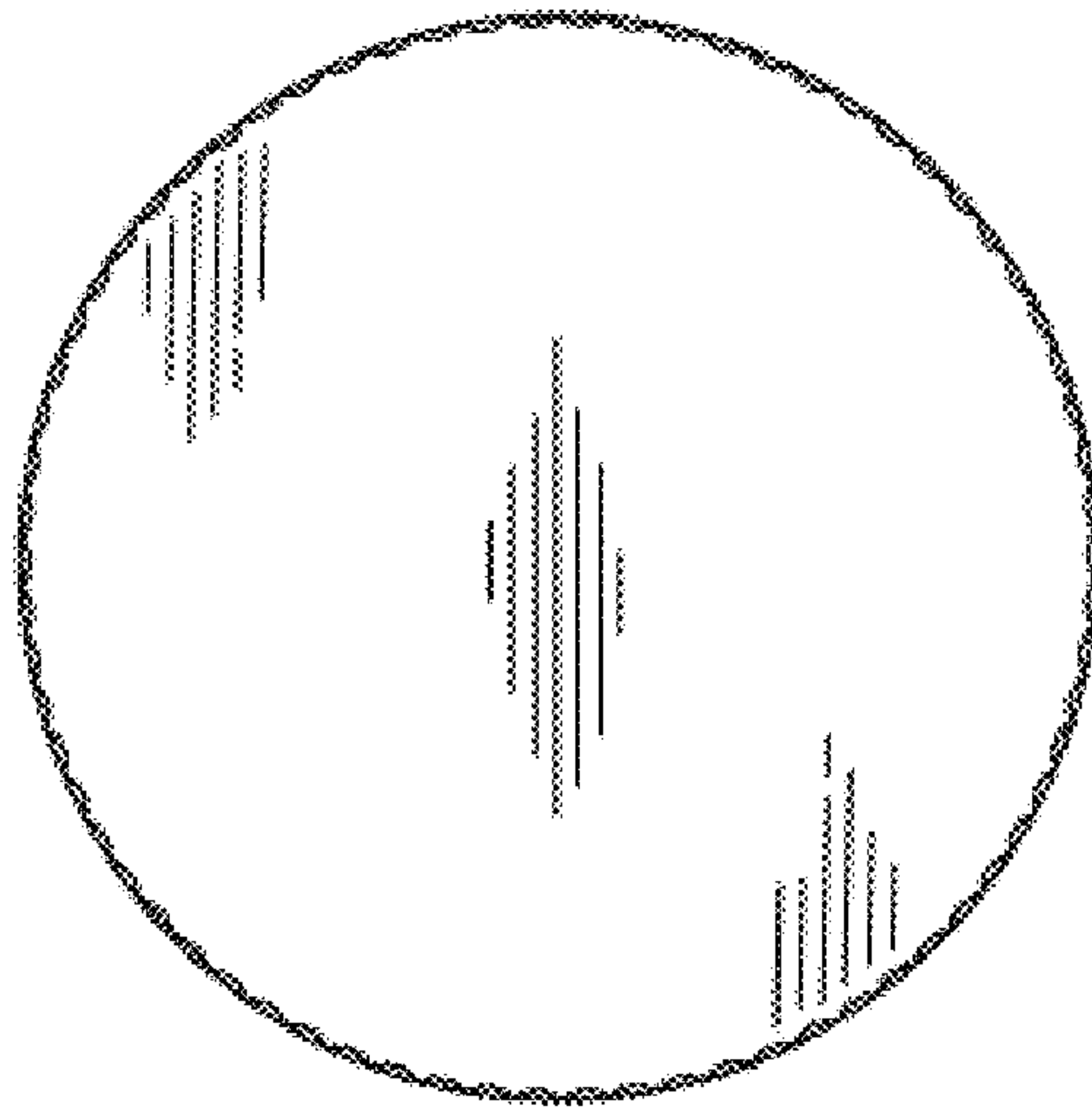


FIG. 1.7