



US00D886317S

(12) **United States Design Patent** (10) **Patent No.:** **US D886,317 S**
Marton et al. (45) **Date of Patent:** **** Jun. 2, 2020**

(54) **PERCUSSIVE MASSAGE DEVICE**

(71) Applicant: **Hyper Ice, Inc.**, Irvine, CA (US)

(72) Inventors: **Robert Marton**, Yorba Linda, CA (US); **Anthony Katz**, Laguna Niguel, CA (US)

(73) Assignee: **Hyper Ice, Inc.**, Irvine, CA (US)

(**) Term: **15 Years**

(21) Appl. No.: **29/716,546**

(22) Filed: **Dec. 10, 2019**

Related U.S. Application Data

(60) Continuation of application No. 29/690,791, filed on May 10, 2019, now Pat. No. Des. 874,015, which is a division of application No. 29/637,855, filed on Feb. 22, 2018, now Pat. No. Des. 855,822.

(51) **LOC (12) Cl.** **28-03**

(52) **U.S. Cl.**
USPC **D24/215**

(58) **Field of Classification Search**
USPC D24/133, 200, 211, 212, 213, 214, 215;
D8/14.1
CPC .. A61H 23/0254; A61H 1/008; A61H 23/006;
A61H 7/007
See application file for complete search history.

(56) **References Cited**

U.S. PATENT DOCUMENTS

- 1,594,636 A * 8/1926 Smith A61H 23/02
601/154
- 1,784,301 A * 12/1930 Mekler A61H 9/005
601/112
- 3,968,789 A * 7/1976 Simoncini A46B 13/04
601/95
- 4,691,693 A * 9/1987 Sato A61H 7/003
601/15
- 4,989,613 A * 2/1991 Finkenberg A61B 5/4504
600/552

- D323,034 S 1/1992 Reinstein
- D329,291 S 9/1992 Wollman
- D329,292 S 9/1992 Wollman
- D331,467 S * 12/1992 Wollman D24/200
- D335,073 S 4/1993 Anthony et al.
- D378,338 S 3/1997 Acciville et al.
- D388,175 S 12/1997 Lie
- D403,220 S 12/1998 Kimata et al.
- D407,498 S 3/1999 Cooper

(Continued)

OTHER PUBLICATIONS

Amazon, "Hyperice Portable Massage Device", Sep. 7, 2018. http://www.amazon.com/Hyperice_Hypervolt-Portable-Massage-Device/dp/B07BDLGRTN/ref=sr_1_3?crd=ZKGGJ454VRAV9&keywords=hyperice+portable+massage+device&qid=1553098&s=gateway&sprefix=hyperice+portable+%2Caps%2C122&sr=8-3. Shown on p. 1. (Year: 2018).

Primary Examiner — Cynthia Ramirez
Assistant Examiner — Michael A Maharajh
(74) *Attorney, Agent, or Firm* — Patterson Intellectual Property Law, P.C.; Jerry Turner Sewell

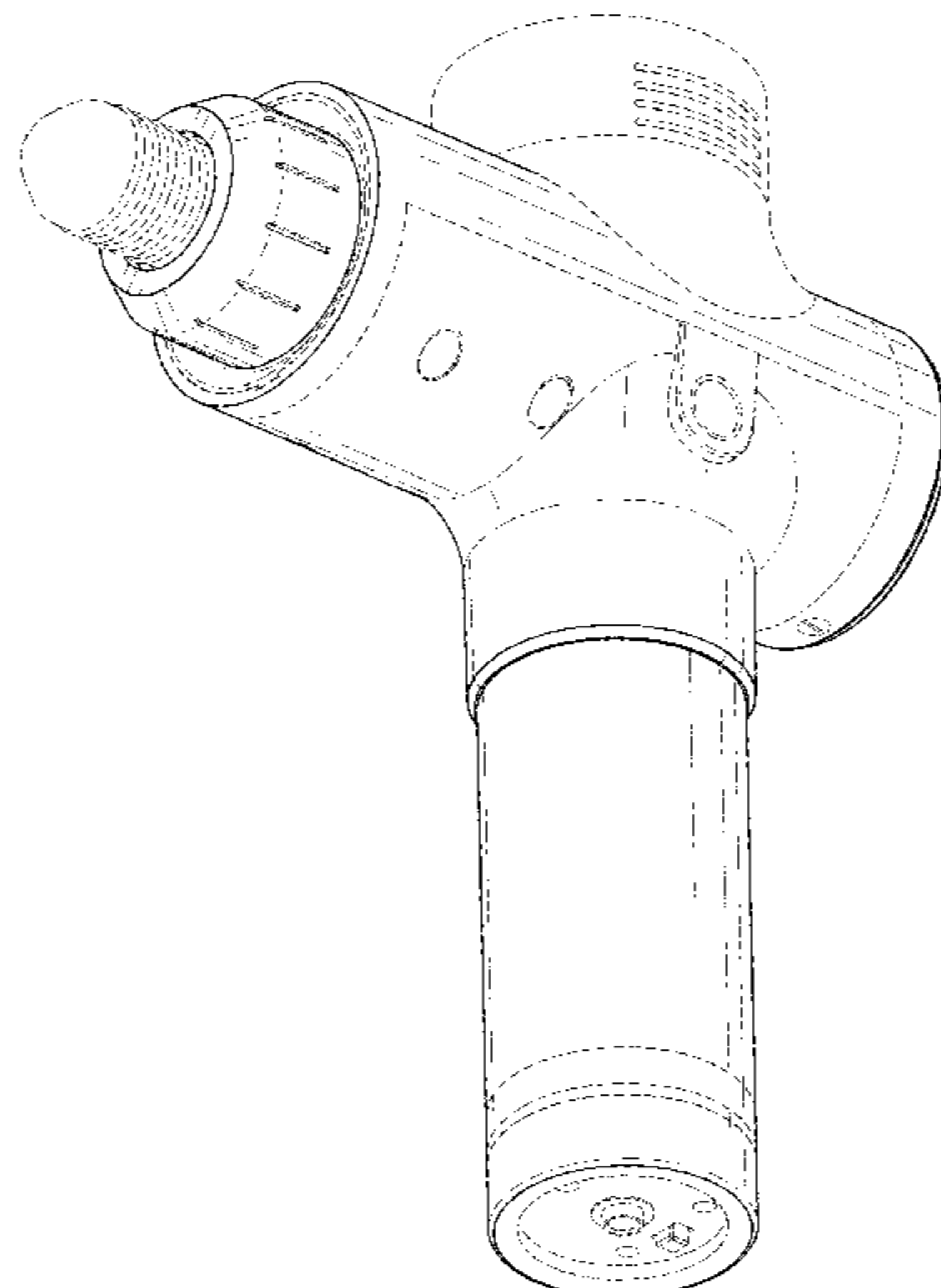
(57) **CLAIM**

The ornamental design for a "percussive massage device," as shown and described.

DESCRIPTION

FIG. 1 is a front perspective view of a percussive massage device, showing our new design;
FIG. 2 is a rear perspective view thereof;
FIG. 3 is a left side view thereof;
FIG. 4 is a right side view thereof;
FIG. 5 is a rear view thereof;
FIG. 6 is a front view thereof;
FIG. 7 is a bottom view thereof; and,
FIG. 8 is a top view thereof.
The broken lines in the drawings are for the purposes of illustrating portions of the percussive massage device, which form no part of the claimed design.

1 Claim, 4 Drawing Sheets



(56)

References Cited

U.S. PATENT DOCUMENTS

5,925,002 A *	7/1999	Wollman	A61H 23/0263	D843,656 S *	3/2019	Zhang	D28/44.1
				601/46	D844,896 S *	4/2019	Levi	D28/44.1
D430,938 S *	9/2000	Lee	D24/214	D847,362 S	4/2019	Tang		
D448,852 S *	10/2001	Engelen	D24/215	D847,364 S *	4/2019	Lee	D24/215
D449,892 S	10/2001	Lie			D847,990 S *	5/2019	Kimball	D24/145
6,401,289 B1 *	6/2002	Herbert	A61H 7/005	D848,013 S	5/2019	Fuhner et al.		
				15/97.1	10,314,762 B1	6/2019	Marton et al.		
D471,986 S	3/2003	Lie			10,357,425 B2 *	7/2019	Wersland	A61H 15/0085
6,581,596 B1	6/2003	Truitt et al.			D855,822 S	8/2019	Marton et al.		
D476,746 S *	7/2003	Harris	D24/214	10,492,984 B2 *	12/2019	Marton	A61H 1/00
6,682,496 B1	1/2004	Pivaroff			D874,015 S *	1/2020	Marton	D24/215
D487,219 S	3/2004	Chudy et al.			2002/0177795 A1 *	11/2002	Frye	A61H 1/008
D526,417 S	8/2006	Masuda							601/84
D531,733 S *	11/2006	Burout, III	D24/215	2002/0188233 A1 *	12/2002	Denyes	A61H 19/34
D553,252 S *	10/2007	Masuda	D24/214					601/46
D583,639 S	12/2008	Axinte et al.			2003/0195443 A1 *	10/2003	Miller	A61H 1/008
D606,192 S *	12/2009	Summerer	D24/133					601/108
D627,035 S	11/2010	Evar			2005/0113725 A1	5/2005	Masuda		
D649,657 S *	11/2011	Petersen	D24/215	2005/0131461 A1 *	6/2005	Tucek	A61H 1/008
D658,759 S *	5/2012	Marescaux	D24/133					606/239
8,435,194 B2 *	5/2013	Dverin	A61B 18/14	2006/0116614 A1 *	6/2006	Jones	A61H 15/0085
				601/112					601/80
D703,337 S	4/2014	Fuhr et al.			2006/0211961 A1 *	9/2006	Meyer	A61H 7/005
D706,433 S	6/2014	Fuhr et al.							601/73
D708,742 S *	7/2014	Dallemagne	D24/133	2010/0145242 A1 *	6/2010	Tsai	A61H 7/004
D725,978 S	4/2015	Uematsu et al.							601/108
D734,863 S *	7/2015	Hennessey	D24/214	2010/0160841 A1 *	6/2010	Wu	A61H 7/004
D735,348 S *	7/2015	Hennessey	D24/211					601/135
D738,516 S	9/2015	Karim			2010/0274162 A1	10/2010	Evans		
D757,953 S	5/2016	Philips			2010/0312156 A1	12/2010	Wu		
D759,237 S *	6/2016	Heath	D24/133	2011/0009783 A1	1/2011	Dverin et al.		
D759,238 S *	6/2016	Heath	D24/133	2012/0197357 A1 *	8/2012	Dewey	A61B 18/203
D759,831 S	6/2016	Levi et al.							607/89
D763,442 S *	8/2016	Price	D24/133	2013/0030506 A1 *	1/2013	Bartolone	A61N 5/0616
D778,439 S *	2/2017	Hakansson	D24/133					607/89
9,889,066 B2	2/2018	Danby et al.			2014/0221887 A1 *	8/2014	Wu	A61H 15/0092
D819,221 S *	5/2018	Lei	D24/200					601/112
D823,478 S	7/2018	Park			2015/0119771 A1	4/2015	Roberts		
D825,073 S	8/2018	Lenke			2016/0074641 A1	3/2016	Mehta		
D827,842 S	9/2018	Bainton et al.			2016/0367425 A1	12/2016	Wersland		
D827,843 S	9/2018	Bainton et al.			2017/0304145 A1	10/2017	Pepe		
D837,395 S *	1/2019	Gan	D24/214	2018/0154141 A1 *	6/2018	Ahn	A61H 39/08
D838,378 S	1/2019	Cao			2018/0200141 A1 *	7/2018	Wersland	A61H 1/008
D840,547 S	2/2019	Harle et al.			2018/0361137 A1	12/2018	Kern et al.		
D842,491 S	3/2019	Fleming et al.			2019/0175434 A1 *	6/2019	Zhang	A61H 1/008
					2019/0254921 A1 *	8/2019	Marton	A61H 23/006
					2019/0254922 A1	8/2019	Marton et al.		

* cited by examiner

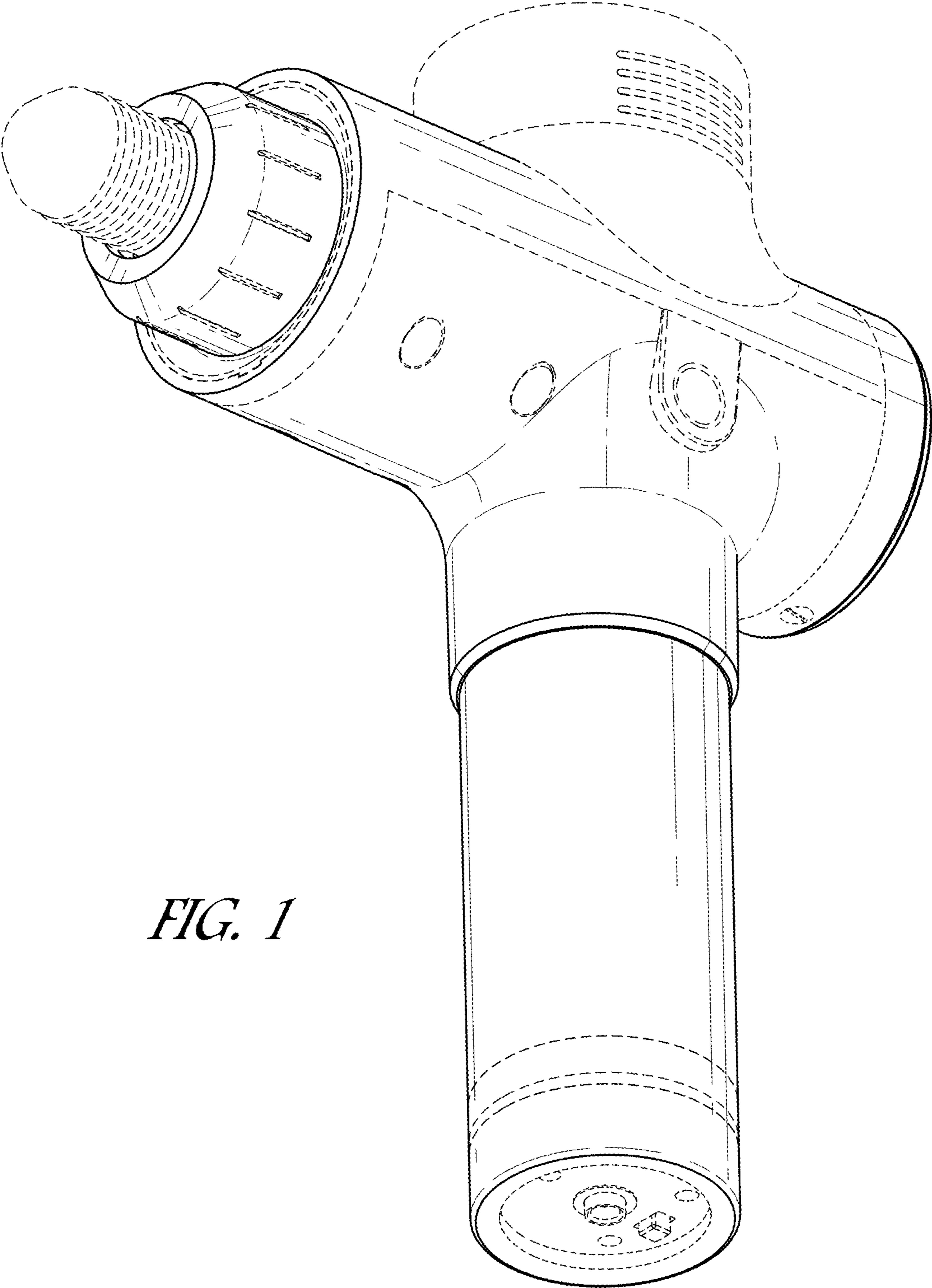


FIG. 1

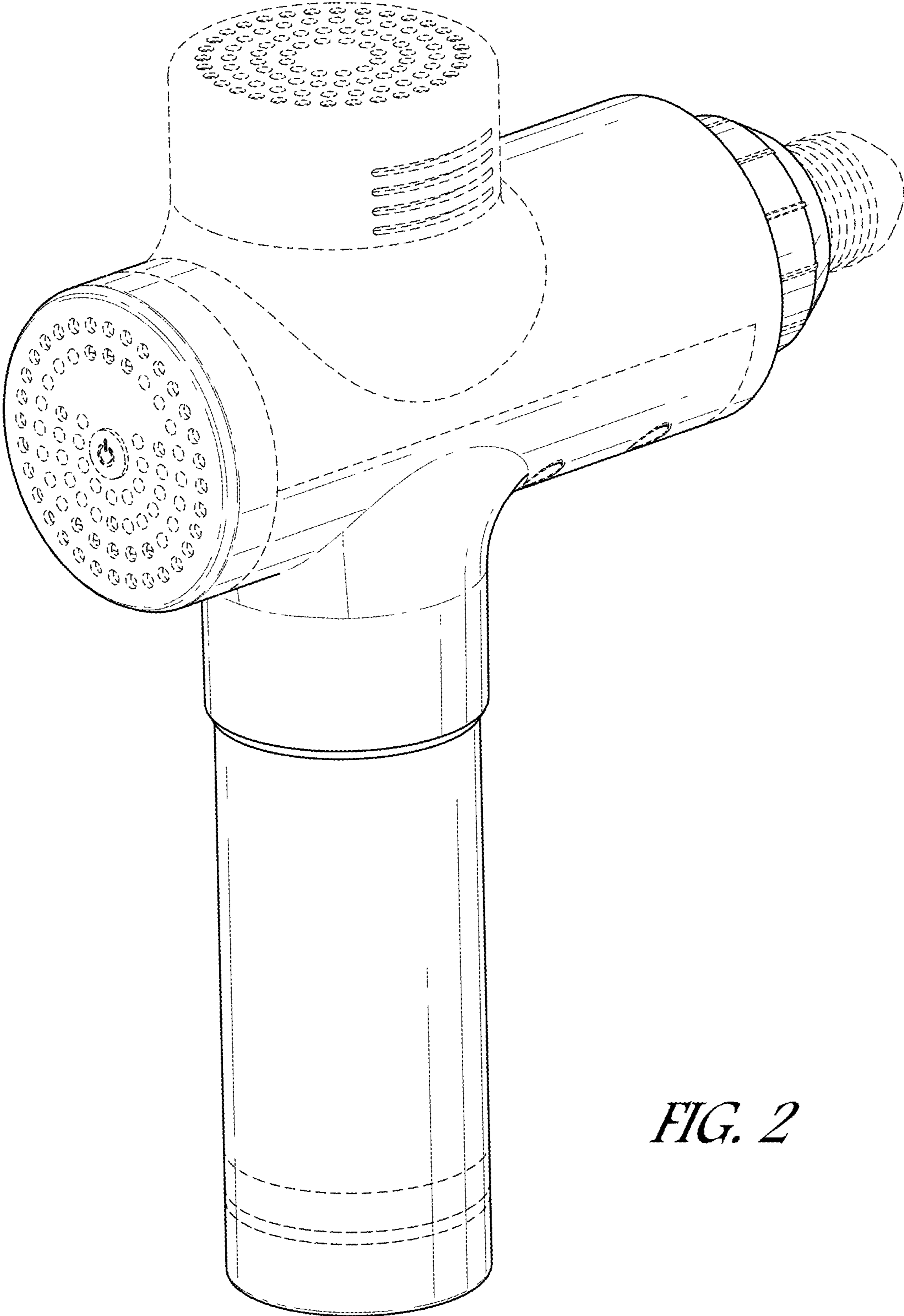


FIG. 2

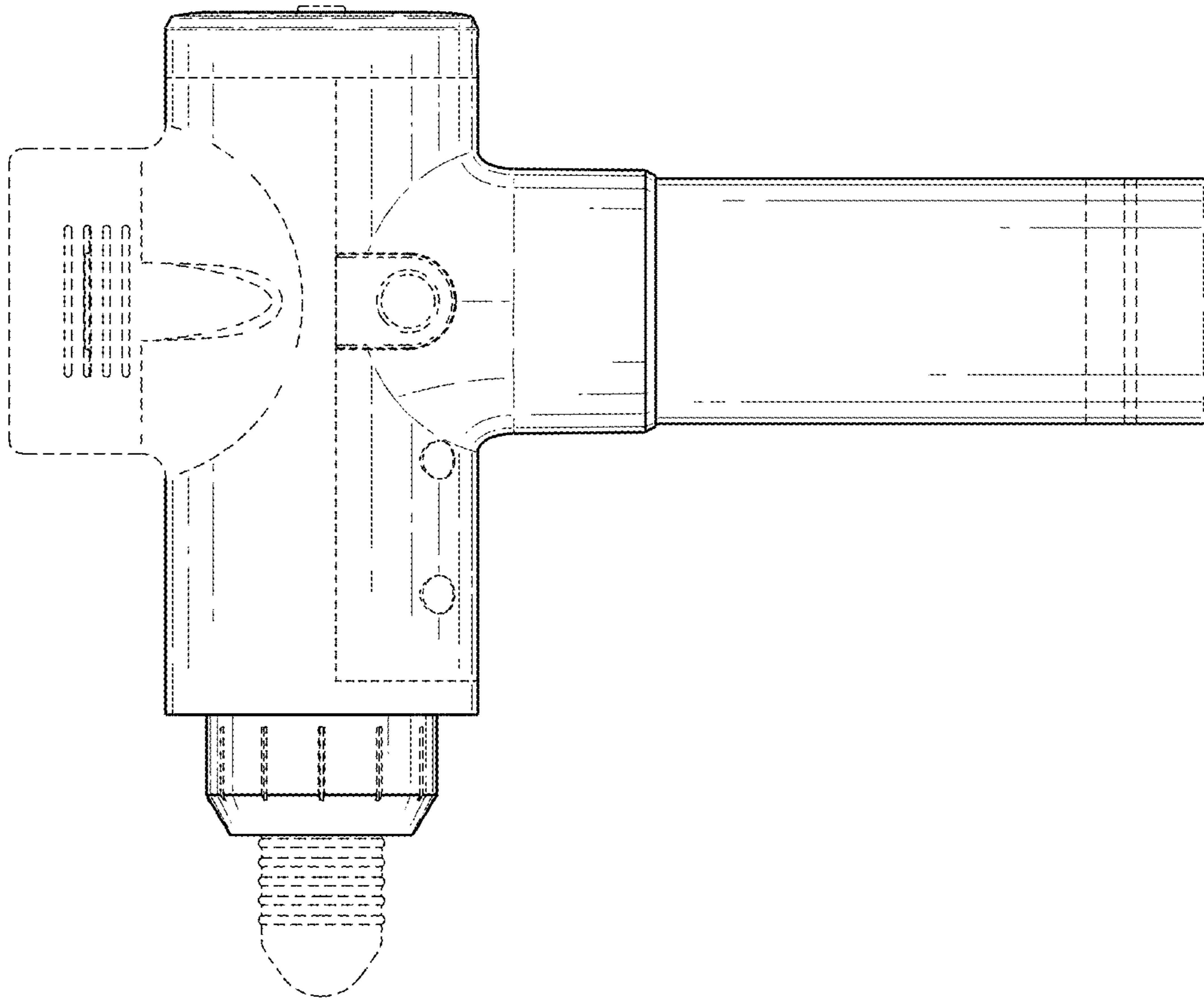


FIG. 4

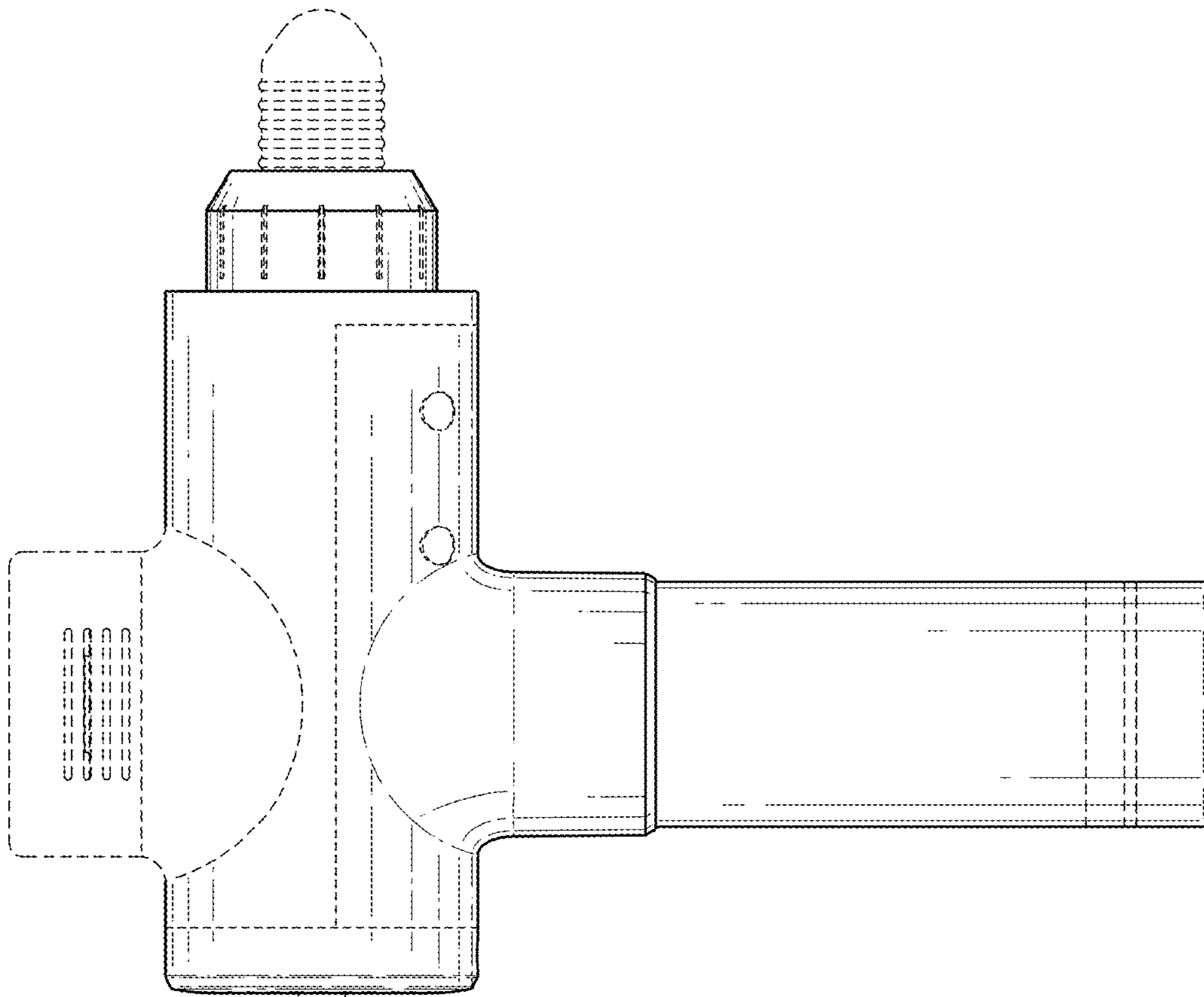


FIG. 3

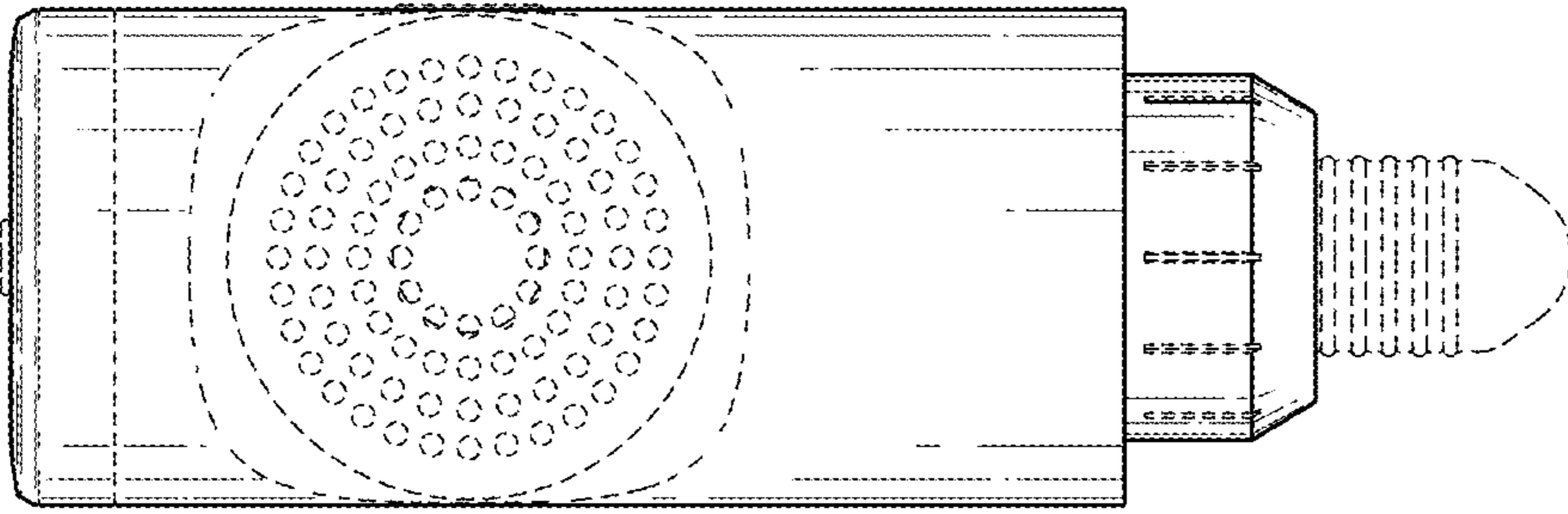


FIG. 8

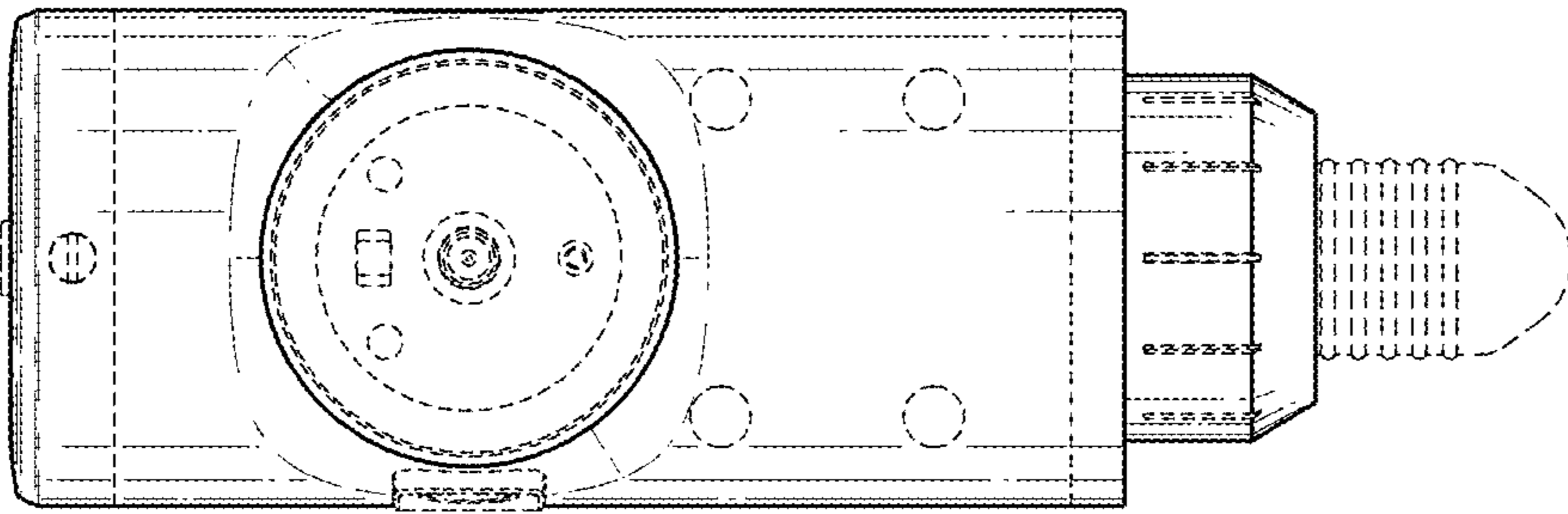


FIG. 7

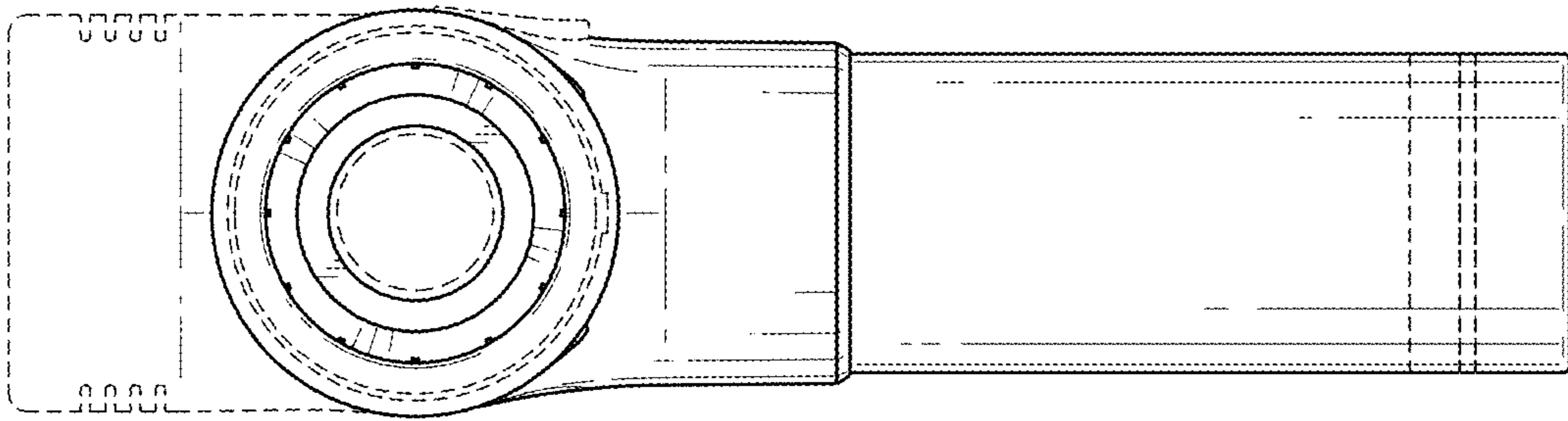


FIG. 6

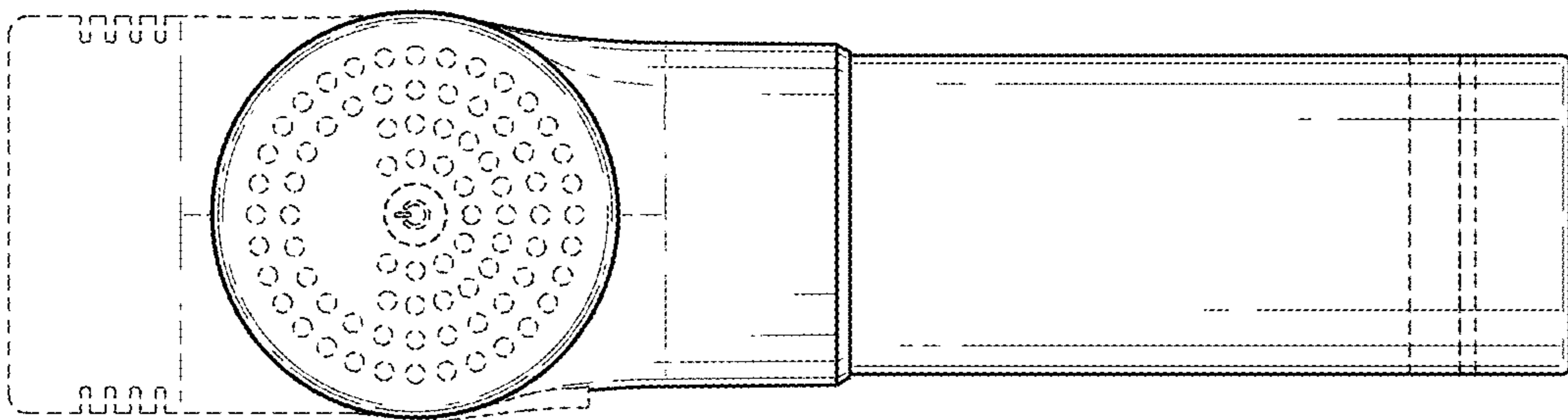


FIG. 5

UNITED STATES PATENT AND TRADEMARK OFFICE
CERTIFICATE OF CORRECTION

PATENT NO. : D886,317 S
APPLICATION NO. : 29/716546
DATED : June 2, 2020
INVENTOR(S) : Robert Marton et al.

Page 1 of 1

It is certified that error appears in the above-identified patent and that said Letters Patent is hereby corrected as shown below:

On the Title Page

Item (72) Inventors is corrected to read:
Robert Marton, Yorba Linda, CA (US);
Anthony Katz, Laguna Niguel, CA (US);
Pascal Olivier Ruelle, Antibes (FR)

Signed and Sealed this
Ninth Day of February, 2021



Drew Hirshfeld
*Performing the Functions and Duties of the
Under Secretary of Commerce for Intellectual Property and
Director of the United States Patent and Trademark Office*