



US00D886316S

(12) **United States Design Patent** (10) **Patent No.:** **US D886,316 S**
Fleming (45) **Date of Patent:** **** Jun. 2, 2020**

(54) **THERAPEUTIC DEVICE FOR LOCALIZED HEADACHE AND PAIN TREATMENT**

(71) Applicant: **David S. Fleming**, Boca Raton, FL (US)

(72) Inventor: **David S. Fleming**, Boca Raton, FL (US)

(**) Term: **15 Years**

(21) Appl. No.: **29/614,138**

(22) Filed: **Aug. 16, 2017**

(51) **LOC (12) Cl.** **28-03**

(52) **U.S. Cl.**
USPC **D24/215**

(58) **Field of Classification Search**

USPC D24/200, 211, 212, 213, 214, 215, 188, D24/191; 601/19, 22, 40, 46, 52, 63, 99, 601/110-113, 118-120, 125, DIG. 12, 601/DIG. 14, DIG. 15, DIG. 16, DIG. 17
CPC A61H 1/00; A61H 2015/0007; A61H 2015/0014; A61H 2015/0042; A61H 15/00; A61H 11/00; A61H 21/00; A61H 37/00

See application file for complete search history.

(56) **References Cited**

U.S. PATENT DOCUMENTS

D82,677 S	12/1930	Heyer
2,836,175 A	5/1958	Takeo
3,625,204 A	12/1971	Sekiguchi
3,645,257 A	2/1972	Nakayam
3,672,355 A	6/1972	Ogawa et al.
3,831,592 A	8/1974	Lancellotti
4,210,134 A	7/1980	Okazaki et al.
4,233,966 A	11/1980	Takahashi
4,479,495 A	10/1984	Isaacson
4,509,521 A	4/1985	Barry

(Continued)

OTHER PUBLICATIONS

Notice of Allowance dated Apr. 3, 2019 in U.S. Appl. No. 29/574,501.

(Continued)

Primary Examiner — Sandra S Snapp

(74) *Attorney, Agent, or Firm* — Pillsbury Winthrop Shaw Pittman LLP

(57) **CLAIM**

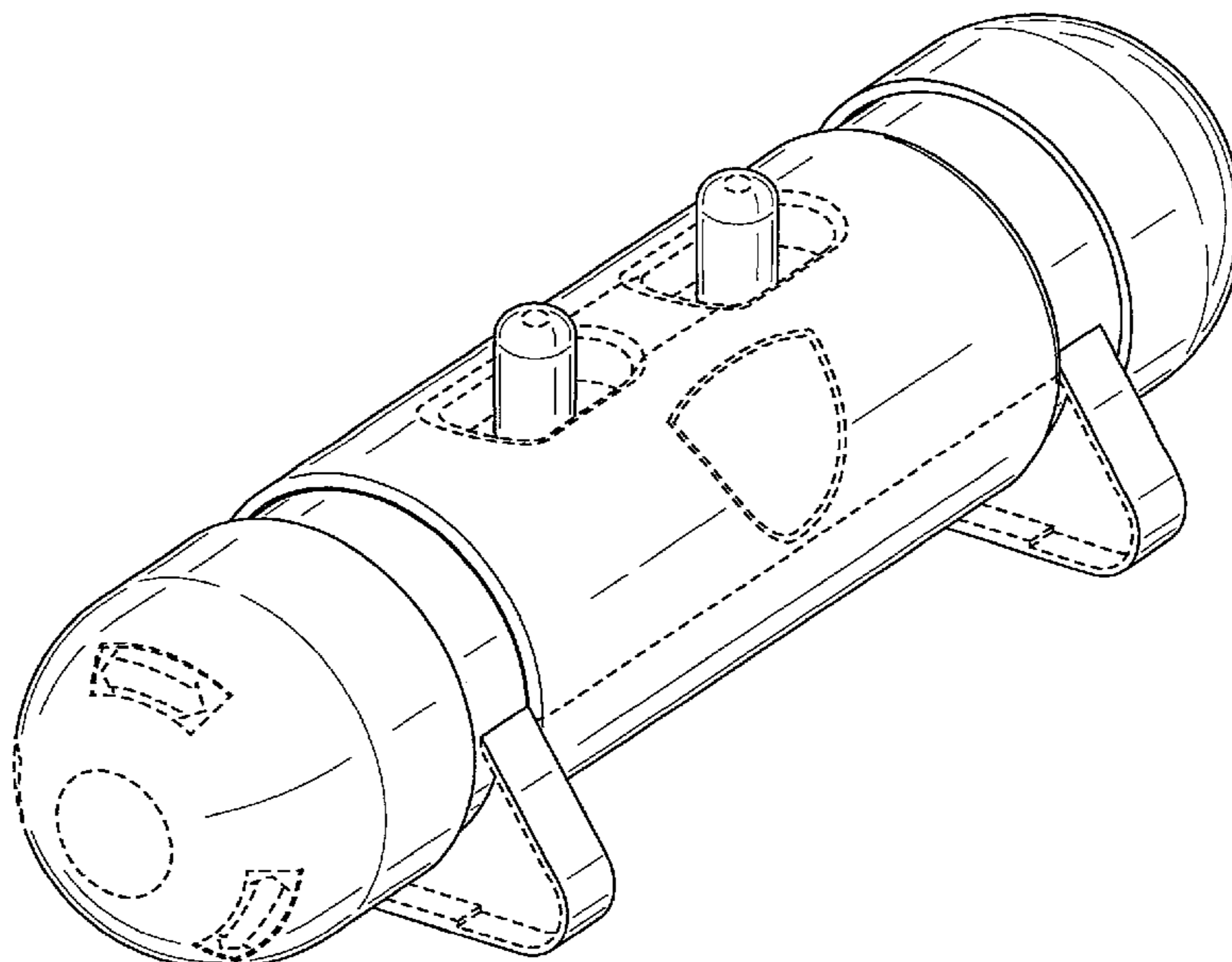
The ornamental design for a therapeutic device for localized headache and pain treatment, as shown and described.

DESCRIPTION

FIG. 1 is a top, left, front perspective view of a first embodiment of a therapeutic device for localized headache and pain treatment embodying my design; FIG. 2 is a front elevation view thereof; FIG. 3 is a back elevation view thereof; FIG. 4 is a left end elevation view thereof; FIG. 5 is a right end elevation view thereof; FIG. 6 is a top plan view thereof; FIG. 7 is a top, right, front perspective view thereof; and FIG. 8 is a bottom, left perspective view thereof. FIG. 9 is a top, left, front perspective view of a second embodiment of a therapeutic device for localized headache and pain treatment embodying my design; FIG. 10 is a front elevation view thereof; FIG. 11 is a back elevation view thereof; FIG. 12 is a left end elevation view thereof; FIG. 13 is a right end elevation view thereof; FIG. 14 is a top plan view thereof; FIG. 15 is a top, right, front perspective view thereof; and, FIG. 16 is a bottom, left perspective view thereof configured for use.

The broken lines depict portions of the therapeutic device for localized headache and pain treatment and form no part of the claimed design.

1 Claim, 14 Drawing Sheets



(56)

References Cited

U.S. PATENT DOCUMENTS

4,944,289 A 7/1990 Matthews
 5,080,090 A * 1/1992 Liao A61H 7/001
 601/134
 D353,008 S 11/1994 Van Harn
 5,405,311 A 4/1995 Pecora et al.
 D359,358 S 6/1995 Pecora
 5,792,174 A 8/1998 Ioan
 5,820,573 A 10/1998 Ramos
 5,843,005 A 12/1998 Chubinsky
 5,899,868 A 5/1999 VandeBerg
 5,913,839 A * 6/1999 Wincek A61H 7/001
 601/115
 5,935,090 A 8/1999 Kennon
 D413,985 S 9/1999 Martin et al.
 6,013,042 A 1/2000 Sakai
 6,182,313 B1 * 2/2001 Eschenbach A47G 9/10
 5/637
 6,217,121 B1 4/2001 Mollet
 6,315,743 B1 11/2001 Guest
 D463,029 S 9/2002 Collins
 6,632,187 B2 10/2003 Bak
 D492,037 S 6/2004 Chien
 6,821,260 B2 11/2004 Fors
 6,945,986 B2 9/2005 Lope
 7,320,668 B1 1/2008 Warder
 7,458,945 B2 12/2008 Zemont
 D586,470 S 2/2009 Warder
 7,732,966 B2 6/2010 Sivasubramaniam et al.
 7,762,966 B1 * 7/2010 Gaines A61H 15/0078
 601/128
 7,998,099 B2 8/2011 Tull et al.
 D646,793 S 10/2011 Wagner

D673,284 S 12/2012 Lowsky
 D694,898 S * 12/2013 Chen D24/215
 D698,934 S 2/2014 Manseau
 D701,613 S 3/2014 Twiggs
 D711,009 S 8/2014 Wong
 8,808,208 B2 * 8/2014 Mouatt A61H 7/001
 482/131
 D719,664 S 12/2014 Riftin et al.
 D726,840 S 4/2015 Lorelli
 9,649,246 B1 5/2017 Johnson
 D788,933 S 6/2017 Sitsihovskiy et al.
 D818,139 S 5/2018 Marshall
 D825,770 S 8/2018 Siemer
 D843,004 S * 3/2019 Lampert D24/215
 D853,575 S * 7/2019 Fleming D24/211
 D866,786 S * 11/2019 Garner D24/215
 D866,789 S * 11/2019 Yamazaki D24/215
 2002/0049469 A1 * 4/2002 Chang A43B 7/146
 606/204
 2005/0187498 A1 * 8/2005 Miller A61H 15/00
 601/72
 2007/0089752 A1 4/2007 Christensen
 2008/0109960 A1 5/2008 Brown et al.
 2015/0110903 A1 4/2015 Khan et al.

OTHER PUBLICATIONS

Hiren, "Most Important Acupressure Points for Headache and Migraine," Acupressure Points Guide, 2014.
 Perry, Philip, "Scientists May Have Discovered What Causes Migraines and a Path Toward a Cure," Jul. 13, 2016.
 Rolyan® Occipital Base Release Board, 1987, Revised Jan. 1990, Jan. 2012, 2 pages, Patterson Medical Products, Inc.

* cited by examiner

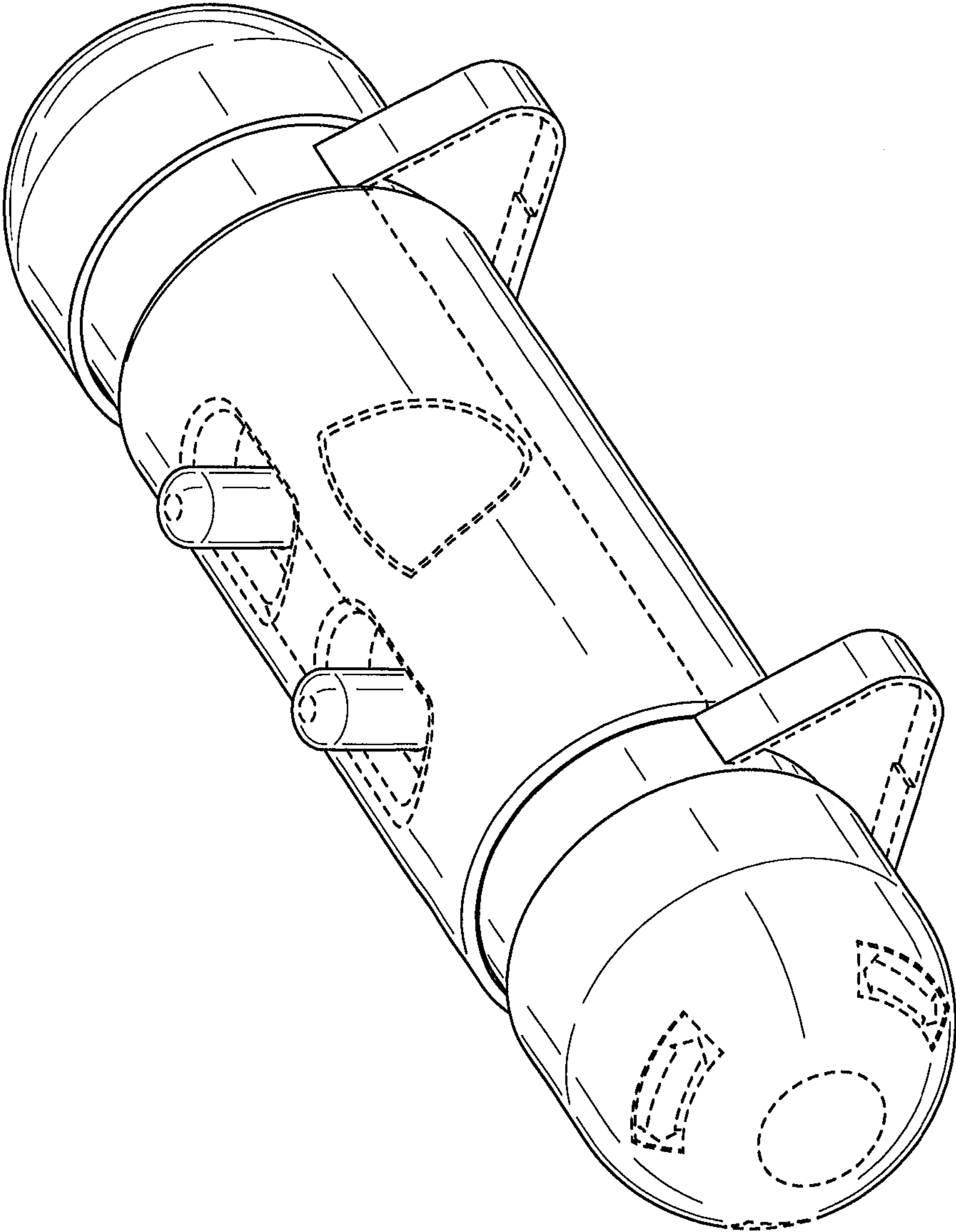


FIG. 1

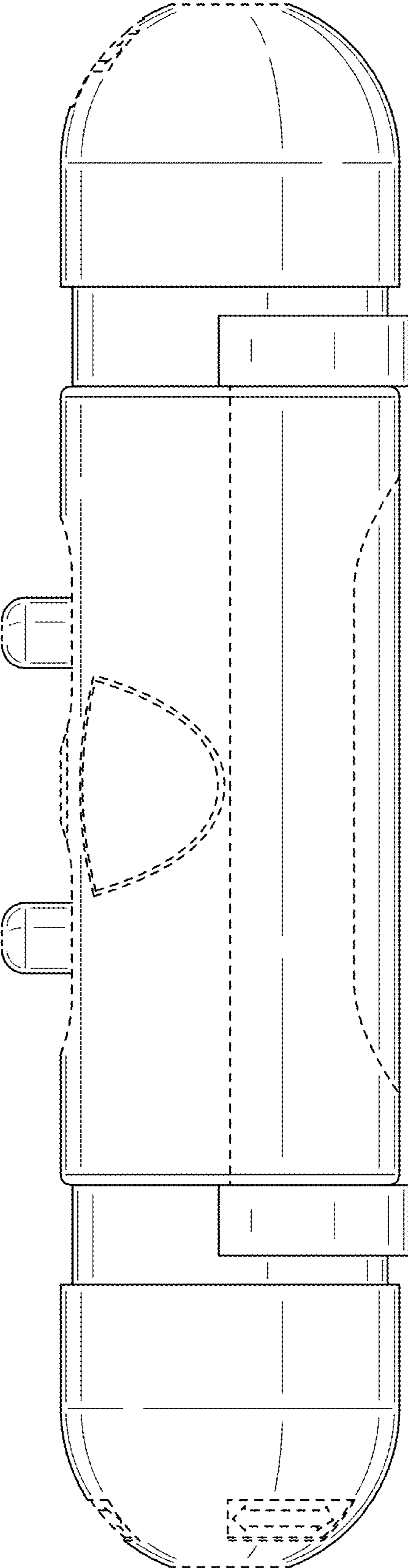


FIG. 2

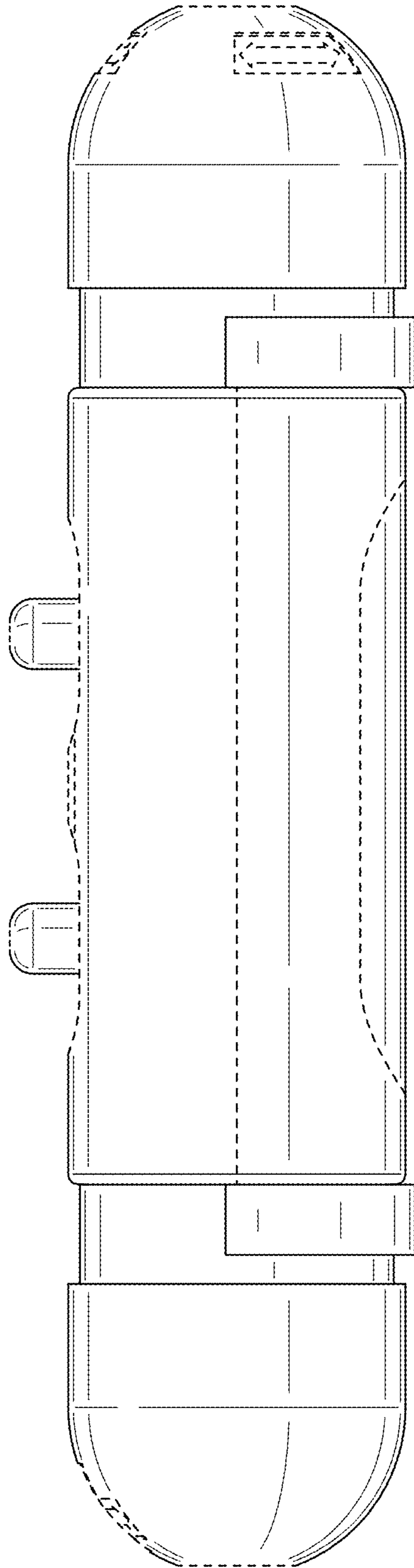


FIG. 3

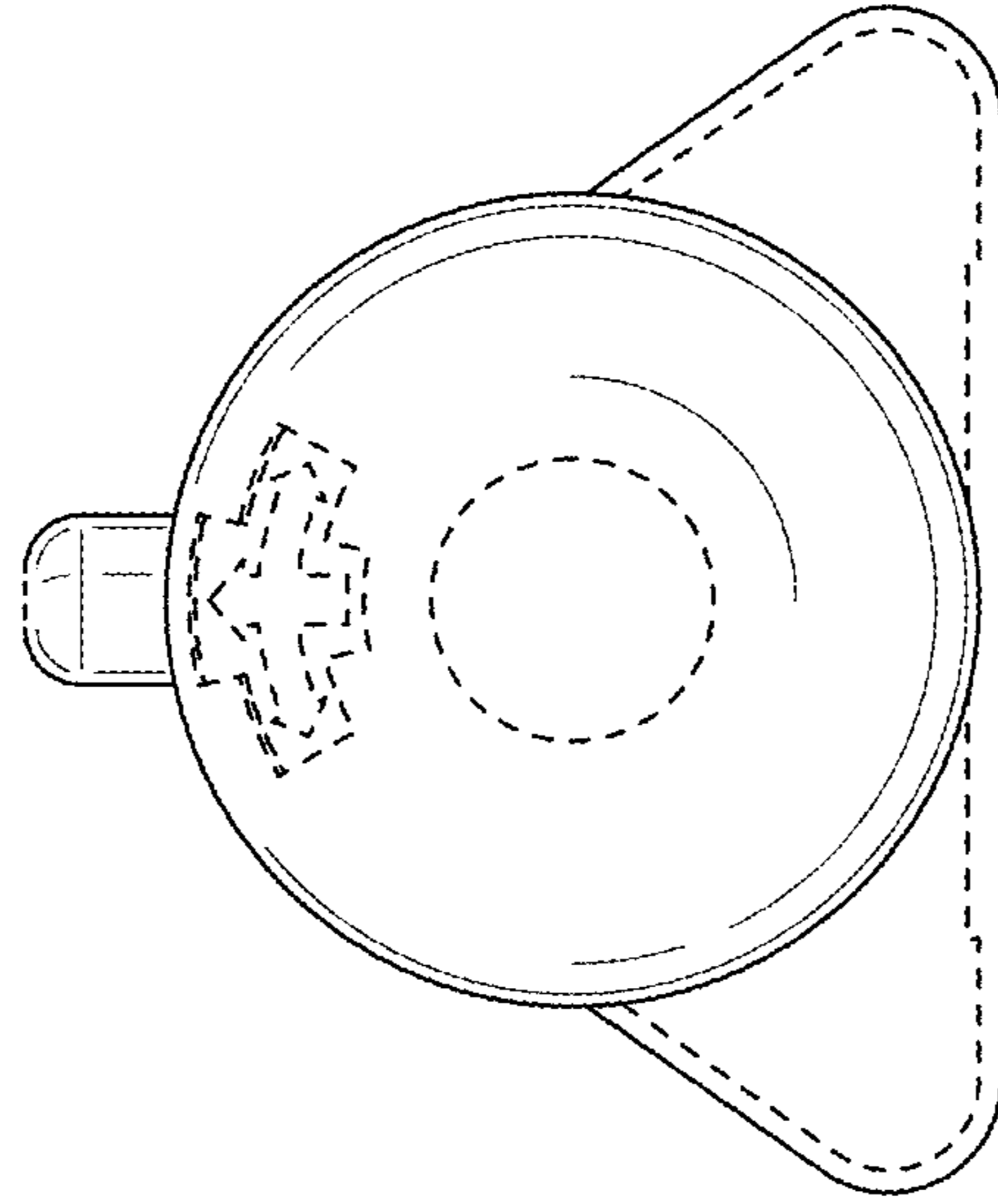


FIG. 5

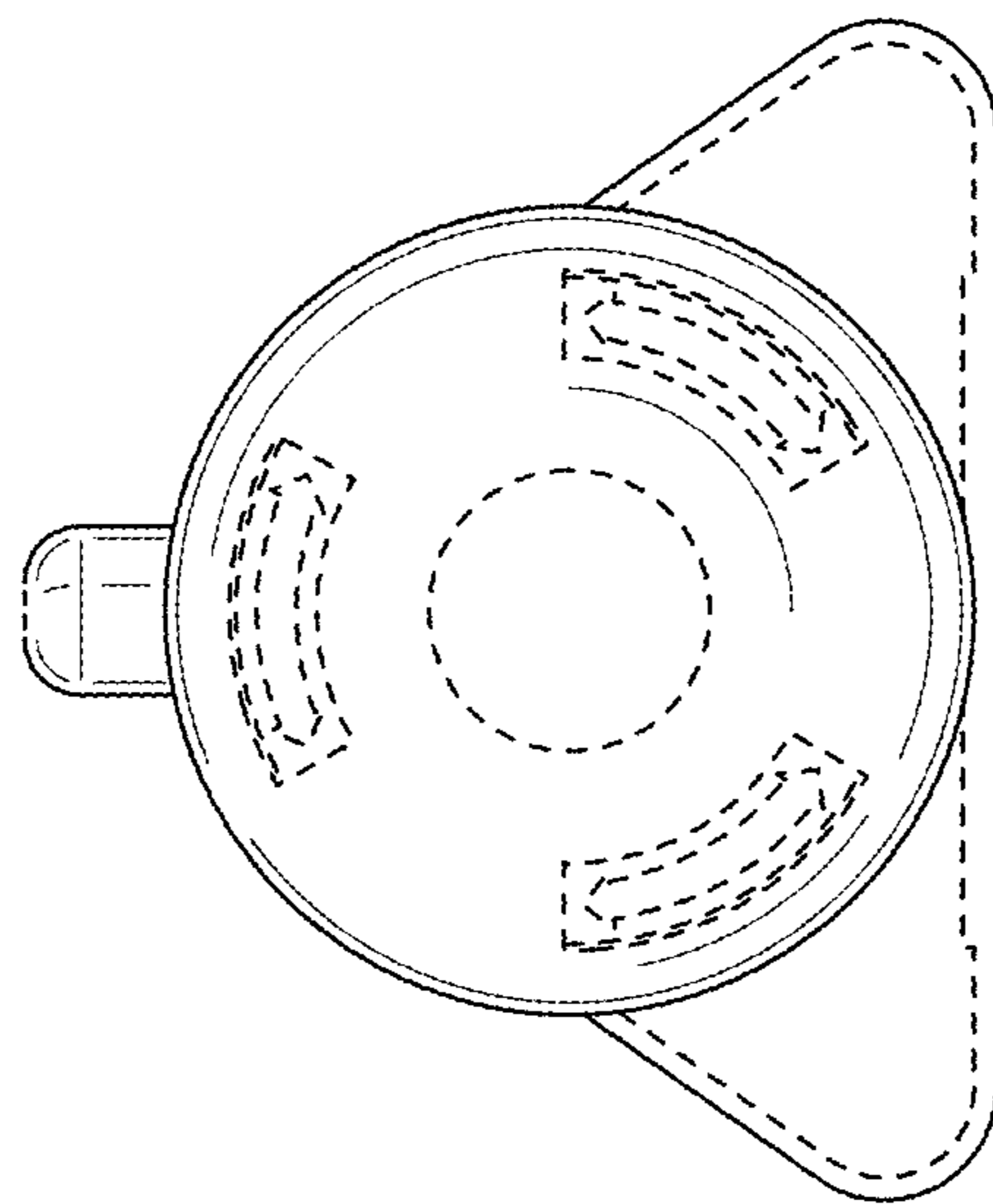


FIG. 4

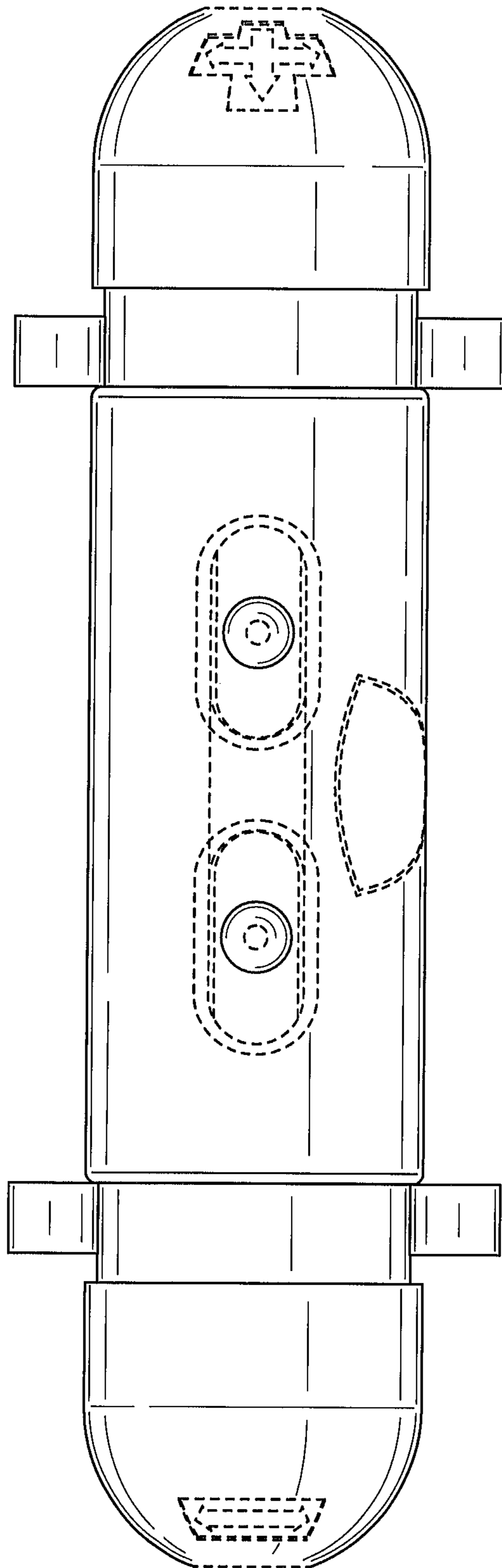


FIG. 6

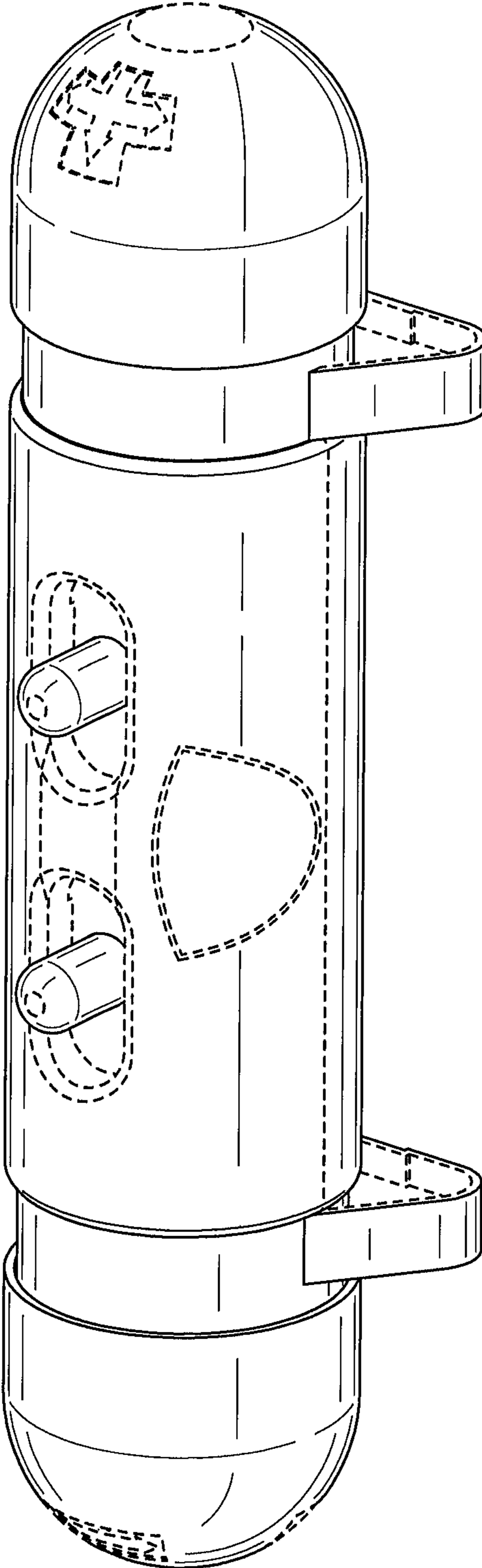


FIG. 7

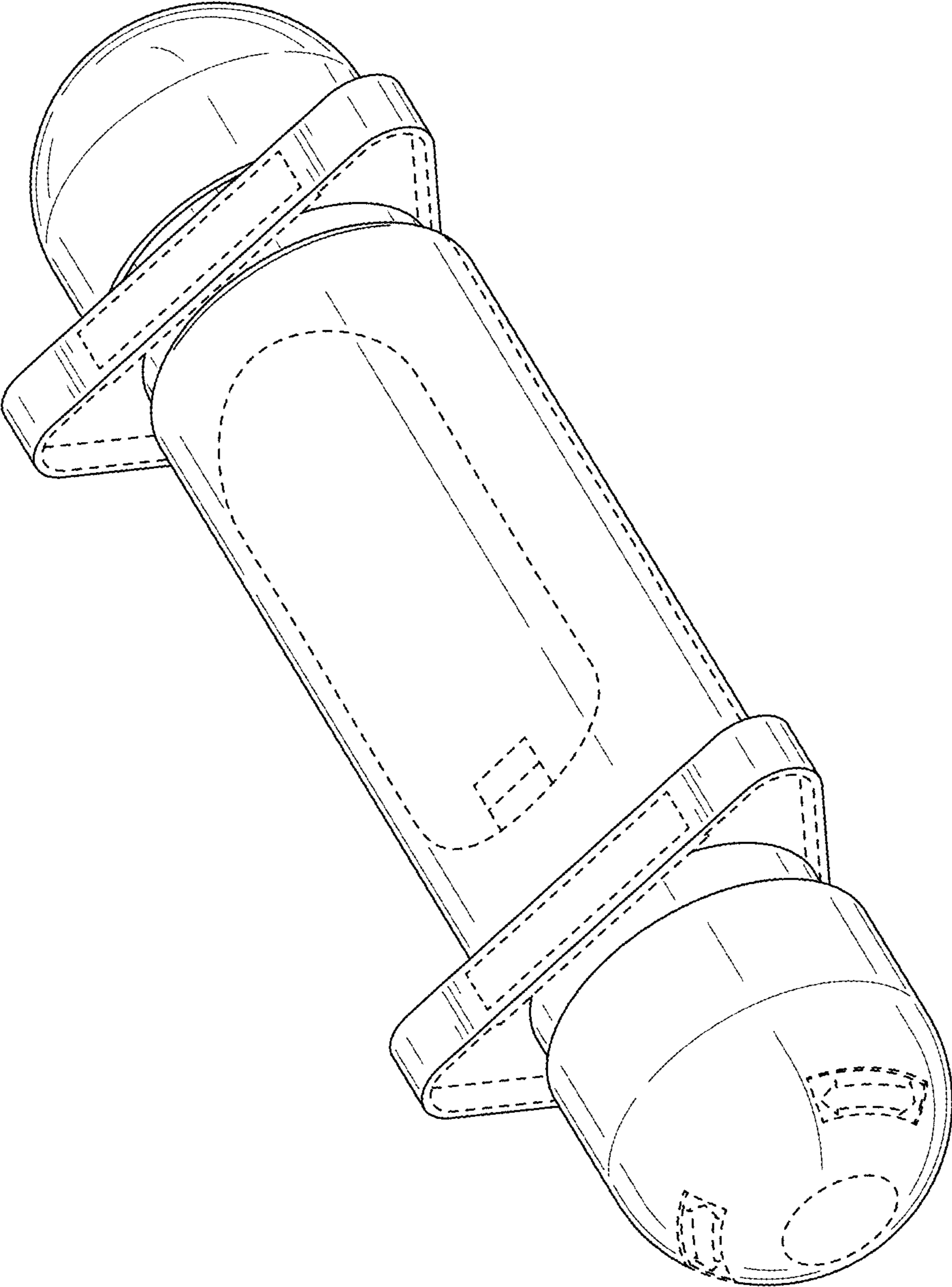


FIG. 8

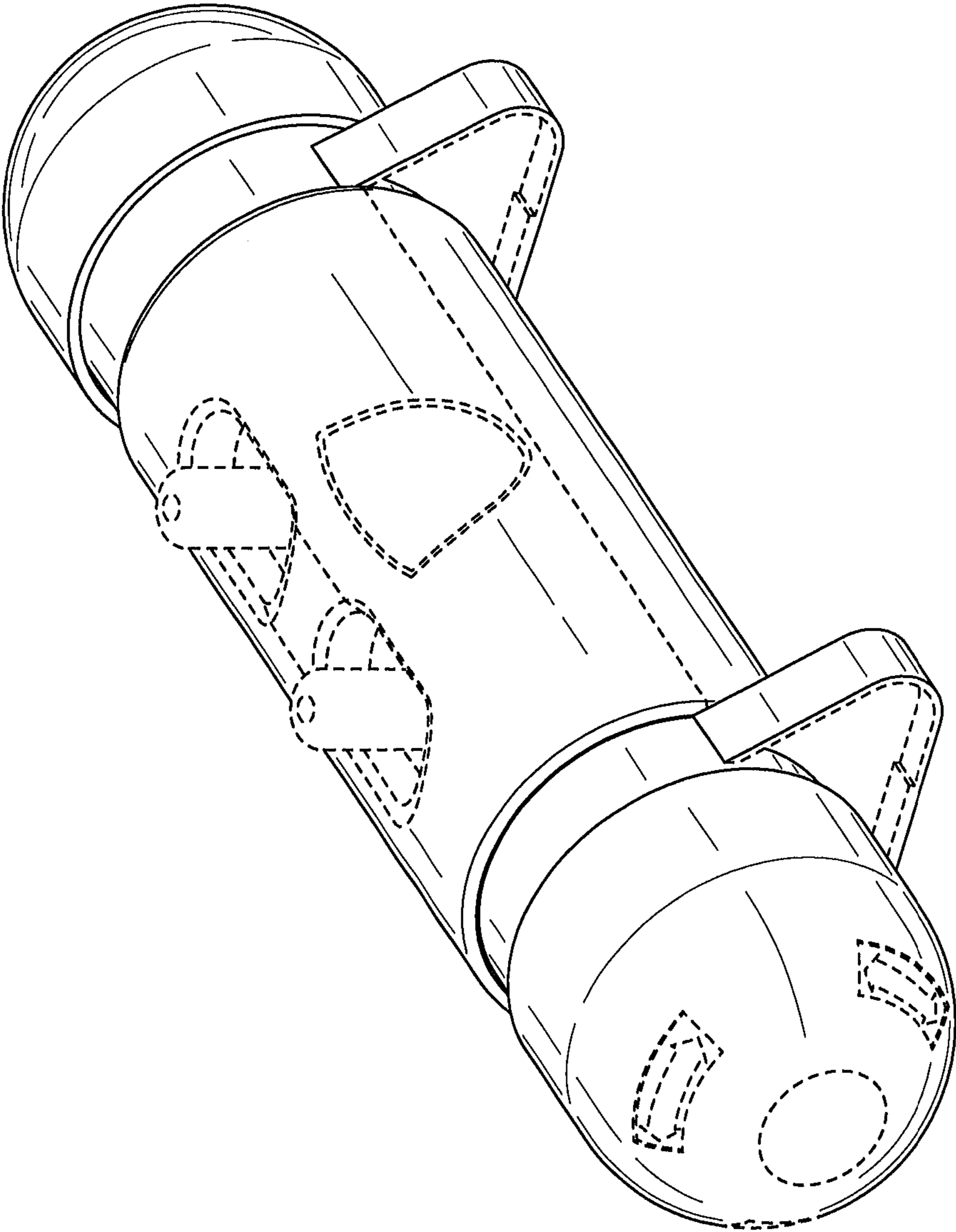


FIG. 9

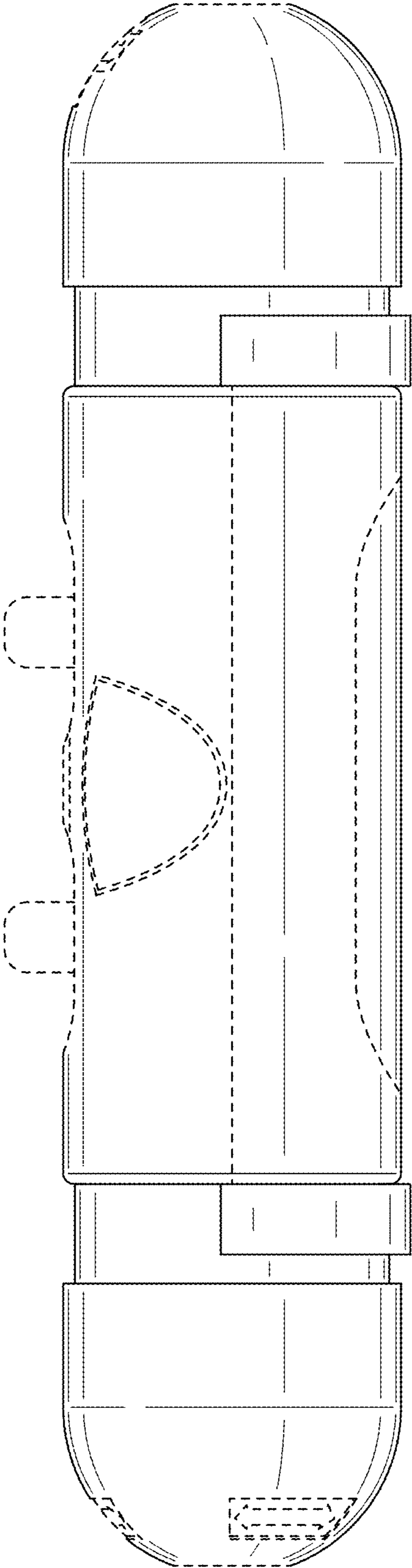


FIG. 10

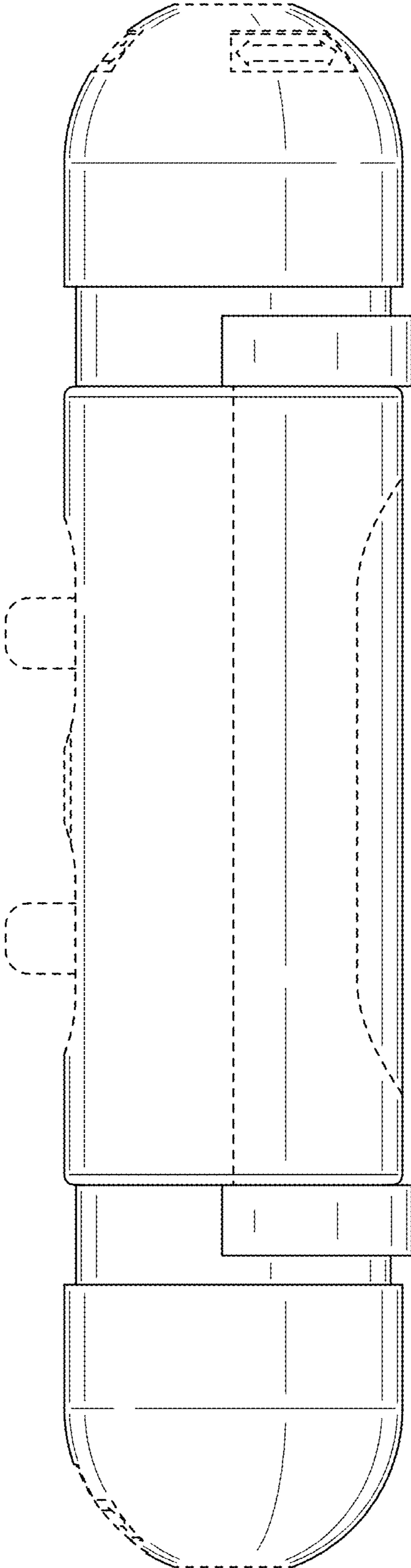


FIG. 11

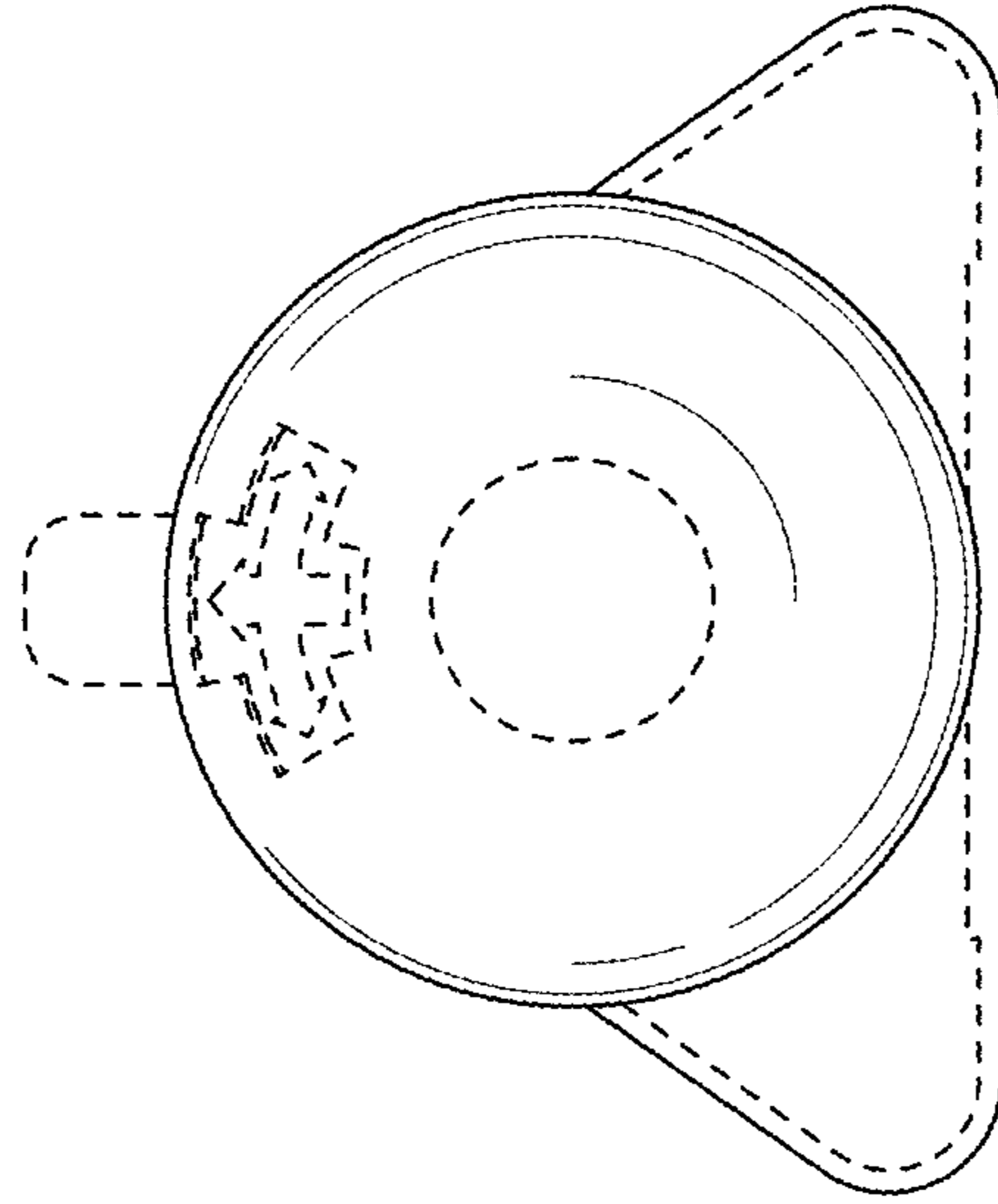


FIG. 12

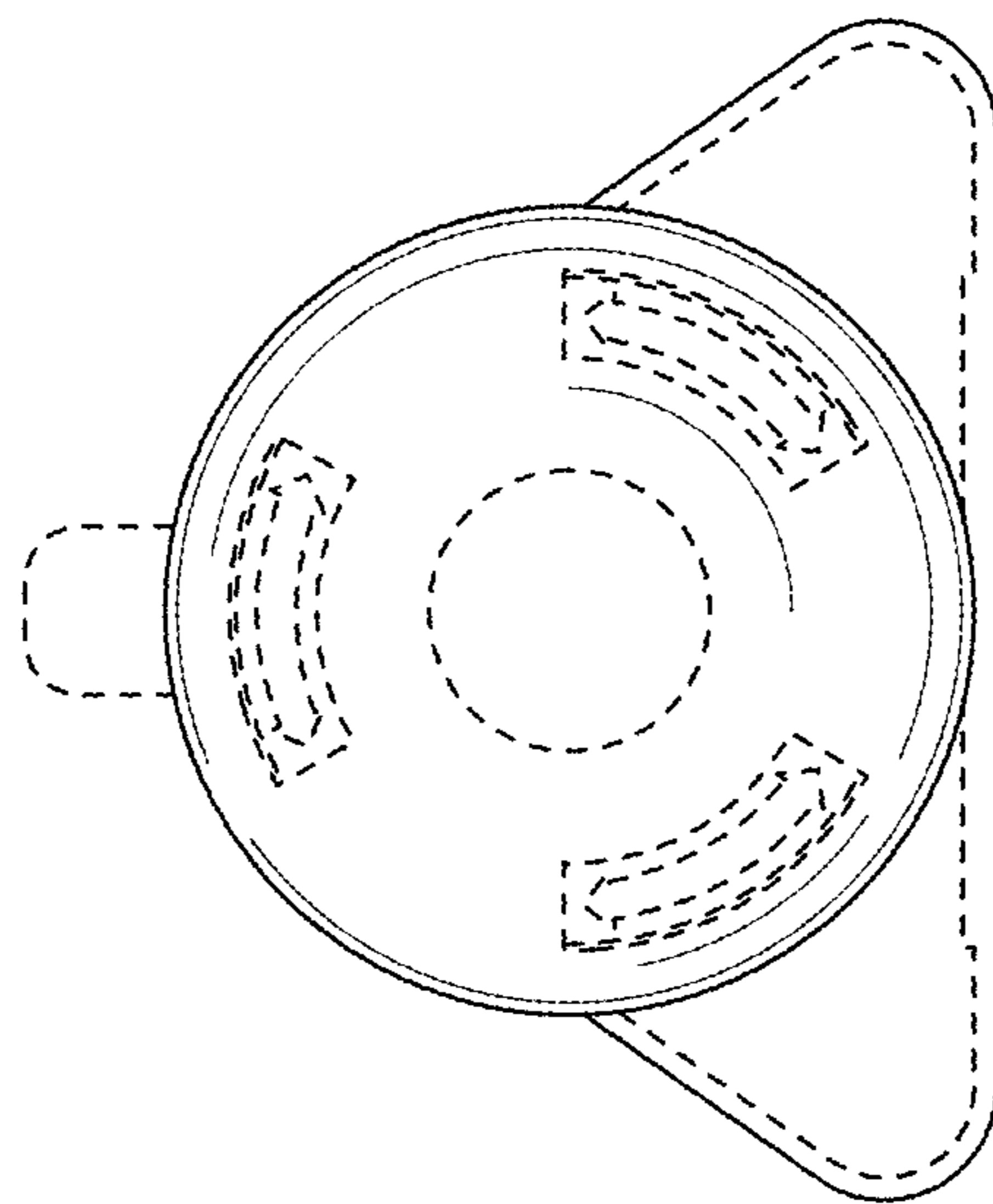


FIG. 13

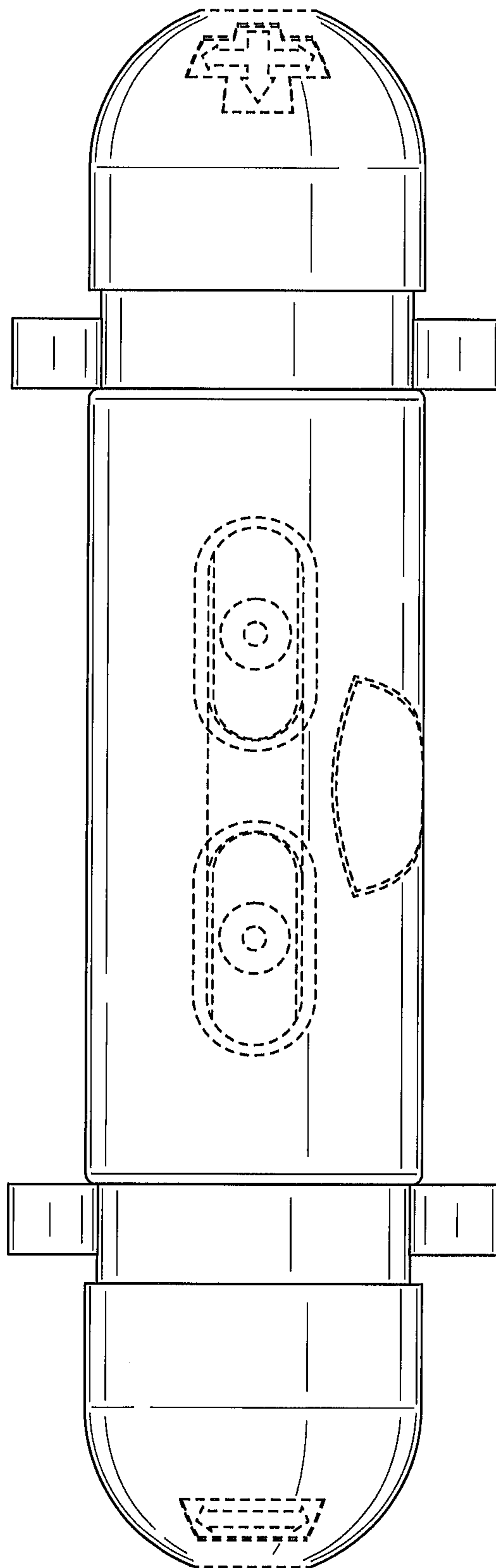


FIG. 14

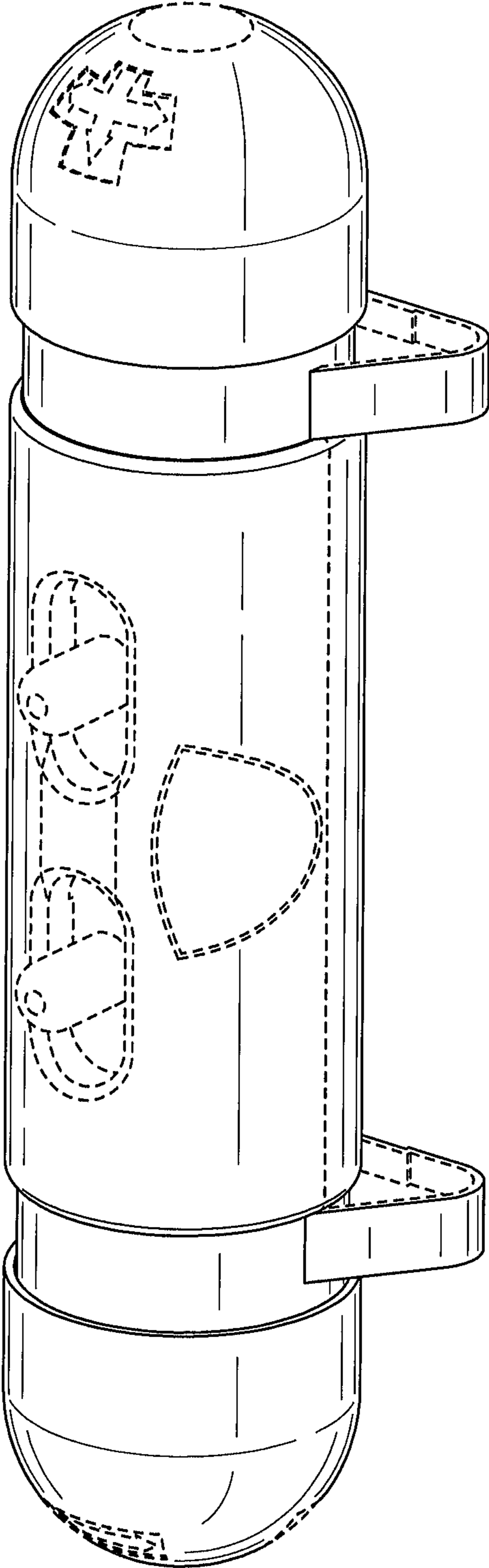


FIG. 15

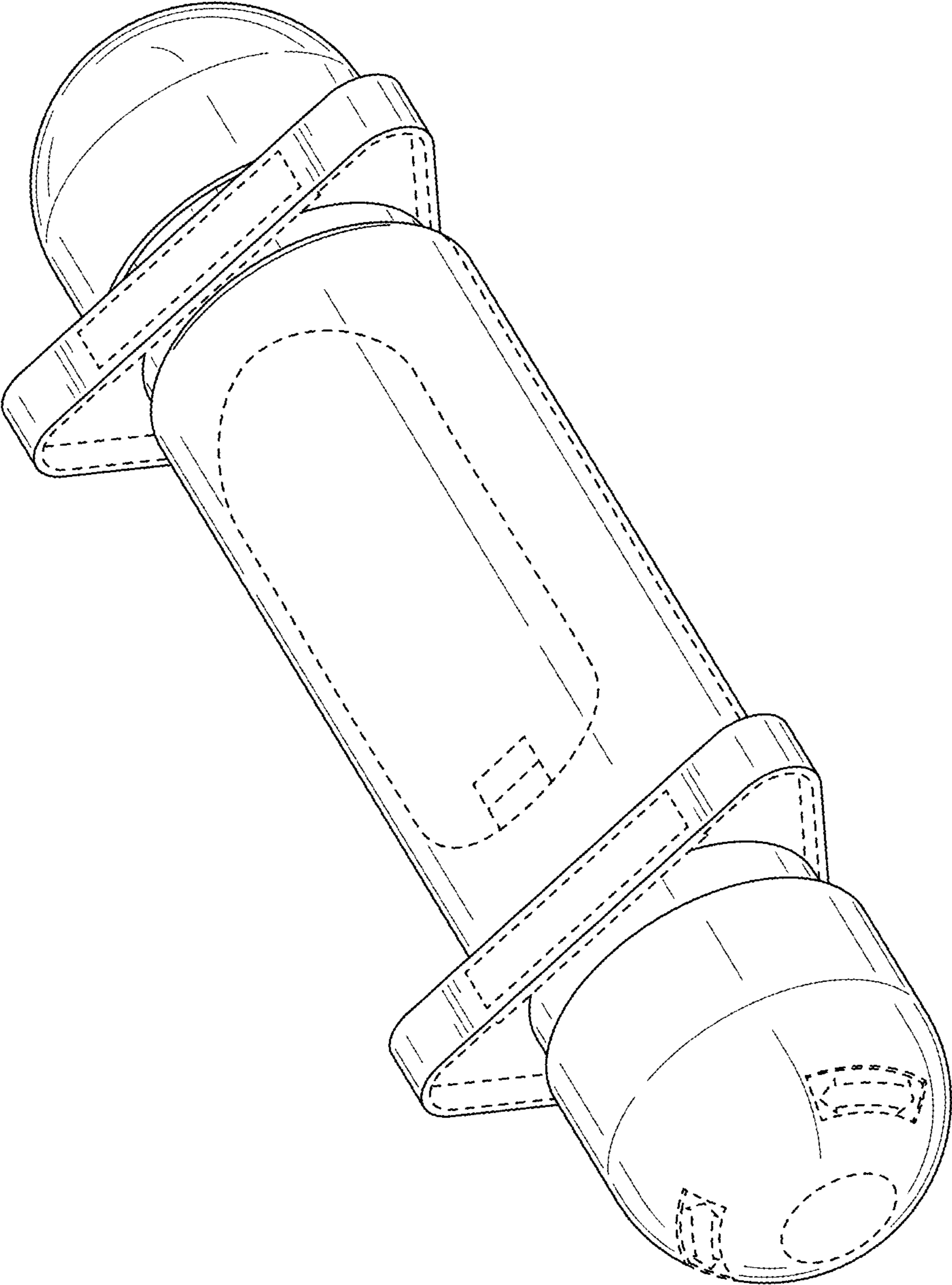


FIG. 16