



US00D886315S

(12) **United States Design Patent**
Hicken

(10) **Patent No.:** **US D886,315 S**

(45) **Date of Patent:** **** Jun. 2, 2020**

(54) **ROLLER**

(71) Applicant: **Blacktop Plus, LLC**, Carrollton, TX
(US)

(72) Inventor: **Christian Hicken**, Prosper, TX (US)

(73) Assignee: **BLACKTOP PLUS, LLC**, Carrollton,
TX (US)

(**) Term: **15 Years**

(21) Appl. No.: **29/683,998**

(22) Filed: **Mar. 18, 2019**

(51) **LOC (12) Cl.** **28-03**

(52) **U.S. Cl.**

USPC **D24/211**

(58) **Field of Classification Search**

USPC 601/99, 118, 120, 121, 124, 125, 130,
601/131, 134, 135, 136, 137; D24/200,
D24/211, 212, 213, 214, 215; 600/38,
600/39, 40, 41; D30/160; D8/303;
D12/114, 178; D21/662, 803; 482/79,
482/132

CPC A61H 15/00; A61H 2015/0014; A61H
2203/0425; A61H 7/001

See application file for complete search history.

(56) **References Cited**

U.S. PATENT DOCUMENTS

2,546,095 A * 3/1951 Gustlin A61H 15/02
601/121
4,378,007 A * 3/1983 Kachadourian A61H 15/00
482/79
D643,540 S * 8/2011 Jian D24/211
D660,450 S * 5/2012 Johnson D24/215
D670,817 S * 11/2012 Narevsky D24/211
D674,906 S * 1/2013 Matsuura D24/215
D674,907 S * 1/2013 Matsuura D24/215

D674,908 S * 1/2013 Matsuura D24/215
D674,909 S * 1/2013 Matsuura D24/215
D689,155 S * 9/2013 Jahns D21/692

(Continued)

OTHER PUBLICATIONS

Blacktopplus, "4_in_1 Foam Roller", Jan. 15, 2020. <https://blacktopplus.com/products/compact-roller>. Shown in p. 1. (Year: 2020).*

(Continued)

Primary Examiner — Cynthia Ramirez

Assistant Examiner — Michael A Maharajh

(74) *Attorney, Agent, or Firm* — Goodhue, Coleman & Owens, P.C.

(57) **CLAIM**

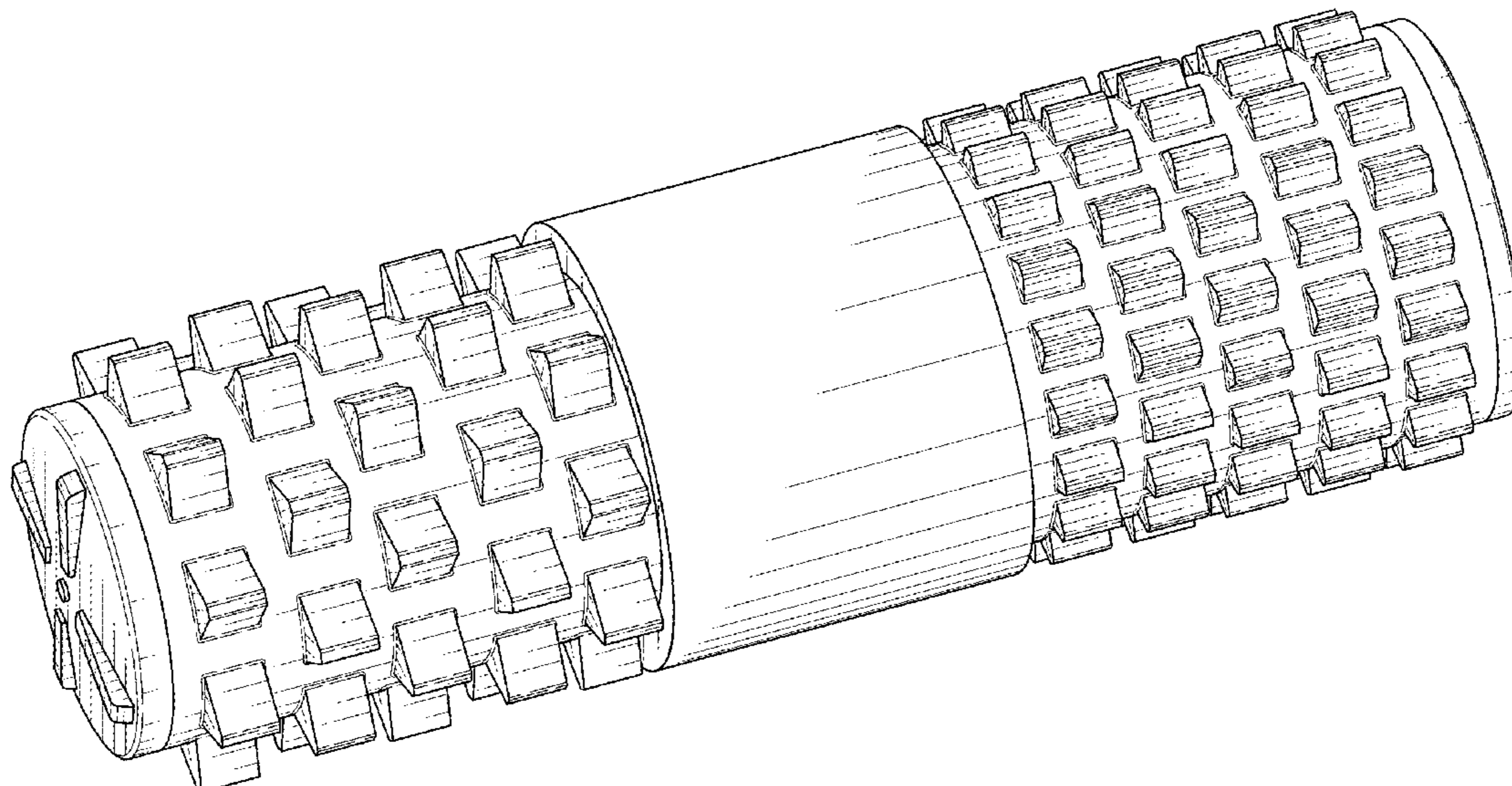
The ornamental design for a roller, as shown and described.

DESCRIPTION

FIG. 1 is a perspective view of a roller;
FIG. 2 is a top view thereof;
FIG. 3 is a bottom view thereof;
FIG. 4 is a front view thereof;
FIG. 5 is a back view thereof;
FIG. 6 is a left side view thereof;
FIG. 7 is a right side view thereof;
FIG. 8 is a front perspective view with the cap off;
FIG. 9 is a back perspective view with the cap off;
FIG. 10 is a cross-sectional view thereof taken along line 10-10 in FIG. 6 thereof;
FIG. 11 is a perspective view of the roller cap thereof;
FIG. 12 is a top view thereof;
FIG. 13 is a bottom view thereof;
FIG. 14 is a left side view thereof;
FIG. 15 is a right side view thereof;
FIG. 16 is a front view thereof; and,
FIG. 17 is a back view thereof.

The cap shown in FIGS. 11 through 17 have been shown separately for convenience of illustration.

1 Claim, 12 Drawing Sheets



(56)

References Cited

U.S. PATENT DOCUMENTS

D693,934 S * 11/2013 Lin D24/215
 D696,923 S * 1/2014 Ichikawa D8/303
 D713,050 S * 9/2014 Kao A61H 15/00
 D734,480 S * 7/2015 Jones D24/211
 D736,398 S * 8/2015 Kwon D24/211
 D737,456 S * 8/2015 McDonough A61H 15/0092
 D749,233 S * 2/2016 Phillips A61H 15/0092
 D755,304 S * 5/2016 Ackerman D21/662
 D764,066 S * 8/2016 Somjee D24/211
 D785,103 S * 4/2017 Townsend D21/662
 D788,313 S * 5/2017 Lawrie D24/211
 9,668,933 B1 * 6/2017 Johnson A61H 15/00
 D800,329 S * 10/2017 Cheng D24/211
 D800,401 S * 10/2017 Ishibashi D32/25
 D805,649 S * 12/2017 Mizelle D24/211
 D808,033 S * 1/2018 Clithero D24/211
 D822,772 S * 7/2018 Jorgenson D21/662
 D825,695 S * 8/2018 Kim D21/662
 D829,920 S * 10/2018 Carpinelli D24/211
 D833,026 S * 11/2018 Khodabakhshian D24/211
 D833,027 S * 11/2018 Viner D24/211
 D833,635 S * 11/2018 Chen D24/214
 D837,996 S * 1/2019 Sugimoto D24/215
 D843,001 S * 3/2019 Davis D24/211
 D845,498 S * 4/2019 Johnson D24/211
 10,307,325 B1 * 6/2019 Johnson A61H 15/0092
 D863,579 S * 10/2019 Wang D24/211
 D863,583 S * 10/2019 Carpinello D24/213
 2012/0035029 A1 * 2/2012 Dye A61H 15/0092
 2012/0172771 A1 * 7/2012 Jian A61H 15/0092

2013/0184620 A1 * 7/2013 Cohen A61H 15/0092
 2014/0012168 A1 * 1/2014 Carlson A61H 15/0092
 2014/0128786 A1 * 5/2014 Ross A61H 15/0092
 2015/0080774 A1 * 3/2015 Olaya A61H 15/00
 2015/0190304 A1 * 7/2015 Lawrie A61H 15/0092
 2016/0235619 A1 * 8/2016 Yeh A61H 15/00
 2016/0279009 A1 * 9/2016 Somjee A61H 15/00
 2016/0310349 A1 * 10/2016 Chen A61H 15/00
 2016/0310350 A1 * 10/2016 Chen A61H 15/00
 2016/0331628 A1 * 11/2016 Kuo A61H 15/00
 2017/0042756 A1 * 2/2017 Nelson A61H 15/00
 2017/0202729 A1 * 7/2017 Lin A61H 15/0092
 2017/0216133 A1 * 8/2017 Yih A61H 15/0092
 2017/0252262 A1 * 9/2017 Chang A61H 15/00
 2018/0021211 A1 * 1/2018 Suokas A61H 15/0092
 2018/0133096 A1 * 5/2018 Loos A61H 15/00
 2018/0256442 A1 * 9/2018 Lee A61H 15/0078
 2018/0353370 A1 * 12/2018 Liao A61H 15/0092
 2019/0060160 A1 * 2/2019 Krichevsky A61H 15/0092
 2019/0125621 A1 * 5/2019 Kyriacou A61H 15/00
 2019/0343713 A1 * 11/2019 Boghosian A61H 1/00
 2019/0350799 A1 * 11/2019 Matossian A61H 1/00

OTHER PUBLICATIONS

Youtube, "Blacktop+Compact Roller", Sep. 16, 2019. <https://www.youtube.com/watch?v=zjHXBnQCL3s>. Shown at the 00:03 minute mark. (Year: 2019).*

* cited by examiner

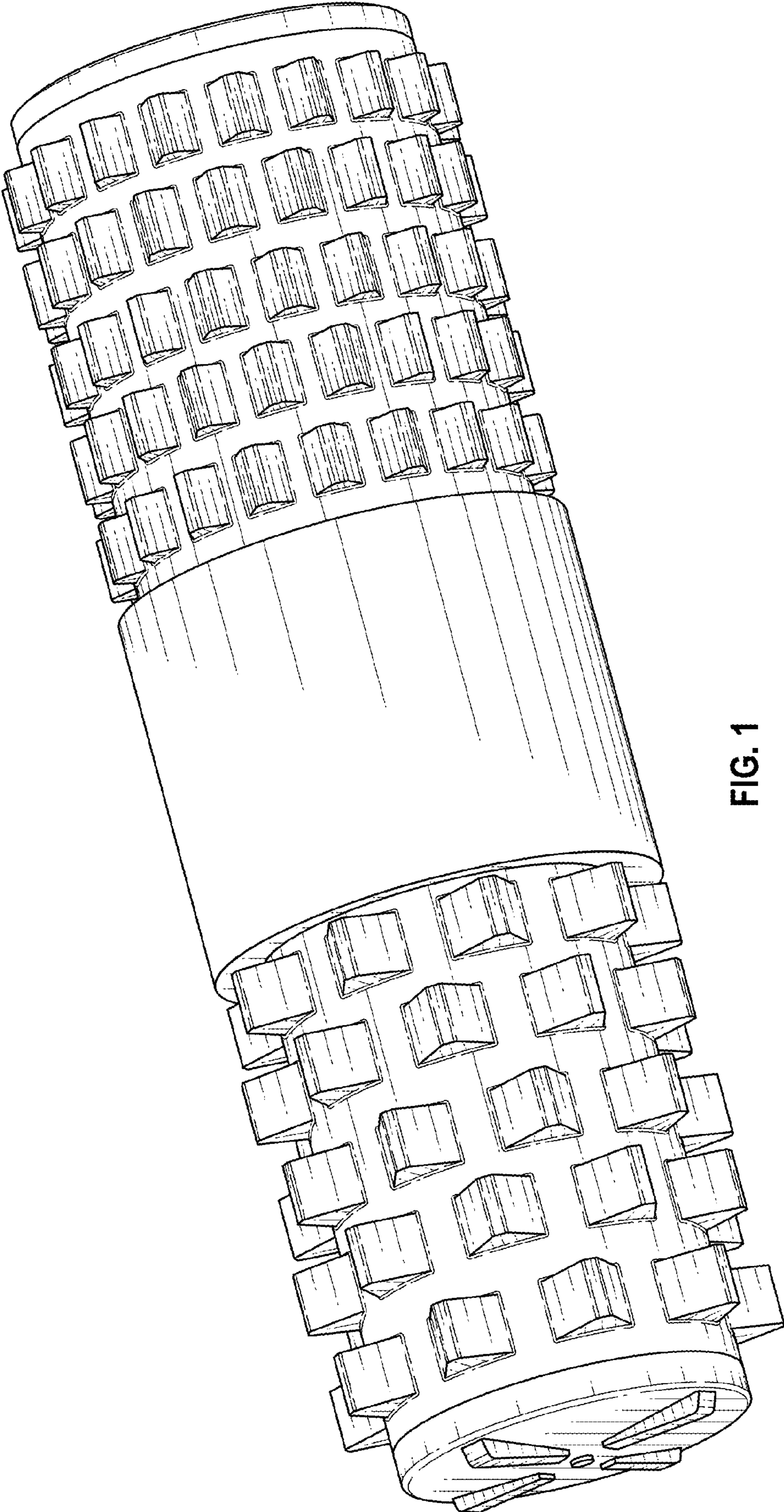


FIG. 1

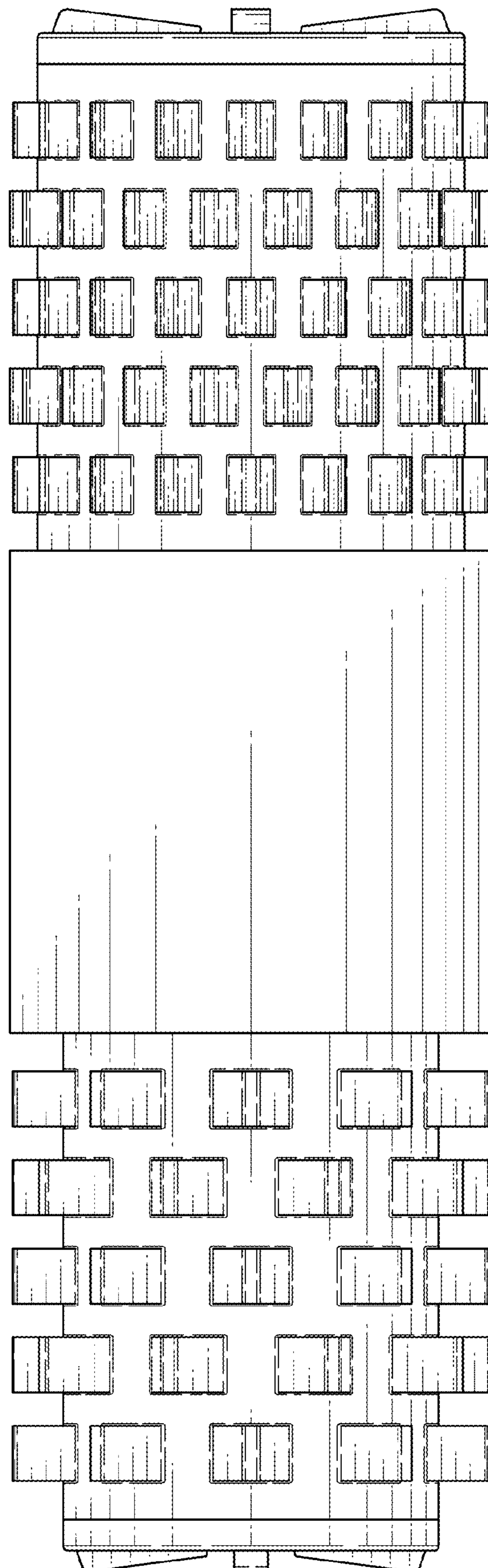


FIG. 2

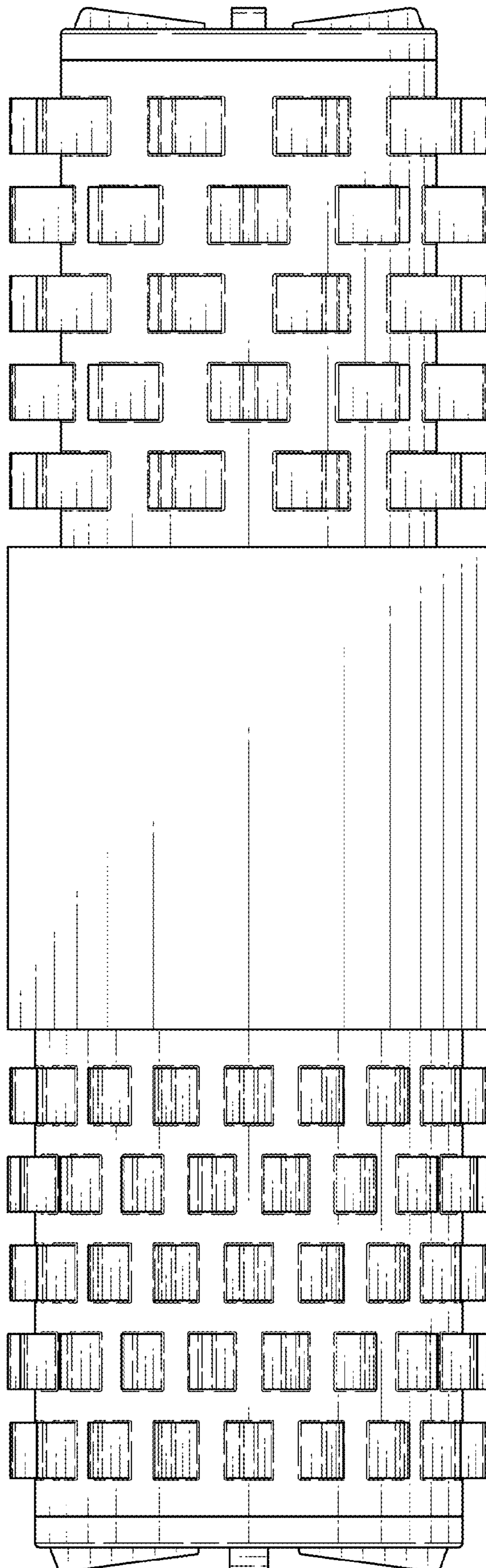


FIG. 3

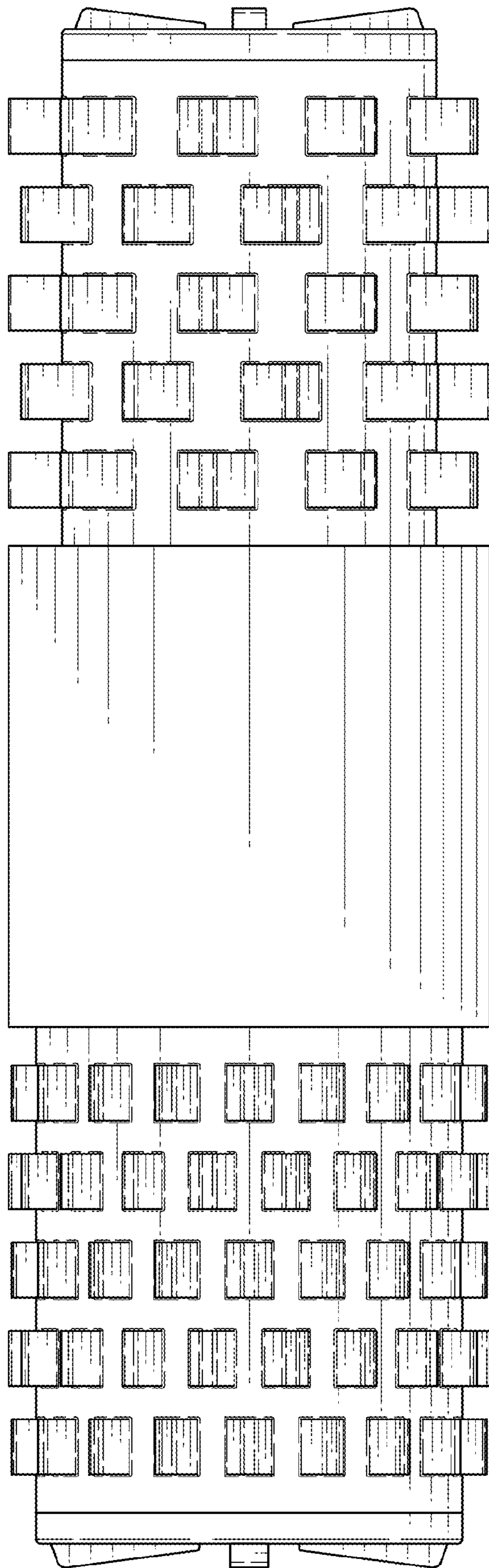


FIG. 4

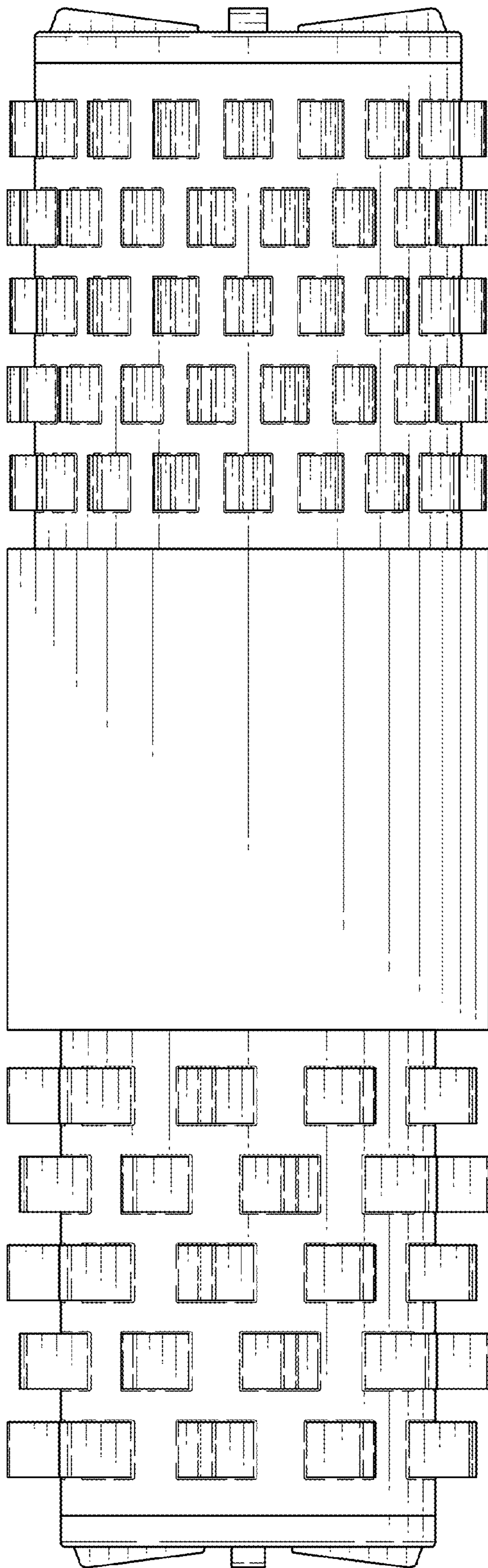


FIG. 5

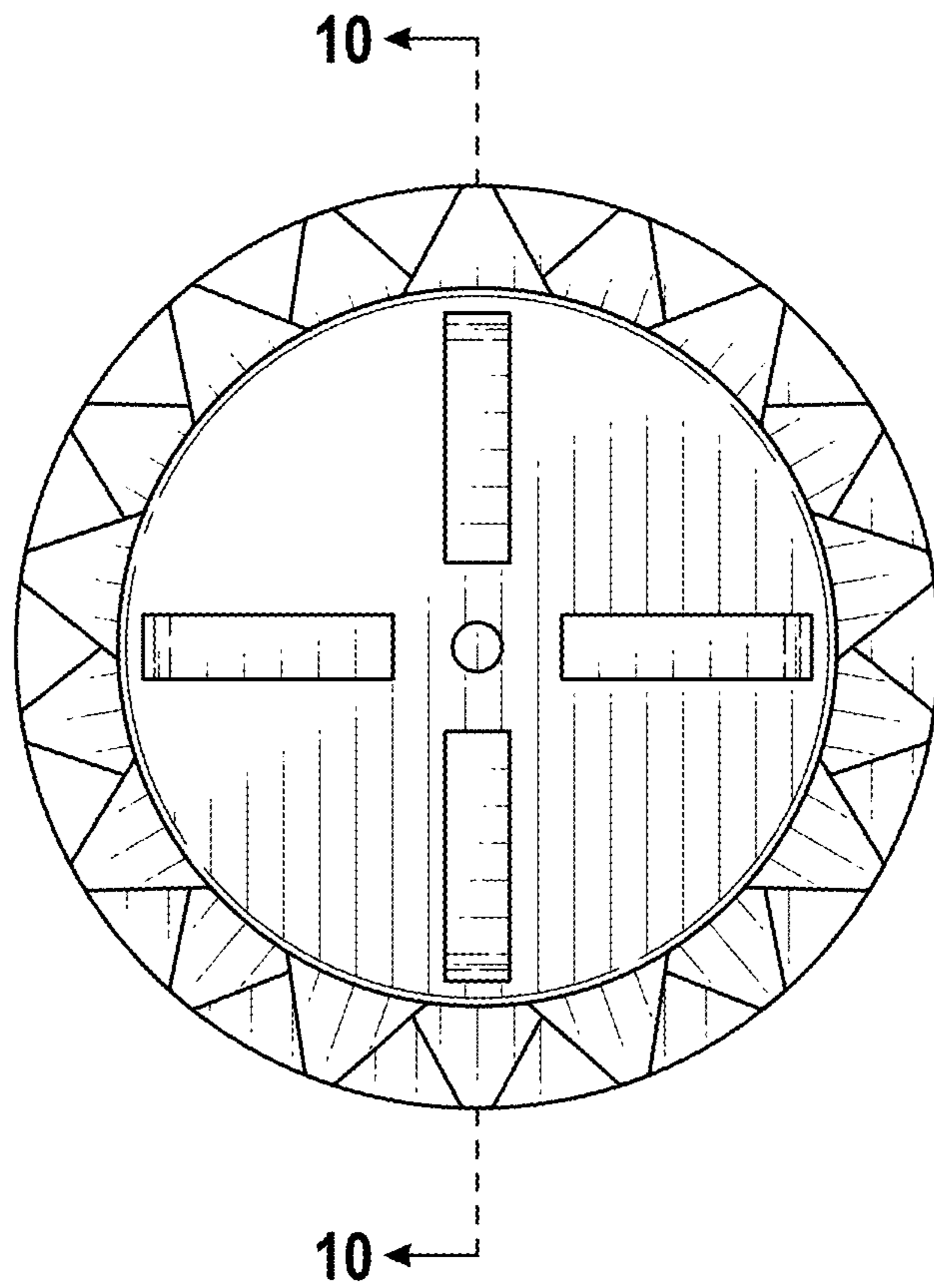


FIG. 6

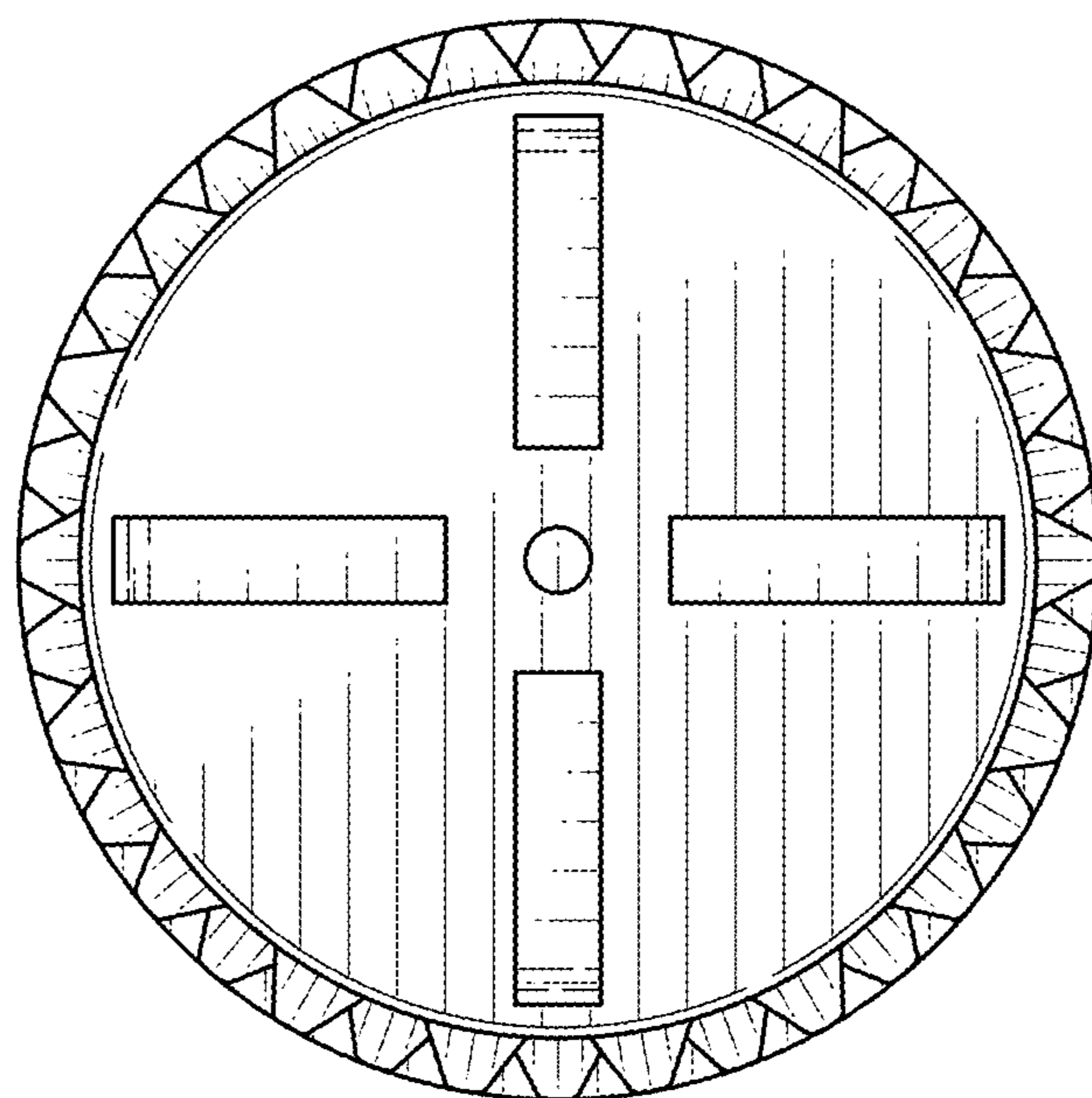


FIG. 7

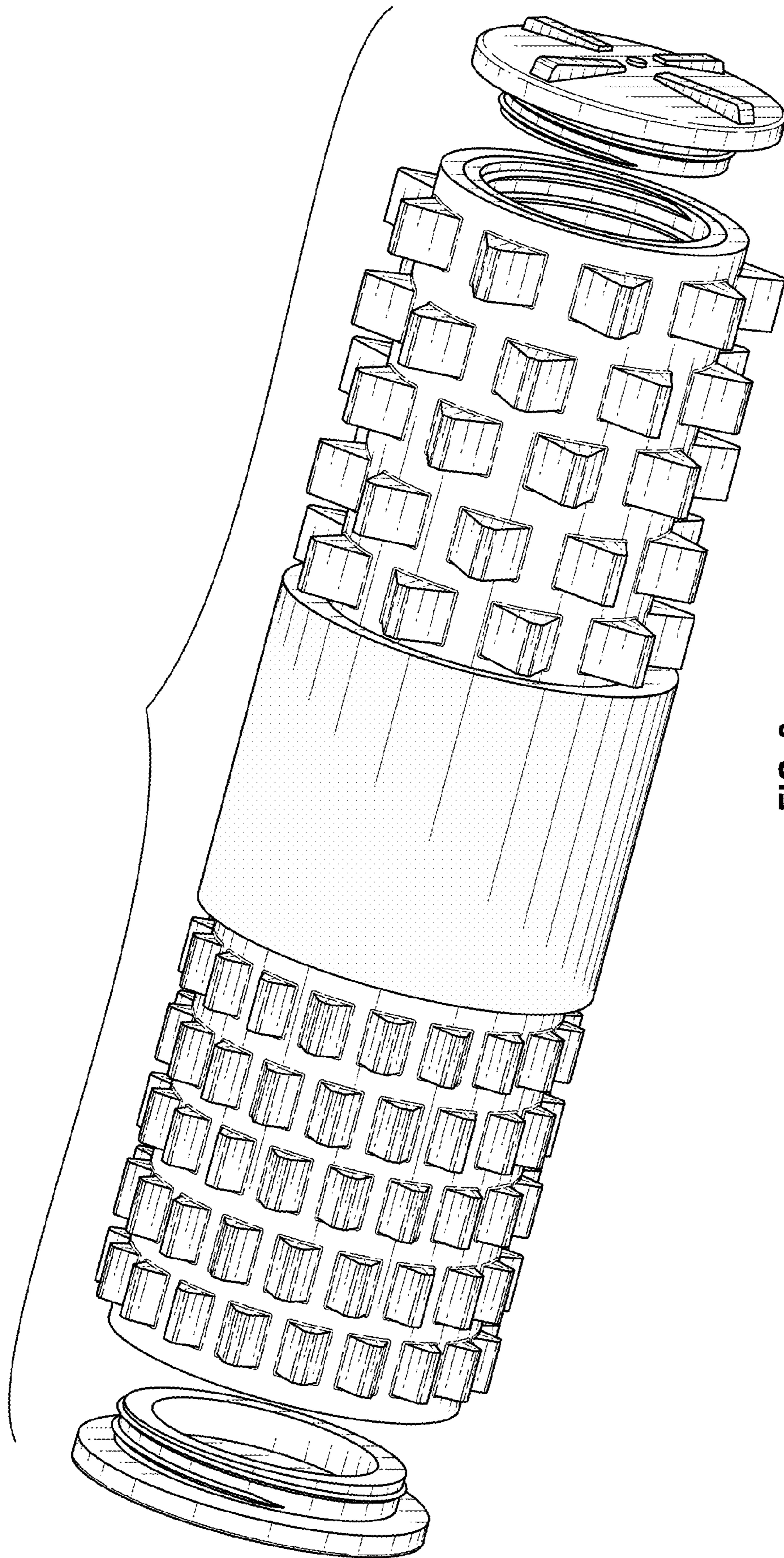


FIG. 8

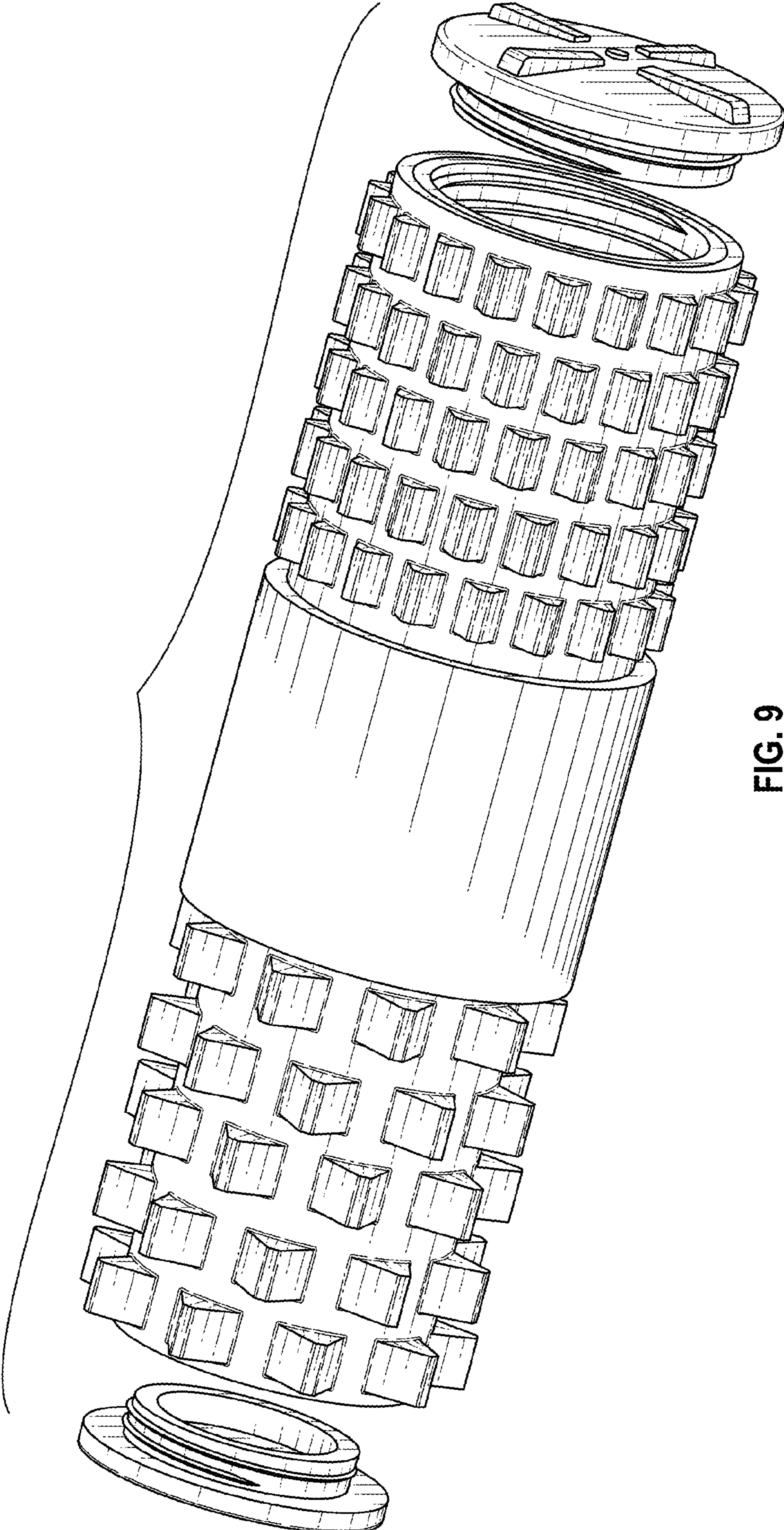


FIG. 9

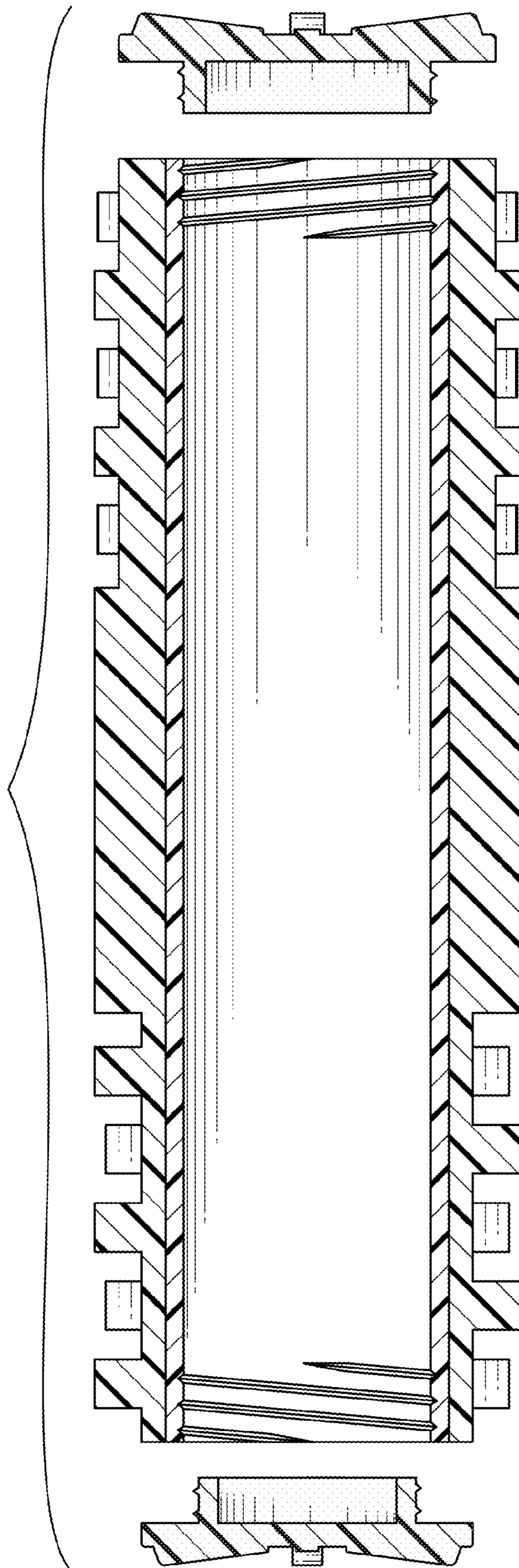


FIG. 10

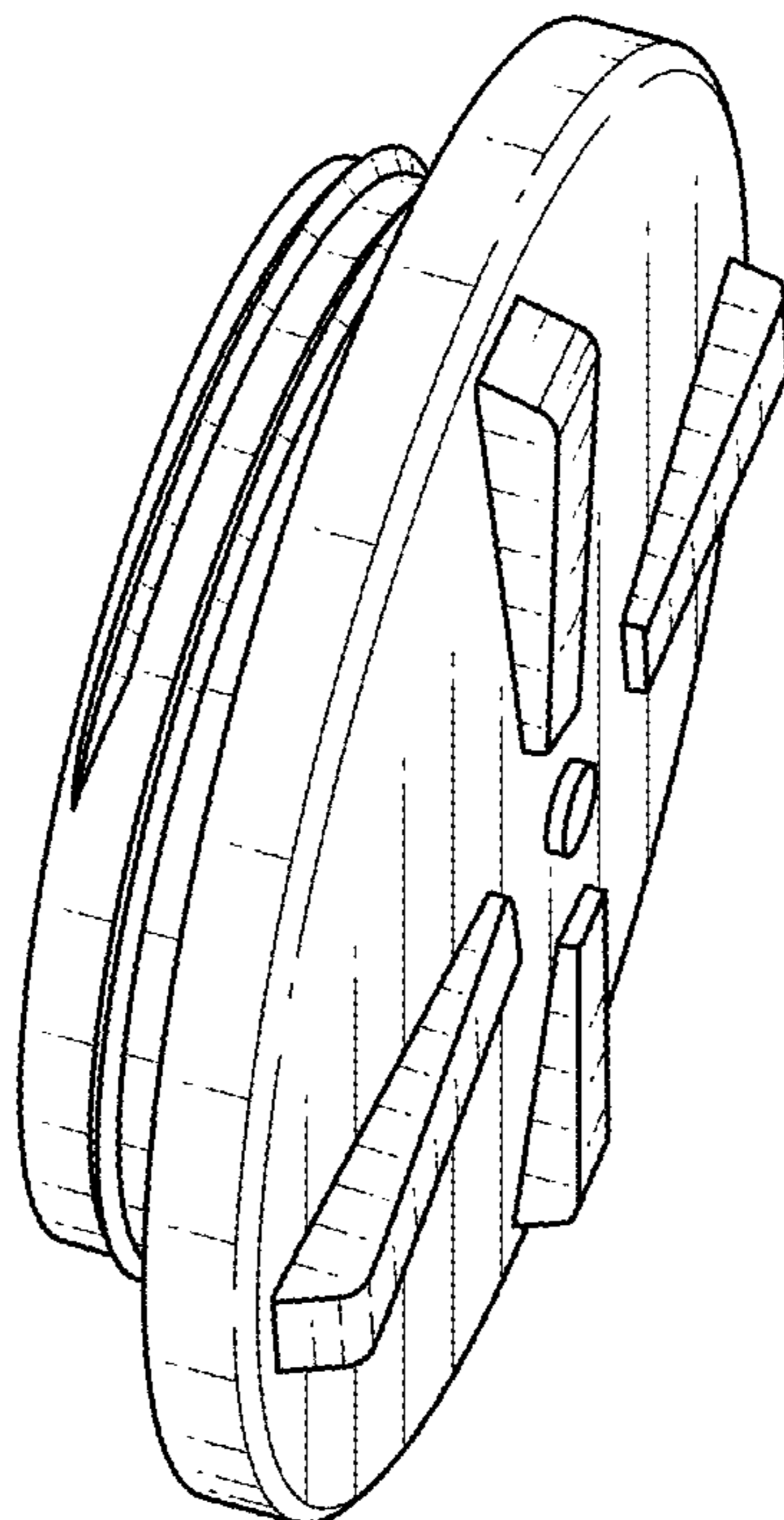


FIG. 11

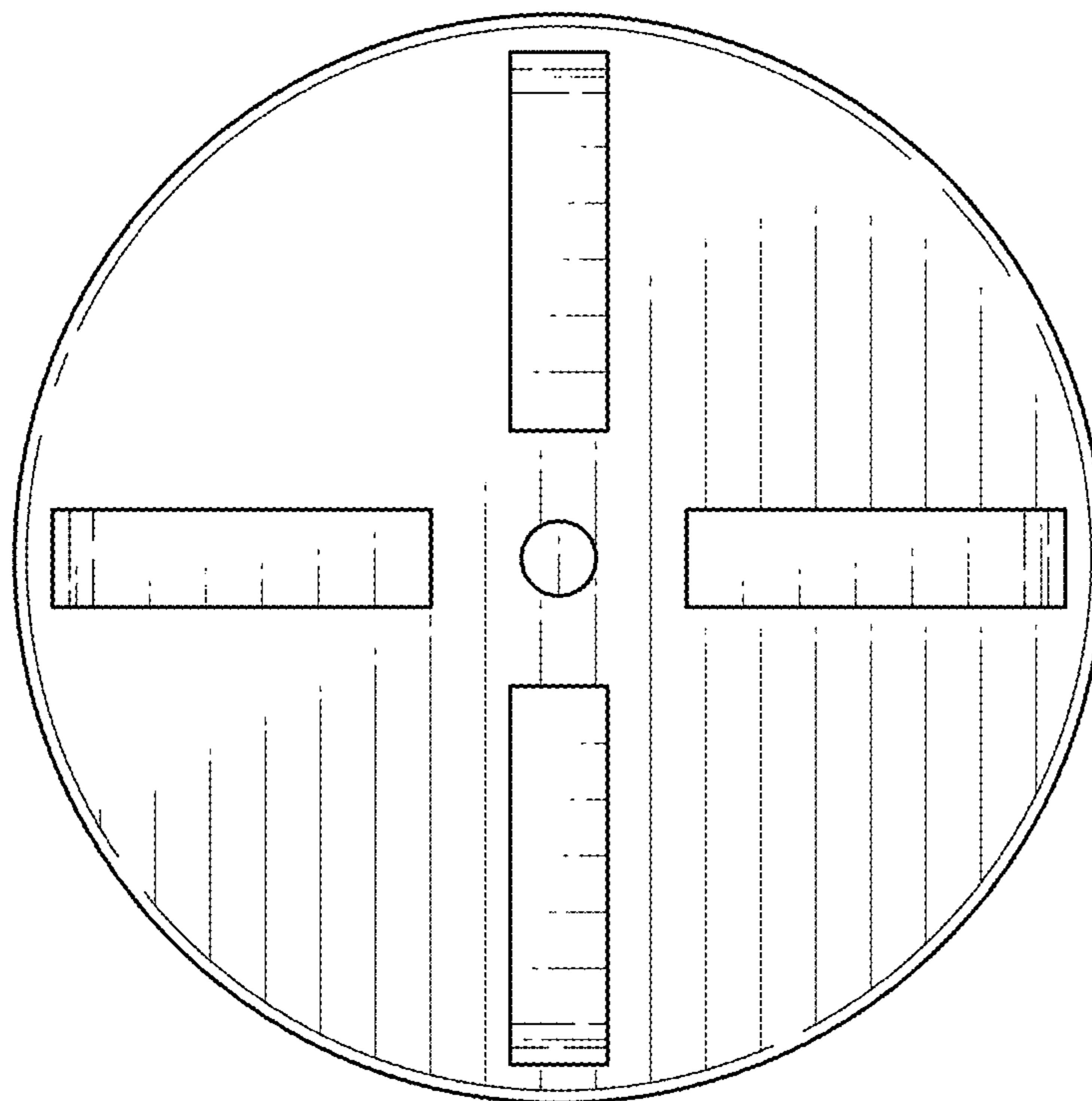


FIG. 12

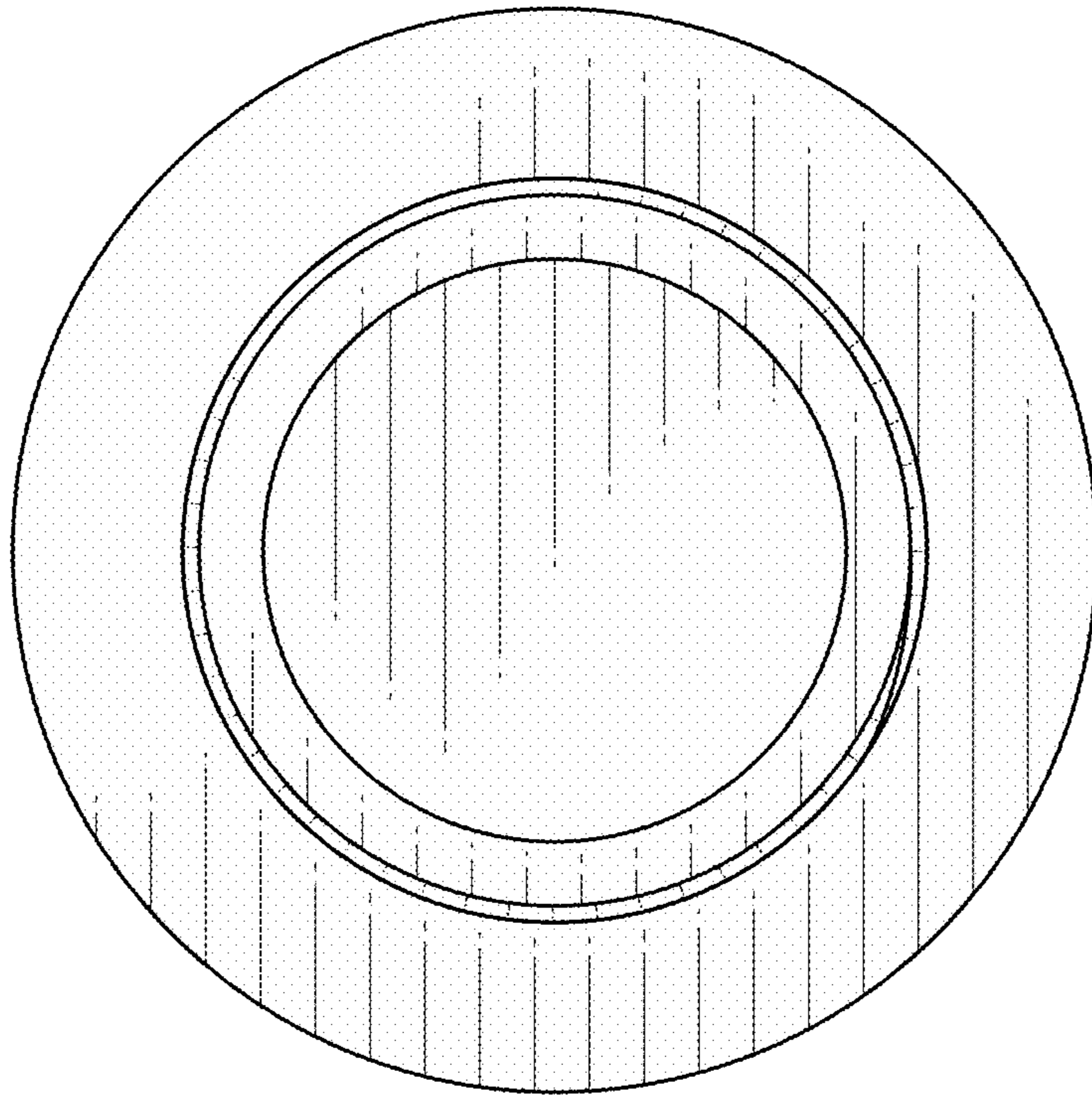


FIG. 13

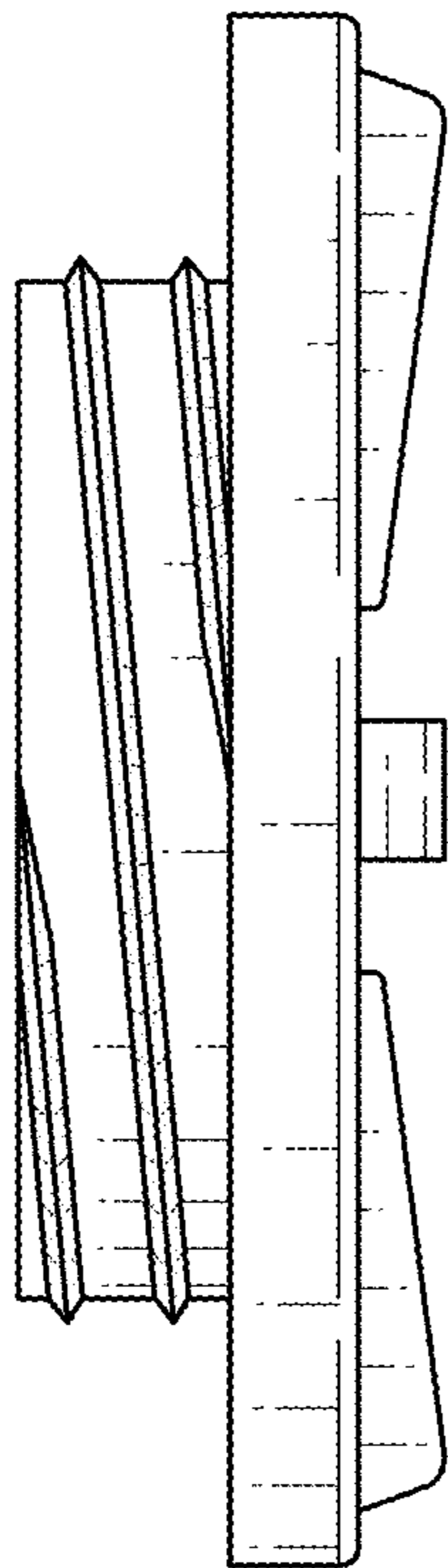


FIG. 14

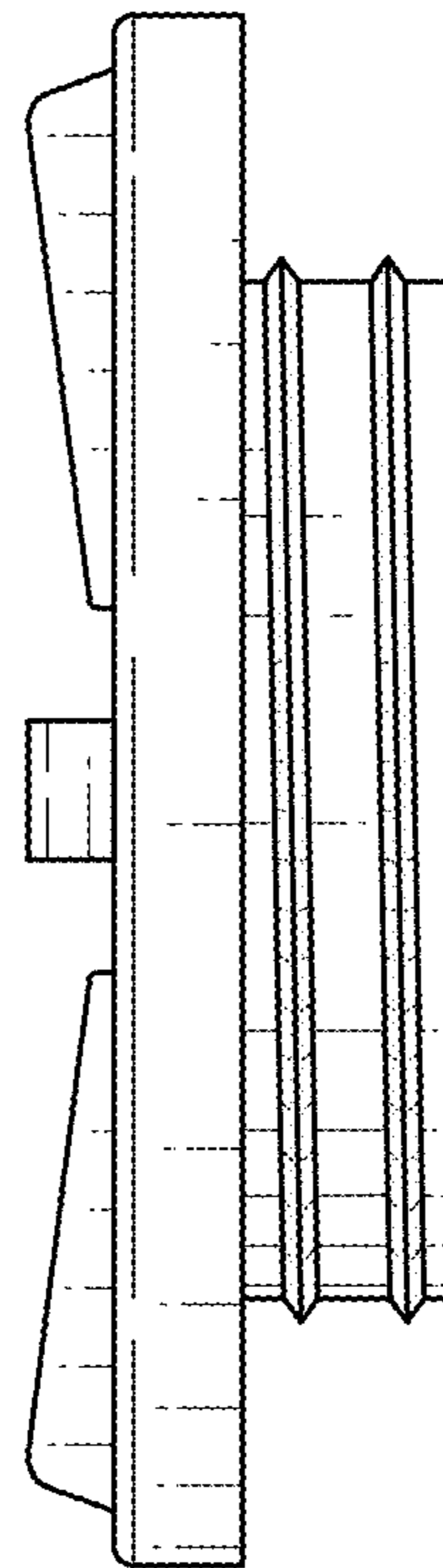


FIG. 15

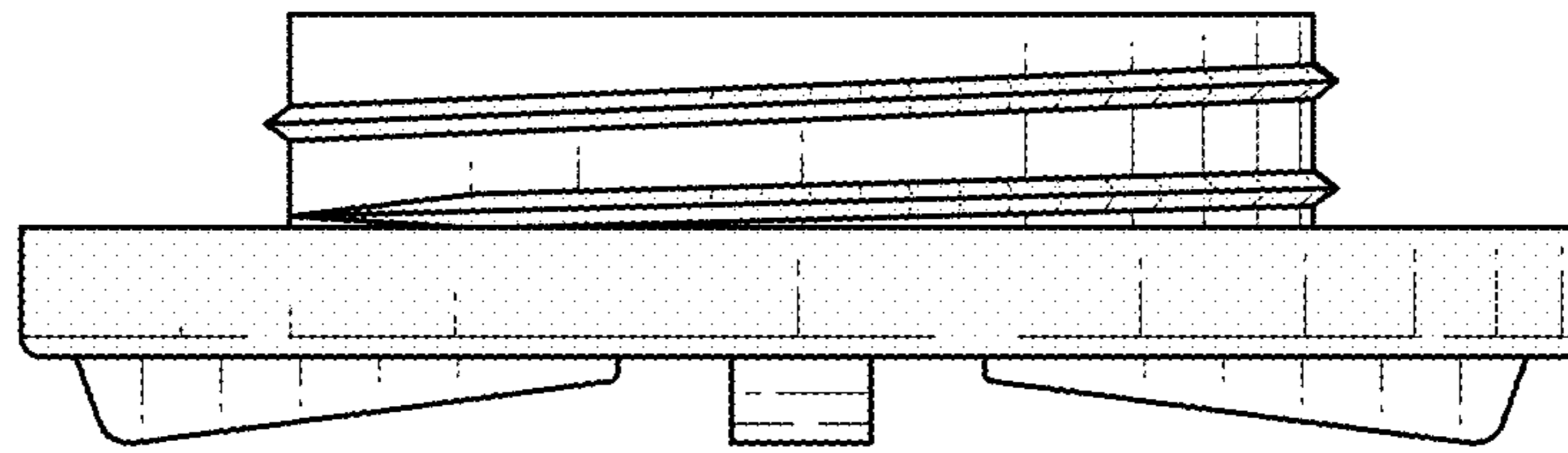


FIG. 16

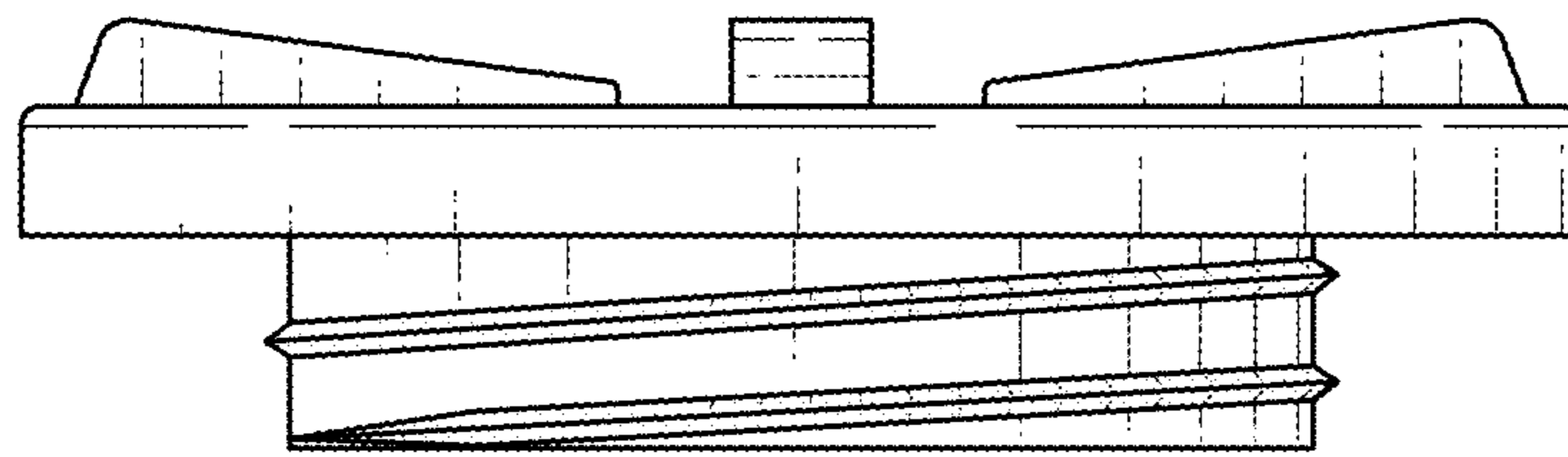


FIG. 17