



US00D886313S

(12) **United States Design Patent**
Payne

(10) **Patent No.:** **US D886,313 S**
(45) **Date of Patent:** **** Jun. 2, 2020**

(54) **THERAPEUTIC TOURNIQUET WRAP WITH
POCKET FOR COLD/HEAT PACK**

(71) Applicant: **Amie Lapp Payne**, Helotes, TX (US)

(72) Inventor: **Amie Lapp Payne**, Helotes, TX (US)

(**) Term: **15 Years**

(21) Appl. No.: **29/650,480**

(22) Filed: **Jun. 7, 2018**

(51) **LOC (12) Cl.** **24-04**

(52) **U.S. Cl.**
USPC **D24/207**

(58) **Field of Classification Search**
USPC D24/206–208, 189–190; 607/96, 108,
607/112, 114
CPC .. A61F 7/02; A61F 7/034; A61F 7/103; A61F
7/10; A61F 2007/0001; A61F 2007/0228;
A61F 2007/023; A61F 2007/0231
See application file for complete search history.

(56) **References Cited**

U.S. PATENT DOCUMENTS

5,179,942	A *	1/1993	Drulias	A61F 7/02 128/101.1
5,274,865	A *	1/1994	Takehashi	A61F 7/10 5/421
D598,556	S *	8/2009	Chen	D24/190
D627,078	S *	11/2010	Matsuo	D24/206
D827,844	S *	9/2018	Lucas	D24/207
2010/0211122	A1 *	8/2010	Hensley	A61F 7/02 607/3

* cited by examiner

Primary Examiner — Wan Laymon

(74) Attorney, Agent, or Firm — Taboada Law Firm,
PLLC; John M. Taboada

(57) **CLAIM**

The ornamental design for a therapeutic tourniquet wrap with pocket for cold/heat pack, as shown and described.

DESCRIPTION

FIG. 1 is a front elevational view of a therapeutic tourniquet wrap with pocket for cold/heat pack in a first position with arms of the therapeutic tourniquet wrap extended according to the present invention;

FIG. 2 is a top plan view of the therapeutic tourniquet wrap of FIG. 1, the bottom plan view being a mirror image of FIG. 2;

FIG. 3 is a rear elevational view of the therapeutic tourniquet wrap of FIG. 1;

FIG. 4 is a right side elevational view of the therapeutic tourniquet wrap of FIG. 1, the left side elevational view being a mirror image of FIG. 4;

FIG. 5 is a top plan view of the therapeutic tourniquet wrap of FIG. 1 in a second position with the arms of the therapeutic tourniquet wrap folded towards each other;

FIG. 6 is a cross sectional slice taken at 6-6 of FIG. 5;

FIG. 7 is a cross sectional view of the cross sectional slice taken at 6-6 of FIG. 5, shown in use with the cold/heat pack installed in the pocket;

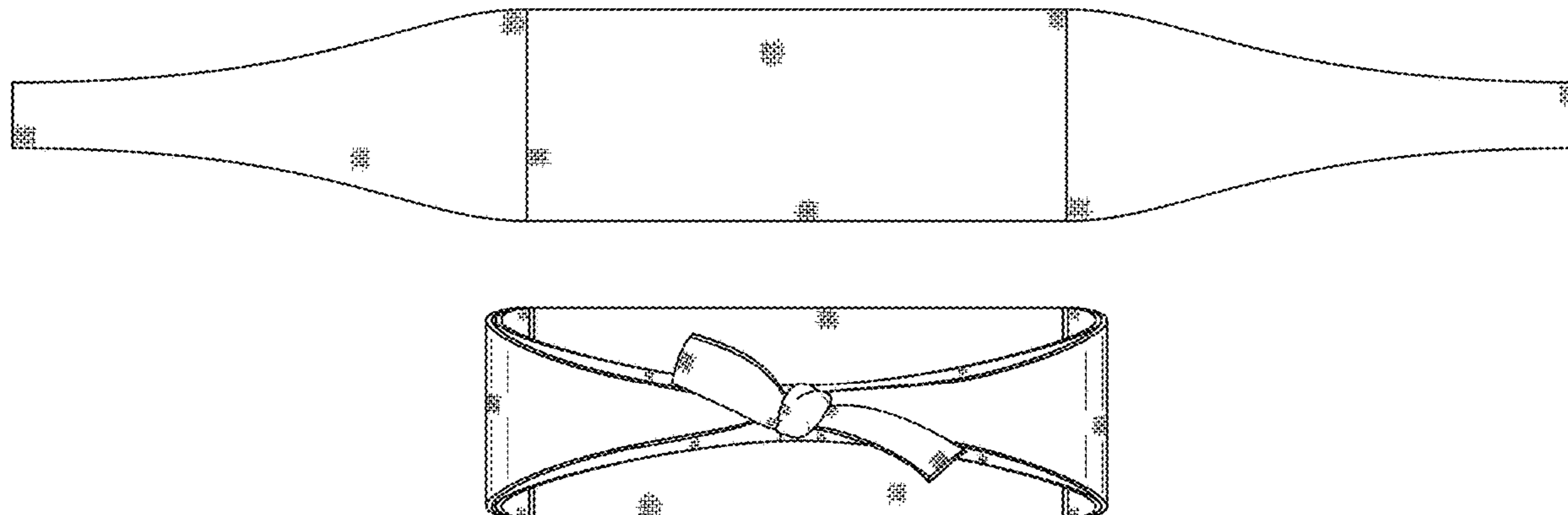
FIG. 8 is a rear elevational view of the therapeutic tourniquet wrap of FIG. 1 in a third position with the arms of the therapeutic tourniquet wrap tied in a knot around inner loop of the therapeutic tourniquet wrap;

FIG. 9 is a rear view of the therapeutic tourniquet wrap of FIG. 1 in the third position, shown in use on a body part; and,

FIG. 10 is a top plan view of the therapeutic tourniquet wrap shown in use of FIG. 9.

The broken lines of FIG. 7 showing a cross section of the cold/heat pack and of FIGS. 9 and 10 showing portions of the body part are for environment illustrative purposes only and form no part of the claimed design. The graphical cross hatch pattern is a symbolic representation of a cloth material that exists uniformly across all surfaces on which it is shown.

1 Claim, 3 Drawing Sheets



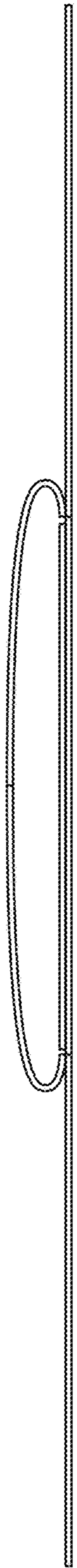


FIG. 2

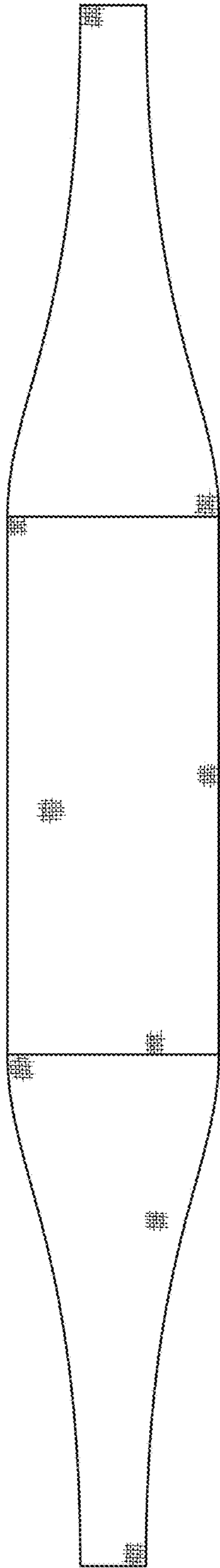


FIG. 1

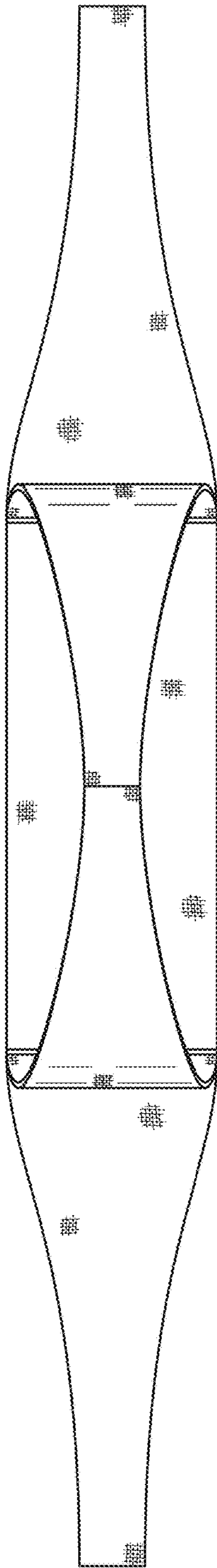


FIG. 3



FIG. 4

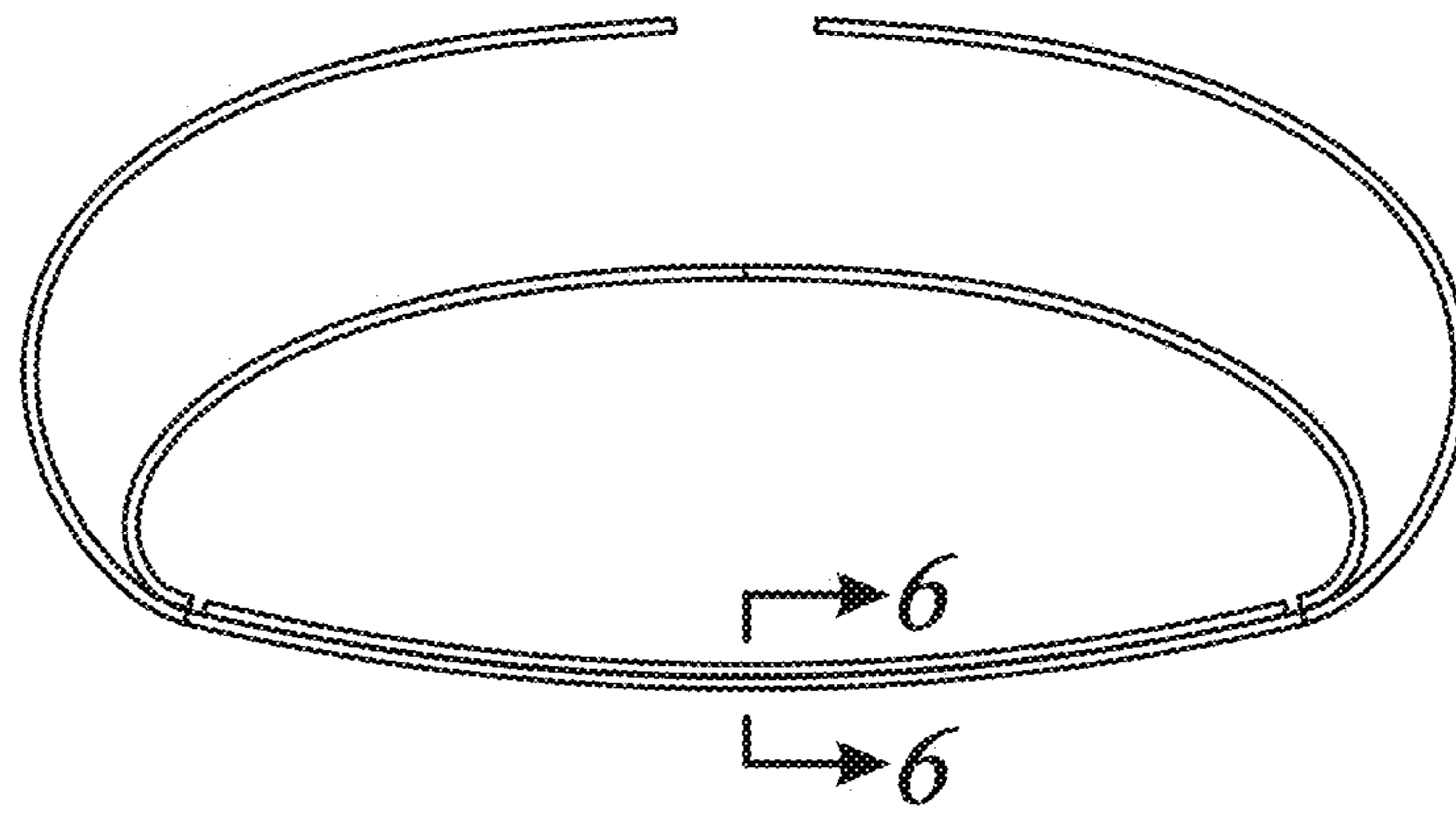


FIG. 5



FIG. 6

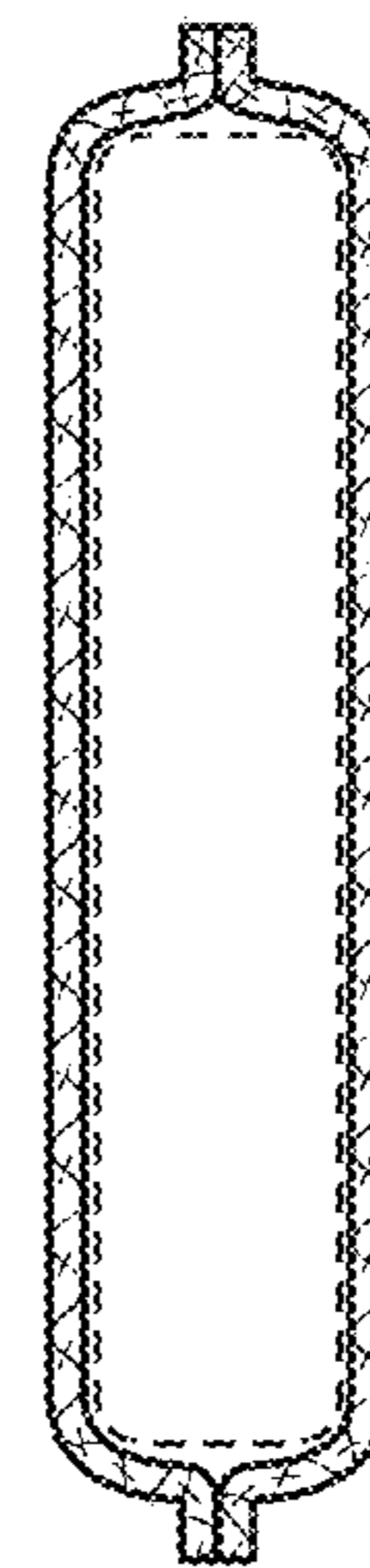


FIG. 7

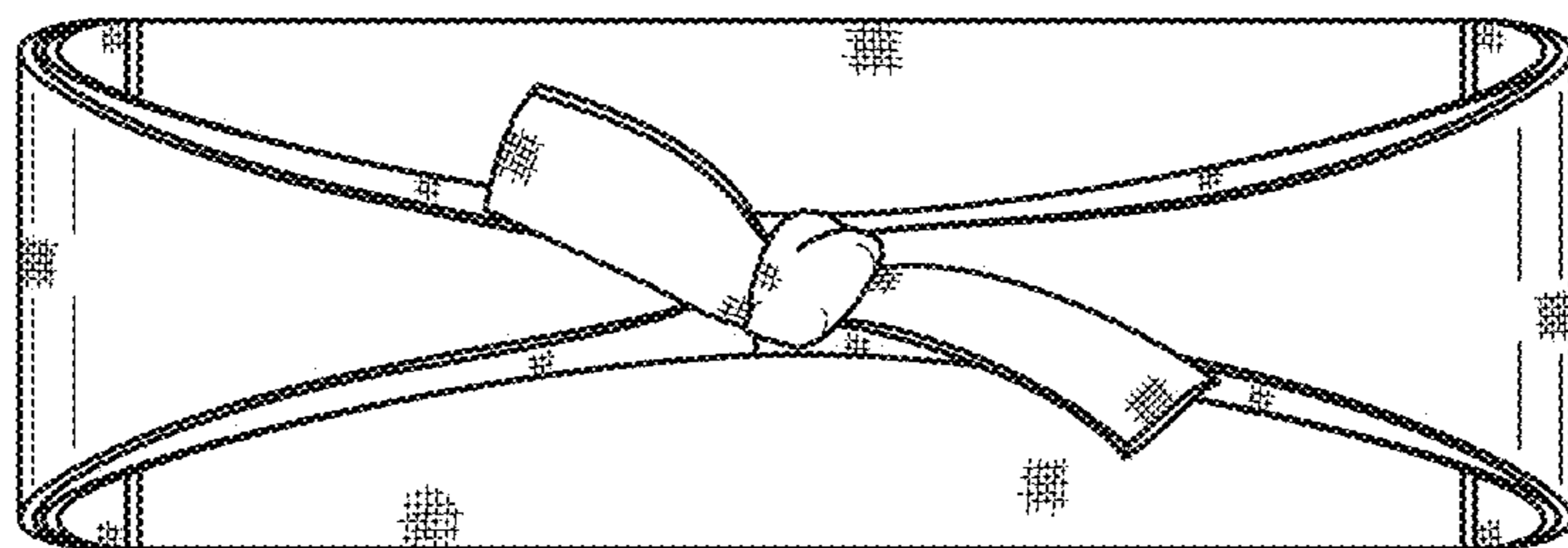


FIG. 8

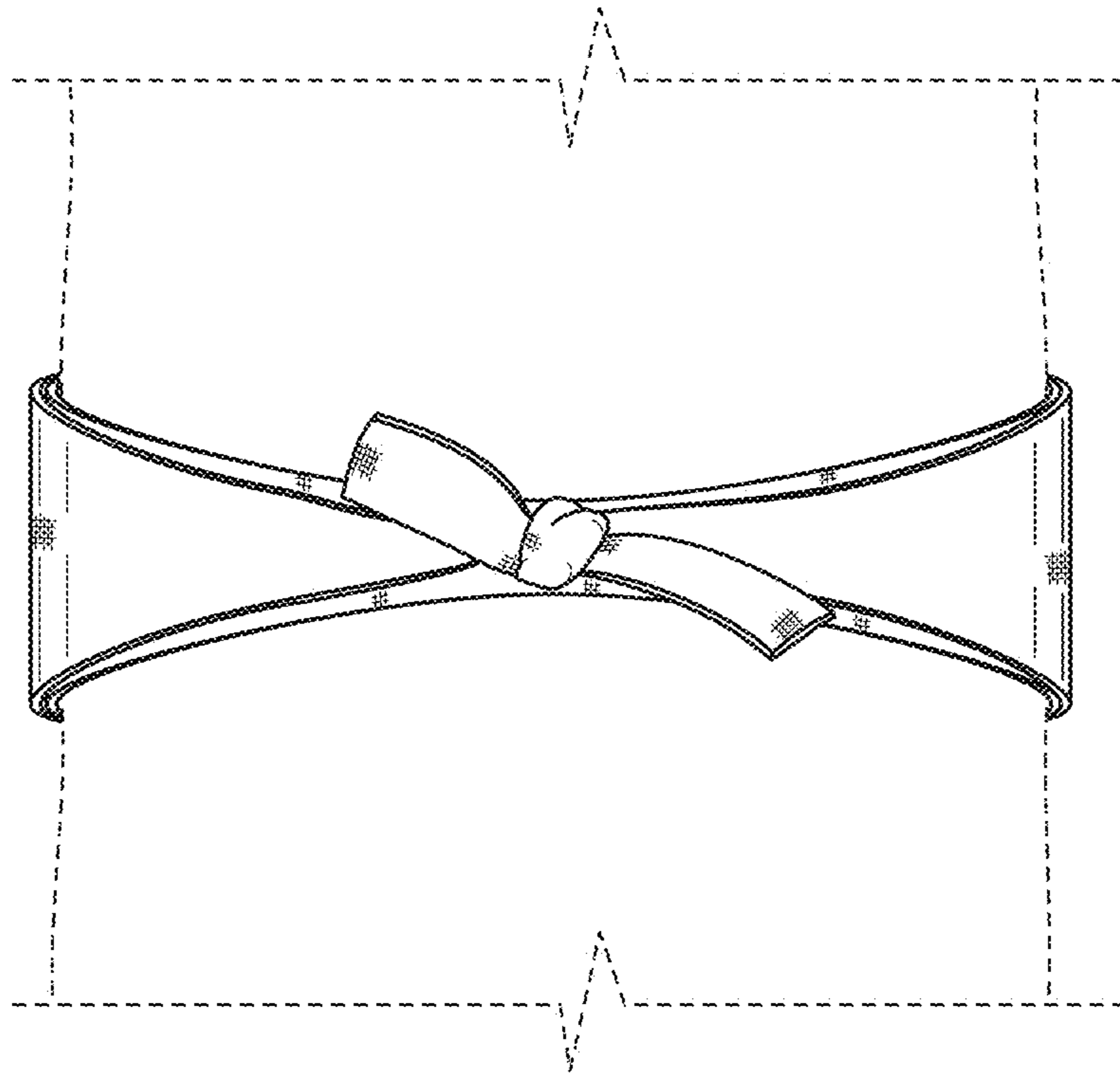


FIG. 9

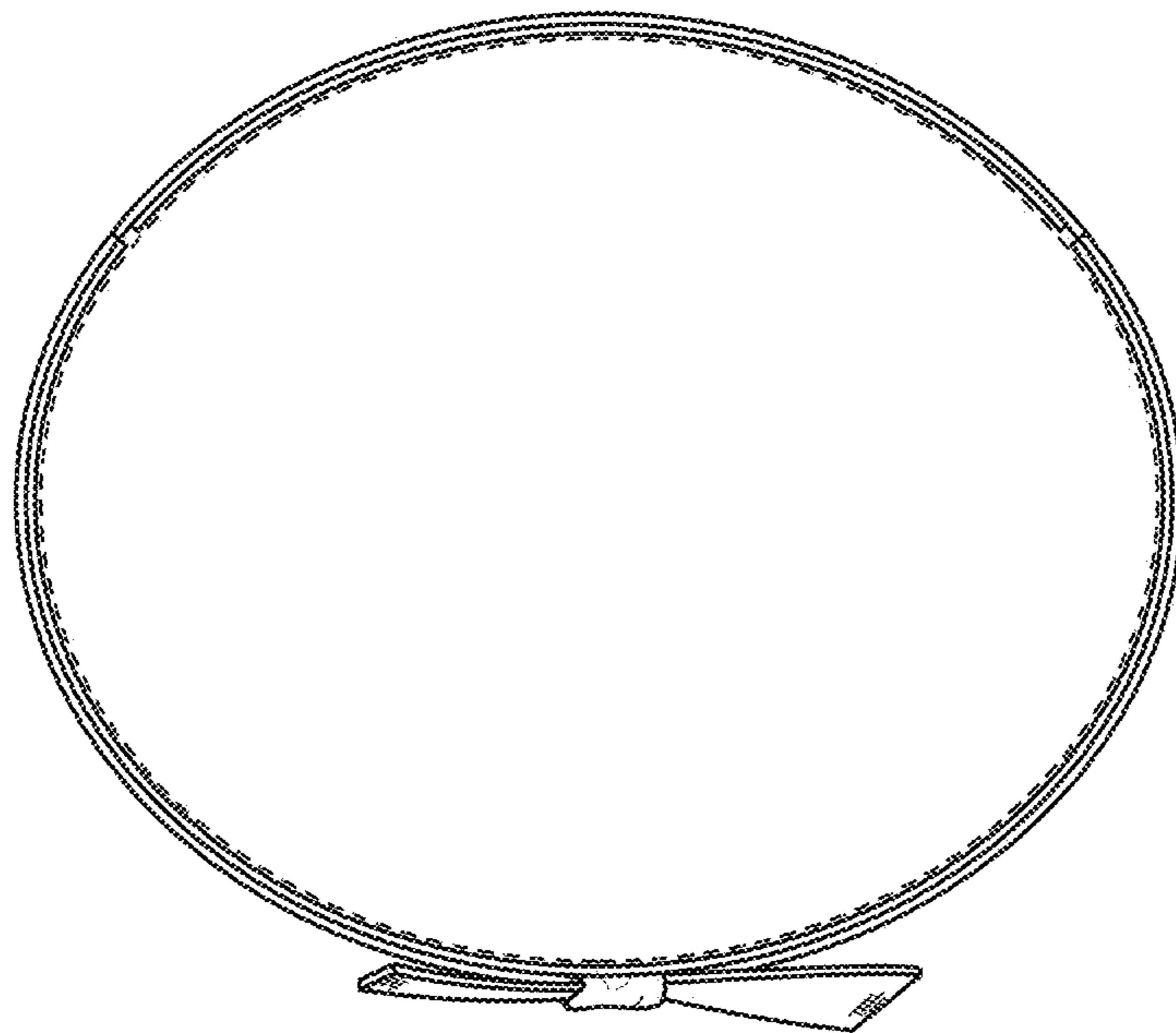


FIG. 10