



US00D886310S

(12) **United States Design Patent**
Richardet

(10) **Patent No.:** **US D886,310 S**
(45) **Date of Patent:** **** Jun. 2, 2020**

(54) **LASER SLIMMING PAD**

(71) Applicant: **The Slim Co, LLC**, Wilmington, NC
(US)

(72) Inventor: **Aaron J. Richardet**, Wilmington, NC
(US)

(73) Assignee: **The Slim Co, LLC**, Wilmington, NC
(US)

(**) Term: **15 Years**

(21) Appl. No.: **29/648,632**

(22) Filed: **May 23, 2018**

(51) **LOC (12) Cl.** **28-03**

(52) **U.S. Cl.**
USPC **D24/200**

(58) **Field of Classification Search**
USPC D24/200, 211, 214–215, 185–186, 206;
D21/682–683

CPC A61H 7/00; A61H 7/001; A61H 7/002;
A61H 7/004; A61H 7/005; A61H
15/0085; A61H 15/0092; A61H 23/02;
A61H 23/0263; A61F 5/0003; A61F
5/0026; A61F 5/0063; A61F 5/0069

See application file for complete search history.

(56) **References Cited**

U.S. PATENT DOCUMENTS

2,547,886 A * 4/1951 Poux A61F 7/02
607/112
D310,416 S * 9/1990 Yamasaki D24/211
5,183,034 A * 2/1993 Yamasaki A61H 7/005
601/113
D384,750 S * 10/1997 Lin D24/215

D445,195 S * 7/2001 Olson D24/200
D613,871 S * 4/2010 Choi D24/200
D830,563 S * 10/2018 Kim D24/200

OTHER PUBLICATIONS

DIA Professional Lipo Laser Slimming Beauty Equipment For Salon Fat Reduce. DIAD. Customer review date: Feb. 25, 2019. Retrieved on Oct. 10, 2019. Retrieved from Internet: https://www.amazon.com/Professional-Slimming-Beauty-Equipment-Reduce/dp/B07GKWCWX8/ref=asc_df_B07GKWCWX8/?tag=hyprod-20&linkCod.*

* cited by examiner

Primary Examiner — Wan Laymon

(74) *Attorney, Agent, or Firm* — Norman E. Lehrer

(57) **CLAIM**

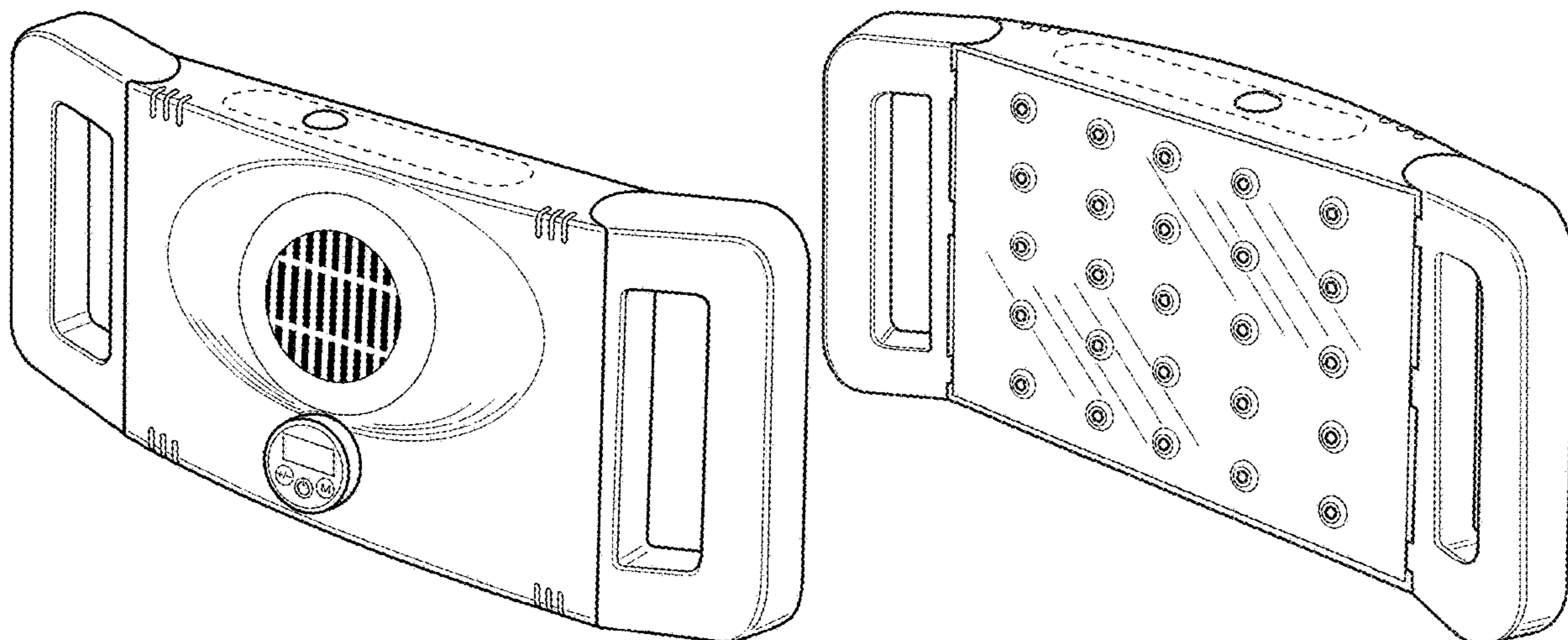
The ornamental design for a laser slimming pad, as shown and described.

DESCRIPTION

FIG. 1 is a front elevational view of a laser slimming pad; FIG. 2 is a rear elevation view; FIG. 3 is a top plan view; FIG. 4 is a bottom plan view; FIG. 5 is a right side elevation view; FIG. 6 is a left side elevation view; FIG. 7 is a front perspective view; and, FIG. 8 is a rear perspective view.

The portions of the laser slimming pad shown in broken lines form no part of the claimed design.

1 Claim, 6 Drawing Sheets



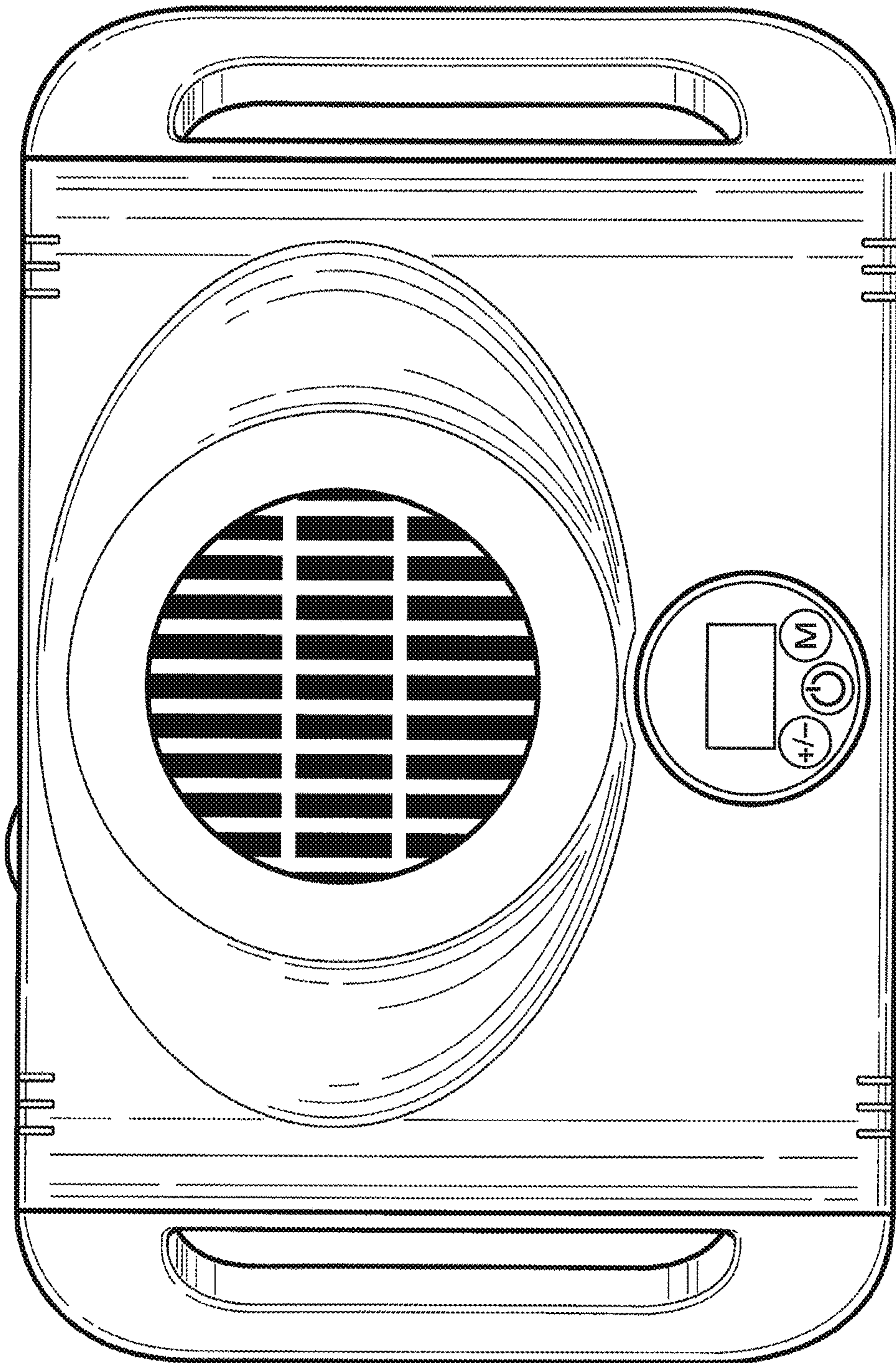


FIG. 1

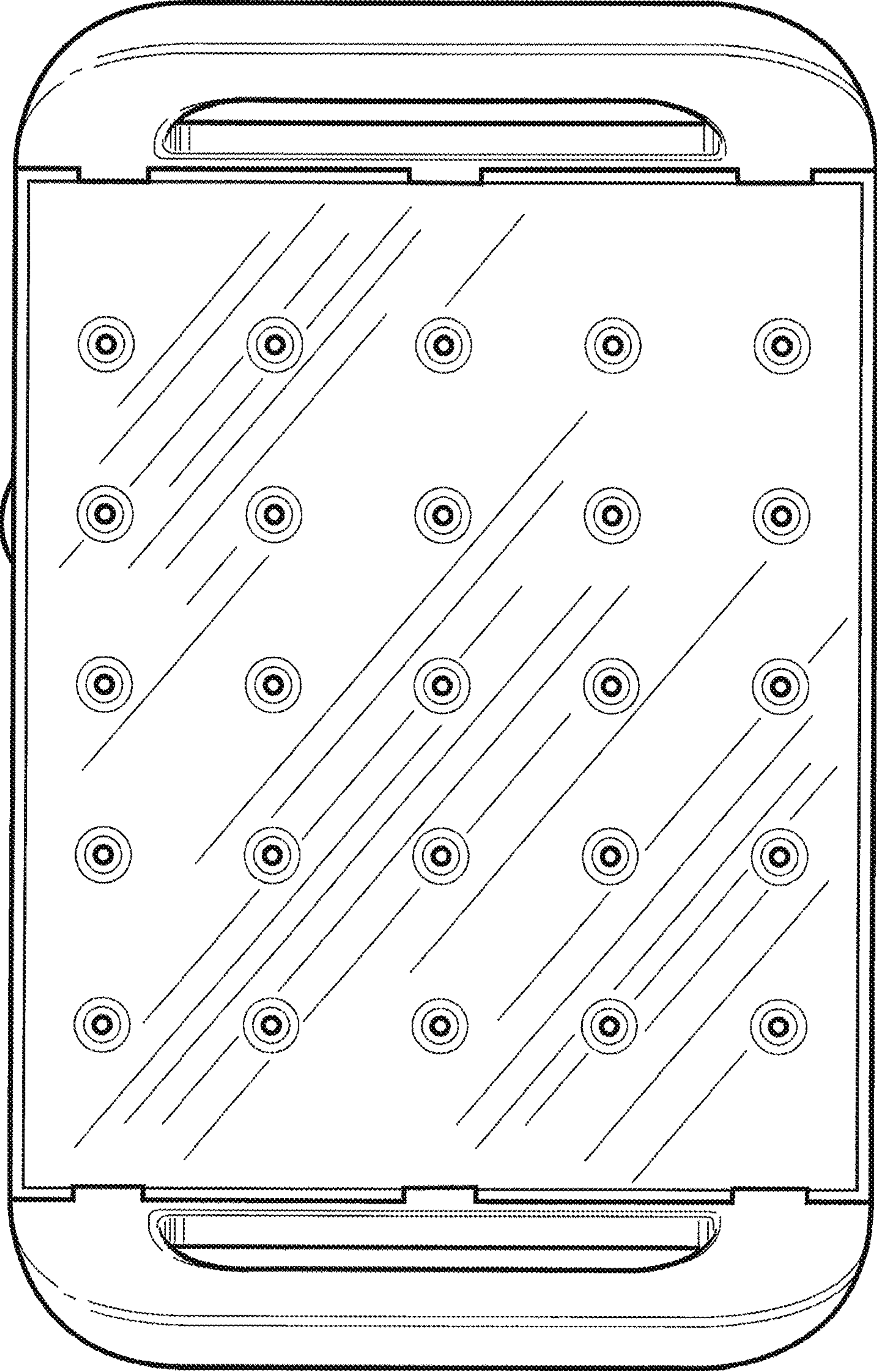


FIG. 2

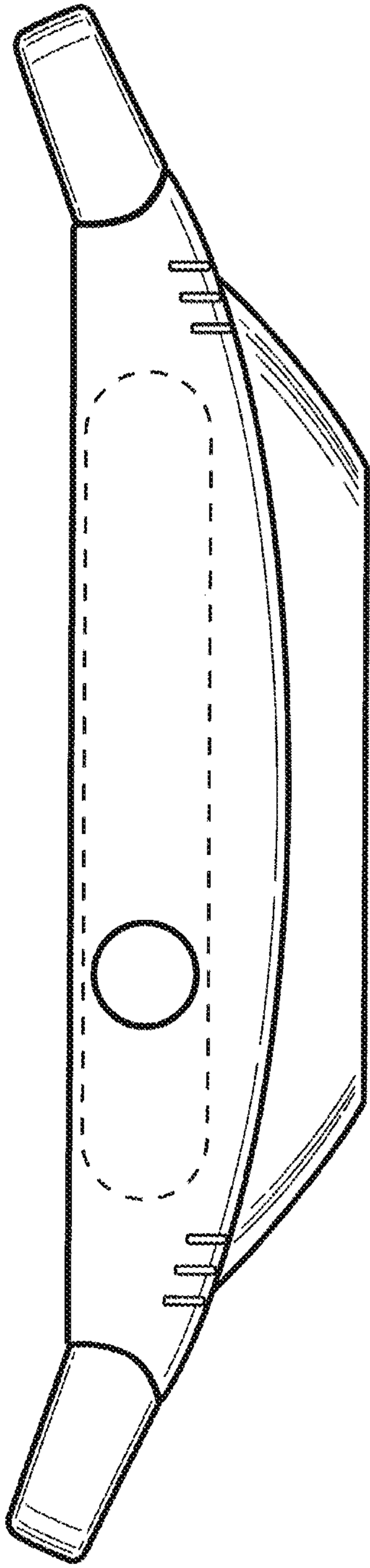


FIG. 3

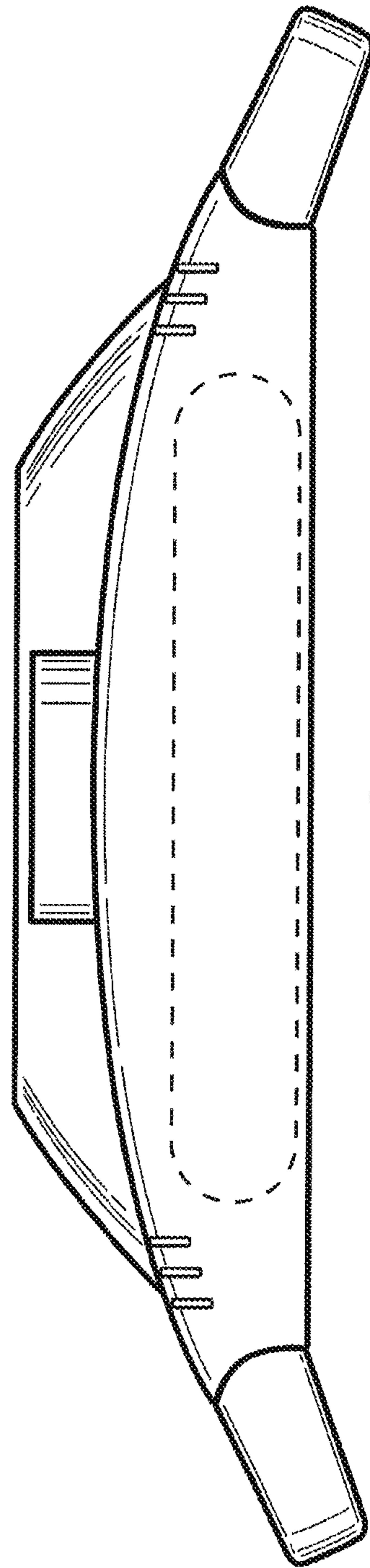


FIG. 4

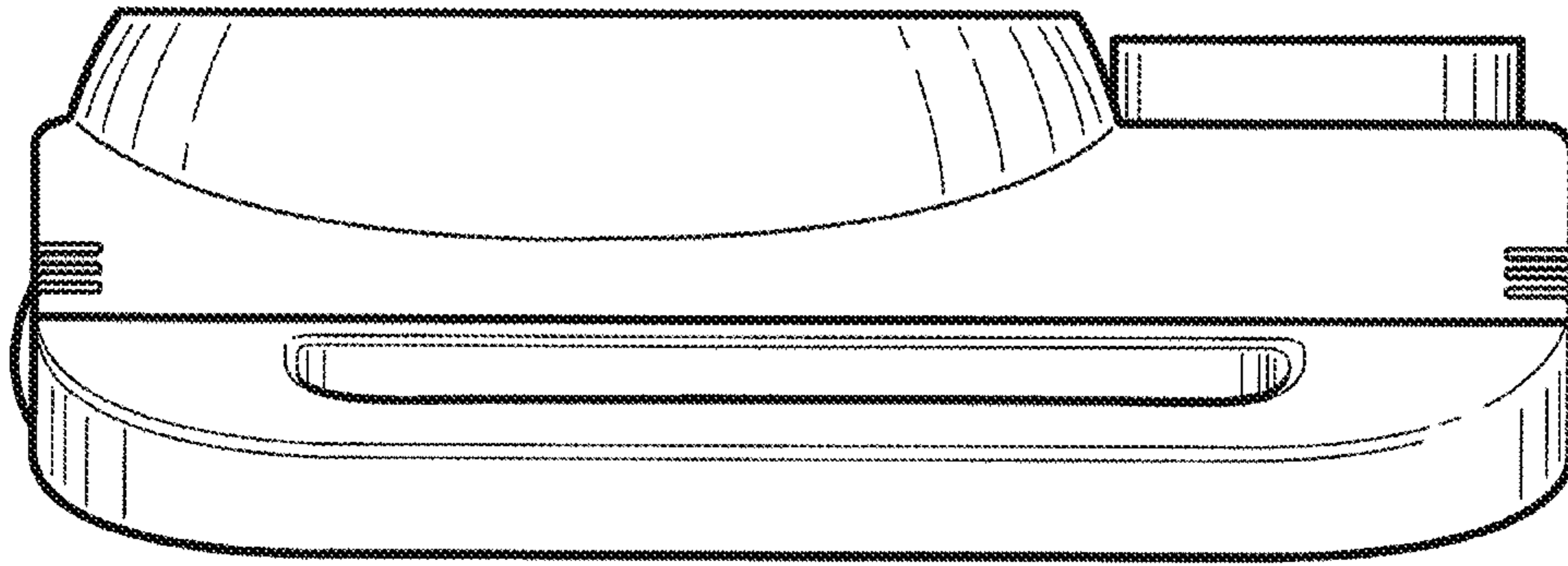


FIG. 6

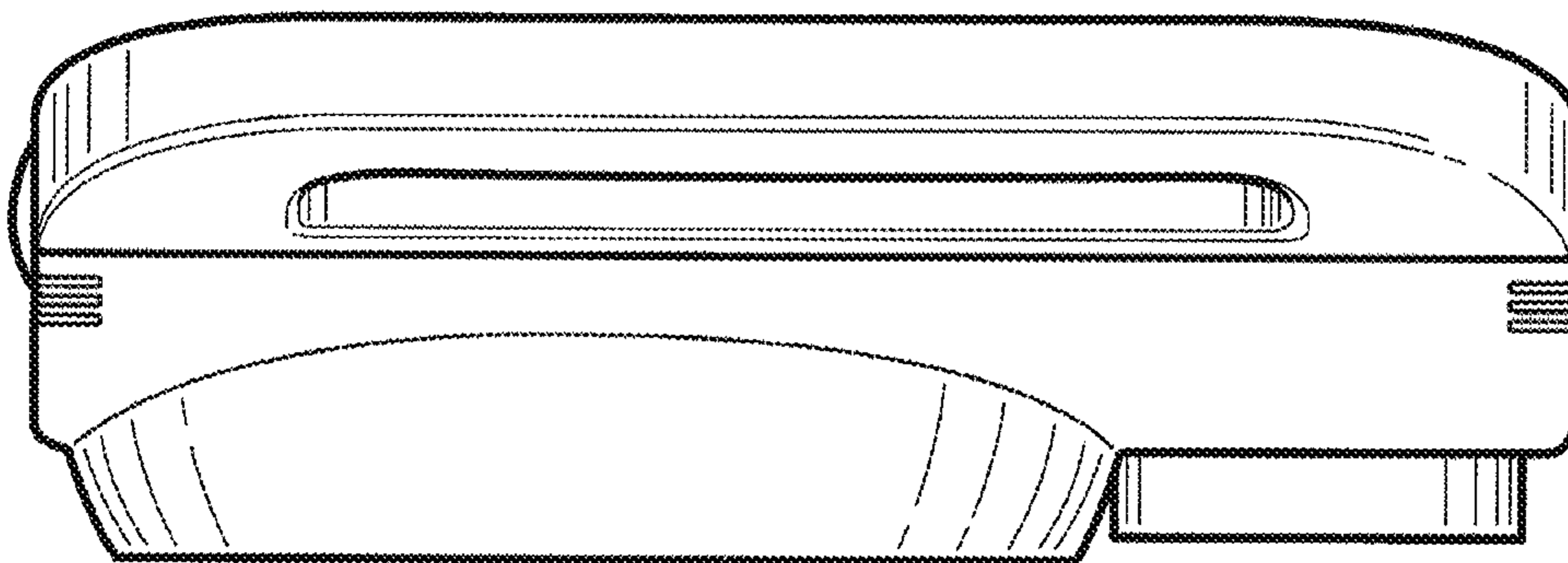


FIG. 5

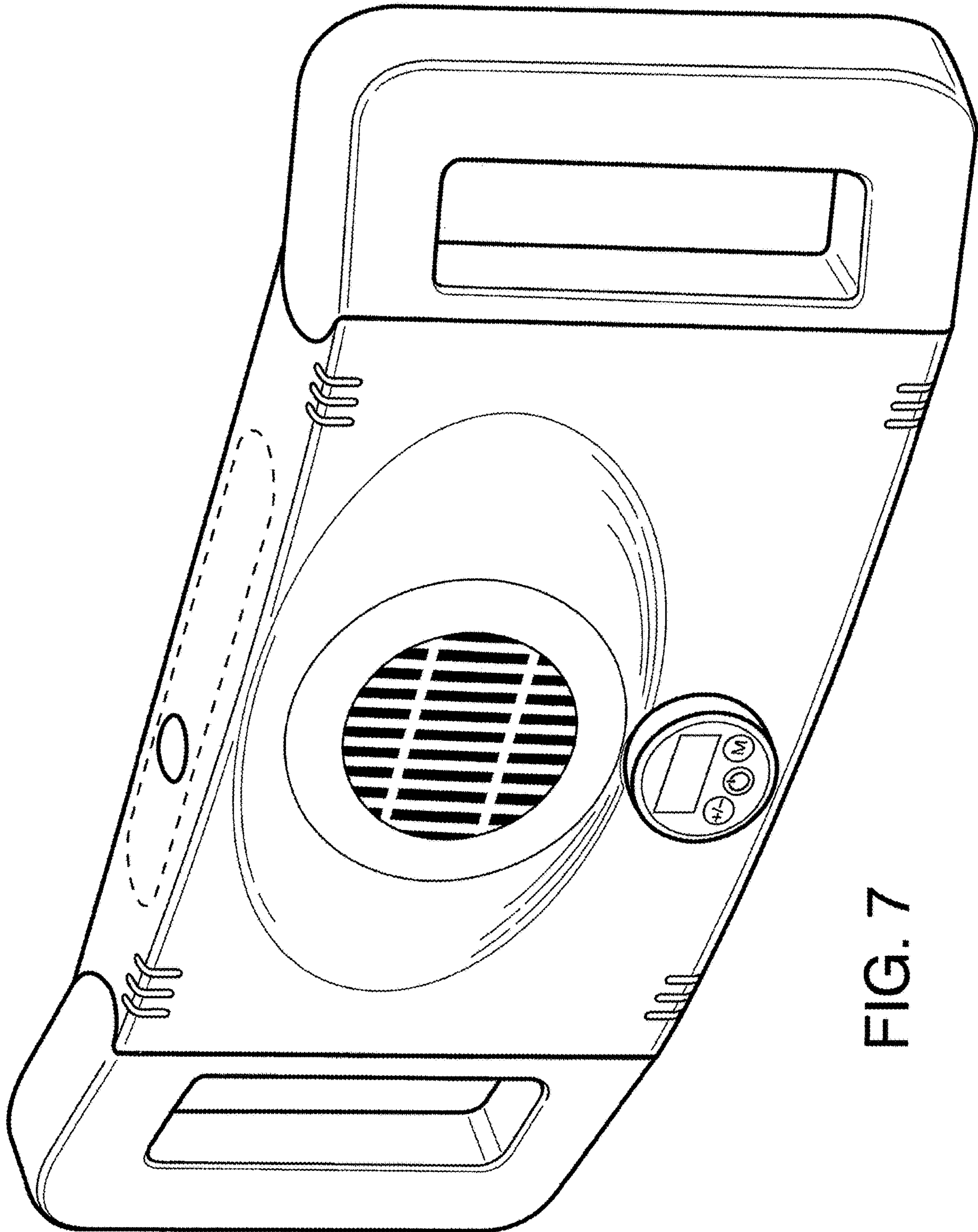


FIG. 7

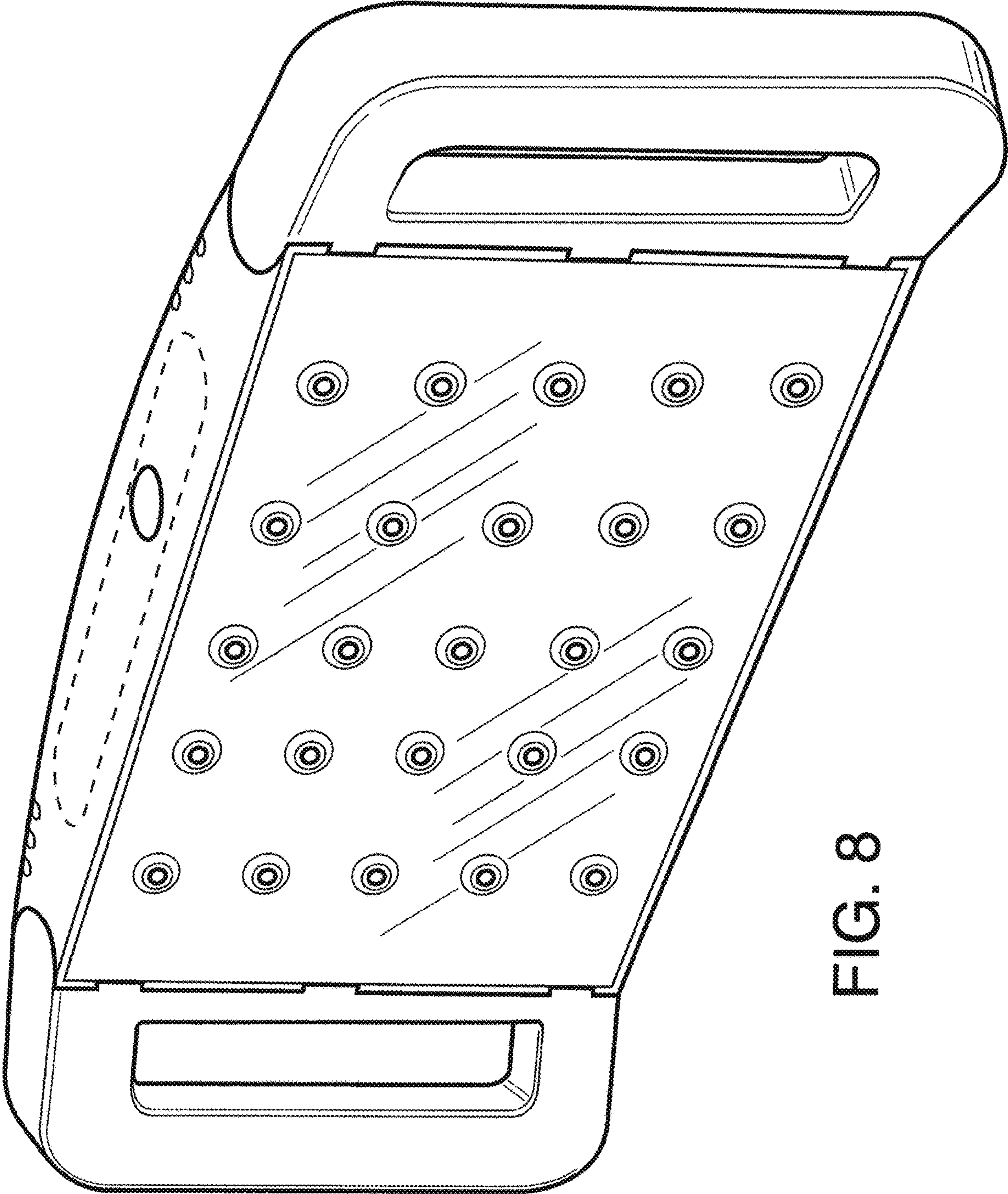


FIG. 8