



US00D886309S

(12) **United States Design Patent**
Esnard

(10) **Patent No.:** **US D886,309 S**
(45) **Date of Patent:** **** Jun. 2, 2020**

- (54) **MULTIPLE NIPPLE BOTTLE**
- (71) Applicant: **Joshua Nickev Esnard**, Chapel Hill, NC (US)
- (72) Inventor: **Joshua Nickev Esnard**, Chapel Hill, NC (US)

D459,404 S * 6/2002 Perez D21/713
 D489,494 S * 5/2004 Silvergate D21/713
 6,729,984 B2 * 5/2004 Silvergate A63B 43/00
 273/157 R
 D497,191 S * 10/2004 Shore D21/709
 D514,263 S * 1/2006 Willinger D21/713
 D563,609 S * 3/2008 Gick D30/160

(Continued)

(**) Term: **15 Years**

OTHER PUBLICATIONS

(21) Appl. No.: **29/629,910**

“Ba Baby Bottle Holder, Pink.” Found online May 21, 2019 at www.amazon.com. Product reviewed Jan. 31, 2015. Retrieved from URL: <https://www.amazon.com/Ba-Baby-Bottle-Holder-Pink/dp/B006LKX0XC> (Year: 2015).*

(22) Filed: **Dec. 18, 2017**

(Continued)

(51) **LOC (12) Cl.** **07-01**

(52) **U.S. Cl.**
USPC **D24/199**

(58) **Field of Classification Search**
USPC D24/135, 194, 197, 198, 199; D30/160;
D21/475, 707, 713, 431, 452, 552, 600,
D21/608, 712
CPC A61J 17/001; A61J 17/02; A63B 2208/12
See application file for complete search history.

Primary Examiner — Mary Ann Calabrese
Assistant Examiner — Katelin G Kloberg
(74) *Attorney, Agent, or Firm* — Nancy J. Flint, Attorney At Law, P.A.; Nancy J. Flint, Esq.

(57) **CLAIM**

(56) **References Cited**

The ornamental design for a multiple nipple bottle, as shown and described.

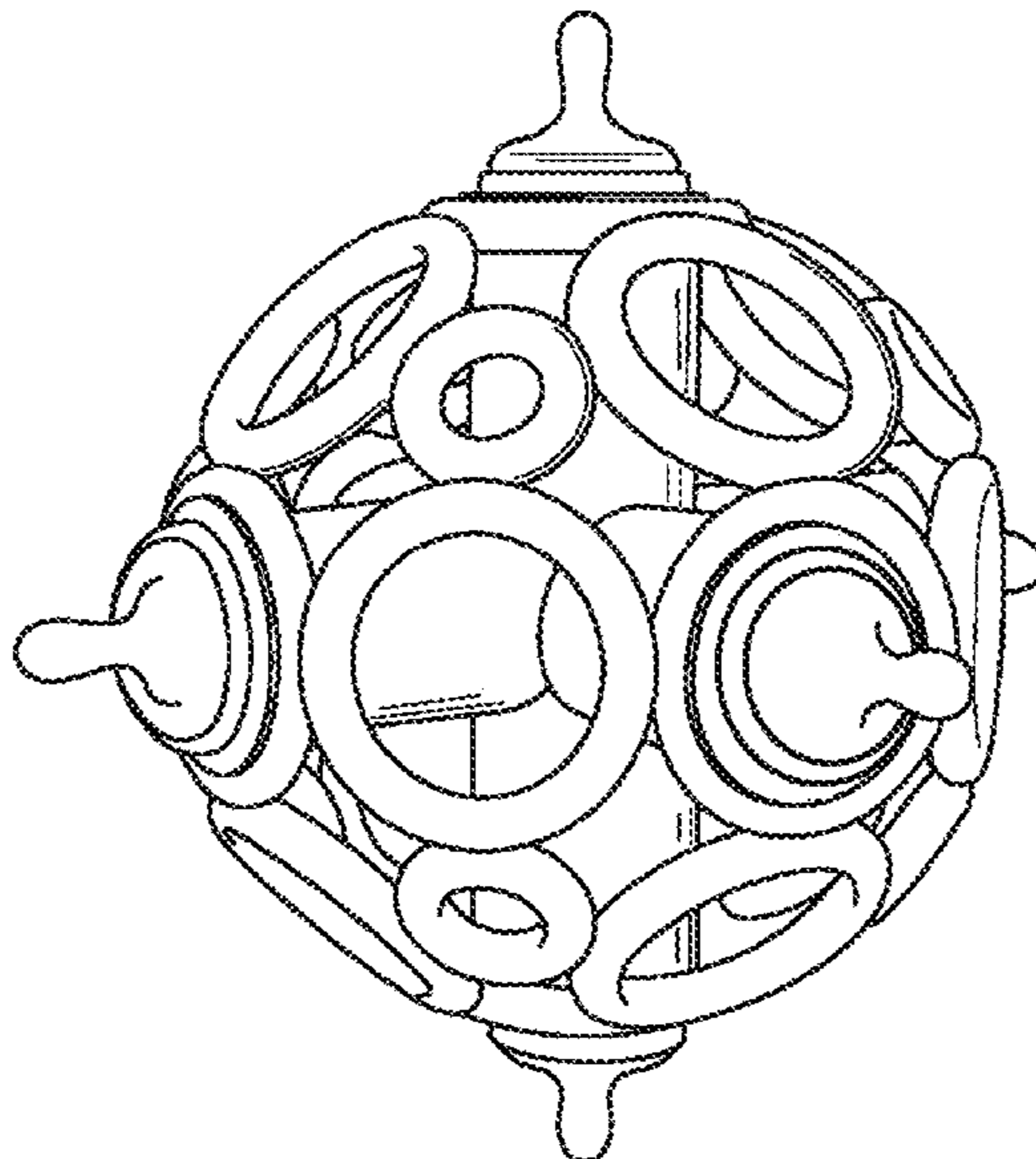
U.S. PATENT DOCUMENTS

DESCRIPTION

- 1,483,165 A * 2/1924 Eaton A63B 69/3655
473/281
- D200,618 S * 3/1965 Proctor D24/194
- 3,274,596 A * 9/1966 Raabe H01Q 1/082
342/10
- 3,603,023 A * 9/1971 McHugh A63H 33/00
446/431
- 3,633,587 A * 1/1972 Hunt A63H 5/00
446/409
- D284,493 S * 7/1986 King D21/713
- D288,127 S * 2/1987 Simmons D24/198
- D314,455 S * 2/1991 Morton D30/160
- D321,319 S * 11/1991 Giuseppe D23/366
- D341,206 S * 11/1993 Tsuji D24/197
- D359,094 S * 6/1995 Brovelli D21/466
- D402,761 S * 12/1998 Jones D24/199
- D408,921 S * 4/1999 Wexler D24/194

FIG. 1 is a perspective view of a multiple nipple bottle showing my new design;
FIG. 2 is a front elevation view thereof, with the rear elevation view, right side view, left side elevation view, top plan and bottom plan views being a mirror image thereof; and,
FIG. 3 is a cross-section view taken along line 3-3 of FIG. 2.
Broken lines in FIG. 3 form no part of the claimed design. Hatch lines in FIG. 3 depict internal structure not visible from the exterior that do not form a part of the design sought to be patented.

1 Claim, 2 Drawing Sheets



(56)

References Cited

U.S. PATENT DOCUMENTS

D582,035 S * 12/2008 Morrison D24/106
 D594,606 S * 6/2009 DeSeguirant, Jr. D30/160
 D596,248 S * 7/2009 Silverglate D21/398
 D604,370 S * 11/2009 Hume D21/478
 D635,685 S * 4/2011 Hendricks D24/199
 8,052,552 B2 * 11/2011 Silverglate A63H 5/00
 446/419
 D650,874 S * 12/2011 Williams D21/398
 D690,376 S * 9/2013 Silverglate D21/712
 D690,785 S * 10/2013 Silverglate D21/713
 8,932,101 B2 * 1/2015 Silverglate A63H 5/00
 446/450
 D724,679 S * 3/2015 Martyn D21/707
 D782,753 S * 3/2017 Eisenbarth D21/713
 D783,738 S * 4/2017 Elson D21/608
 D799,613 S * 10/2017 Dillon D21/713
 D827,041 S * 8/2018 Brand D21/452
 D827,052 S * 8/2018 Flores D21/552
 D831,135 S * 10/2018 Lindsey D21/707

D837,308 S * 1/2019 Elson D21/600
 D837,898 S * 1/2019 Flores D21/431
 D843,492 S * 3/2019 Brand D21/475
 2010/0179593 A1 * 7/2010 Lamar A61J 17/007
 606/236

OTHER PUBLICATIONS

“Honeypie Baby Bottle Holder.” Found online May 21, 2019 at www.amazon.com. Product reviewed Feb. 25, 2017. Retrieved from URL: <https://www.amazon.com/Honeypie-Bottles-Premium-Silicone-Handles/dp/B06X3W94XK> (Year: 2017).*

“Hevea—Baby Glass Natural Rubber Bottle.” Found online May 21, 2019 at www.amazon.ca. Product first available Sep. 12, 2016. Retrieved from URL: <https://www.amazon.ca/Hevea-Natural-Rubber-Bottle-colours/dp/B01GGL4BLK> (Year: 2016).*

“New Mama Newborn Tips, Hacks, and Tricks.” Found online May 21, 2019 at www.frugalcouponliving.com. Page dated Apr. 24, 2016. Retrieved from URL: <https://www.frugalcouponliving.com/newborn-tips/> (Year: 2016).*

* cited by examiner

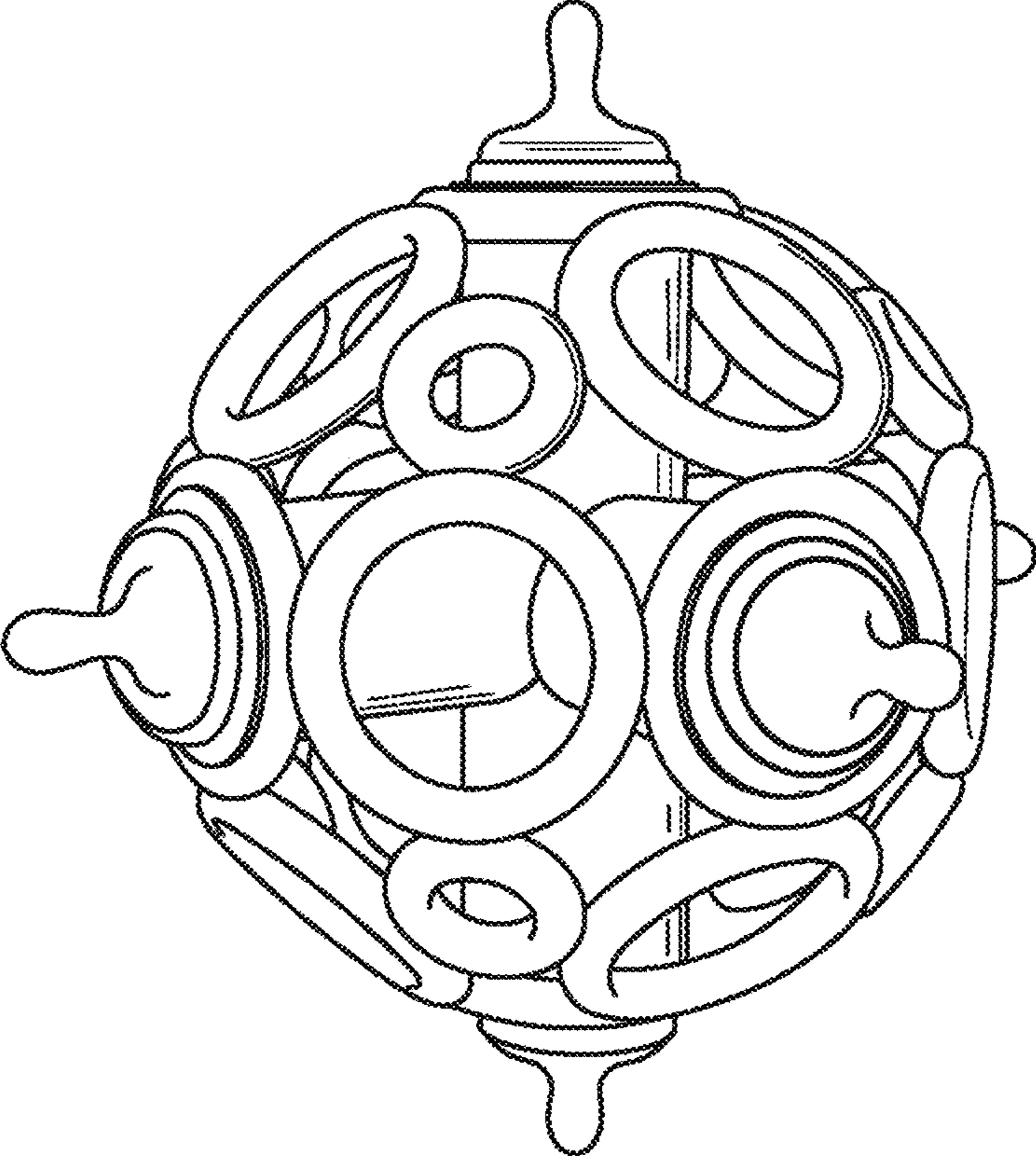


Fig. 1

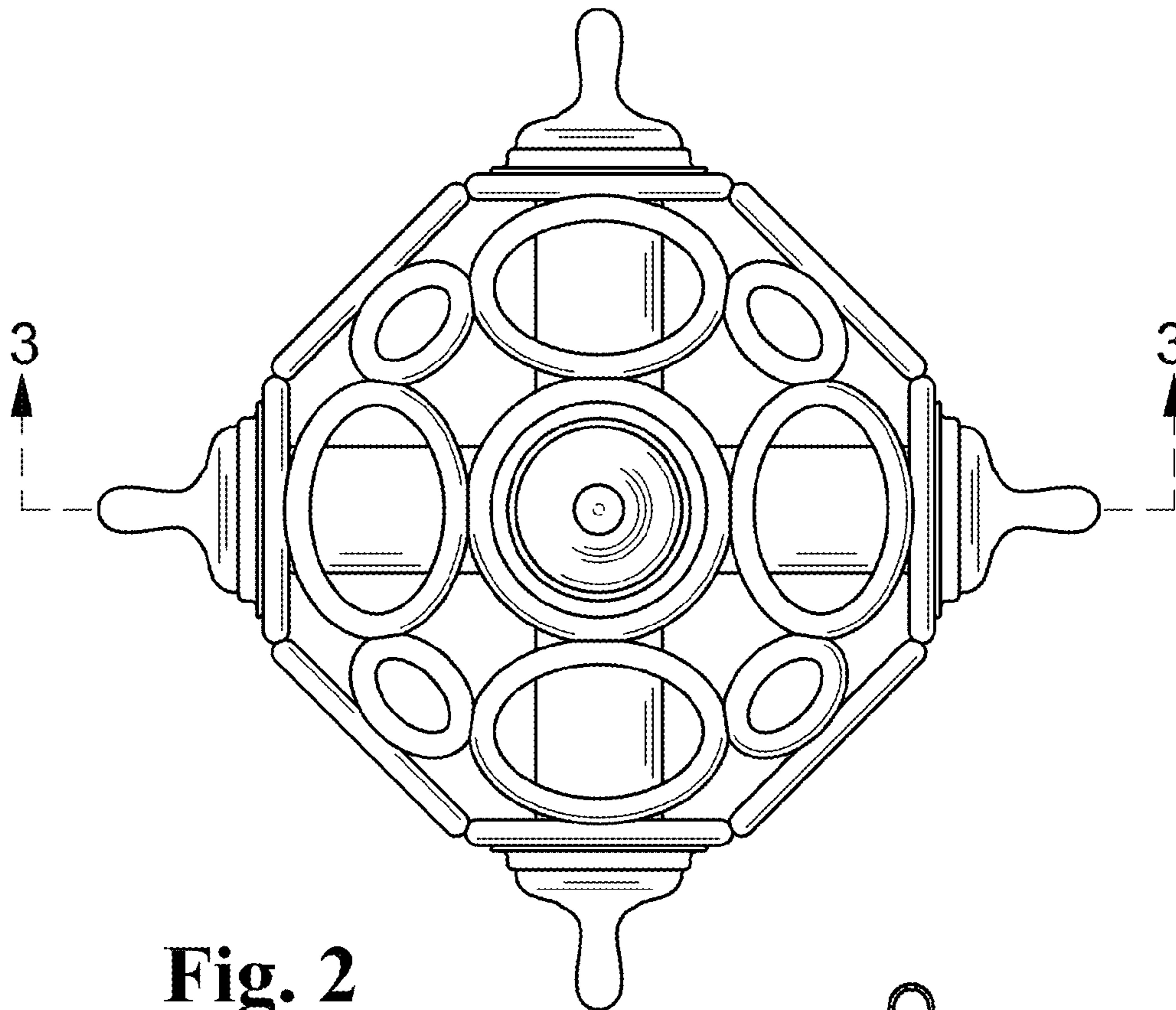


Fig. 2

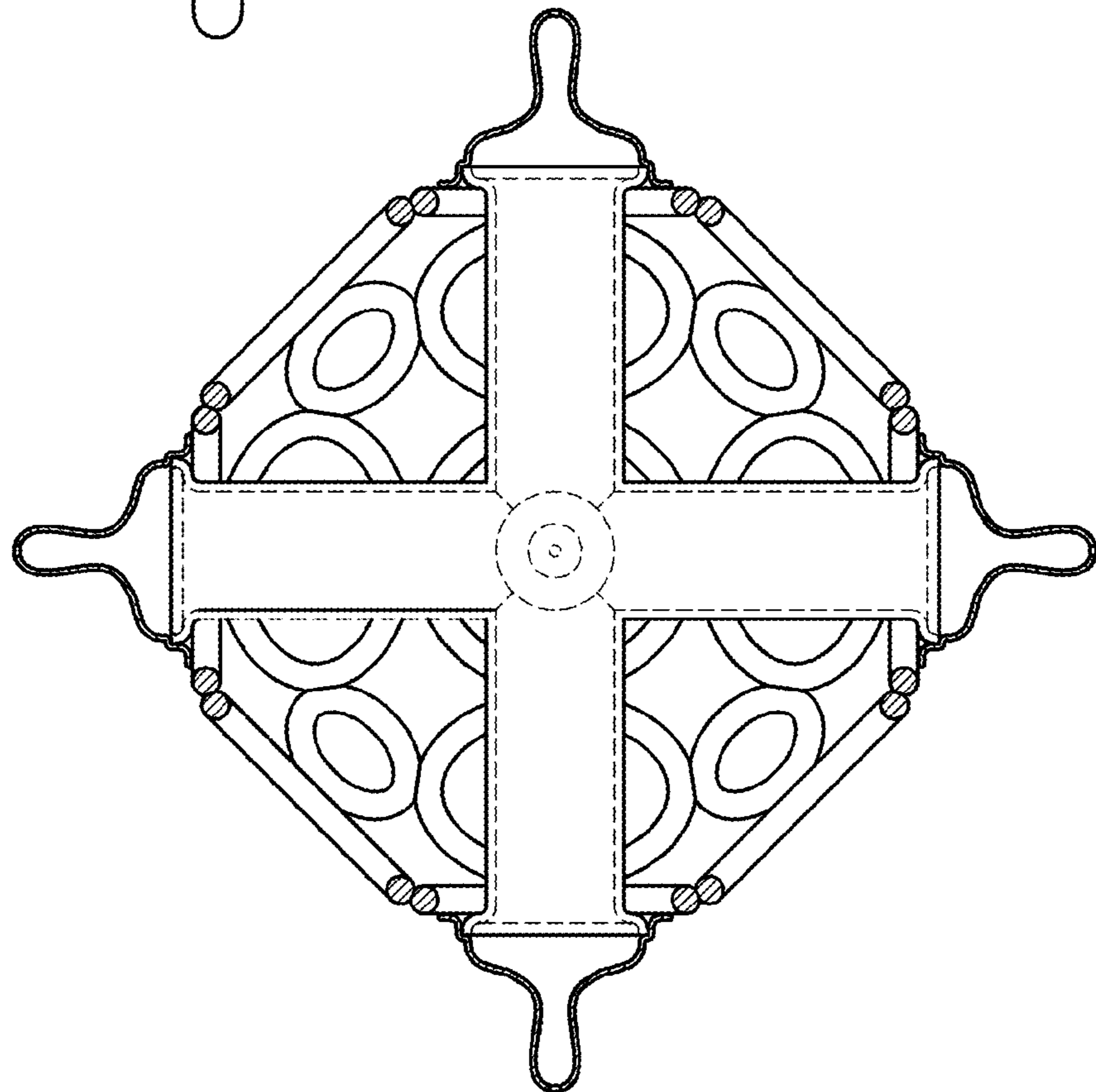


Fig. 3