



US00D886308S

(12) **United States Design Patent**
Kersen et al.

(10) **Patent No.:** **US D886,308 S**
(45) **Date of Patent:** **** Jun. 2, 2020**

(54) **TOE SEPARATOR**

(71) Applicants: **Lawrence Kersen**, Boonton, NJ (US);
Marty Vogel, Flushing, NY (US)

(72) Inventors: **Lawrence Kersen**, Boonton, NJ (US);
Marty Vogel, Flushing, NY (US)

(73) Assignee: **Poly-Gel L.L.C.**, Whippany, NJ (US)

(**) Term: **15 Years**

(21) Appl. No.: **29/648,597**

(22) Filed: **May 22, 2018**

(51) **LOC (12) Cl.** **24-04**

(52) **U.S. Cl.**
USPC **D24/192**

(58) **Field of Classification Search**
USPC D24/188–192, 200, 206, 214, 215
CPC A61F 13/00021; A61F 13/0203; A61F
13/066

See application file for complete search history.

(56) **References Cited**

U.S. PATENT DOCUMENTS

2,268,777	A *	1/1942	Scholl	A61F 13/02 128/894
D531,790	S *	11/2006	Wurzburg	D2/961
D570,488	S *	6/2008	Kirksey	D24/189
D664,755	S *	8/2012	Gavrieli	D2/962
D717,452	S *	11/2014	Boggs	D24/189
D813,464	S *	3/2018	Echeverri	D29/121.1
D838,374	S *	1/2019	Bannwart	D24/189
D841,172	S *	2/2019	Bannwart	D24/189

OTHER PUBLICATIONS

Amazon. NatraCure Advanced Gel Toe Separator (with Toe Loop)—
Toe Spacer—Medium—(1105-M CAT 2PK). Jun. 29, 2016. <https://amzn.to/2lBn25k> (Year: 2016).*

* cited by examiner

Primary Examiner — Darcey E Gottschalk

(74) *Attorney, Agent, or Firm* — Edwin D. Schindler

(57) **CLAIM**

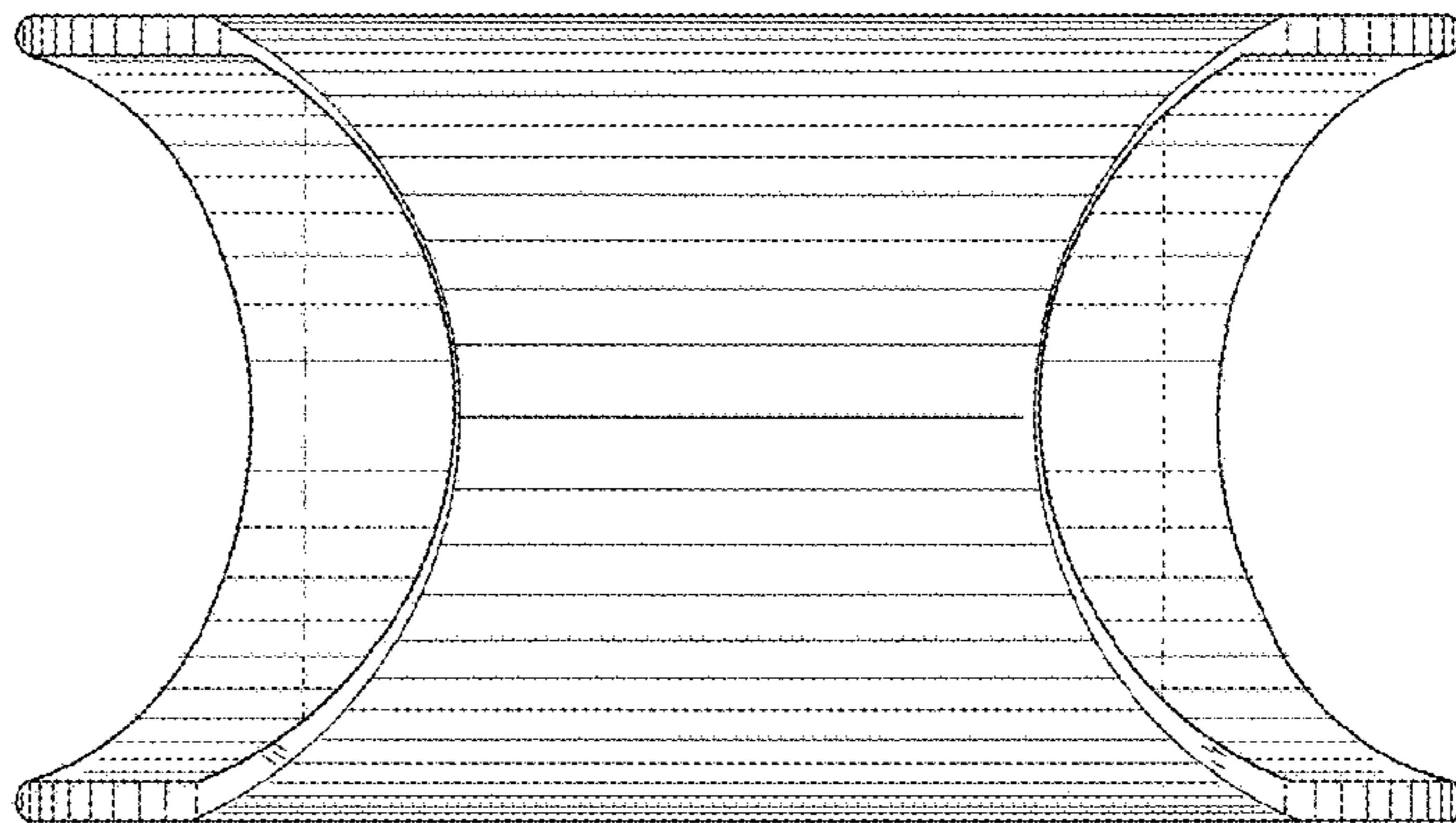
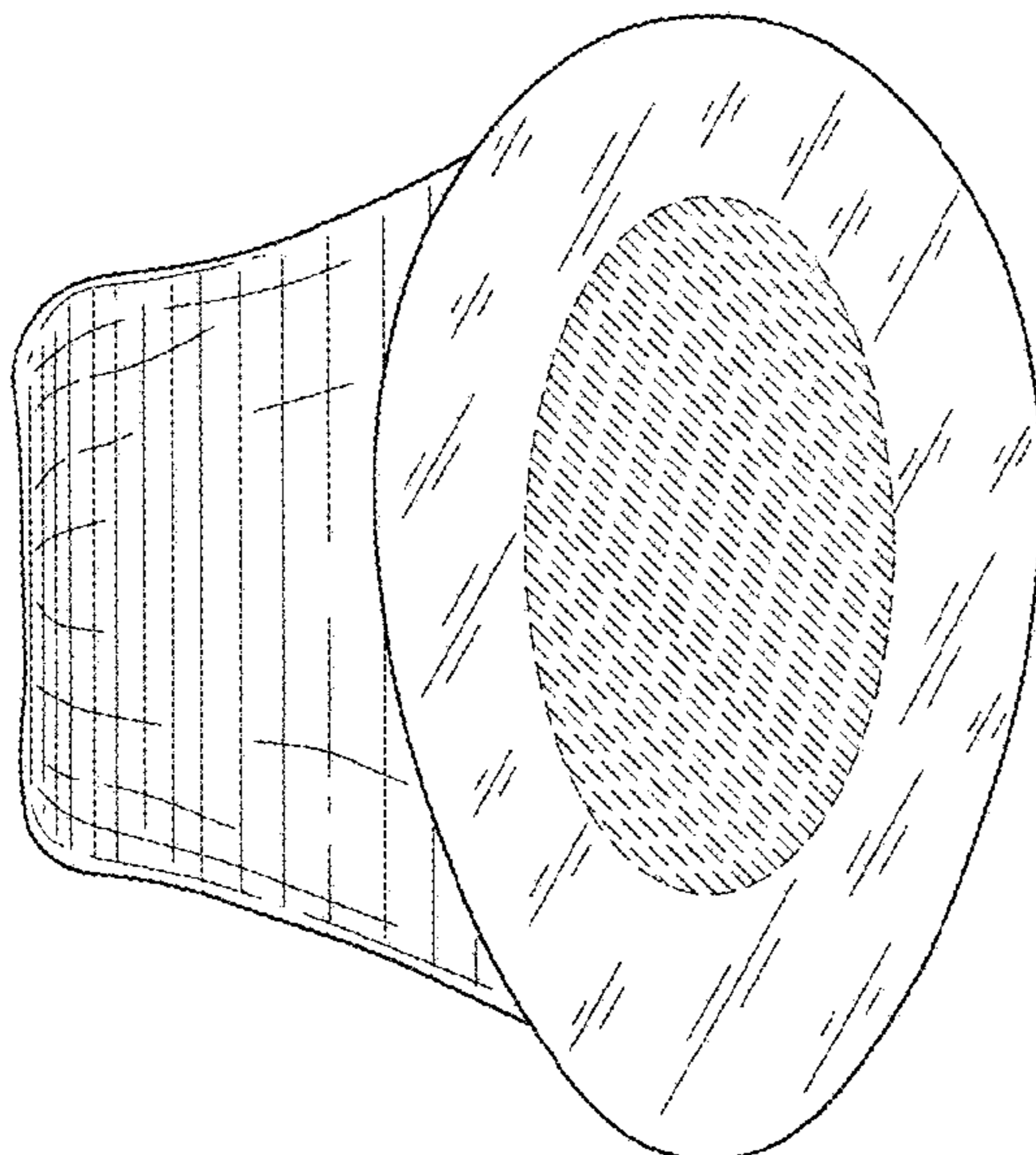
The ornamental design for a toe separator, as shown and described.

DESCRIPTION

FIG. 1 is a left perspective view of the toe separator of the present design with an insert therein;
FIG. 2 is a right perspective view of the toe separator of the design of FIG. 1 without the insert therein;
FIG. 3 is a rear view of the toe separator of the design of FIG. 1;
FIG. 4 is a front view of the toe separator of the design of FIG. 1;
FIG. 5 is a left-side view of the toe separator of the design of FIG. 1; and,
FIG. 6 is a right-side view of the toe separator of the design of FIG. 1.

In the drawing, the broken lines show portions of a toe separator that form no part of the claim.

1 Claim, 6 Drawing Sheets



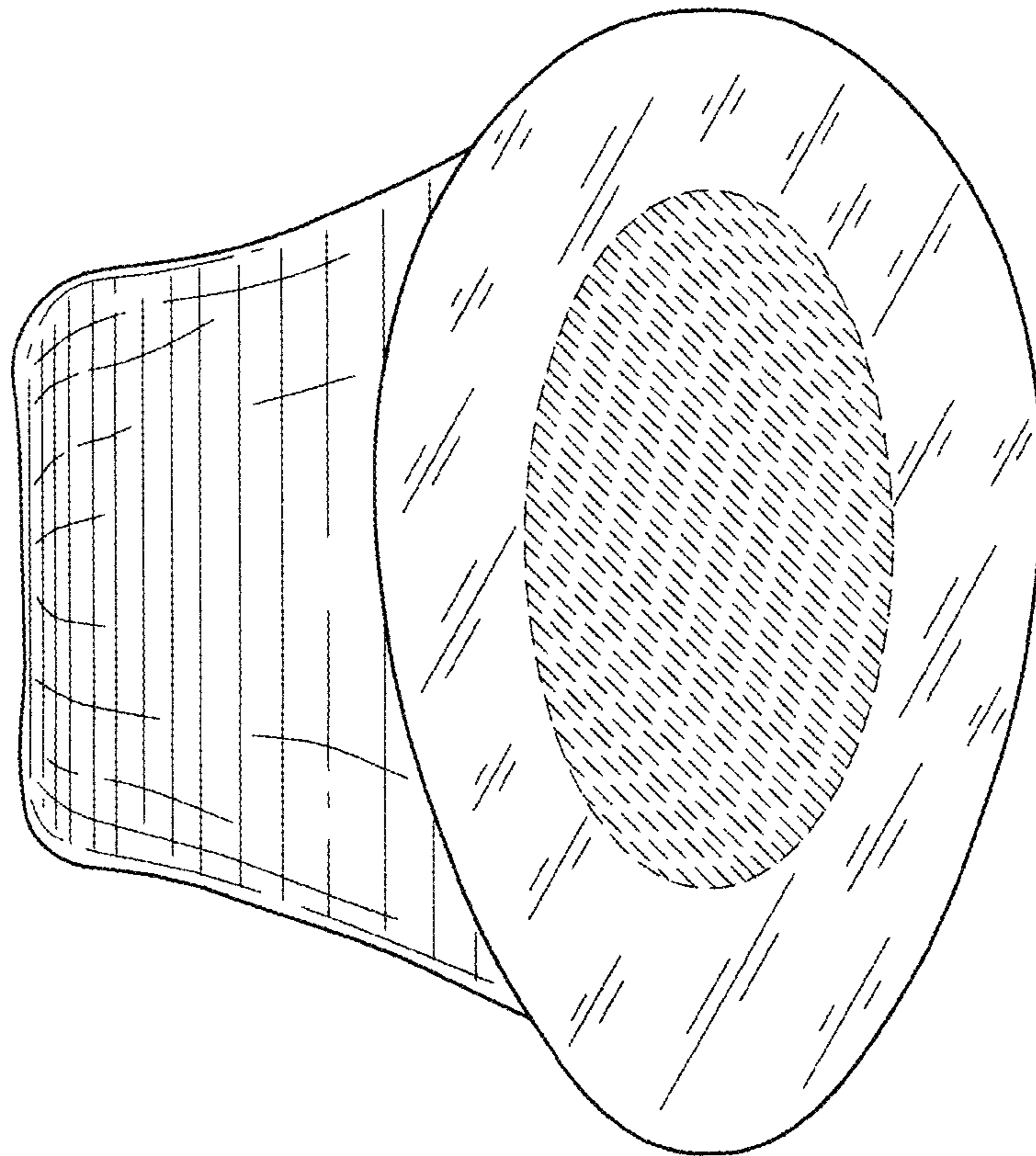


FIG. 1

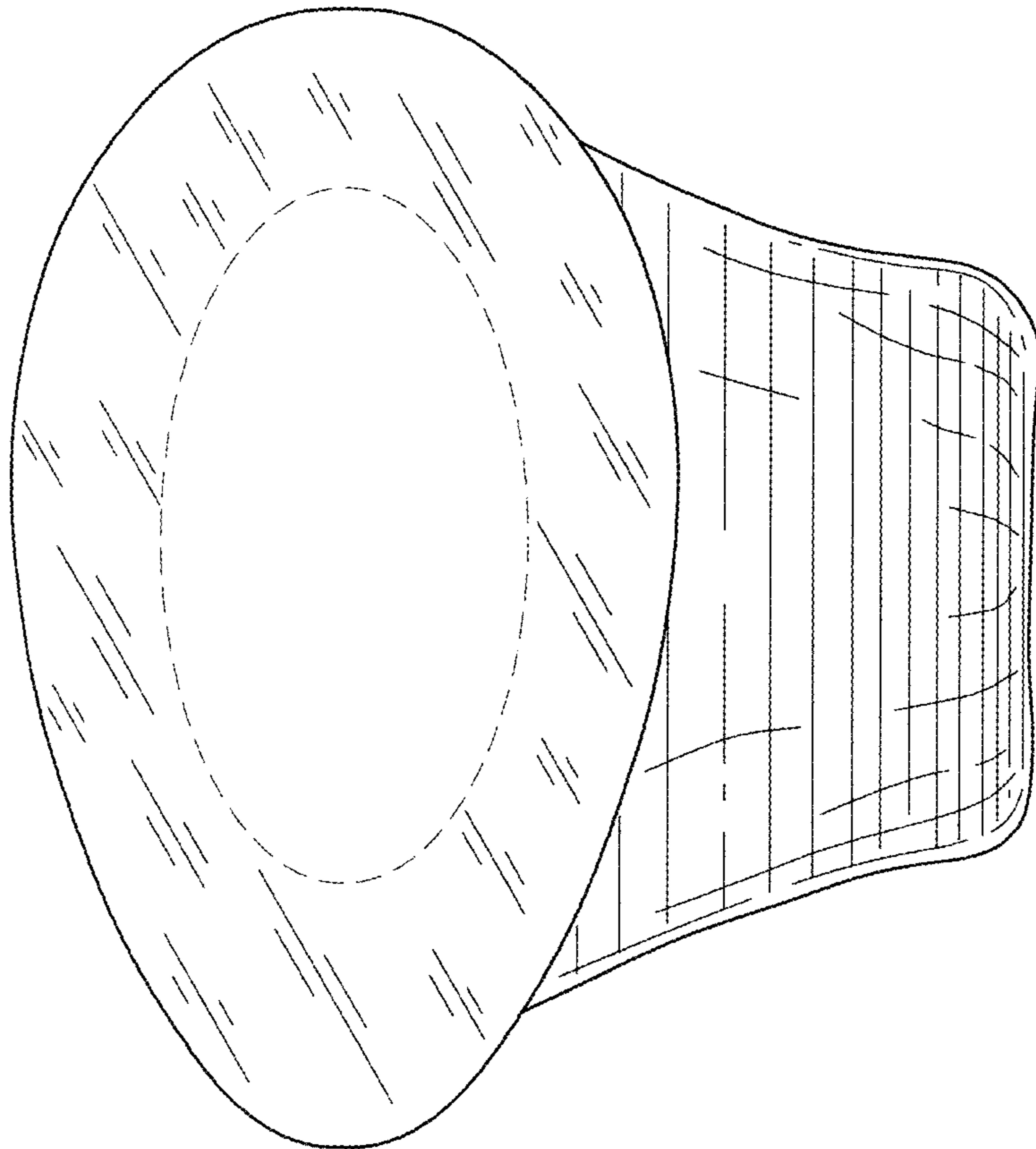


FIG. 2

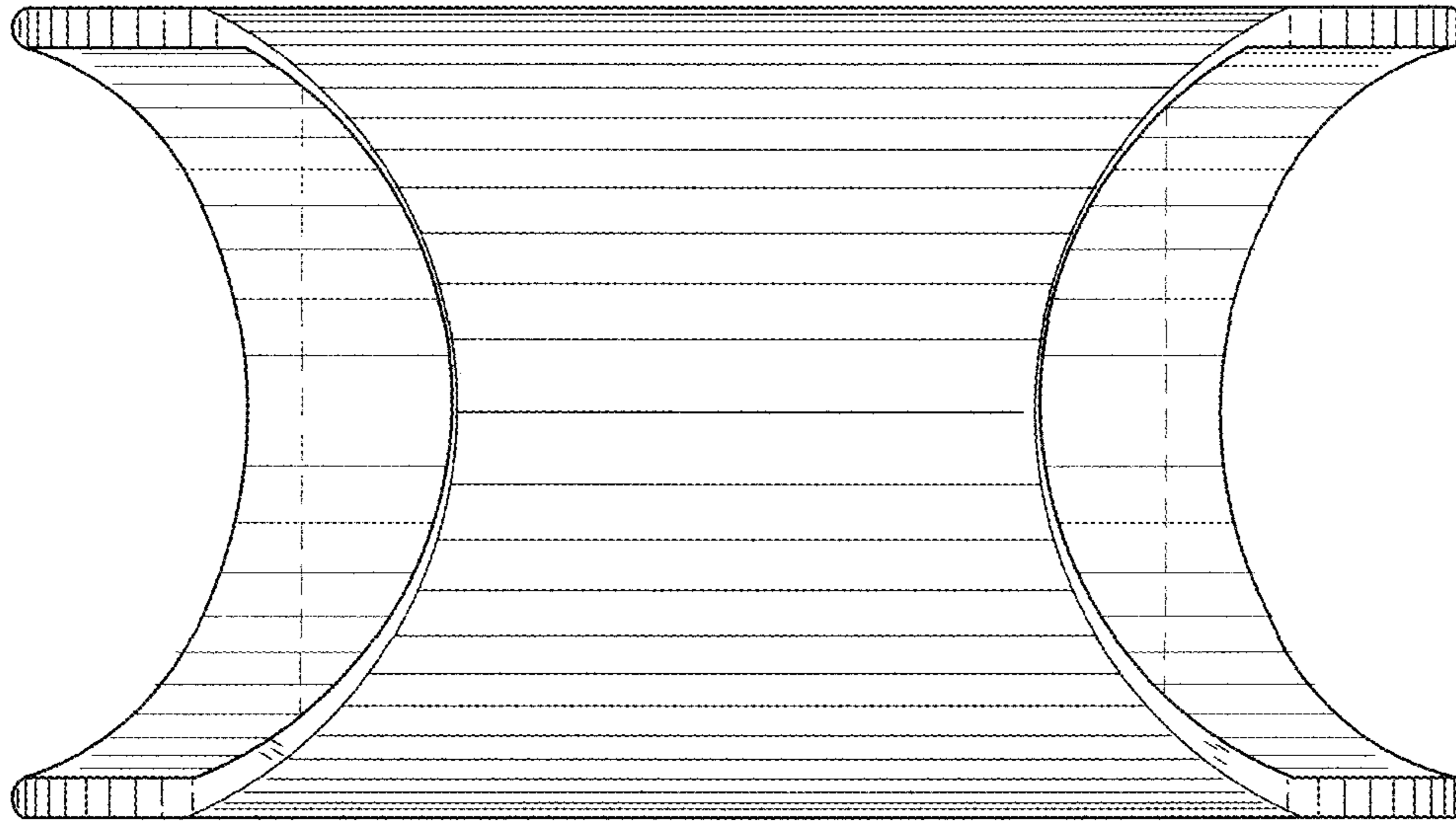


FIG. 3

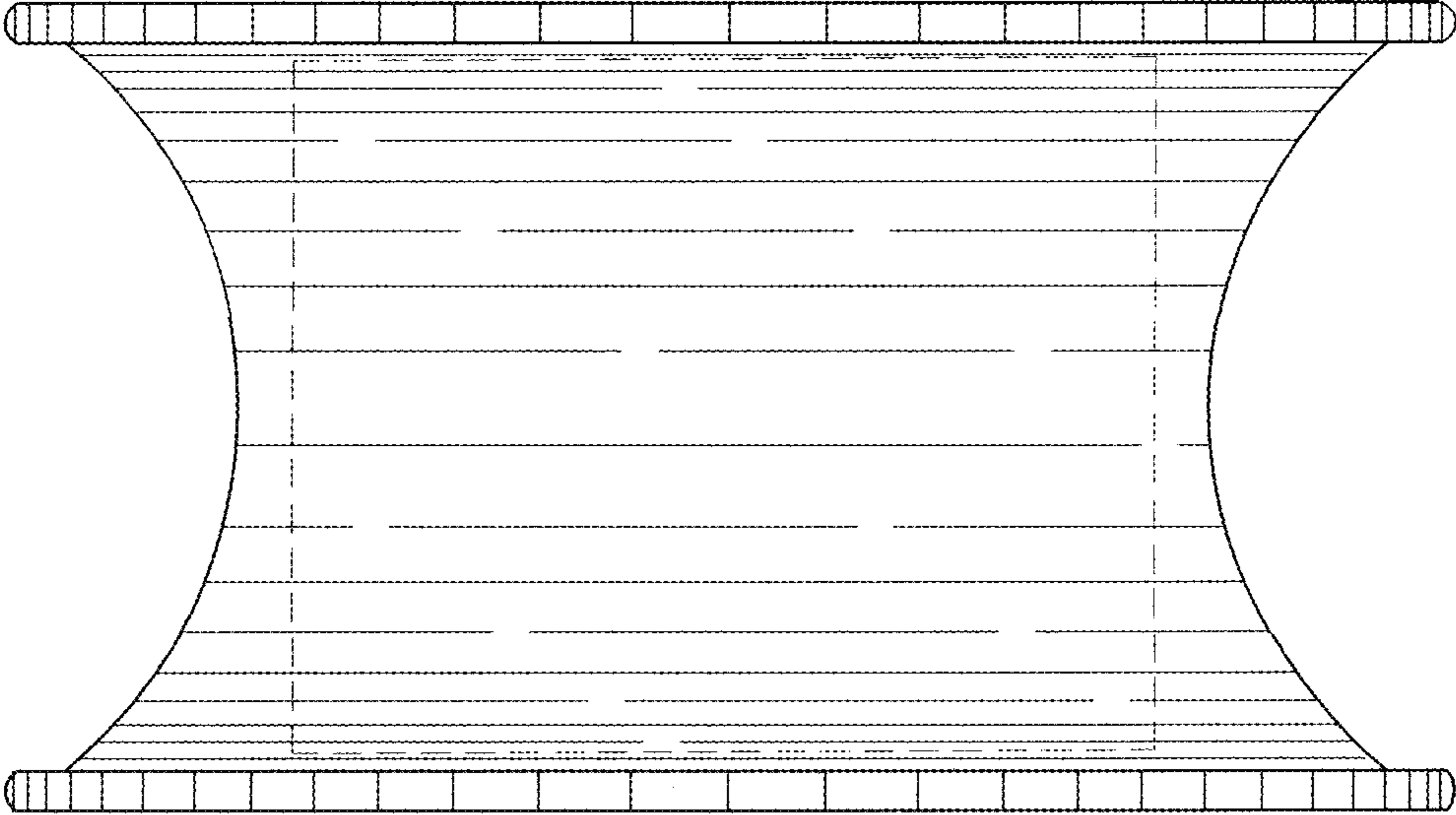


FIG. 4

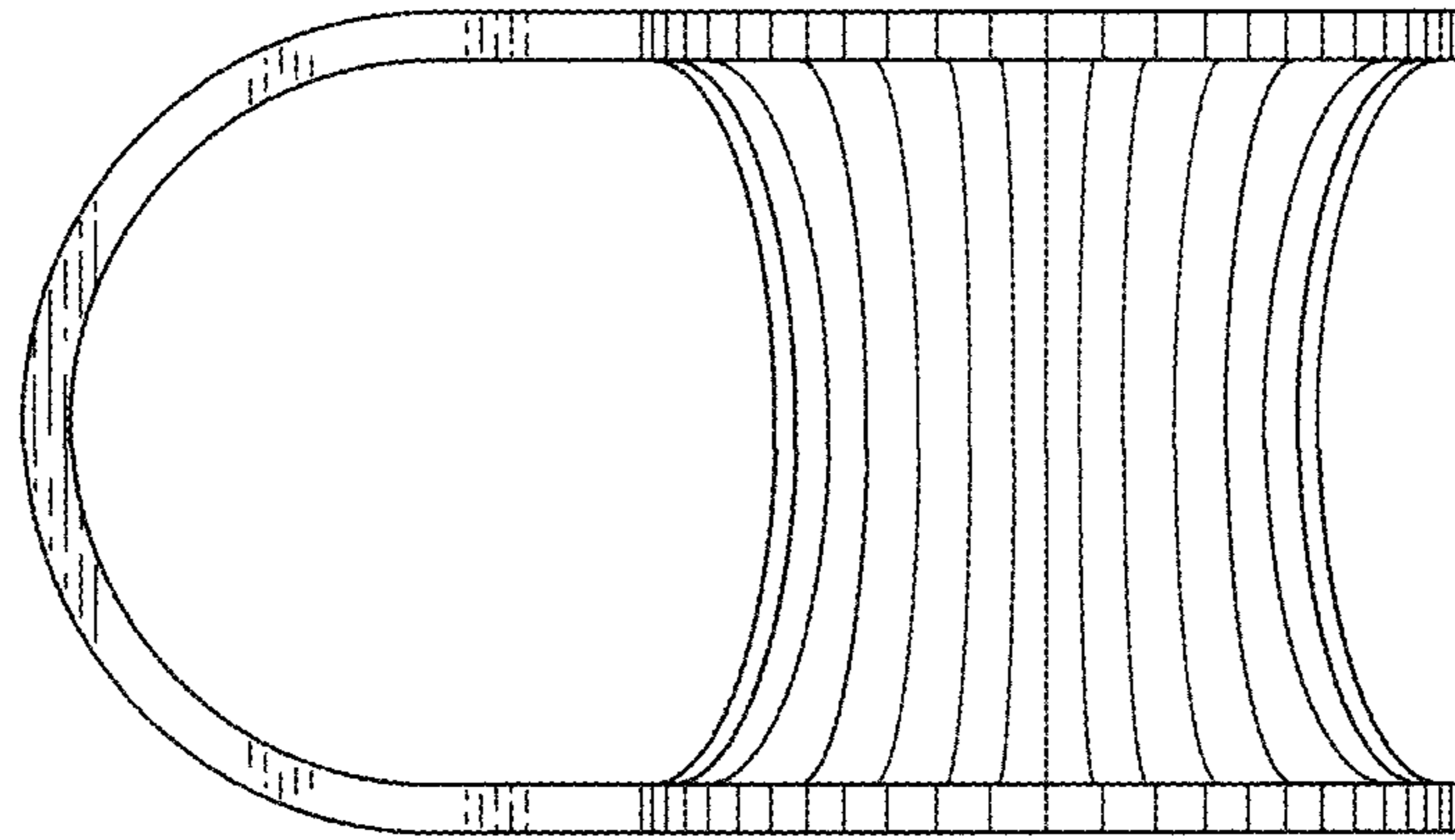


FIG. 5

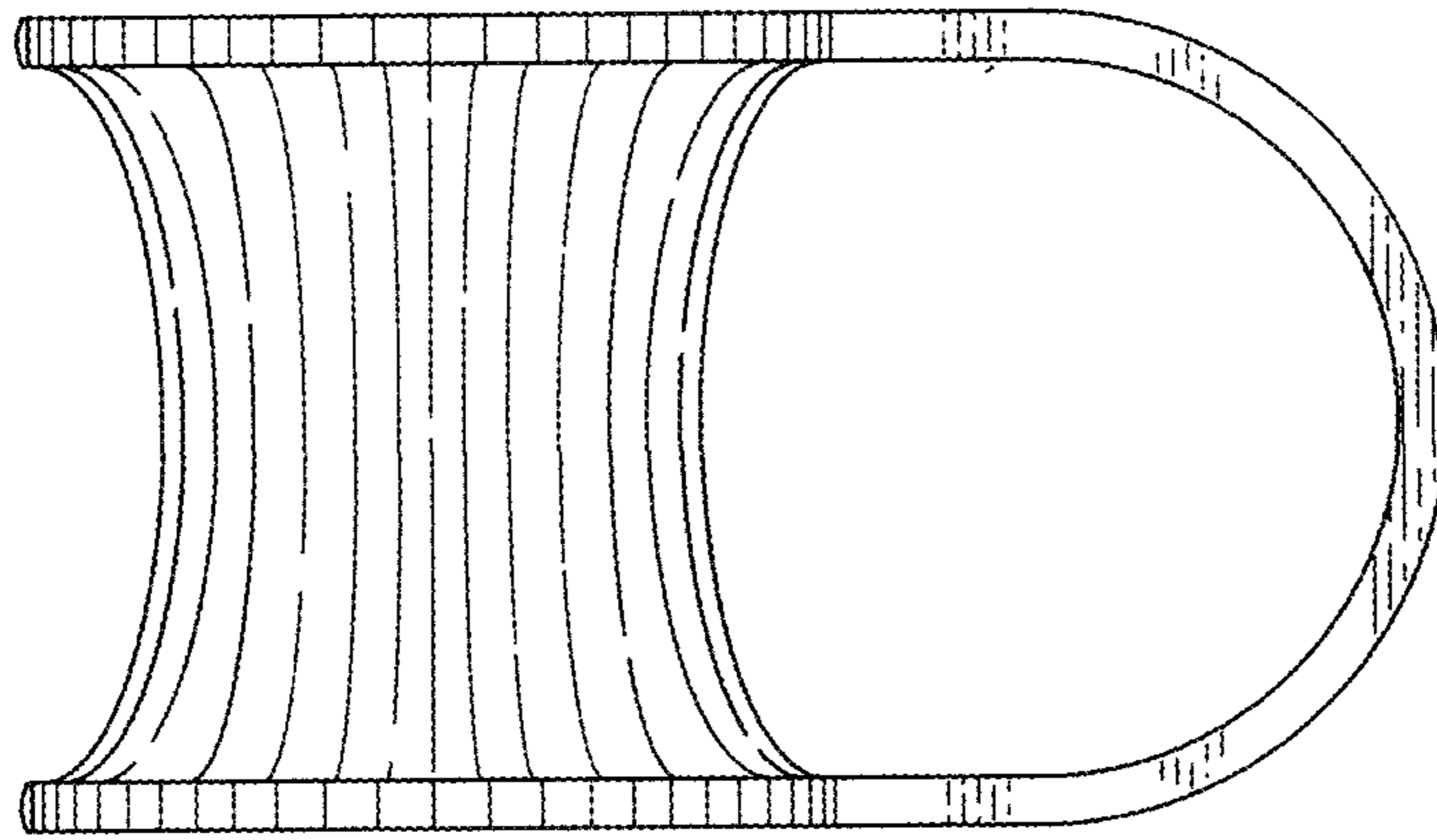


FIG. 6