



US00D886306S

(12) **United States Design Patent**
Larouche

(10) **Patent No.:** **US D886,306 S**

(45) **Date of Patent:** **** Jun. 2, 2020**

- (54) **WRIST SPLINT WITH CUTOUTS**
- (71) Applicant: **INDALO STUDIO INC.**, Montreal (CA)
- (72) Inventor: **Daniel Larouche**, Montreal (CA)
- (73) Assignee: **INDALO STUDIO INC.** (CA)
- (**) Term: **15 Years**
- (21) Appl. No.: **29/643,857**
- (22) Filed: **Apr. 12, 2018**
- (51) **LOC (12) Cl.** **24-04**
- (52) **U.S. Cl.**
USPC **D24/190**
- (58) **Field of Classification Search**
USPC D24/188-194, 199, 200, 206, 212-215;
D29/100, 111, 113, 116.3, 120.1, 120.2,
D29/121.1, 121.2
CPC A61F 5/00; A61F 5/0123; A61F 5/0125;
A61F 5/0102
See application file for complete search history.

- D829,332 S * 9/2018 Chears-Young D24/190
- D835,792 S * 12/2018 Erwin D24/190
- D854,173 S * 7/2019 Violeau D24/190

OTHER PUBLICATIONS

Restorative Care of America. Upper Extremity Catalog. 2013.
https://www.rcai.com/pdfs/RCAI_Upper_Extremity_Catalog.pdf (Year: 2013).*

* cited by examiner

Primary Examiner — Darcey E Gottschalk

(74) *Attorney, Agent, or Firm* — Lavery, De Billy, LLP;
Gonzalo Lavin

(57) **CLAIM**

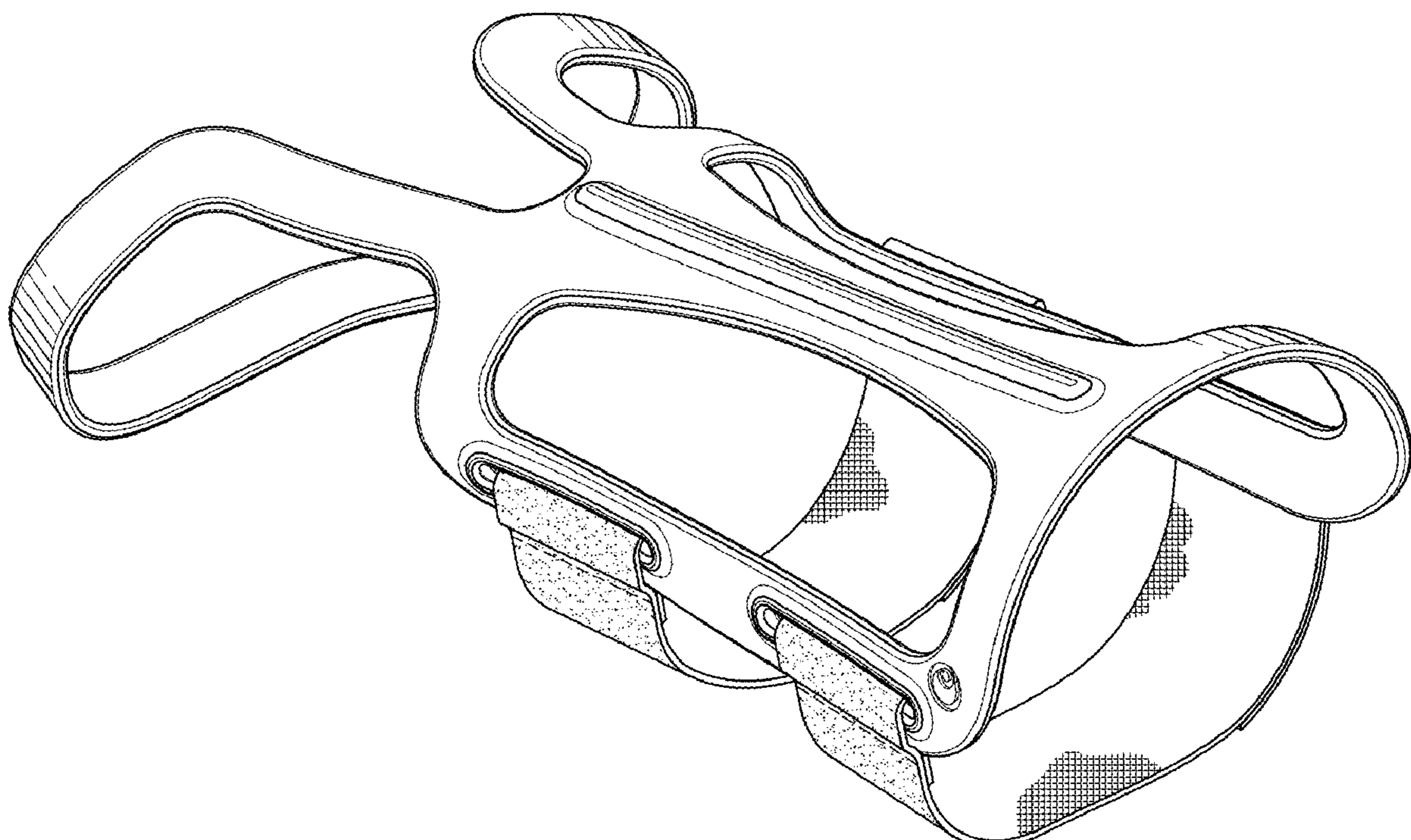
The ornamental design for a wrist splint with cutouts, as shown and described.

DESCRIPTION

FIG. 1 is a perspective rear view of a wrist splint with cutouts showing my new design;
FIG. 2 is a left view thereof;
FIG. 3 is a right view thereof;
FIG. 4 is a top view thereof;
FIG. 5 is a bottom view thereof;
FIG. 6 is a front plan view thereof; and,
FIG. 7 is a rear plan view thereof.
In the drawings, the broken lines show portions of a wrist splint with cutouts that form no part of the claim.

1 Claim, 4 Drawing Sheets

- (56) **References Cited**
- U.S. PATENT DOCUMENTS
- D371,845 S * 7/1996 Varn D24/190
- 5,836,902 A * 11/1998 Gray A61F 5/0111
602/5
- 6,165,148 A * 12/2000 Carr-Stock A61F 5/0118
128/878
- D438,625 S * 3/2001 Kellogg D24/190
- D665,088 S * 8/2012 Joseph D24/190



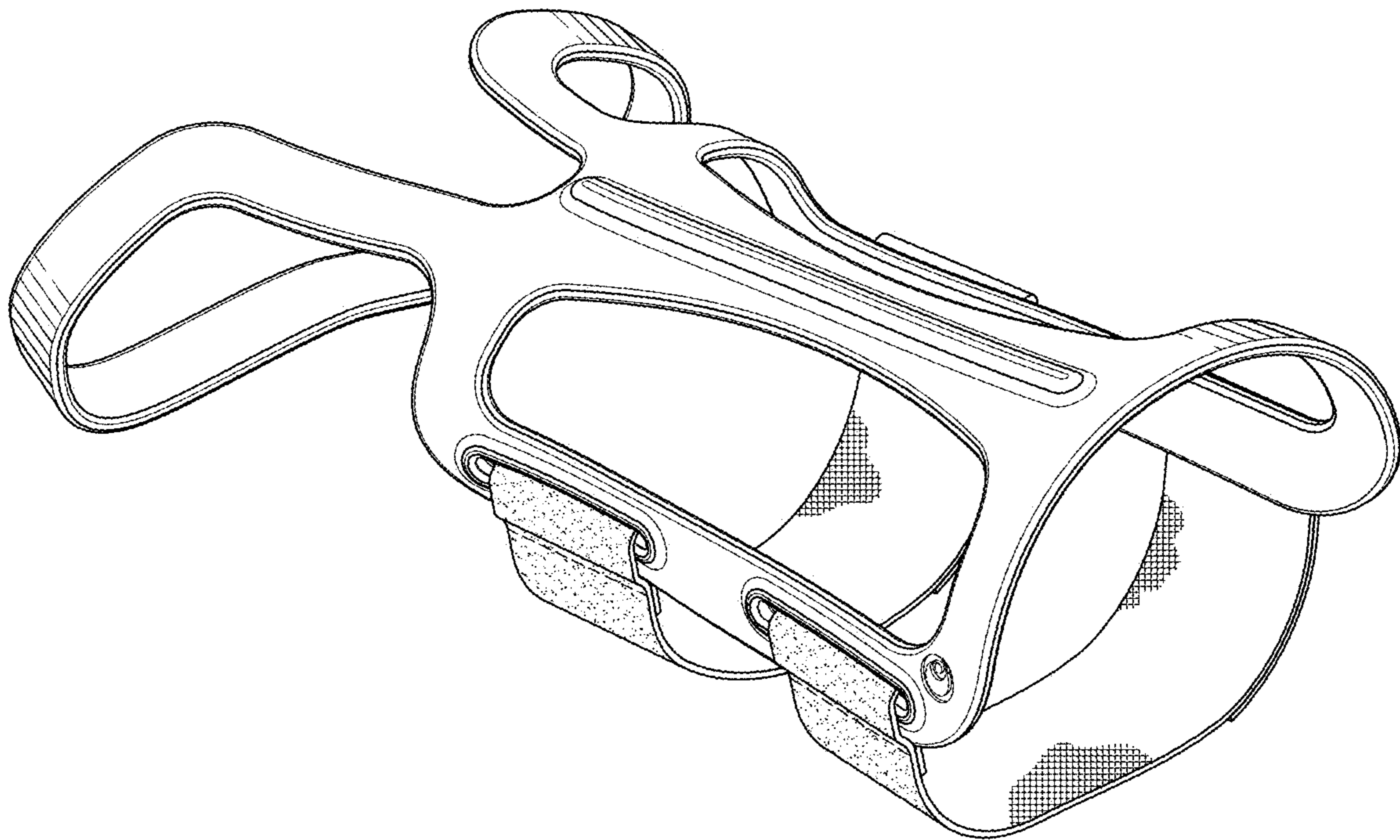


FIG. 1

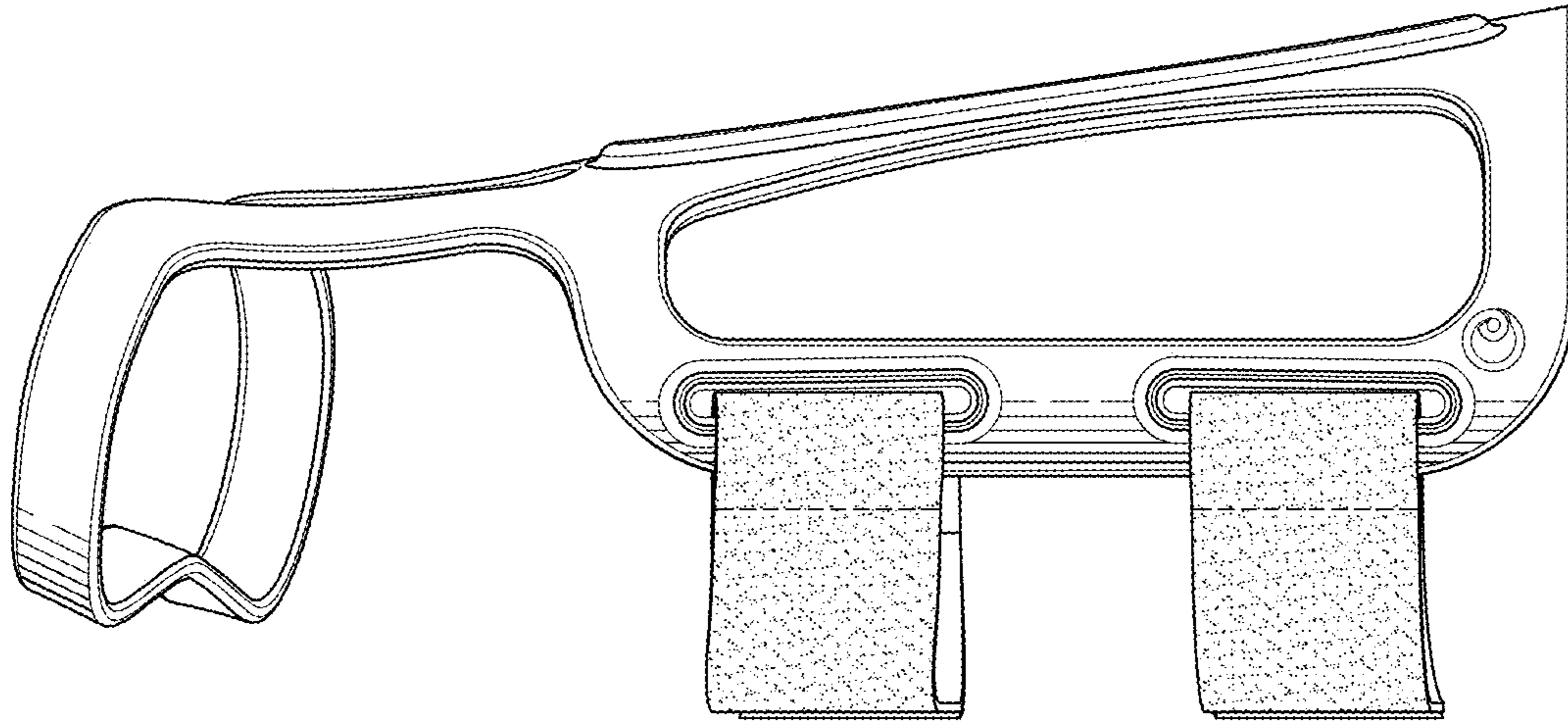


Fig. 2

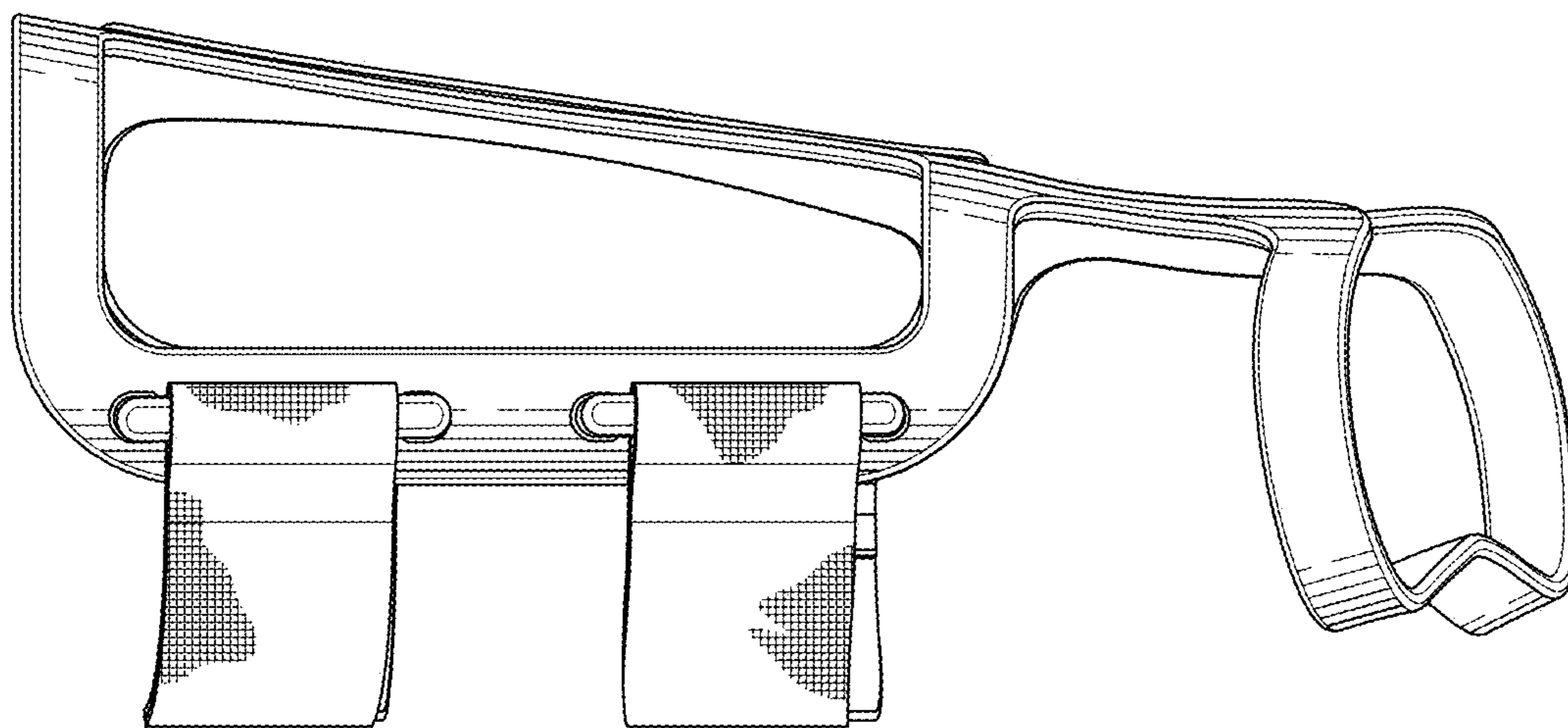


Fig. 3

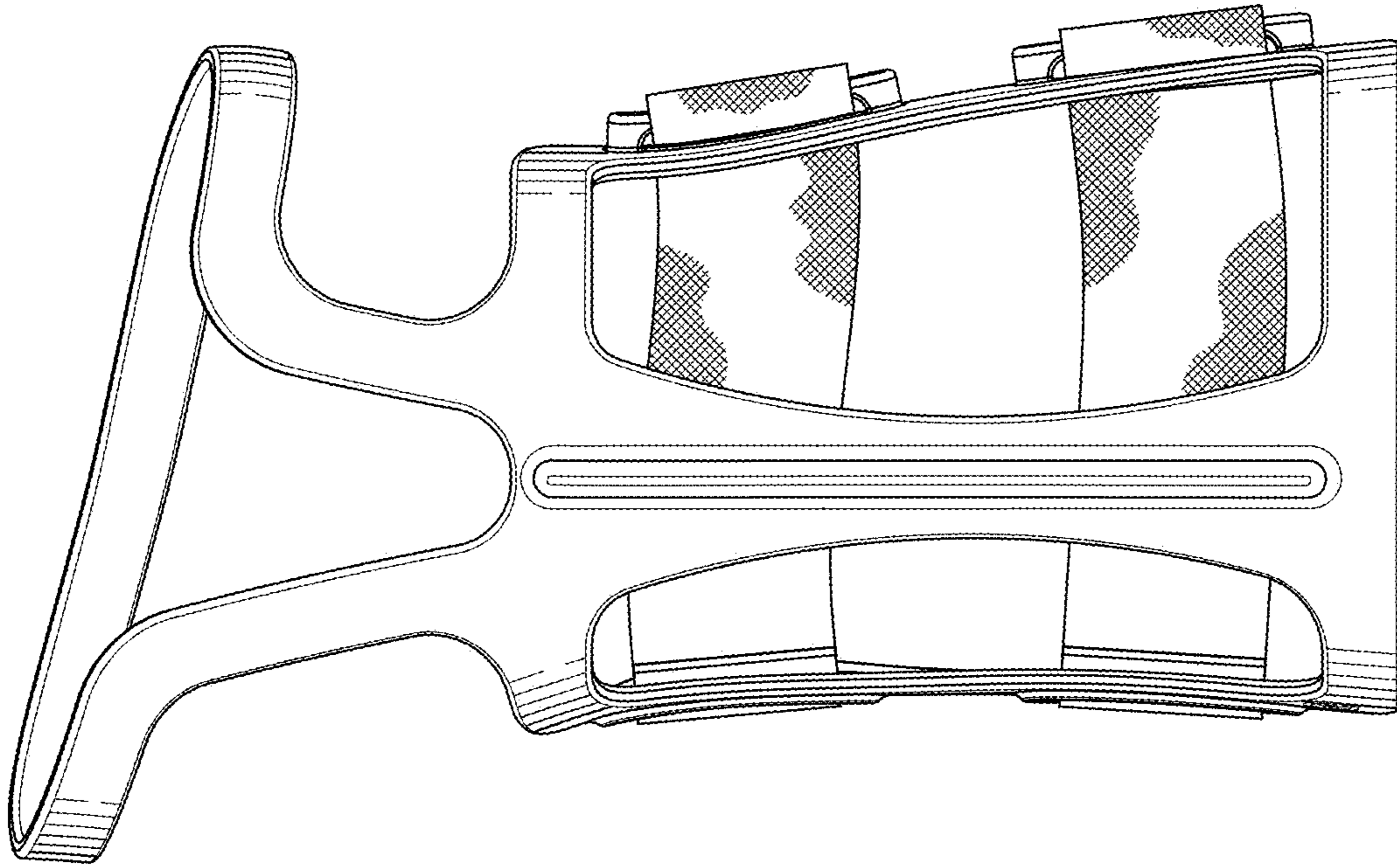


FIG. 4

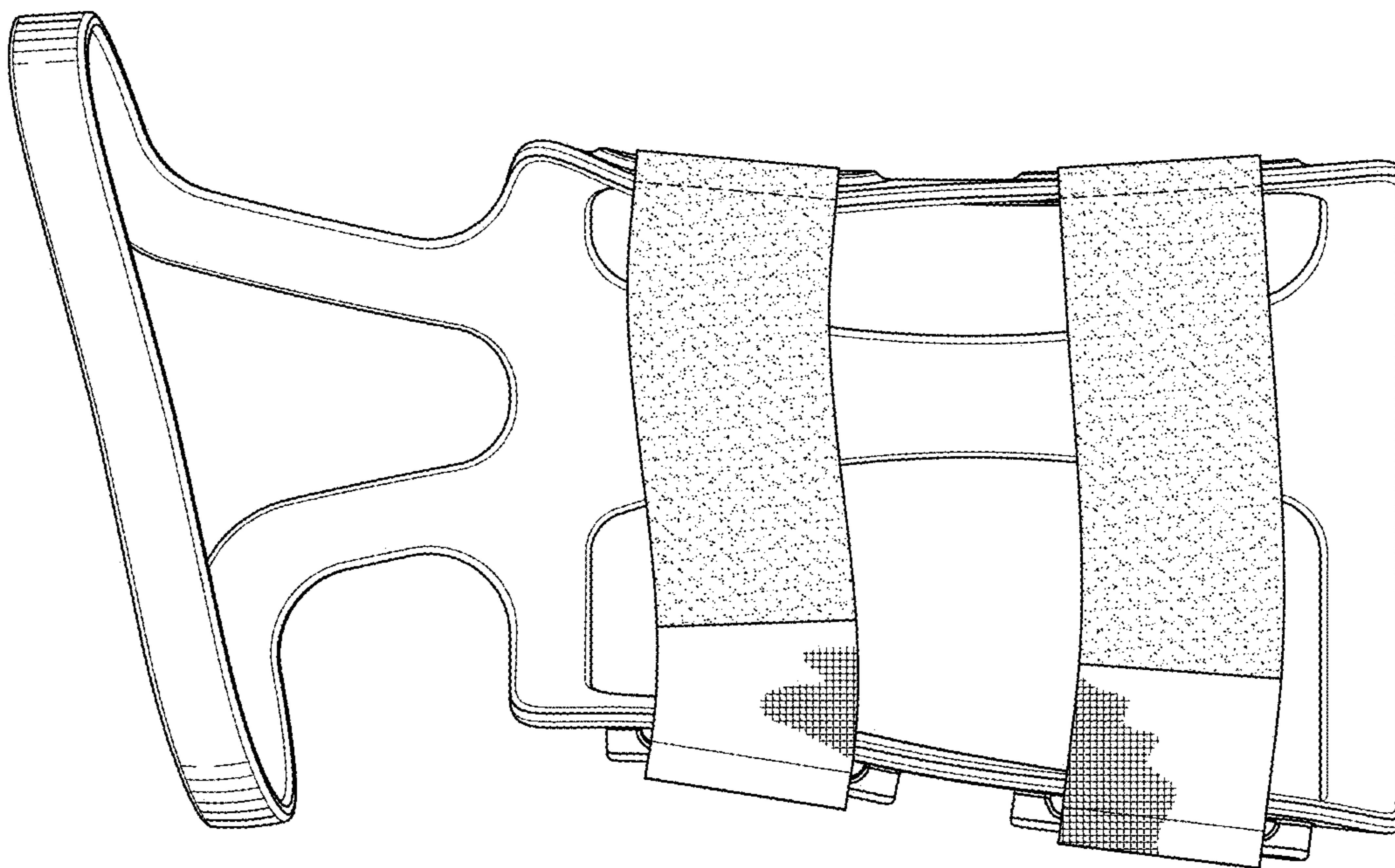


FIG. 5

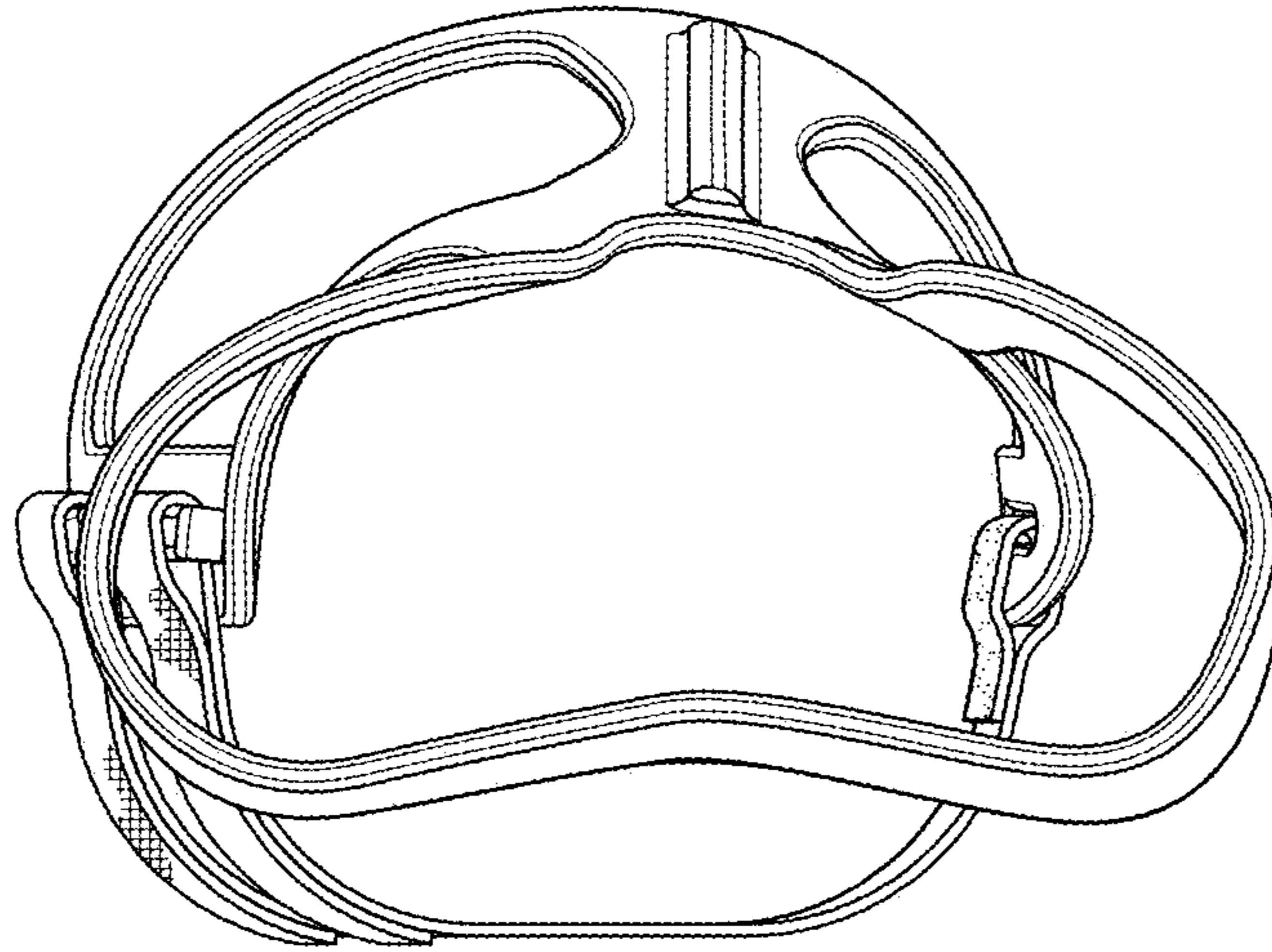


FIG. 6

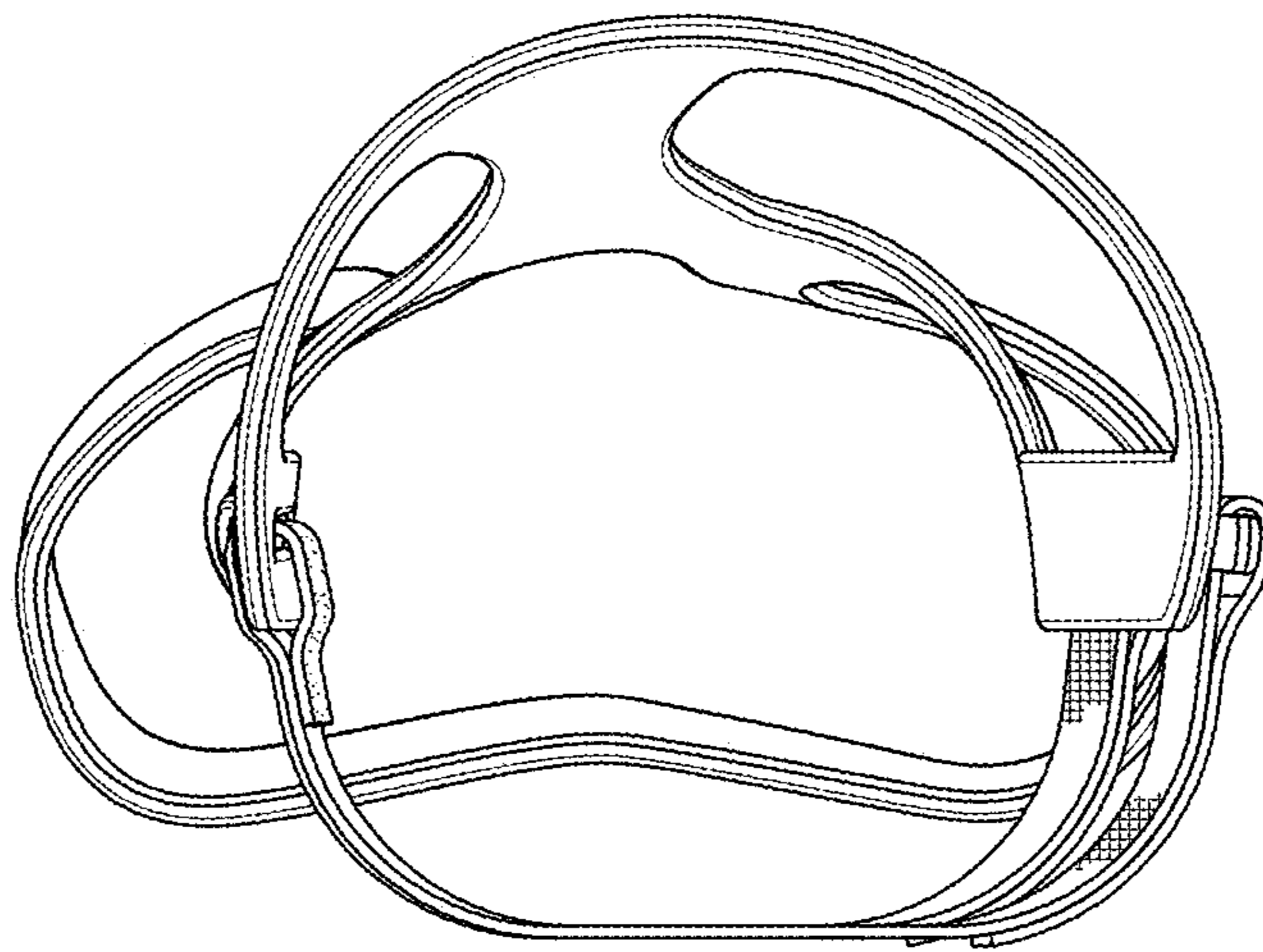


FIG. 7