



US00D886301S

(12) **United States Design Patent**
Haines

(10) **Patent No.:** **US D886,301 S**
(45) **Date of Patent:** **** Jun. 2, 2020**

(54) **MEDICAL STAND COVER**

(71) Applicant: **Medline Industries, Inc.**, Northfield, IL
(US)

(72) Inventor: **Kimberly M. Haines**, Ligonier, PA
(US)

(73) Assignee: **Medline Industries, Inc.**, Northfield, IL
(US)

(**) Term: **15 Years**

(21) Appl. No.: **29/585,016**

(22) Filed: **Nov. 18, 2016**

(51) **LOC (12) Cl.** **24-02**

(52) **U.S. Cl.**
USPC **D24/185**

(58) **Field of Classification Search**
USPC D24/185, 189, 234, 184, 188, 158
(Continued)

(56) **References Cited**

U.S. PATENT DOCUMENTS

3,747,655 A 7/1973 Hadtke
D256,161 S * 7/1980 Oliver D24/189
(Continued)

Primary Examiner — Rhea Shields

(74) *Attorney, Agent, or Firm* — Fitch, Even, Tabin &
Flannery LLP

(57) **CLAIM**

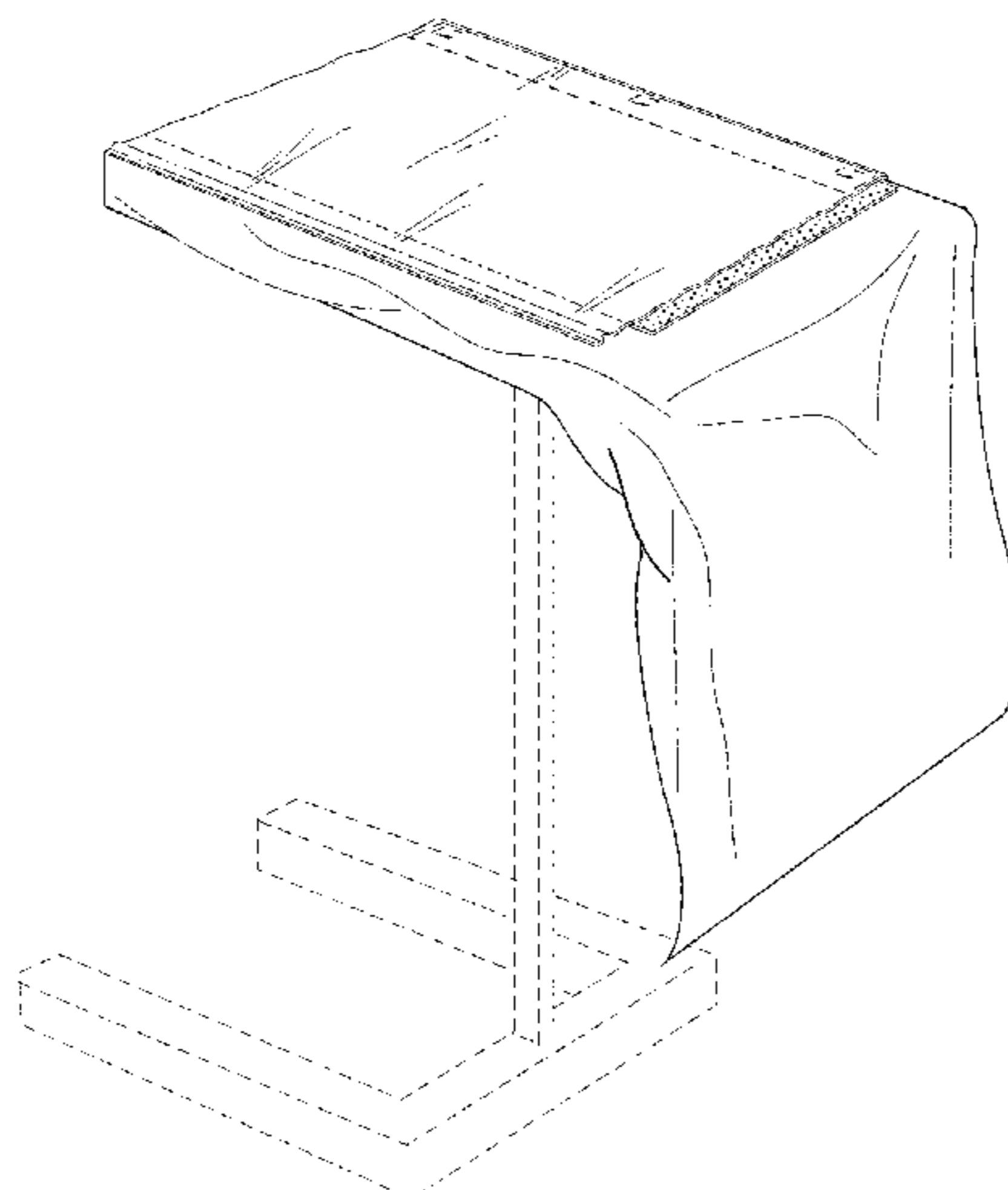
The ornamental design for a medical stand cover, as shown
and described.

DESCRIPTION

FIG. 1 is a rear perspective view of the medical stand cover
in accordance with a first embodiment of my new design
shown with a flap of the medical stand cover in an unfolded
position;

FIG. 2 is an enlargement view of the boxed end portion of
FIG. 1, showing an opening therein;
FIG. 3 is a rear elevation view of the medical stand cover of
FIG. 1;
FIG. 4 is a top plan view of the medical stand cover of FIG.
1;
FIG. 5 is a front elevation view of the medical stand cover
of FIG. 1;
FIG. 6 is a left side elevation view of the medical stand cover
of FIG. 1;
FIG. 7 is a right side elevation view of the medical stand
cover of FIG. 1;
FIG. 8 is a bottom plan view of the medical stand cover of
FIG. 1;
FIG. 9 is a rear perspective view of the medical stand cover
of FIG. 1 shown with the flap of the medical stand cover in
a folded position;
FIG. 10 is a rear perspective view of the medical stand cover,
shown in an environment;
FIG. 11 is a perspective view of the medical stand cover in
accordance with a second embodiment of my new design
shown with a flap of the medical stand cover in an unfolded
position;
FIG. 12 is an enlargement view of the boxed end portion of
FIG. 11, showing an opening therein;
FIG. 13 is a rear elevation view of the medical stand cover
of FIG. 10;
FIG. 14 is a top plan view of the medical stand cover of FIG.
10;
FIG. 15 is a front elevation view of the medical stand cover
of FIG. 10;
FIG. 16 is a left side elevation view of the medical stand
cover of FIG. 10;
FIG. 17 is a right side elevation view of the medical stand
cover of FIG. 10;
FIG. 18 is a bottom plan view of the medical stand cover of
FIG. 10;
FIG. 19 is a rear perspective view of the medical stand cover
of FIG. 10 shown with the flap of the medical stand cover
in a folded position; and,
FIG. 20 is a rear perspective view of the medical stand cover,
shown in an environment.
In FIGS. 11, 14, 16, 17, 18, 19, and 20, the medical stand
cover is shown with a symbolic break in its length. The

(Continued)



appearance of any portion of the article between the break lines forms no part of the claimed design.

In the drawings, the stippling indicates a contrast in appearances.

The dot-dash-dot broken lines are for the purpose of illustrating perforations and form a part of the claimed design. In FIGS. 1, 2, 11, and 12, the dash-dot-dot-dash lines are for the purpose of illustrating an enlarged view and form no part of the claimed design.

The evenly spaced broken lines are for the purpose of illustrating environment only and form no part of the claimed design.

1 Claim, 10 Drawing Sheets

(58) **Field of Classification Search**

CPC A61B 5/00; A61B 17/88; A61B 17/085;
A61B 17/06138; A61L 2/14; A61F
13/023

See application file for complete search history.

(56) **References Cited**

U.S. PATENT DOCUMENTS

4,798,955 A * 1/1989 Rosenthal A61B 5/00
250/341.2

4,917,112 A * 4/1990 Kalt A61F 13/023
128/888
5,129,511 A * 7/1992 Brown A61B 17/06138
206/339
5,176,703 A * 1/1993 Peterson A61B 17/085
602/41
5,379,703 A 1/1995 Marshall
5,498,257 A * 3/1996 Tebbetts A61B 17/88
606/1
D370,822 S * 6/1996 Palomo D24/192
D373,921 S * 9/1996 Palomo D24/189
6,238,623 B1 * 5/2001 Amhof A61L 2/14
116/206
D467,345 S * 12/2002 Gingles D24/189
7,104,201 B2 9/2006 Comeaux
D622,389 S * 8/2010 Henke-Sarmiento D24/158
7,802,313 B2 9/2010 Czajka
D658,765 S * 5/2012 Matthews D24/184
8,371,306 B2 2/2013 Haines
9,168,107 B2 10/2015 Khajavi
D745,684 S * 12/2015 Henke-Sarmiento D24/184
D796,036 S * 8/2017 Ren D24/132
D796,685 S * 9/2017 Ohizep D24/189
D800,917 S * 10/2017 Cataldo D24/234
D804,678 S * 12/2017 Ramires D24/189
D810,949 S * 2/2018 Osher D24/188
2006/0244597 A1 11/2006 Tethrake
2009/0188826 A1 7/2009 Porteous

* cited by examiner

FIG. 1

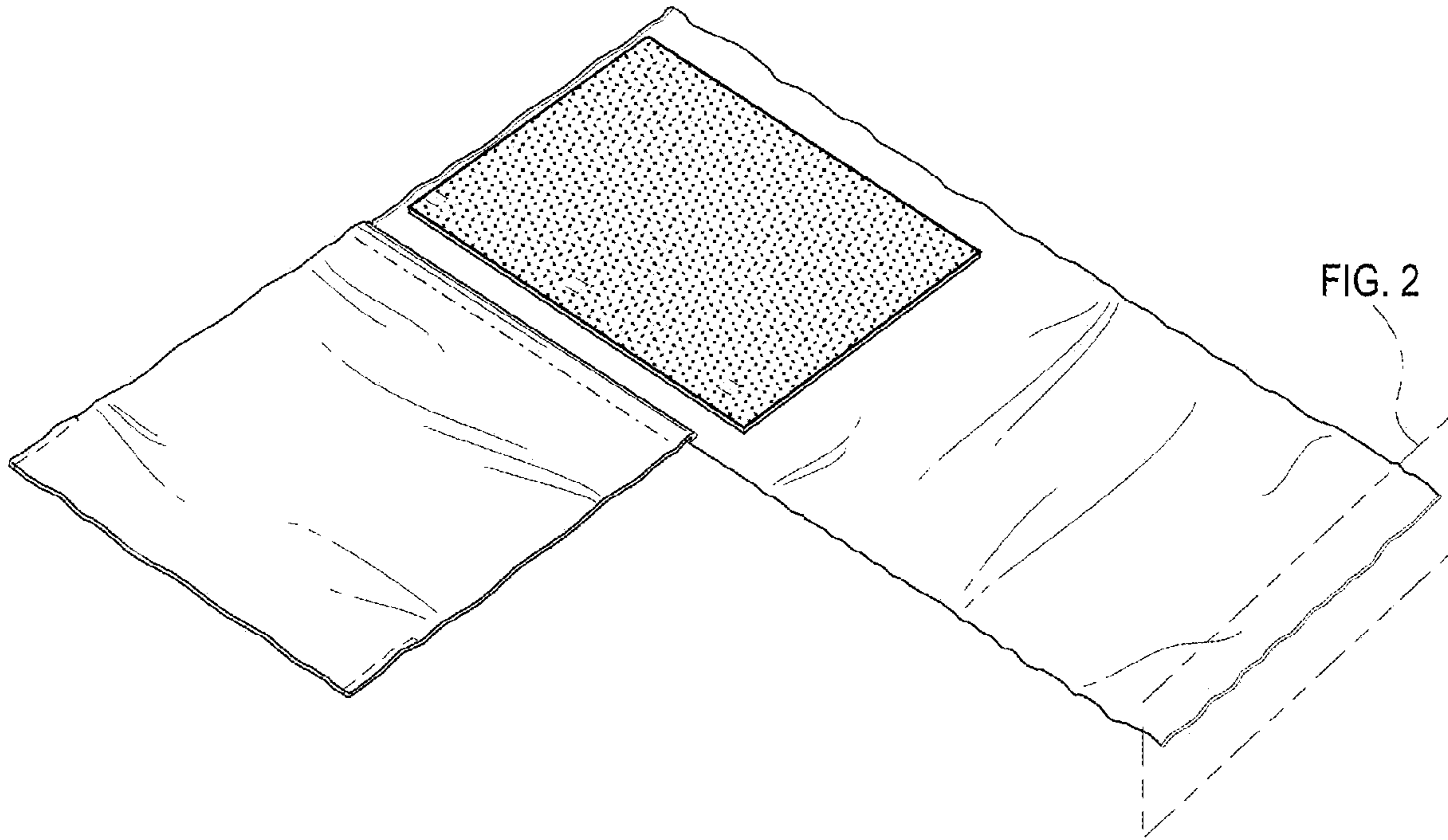


FIG. 2

FIG. 2

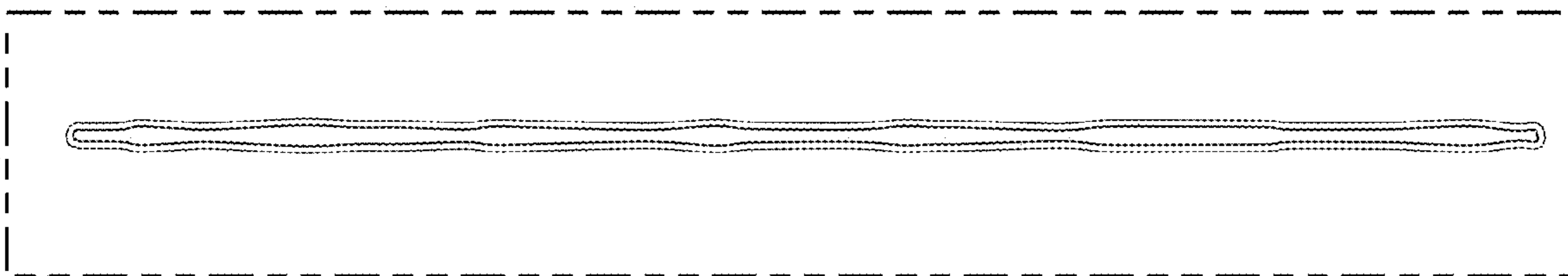


FIG. 3

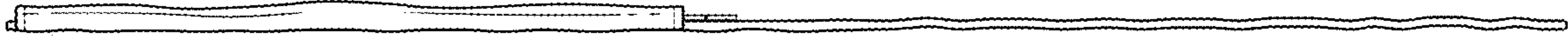


FIG. 4

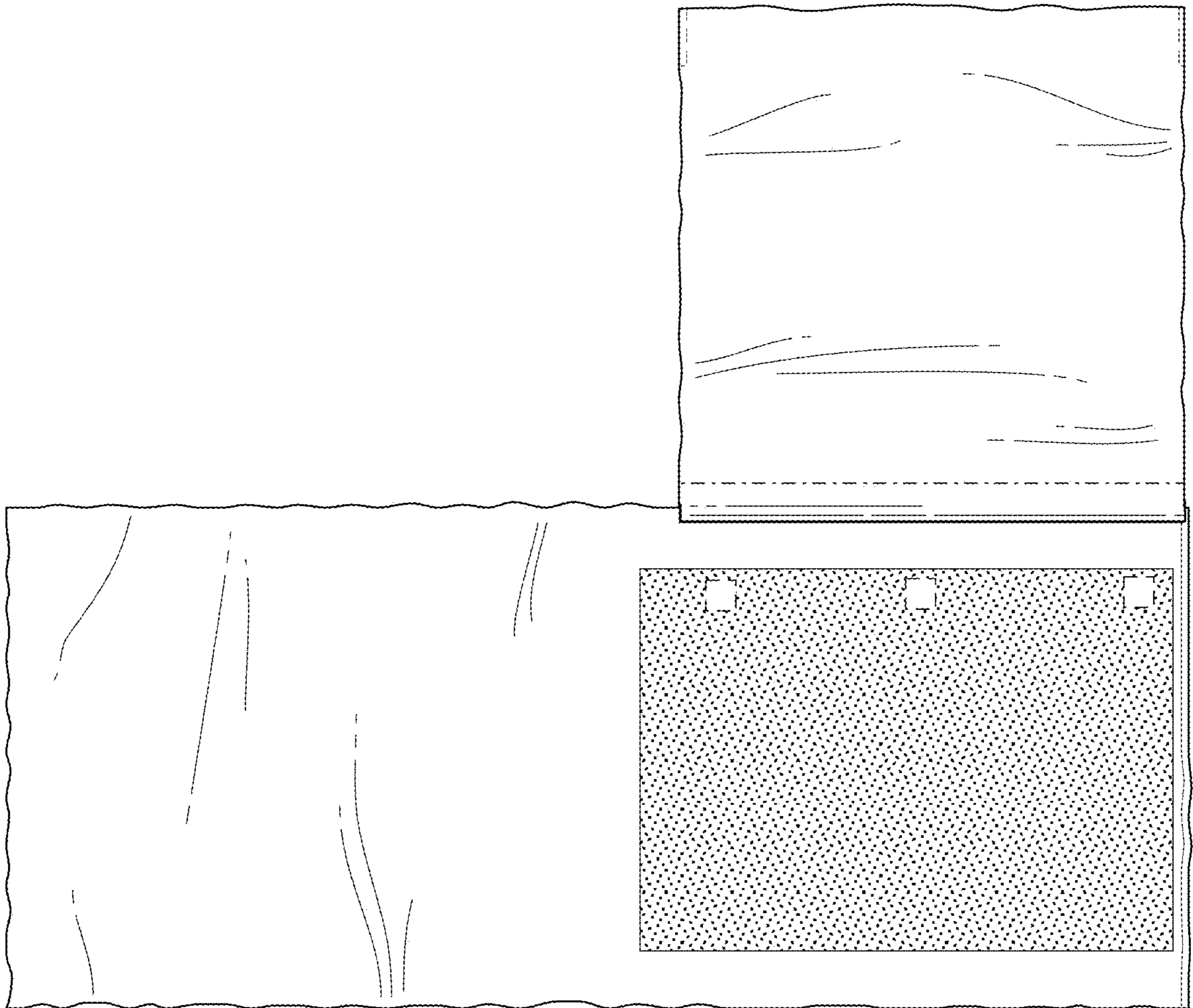


FIG. 5



FIG. 6



FIG. 7



FIG. 8

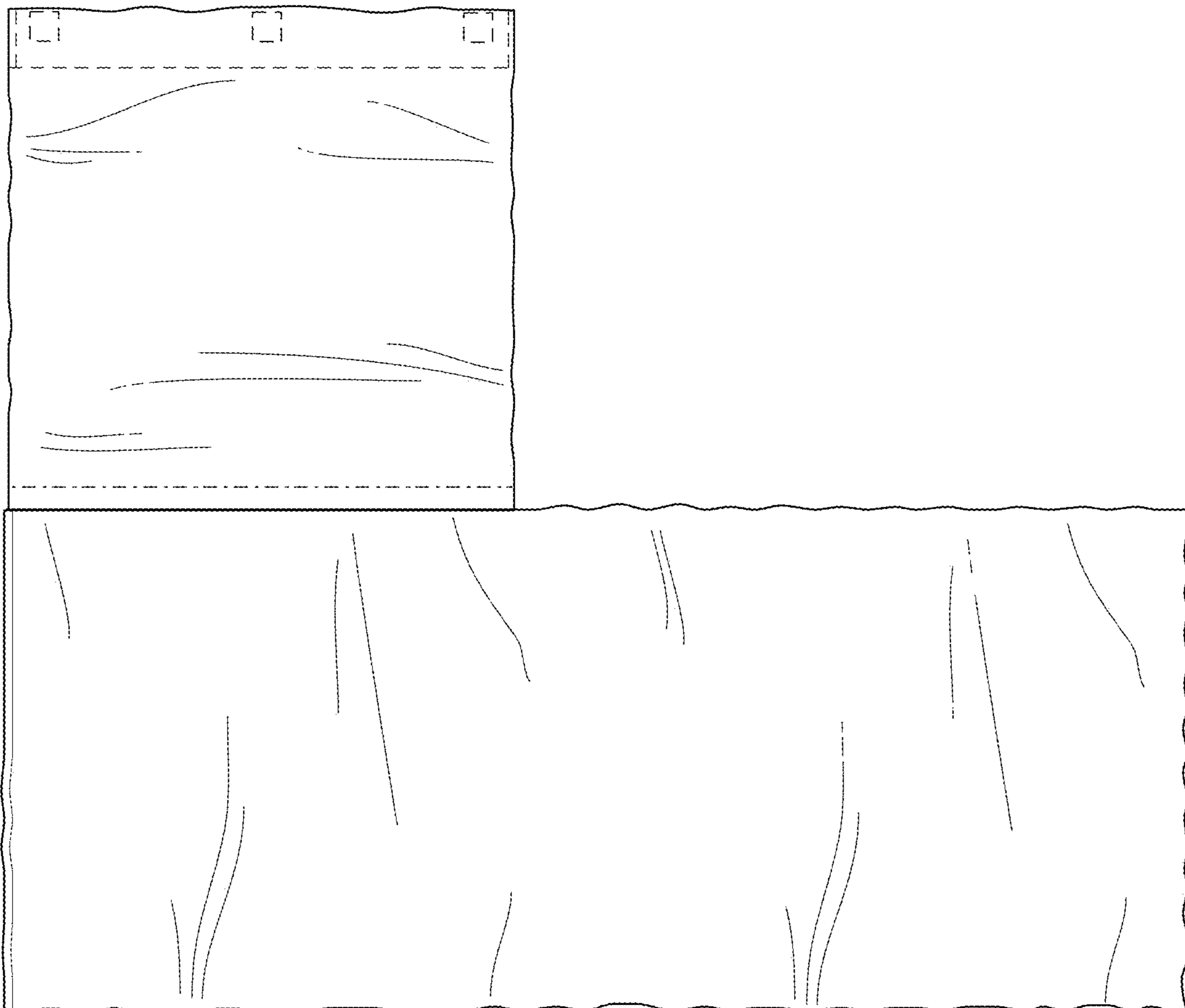


FIG. 9

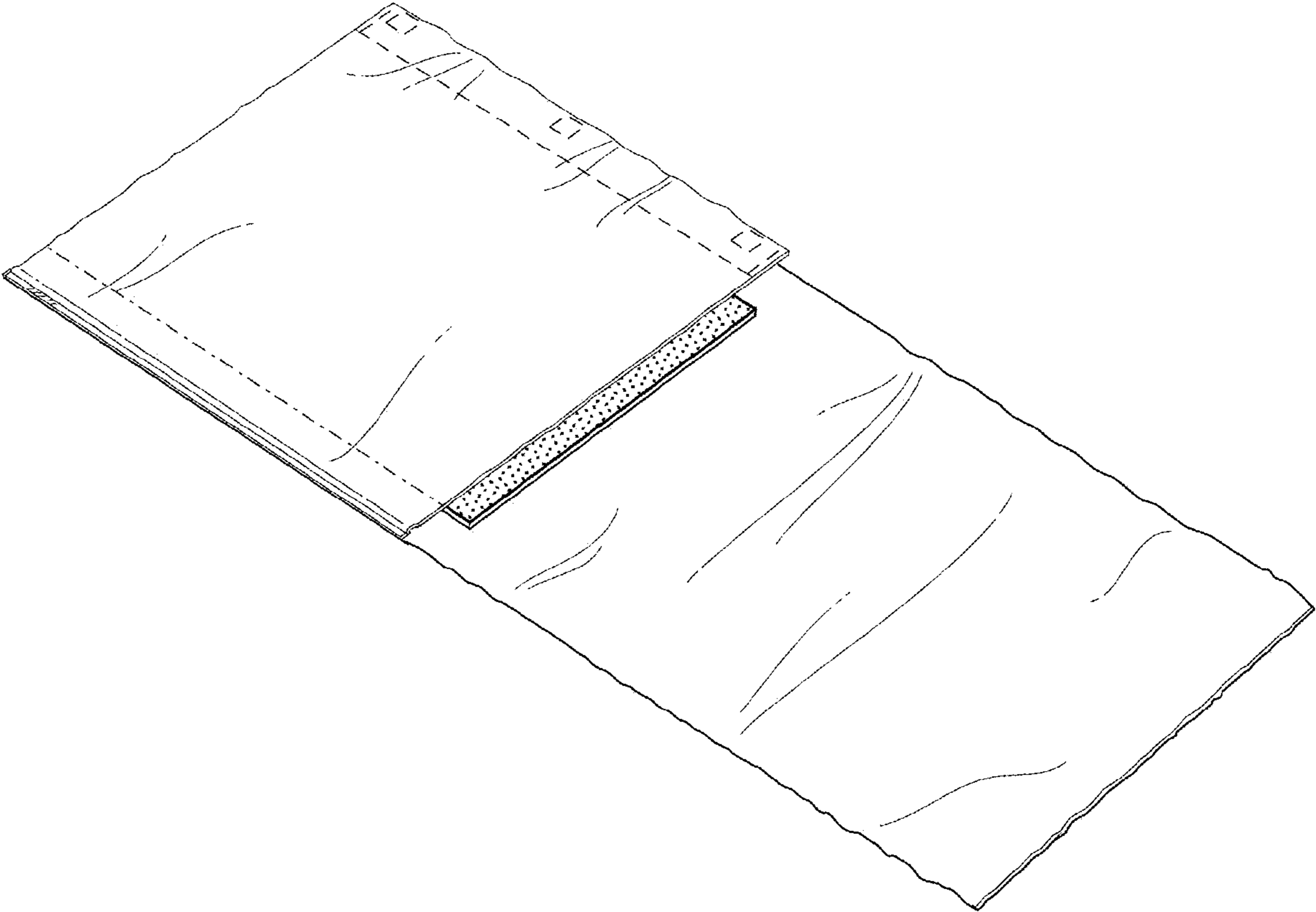


FIG. 10

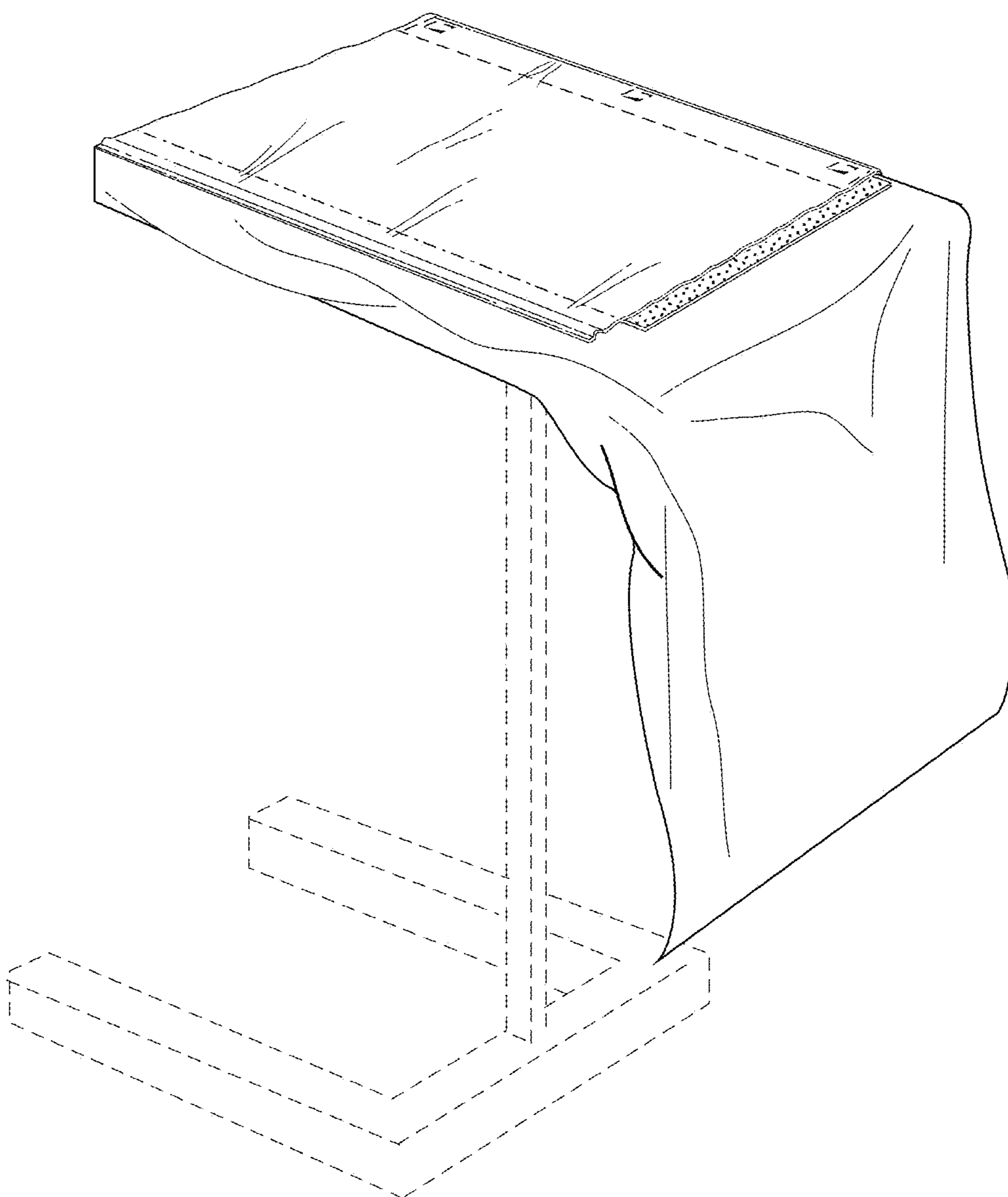


FIG. 11

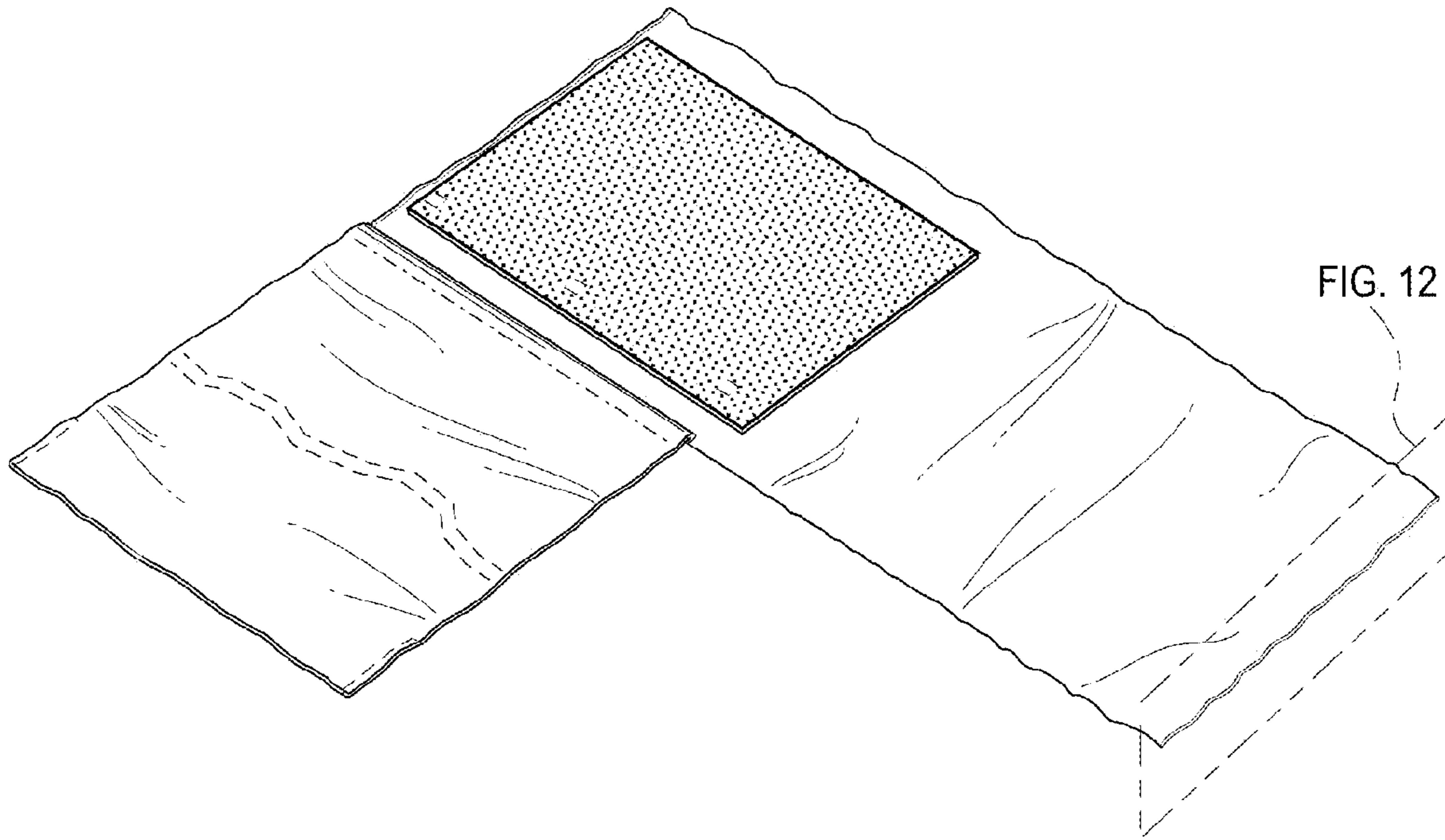


FIG. 12

FIG. 12

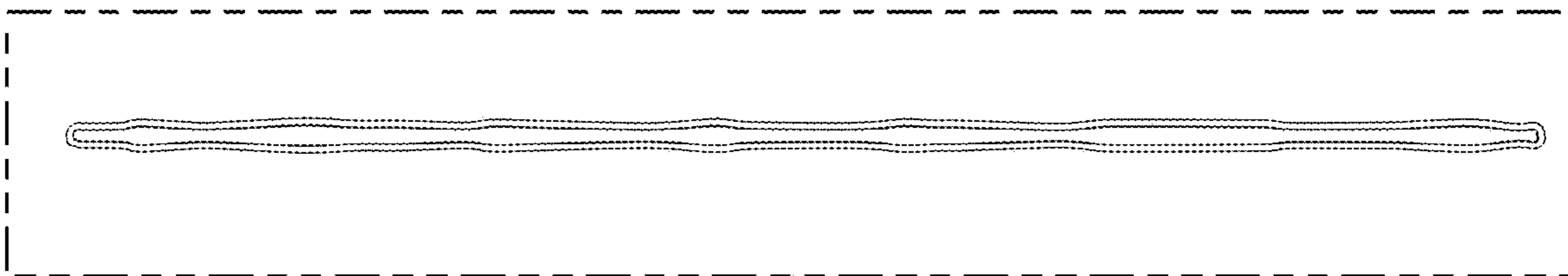


FIG. 13

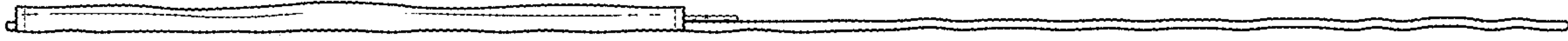


FIG. 14

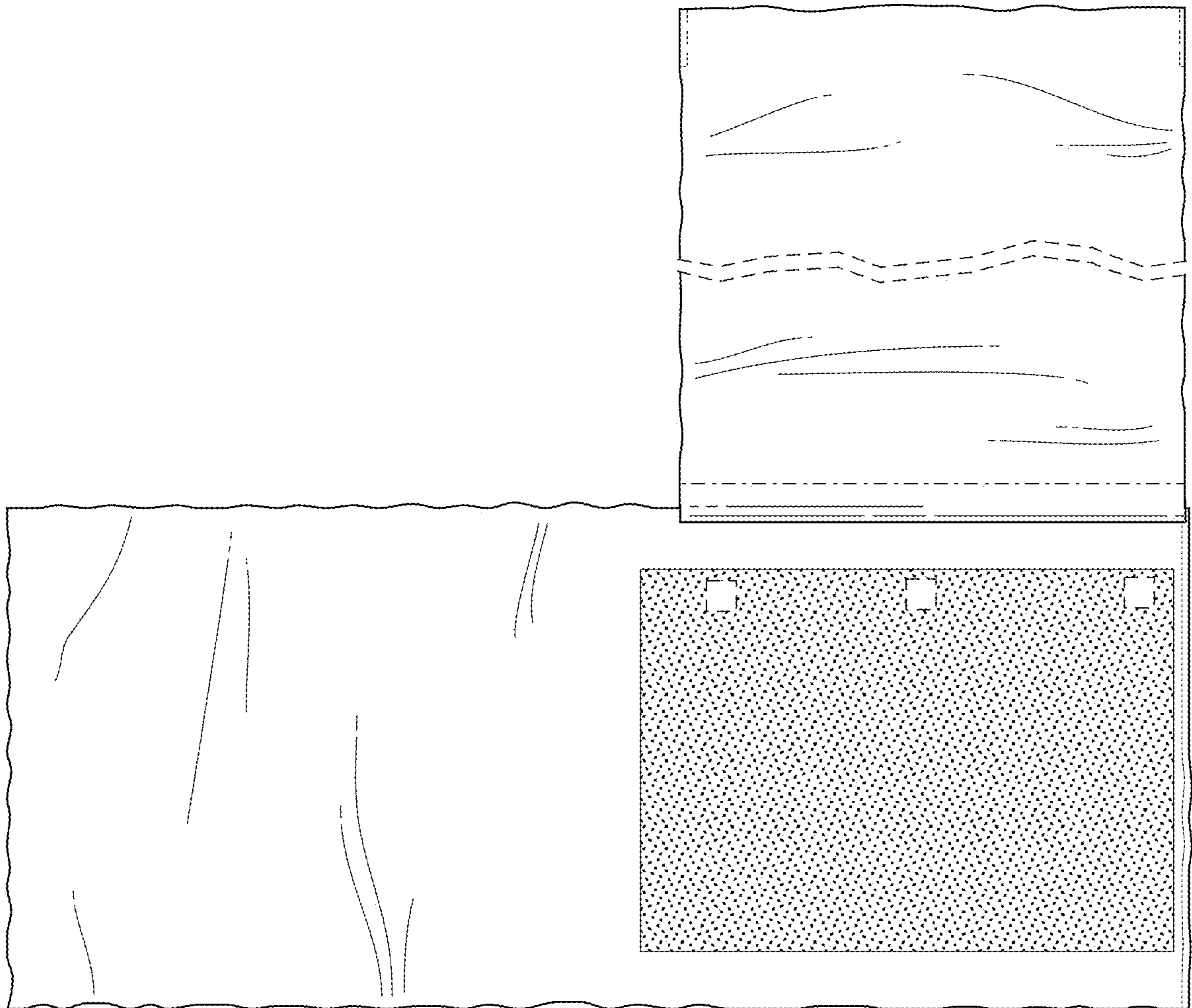


FIG. 15



FIG. 16



FIG. 17



FIG. 18

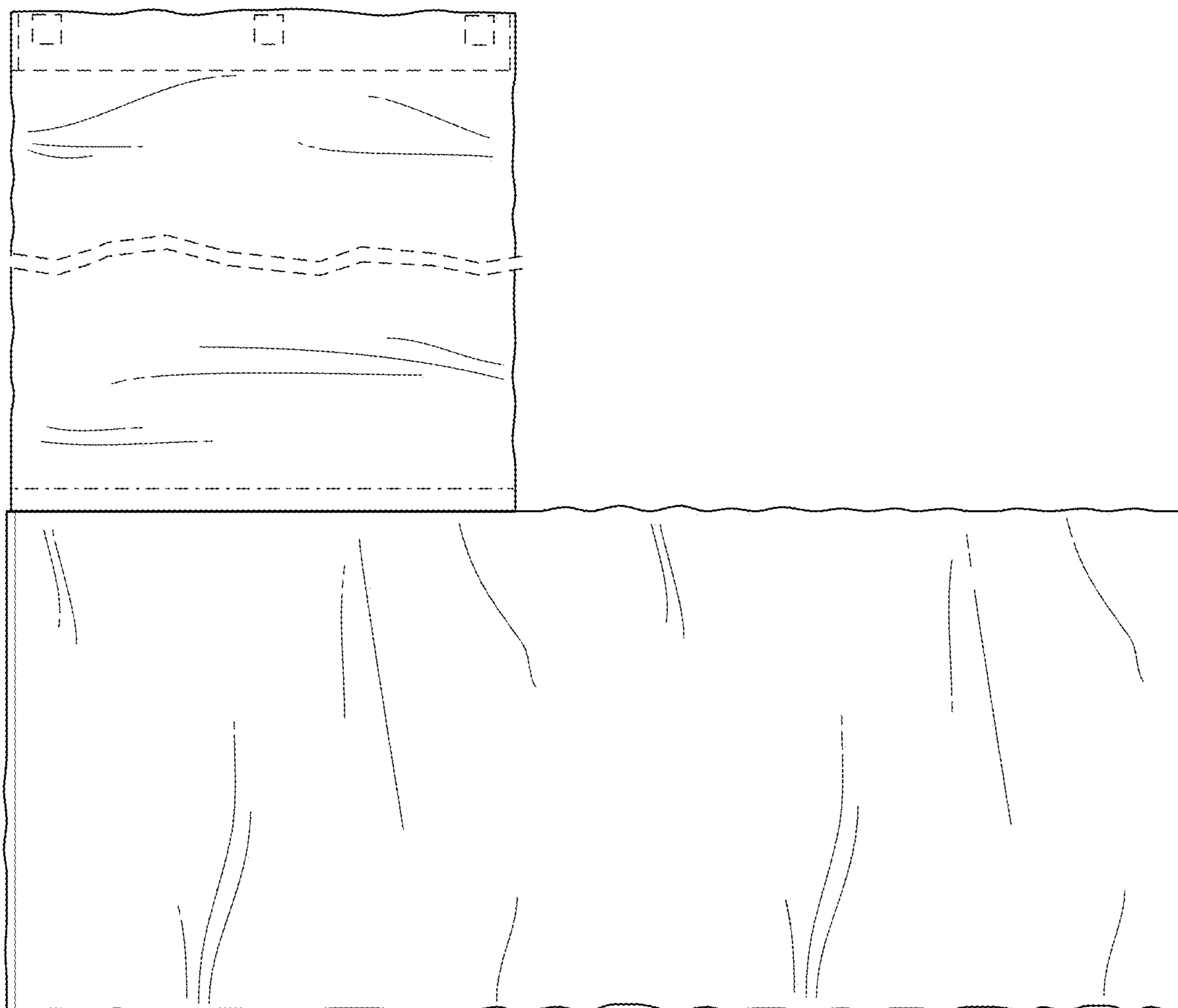


FIG. 19

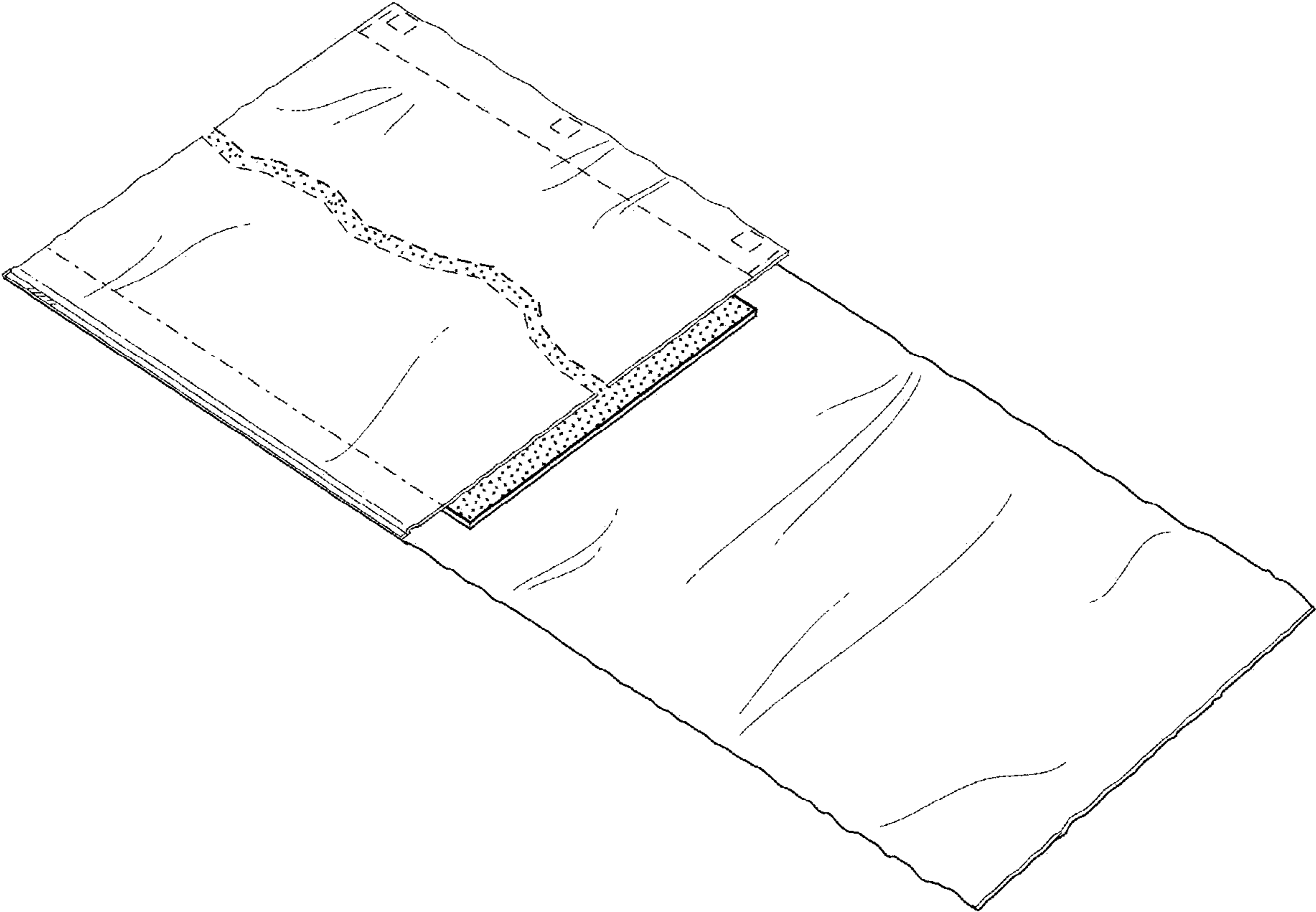


FIG. 20

