



US00D886300S

(12) **United States Design Patent** (10) **Patent No.:** **US D886,300 S**
Marcil (45) **Date of Patent:** **** Jun. 2, 2020**

(54) **PATIENT ANKLE SUPPORT CUSHIONS**

(71) Applicant: **Elekta LTD.**, Montreal (CA)

(72) Inventor: **Francois Marcil**, Montreal (CA)

(73) Assignee: **Elekta LTD**, Montreal, Quebec (CA)

(**) Term: **15 Years**

(21) Appl. No.: **29/635,185**

(22) Filed: **Jan. 29, 2018**

(51) **LOC (12) Cl.** **24-02**

(52) **U.S. Cl.**
USPC **D24/171; D24/184**

(58) **Field of Classification Search**
USPC D24/190-192, 184, 171, 188; D29/120.1,
D29/121.1, 122, 121.2
CPC A61F 5/0111; A61F 5/0127; A61F 13/066;
A61F 2/6607
See application file for complete search history.

(56) **References Cited**

U.S. PATENT DOCUMENTS

- D264,874 S 6/1982 Augustsson et al.
- D286,073 S 10/1986 Russell
- D386,584 S 11/1997 Frei
- D393,069 S 3/1998 Jope
- D413,982 S 9/1999 Swedberg et al.
- D415,281 S 10/1999 Swedberg et al.
- 5,980,828 A 11/1999 McClintock et al.
- D422,782 S 4/2000 Howlett et al.
- D462,446 S 9/2002 Felix et al.
- D463,858 S 10/2002 Sherrod et al.
- D465,577 S * 11/2002 Kato D24/215
- D546,956 S * 7/2007 Buethorn D24/190
- D550,850 S * 9/2007 Buethorn D24/192
- D551,353 S * 9/2007 Buethorn D24/192
- D558,889 S 1/2008 Doll et al.
- D673,689 S 1/2013 Pierce et al.
- D690,016 S 9/2013 Ratner
- D709,180 S 7/2014 Rummery et al.

- D713,967 S 9/2014 Adoni
- D728,165 S * 4/2015 Davis D29/121.2
- D744,641 S * 12/2015 Aiken D24/122
- D791,951 S 7/2017 Henderson
- D794,205 S 8/2017 Naber et al.

(Continued)

FOREIGN PATENT DOCUMENTS

- CN 110090363 A 8/2019
- WO WO-2014018983 A1 1/2014

OTHER PUBLICATIONS

Bionix Radiation Therapy, "Comfort Hold Foot Positioner RT-6030-30-03", [Online]. Retrieved from the Internet: <URL: www.BionixRT.com>, 2 pgs.

(Continued)

Primary Examiner — Susan Bennett Hattan
Assistant Examiner — Omeed Agilee
(74) *Attorney, Agent, or Firm* — Schwegman Lundberg & Woessner, P.A.; Sanjay Agrawal

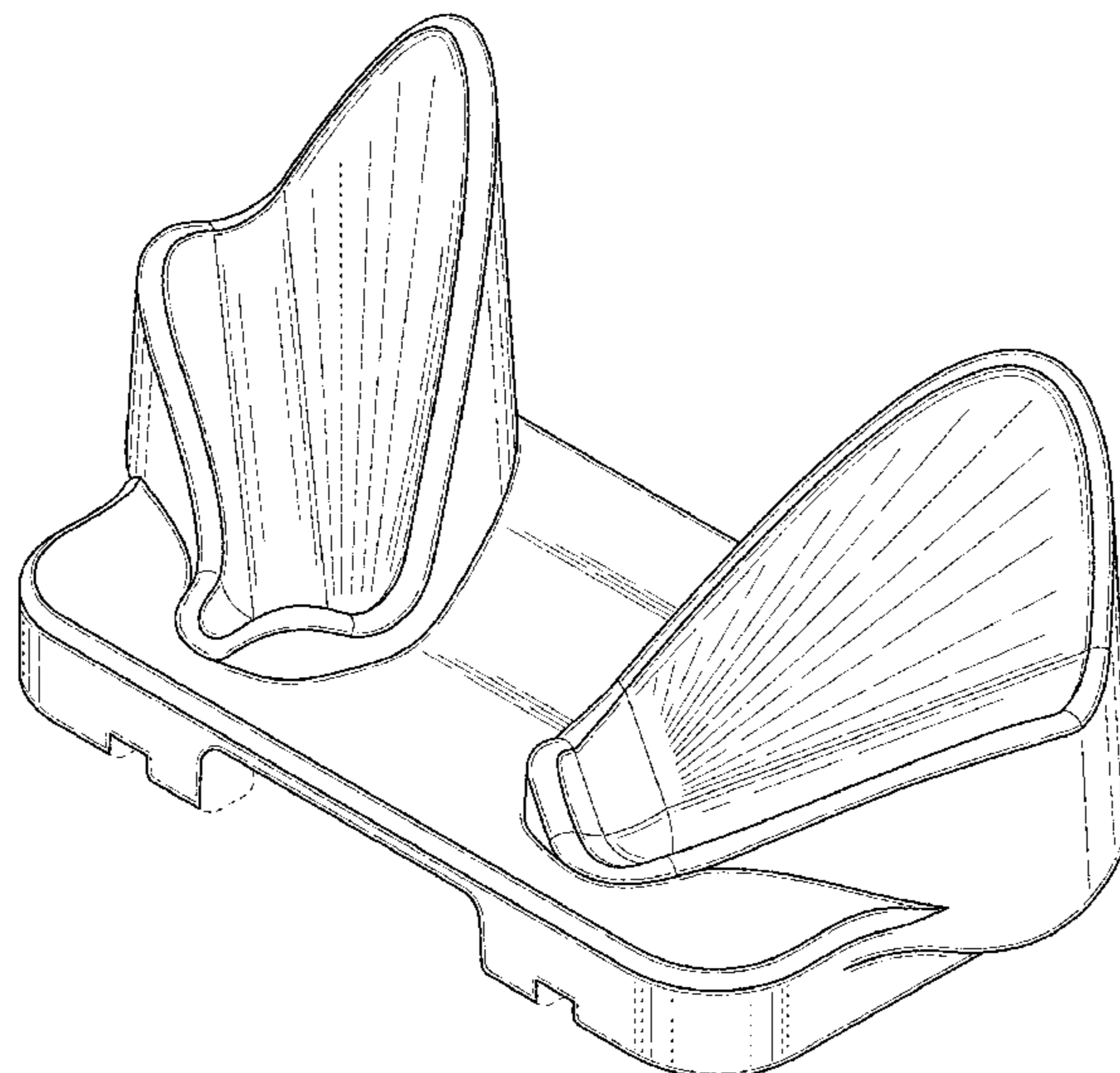
(57) **CLAIM**

The ornamental design for patient ankle support cushions, as shown and described.

DESCRIPTION

FIG. 1 is a perspective view of patient ankle support cushions incorporating the design.
FIG. 2 is a top view thereof.
FIG. 3 is a bottom view thereof.
FIG. 4 is a right-side view thereof.
FIG. 5 is a left-side view thereof.
FIG. 6 is a front view thereof; and,
FIG. 7 is a back view thereof.
The broken lines shown in the drawings illustrate portions of the patient ankle support cushions that form no part of the claimed design.

1 Claim, 6 Drawing Sheets



(56)

References Cited

U.S. PATENT DOCUMENTS

D800,911	S	10/2017	Diemer	
D804,045	S	11/2017	Epstein	
D810,300	S	2/2018	Parsons	
D814,646	S *	4/2018	Maloney	D24/192
D816,833	S	5/2018	Parkhurst	
9,980,573	B2	5/2018	Bennetts	
D833,623	S	11/2018	Naber et al.	
D834,205	S *	11/2018	Ducharme	D24/192
D837,386	S *	1/2019	Barber	D24/184
D837,392	S *	1/2019	Wanner	D24/190
D869,666	S *	12/2019	Michaud	D24/188
D872,864	S	1/2020	Marcil	
2005/0108899	A1	5/2005	Kielt et al.	
2009/0308400	A1	12/2009	Wilson et al.	
2012/0117818	A1	5/2012	Slowik	
2013/0110019	A1	5/2013	Hopman et al.	
2014/0298681	A1	10/2014	Epstein	
2018/0250183	A1	9/2018	Zwierstra et al.	
2019/0231303	A1	8/2019	Marcil	
2019/0231304	A1	8/2019	Marcil	
2019/0231305	A1	8/2019	Marcil	
2019/0231306	A1	8/2019	Marcil	

OTHER PUBLICATIONS

CDR Systems, "CDR Systems Precision Positioning Systems", [Online]. Retrieved from the internet: <URL:www.cdrrsys.ca>, 58 pgs.

Klarity, "R634-LCF Leg Positioner Set-Up", [Online]. Retrieved from the Internet:<URL: www.klaritymedical.com>, 1 pg.

"U.S. Appl. No. 29/635,179, Non Final Office Action dated Apr. 19, 2019", 13 pgs.

"U.S. Appl. No. 29/635,179. Response filed Jul. 19, 2019 to Non-Final Office Action dated Apr. 19, 2019", 6 pgs.

"U.S. Appl. No. 29/635,182, Non Final Office Action dated Apr. 26, 2019", 11 pgs.

"U.S. Appl. No. 29/635,182, Response filed Aug. 12, 2019 to Non Final Office Action dated Apr. 26, 2019", 5 pgs.

"U.S. Appl. No. 29/635,186, Non Final Office Action dated May 16, 2019", 12 pgs.

"Chinese Application Serial No. 201910080350.6, Notification on Correction of Deficiencies dated Mar. 12, 2019", w/o English translation, 1 pg.

"European Application Serial No. 19153998.0, Extended European Search Report dated Jun. 28, 2019", 11 pgs.

"RayBoards for Butterfly Masks with L-Profiles", [Online] Retrieved from the Internet :<https://www.bcc.taipei/RTproducts/product_pp121a.html>, (accessed Mar. 19, 2019), 1.

"Zephyr Patient Positioning and Transfer Systems", Orfit Industries, Retrieved from the Internet: <URL:https://www.orfit.com/radiation-oncology/products/zephyrpatient-positioning-and-transfer-systems/>, (May 30, 2017), 2 pgs.

Camps, Saskia M, et al., "The Use of Ultrasound Imaging in the External Beam Radiotherapy Workflow of Prostate Cancer Patients", Biomed Research International, vol. (Jan. 1, 2018), 1-16.

Elekta, "Clarity for Prostate Monitoring", Youtube, Retrieved from the Internet: <URL:https://www.youtube.com/watch?time_continue=35&v=htoFAd1ALw8>, (Sep. 22, 2015), 1 pg.

Elekta, "Prostate Intra-Fractional Motion Management", Youtube, Retrieved from the Internet: <URL:https://www.youtube.com/watch?v=Qr8z5ELbQJw>, (Feb. 3, 2016), 1 pg.

Lachaine, Martin, et al., "Intrafractional Prostate Motion Management With The Clarity Autoscan System", Medical Physics International Journal, (Jan. 1, 2013), 72.

Zephyr, "Image Guided Brachytherapy with Zephyr MDR", Youtube, Retrieved from the Internet: URL:<https://www.youtube.com/watch?time_continue=111&v=SaKI8ceQirY>, (May 30, 2017), 1 pg.

"U.S. Appl. No. 29/635,179, Non Final Office Action dated Oct. 10, 2019", 15 pgs.

"U.S. Appl. No. 29/635,179, Response dated Jan. 6, 2020 to Non Final Office Action dated Oct. 10, 2019", 5 pgs.

"U.S. Appl. No. 29/635,182, Corrected Notice of Allowability dated Dec. 11, 2019", 4 pgs.

"U.S. Appl. No. 29/635,182, Notice of Allowance dated Sep. 3, 2019", 7 pgs.

"U.S. Appl. No. 29/635,186, Final Office Action dated Nov. 5, 2019", 7 pgs.

"U.S. Appl. No. 29/635,186, Response dated Feb. 3, 2020 to Final Office Action dated Nov. 5, 2019", 6 pgs.

"U.S. Appl. No. 29/635,186, Response dated Aug. 14, 2019 to Non Final Office Action dated May 16, 2019", 7 pgs.

"European Application Serial No. 19153998.0, Response dated Jan. 31, 2020 to Extended European Search Report dated Jun. 28, 2019", 11 pgs.

* cited by examiner

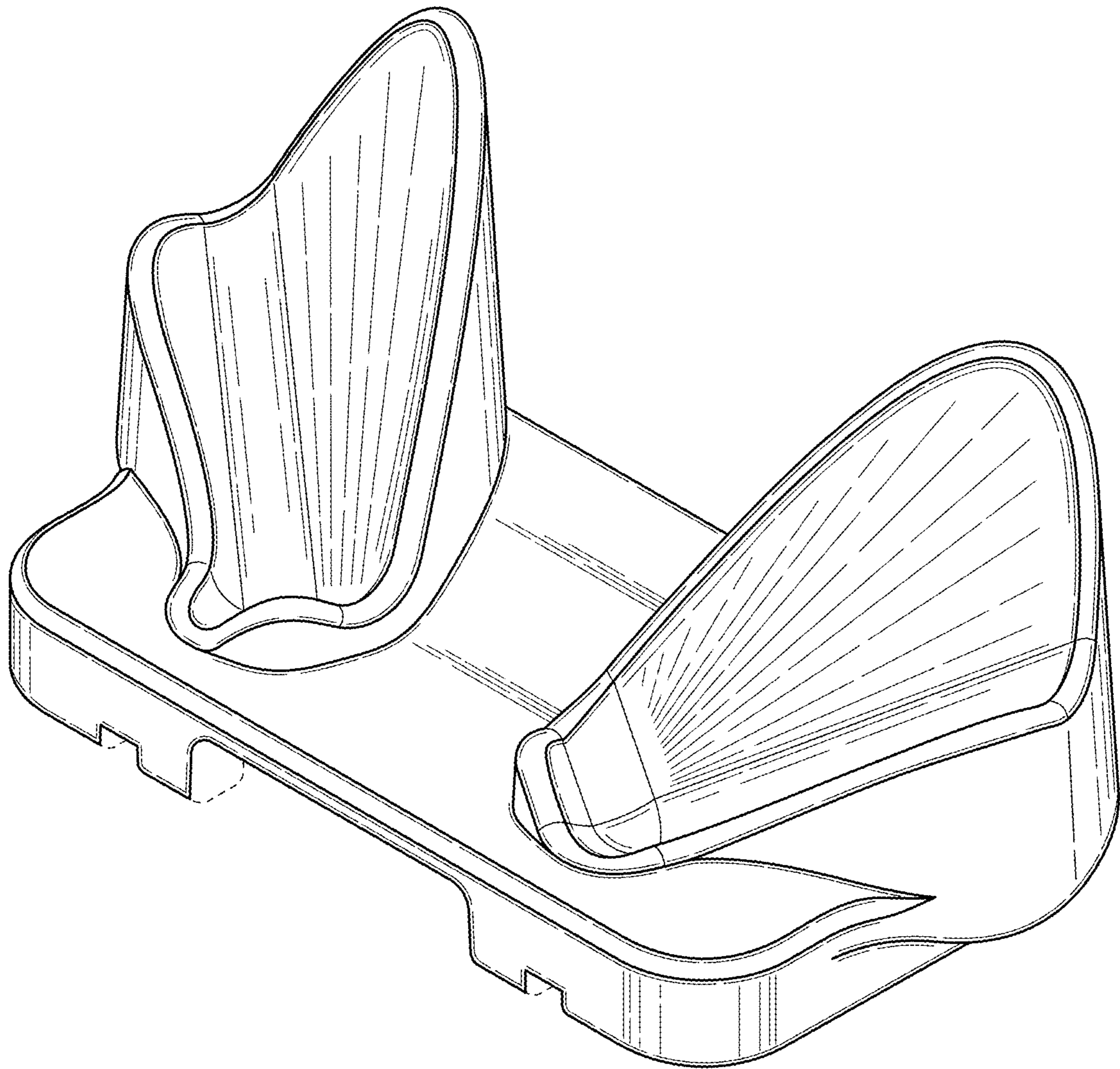


FIG. 1

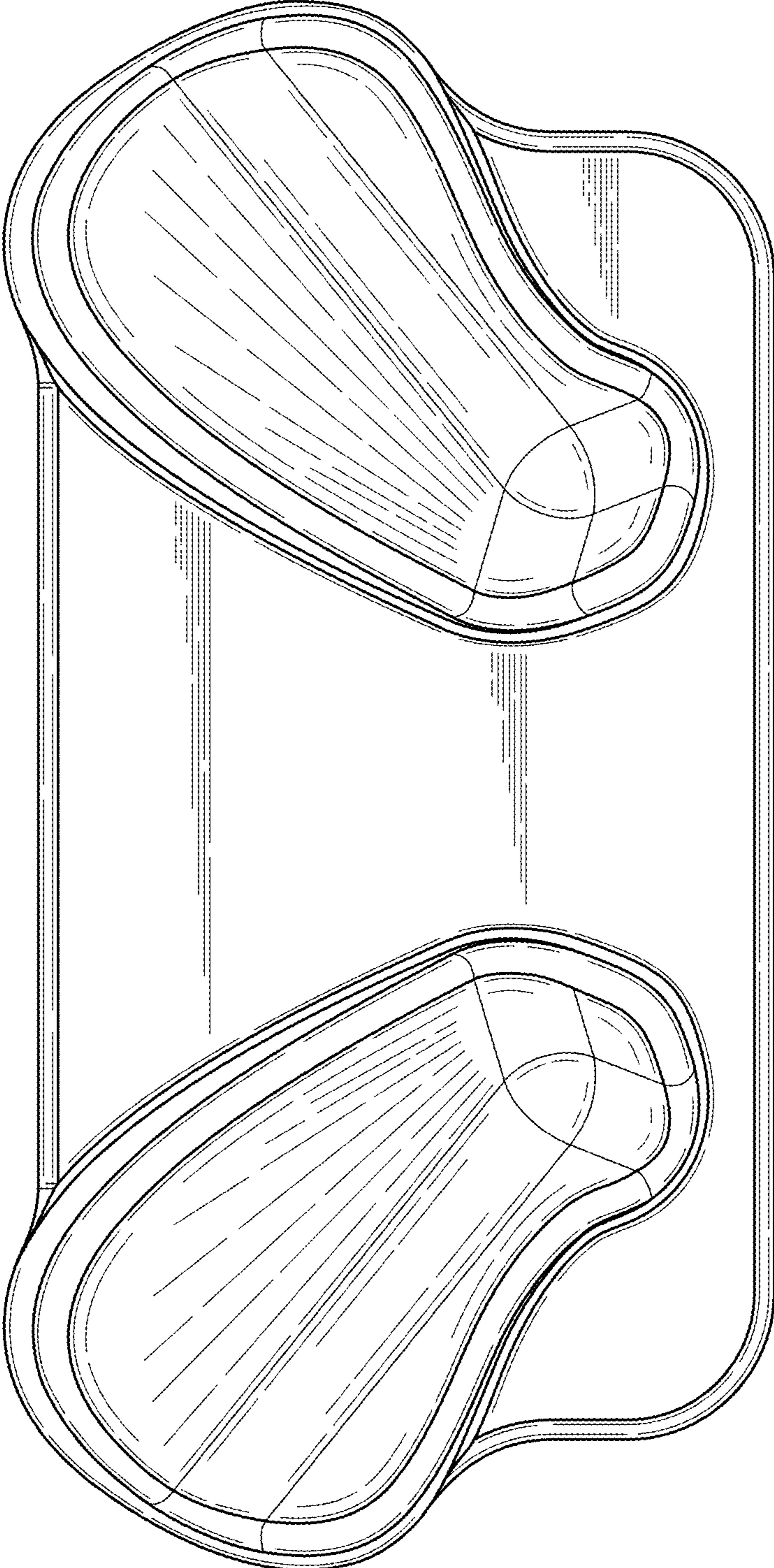


FIG. 2

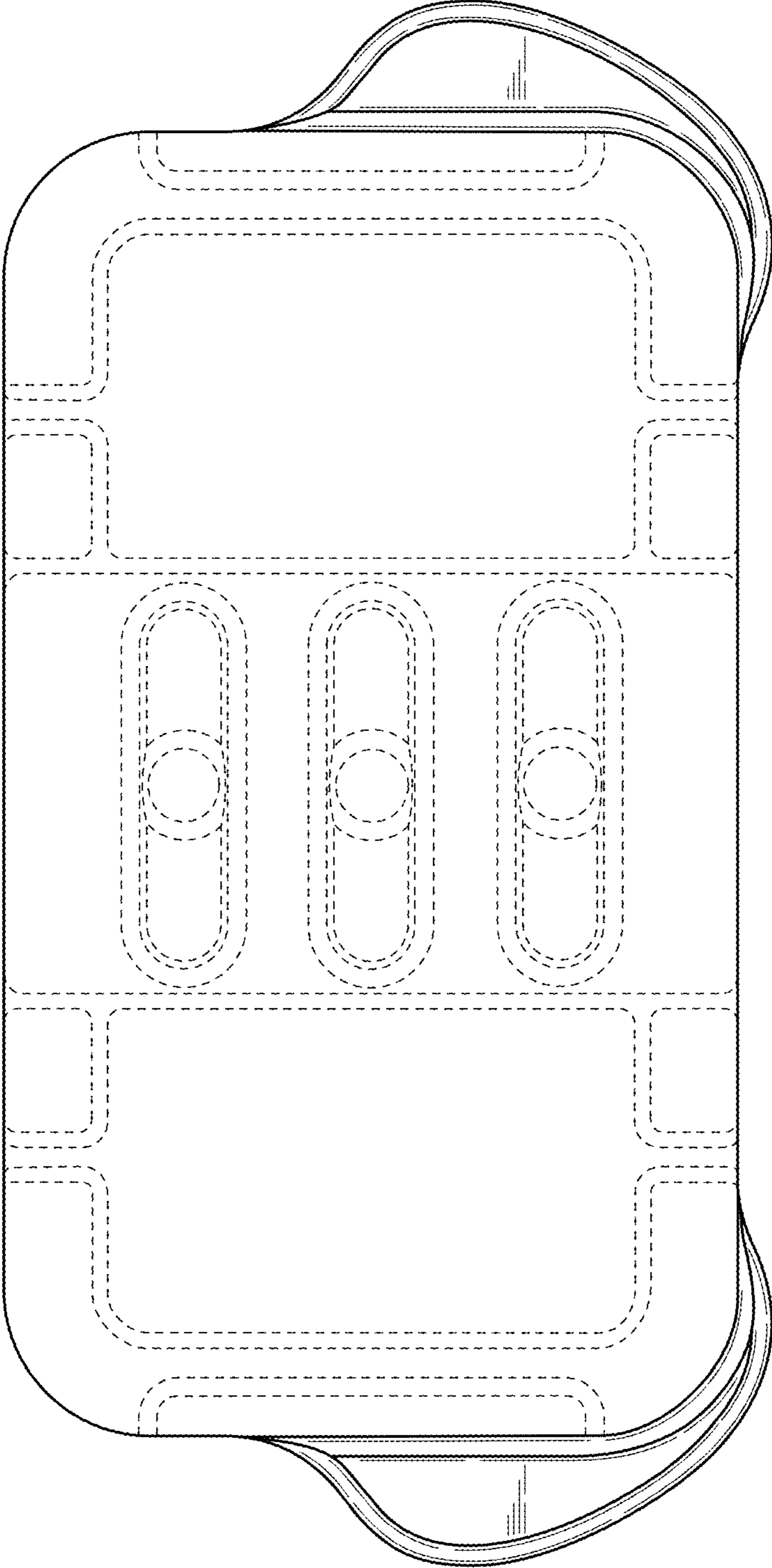


FIG. 3

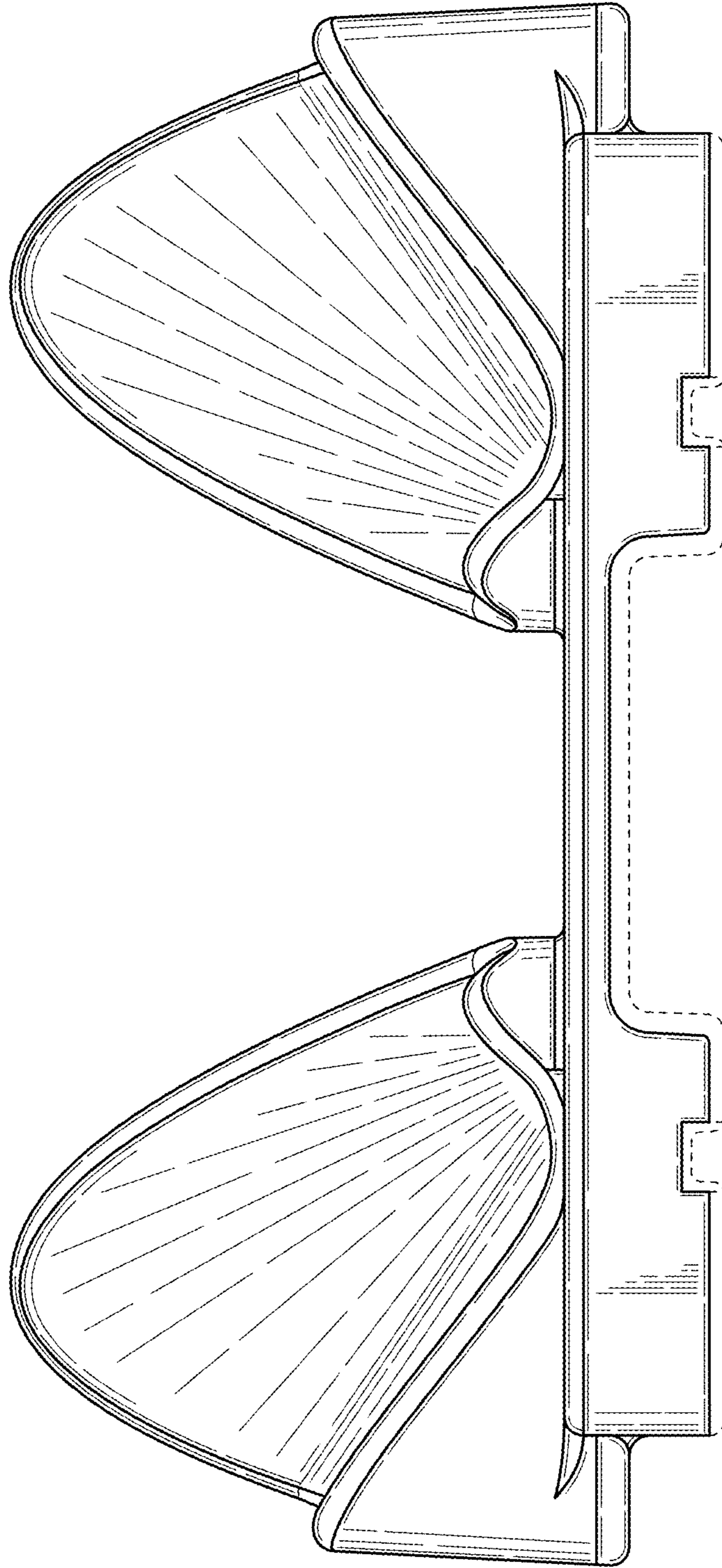


FIG. 4

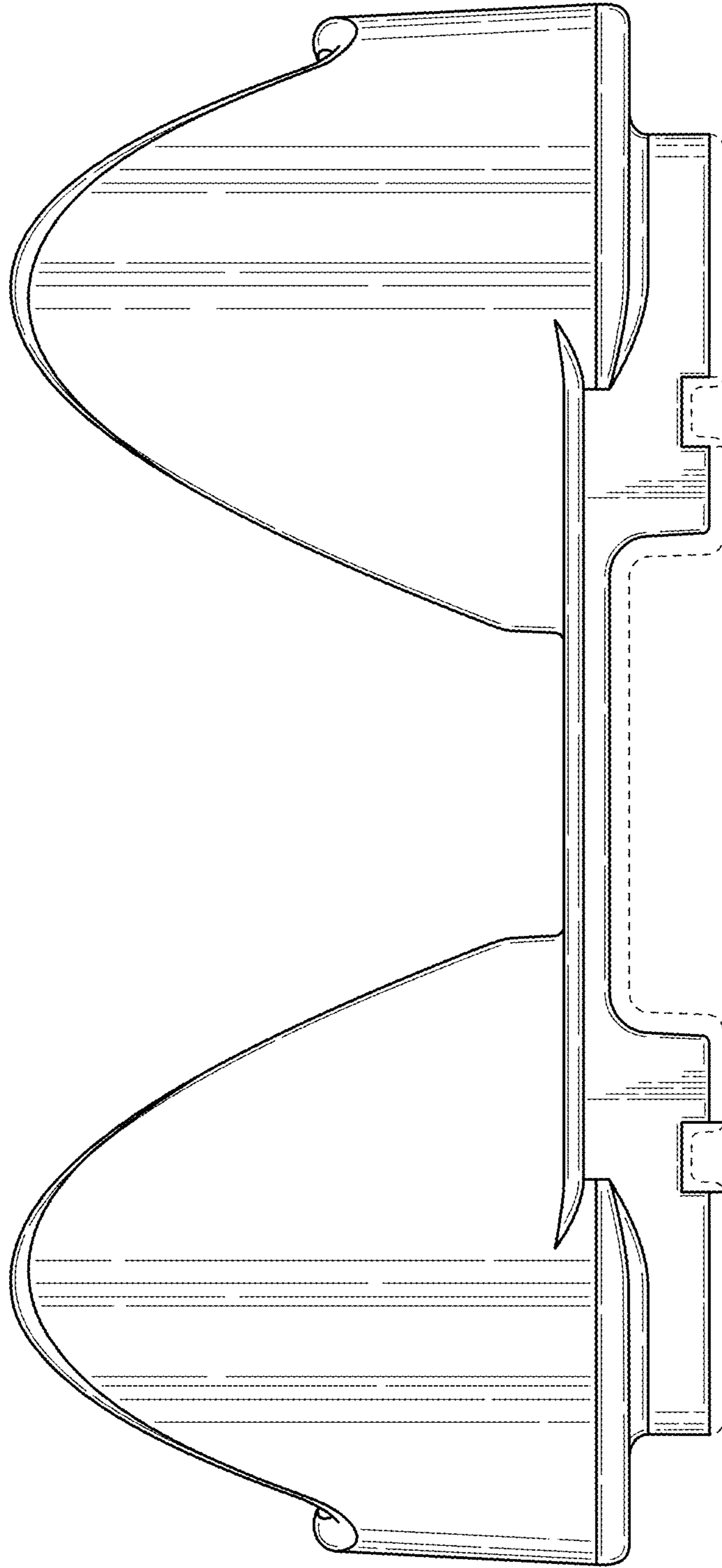


FIG. 5

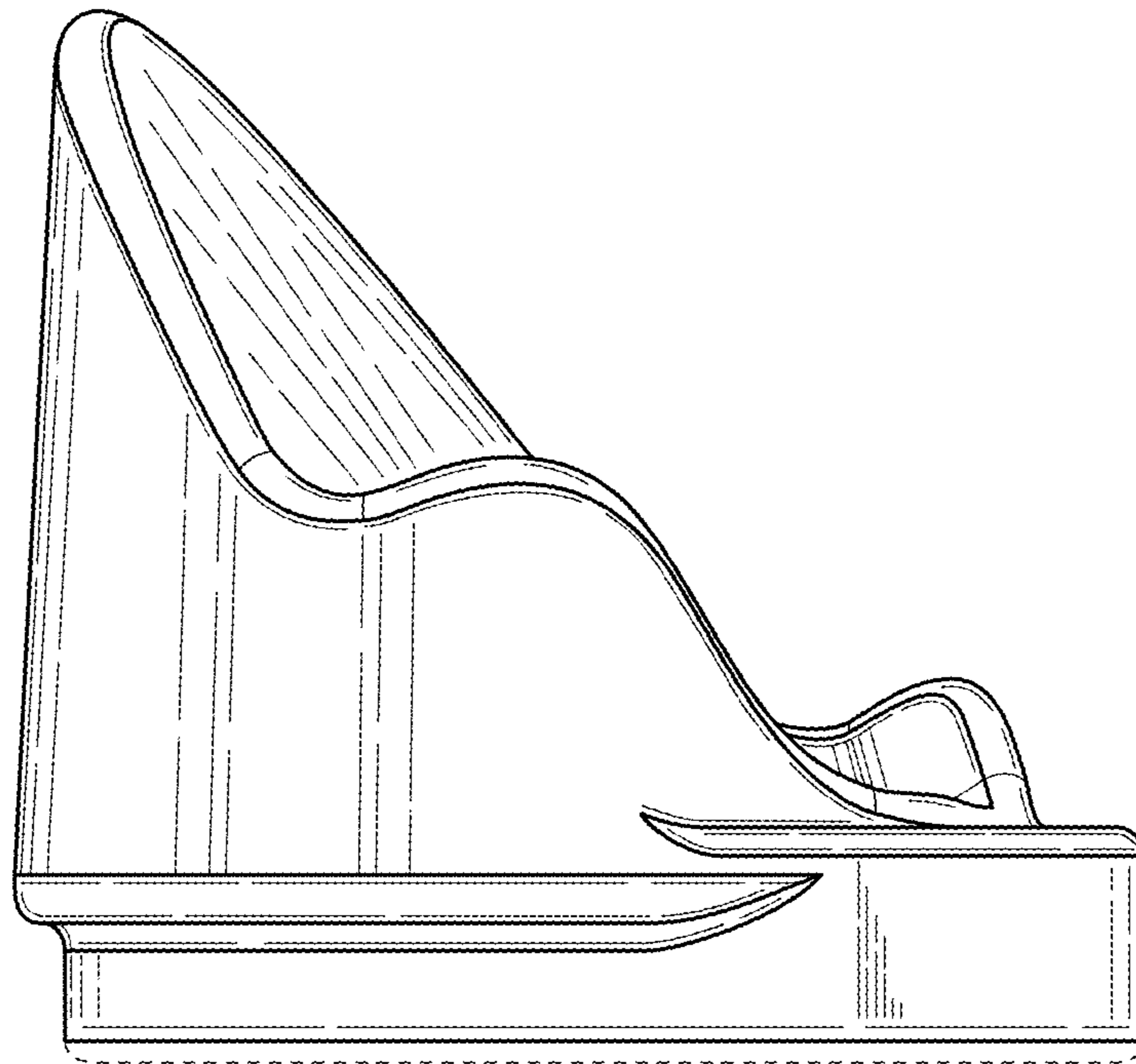


FIG. 6

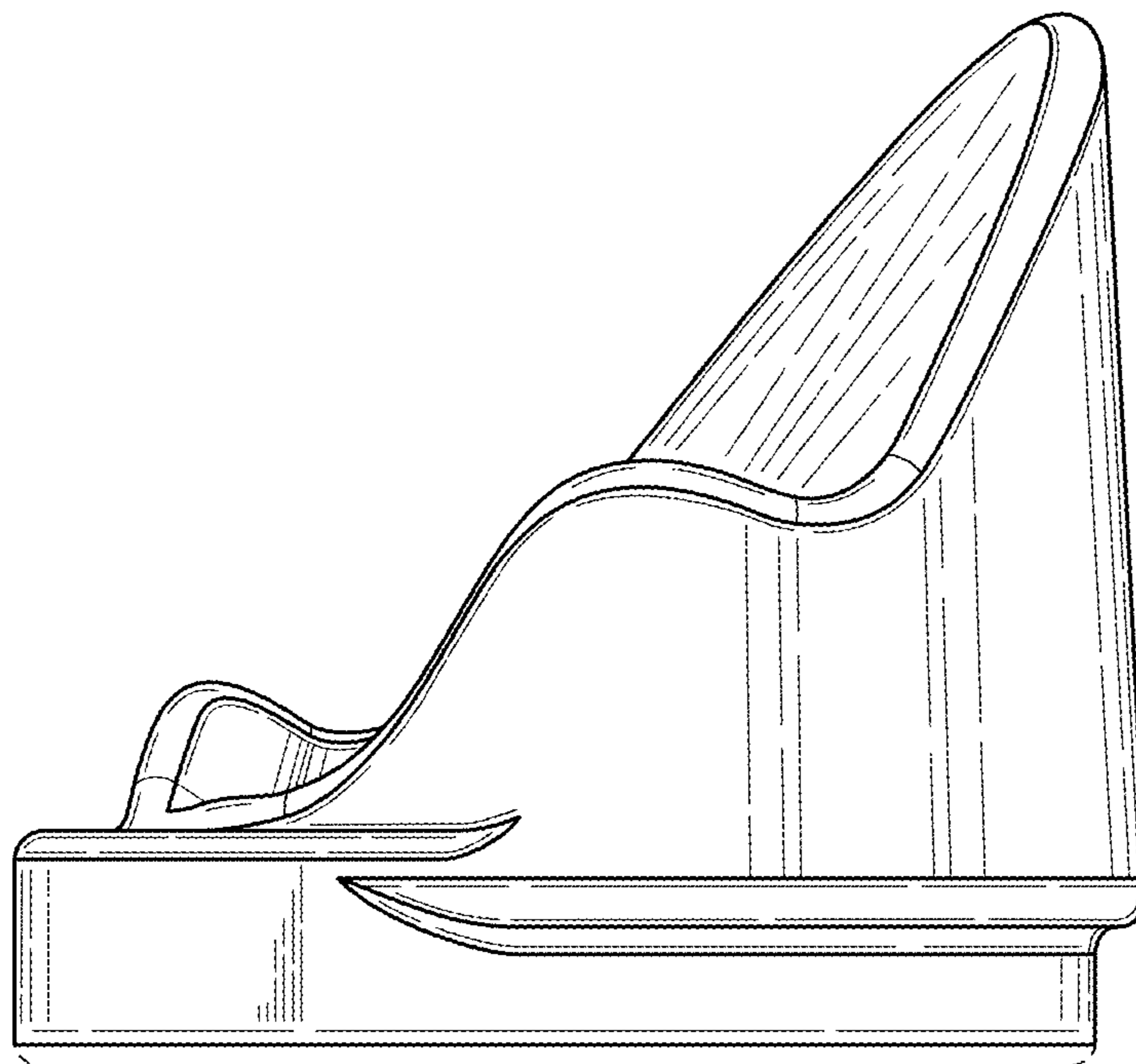


FIG. 7