



US00D886297S

(12) **United States Design Patent**
Van Wyk

(10) **Patent No.:** **US D886,297 S**
(45) **Date of Patent:** **** Jun. 2, 2020**

- (54) **EXCISING CLAMP ASSEMBLY**
- (71) Applicant: **Robert A. Van Wyk**, St. Pete Beach, FL (US)
- (72) Inventor: **Robert A. Van Wyk**, St. Pete Beach, FL (US)
- (**) Term: **15 Years**
- (21) Appl. No.: **29/709,828**
- (22) Filed: **Oct. 17, 2019**
- (51) **LOC (12) Cl.** **24-02**
- (52) **U.S. Cl.**
USPC **D24/143**
- (58) **Field of Classification Search**
USPC D24/143, 147-148, 133; D8/72, 58, 394;
606/324, 205-207
CPC ... A61B 17/28; A61B 17/282; A61B 17/2841;
A61B 2017/2808; A61B 2017/2825;
A61B 17/122; A61B 17/1285; A61B
17/29
See application file for complete search history.

- (56) **References Cited**
U.S. PATENT DOCUMENTS
D263,502 S * 3/1982 Tartaglia D24/143
6,616,683 B1 * 9/2003 Toth A61B 17/29
606/205
D687,694 S * 8/2013 Lin D24/143
D836,197 S * 12/2018 Cormio D24/143

- 2014/0135820 A1* 5/2014 Schaller A61B 17/30
606/205
- 2015/0238355 A1* 8/2015 Vezzu A61B 17/29
606/207
- 2019/0357928 A1* 11/2019 Hassan A61B 17/282

* cited by examiner

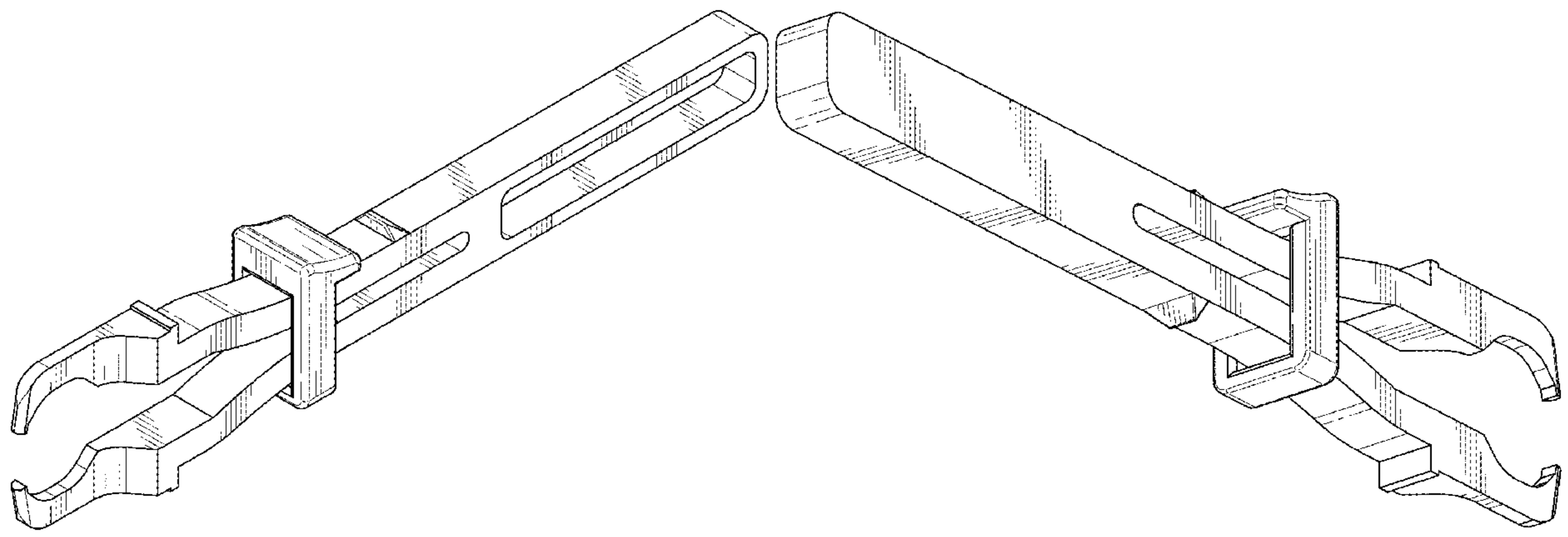
Primary Examiner — Wan Laymon
(74) *Attorney, Agent, or Firm* — Chalin A. Smith; Smith Patent, LLC

(57) **CLAIM**
I claim the ornamental design for the excising clamp assembly, as shown and described.

DESCRIPTION

FIG. 1 is a top perspective view of the excising clamp assembly of the present invention.
FIG. 2 is a bottom perspective view of excising clamp assembly depicted in FIG. 1.
FIG. 3 is a left side elevational view of the excising clamp assembly depicted in FIG. 1.
FIG. 4 is a right side elevational view of the excising clamp assembly depicted in FIG. 1.
FIG. 5 is a top down plan view of the excising clamp assembly depicted in FIG. 1.
FIG. 6 is a bottom up plan view of the excising clamp assembly depicted in FIG. 1.
FIG. 7 is a front elevational view of the excising clamp assembly depicted in FIG. 1; and,
FIG. 8 is a rear elevational view of the excising clamp assembly depicted in FIG. 1.

1 Claim, 4 Drawing Sheets



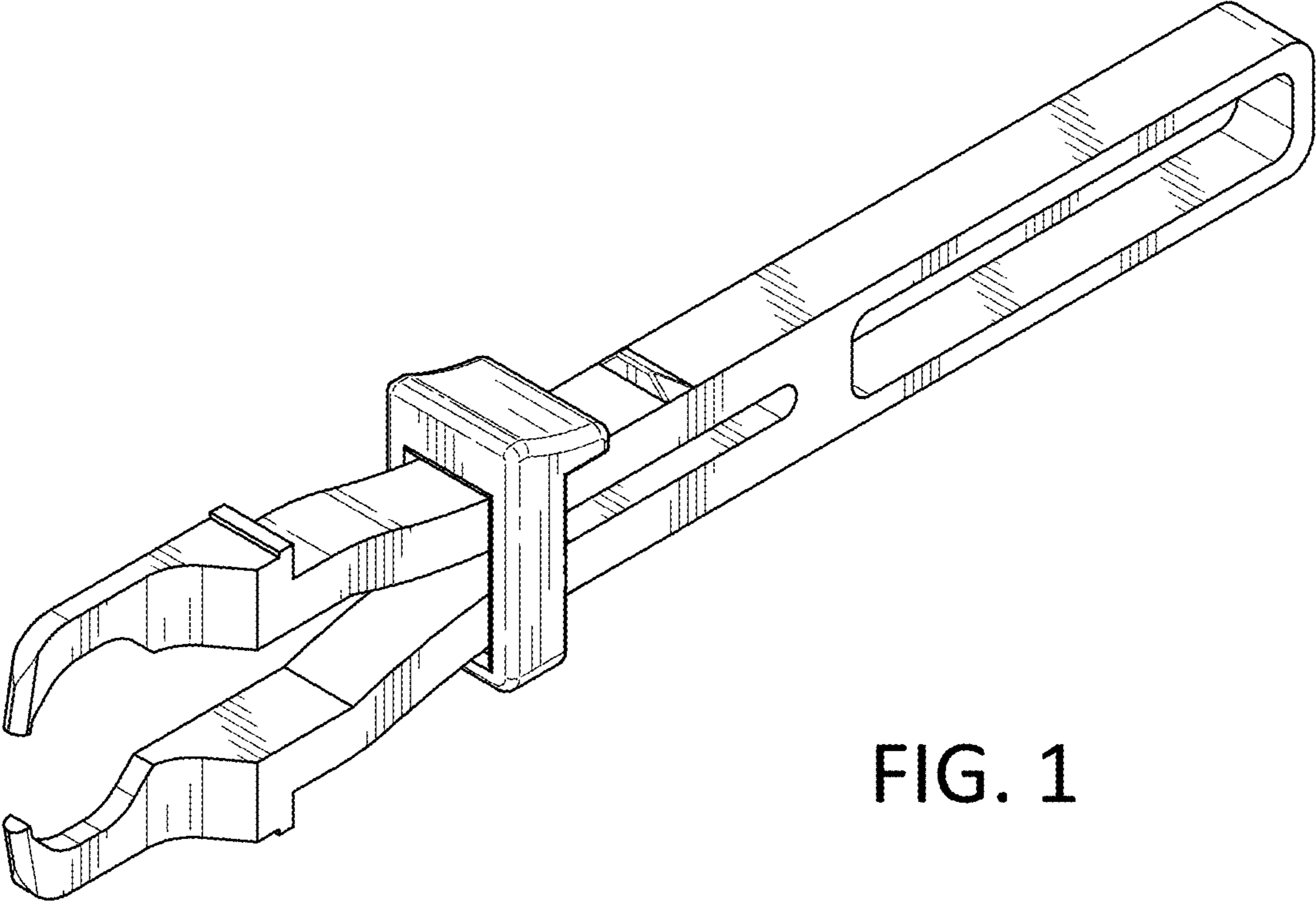


FIG. 1

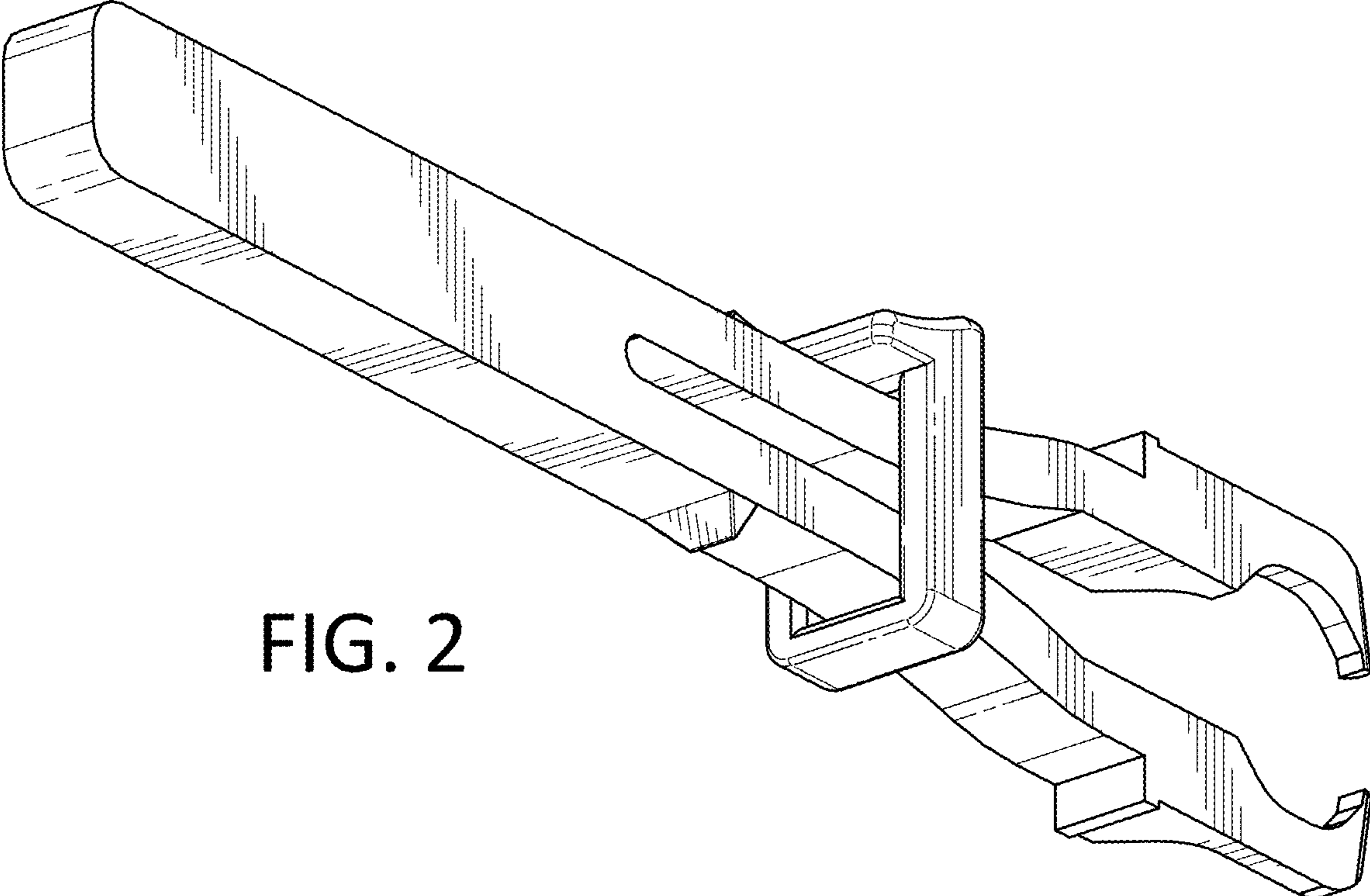


FIG. 2

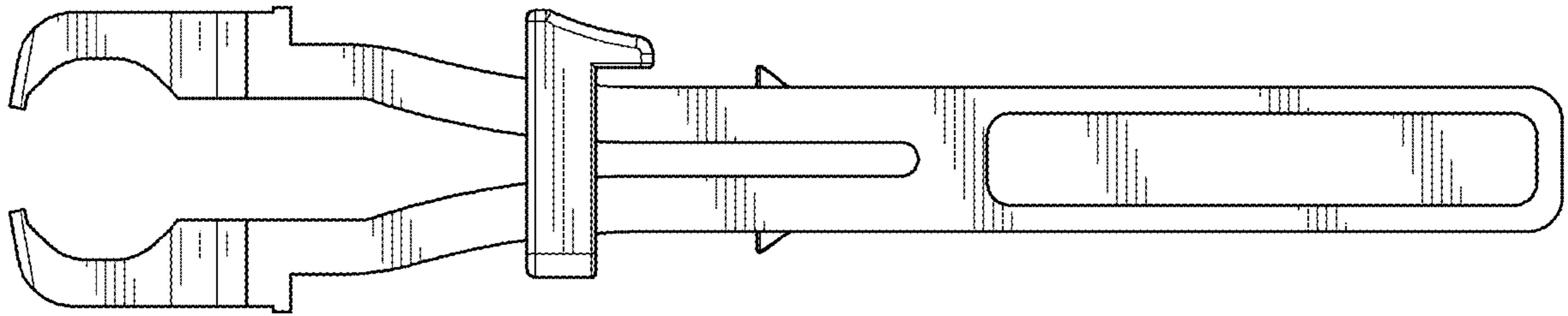


FIG. 3

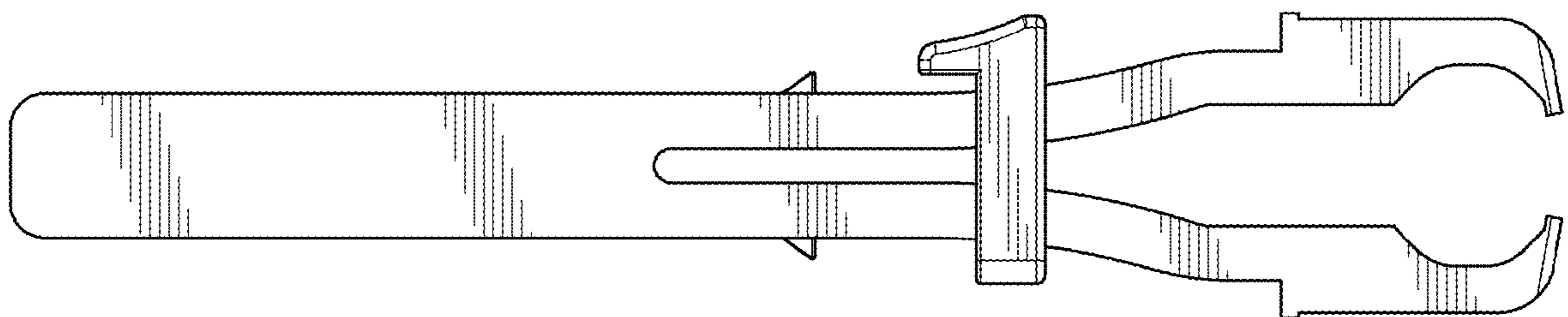


FIG. 4

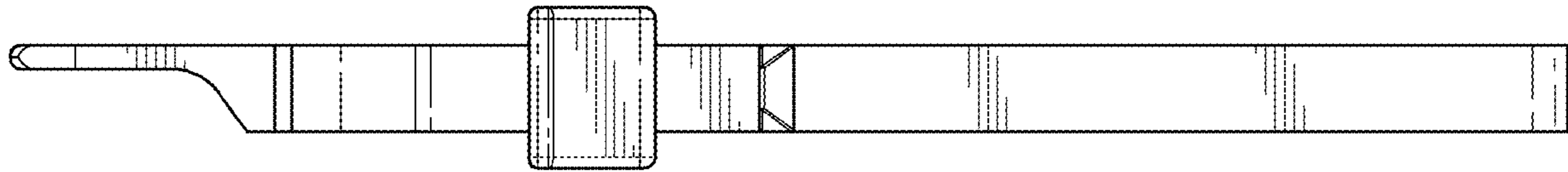


FIG. 5

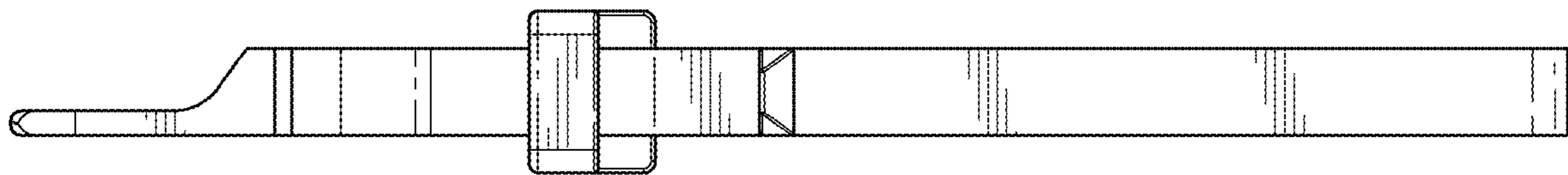


FIG. 6

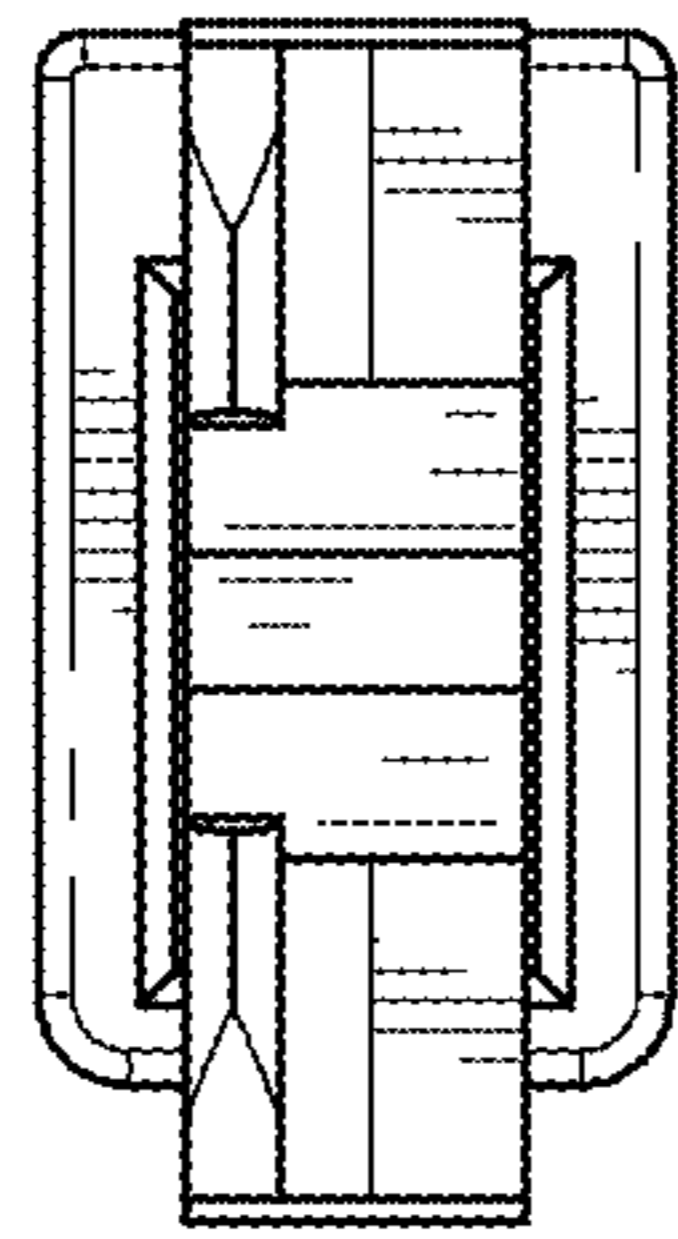


FIG. 7

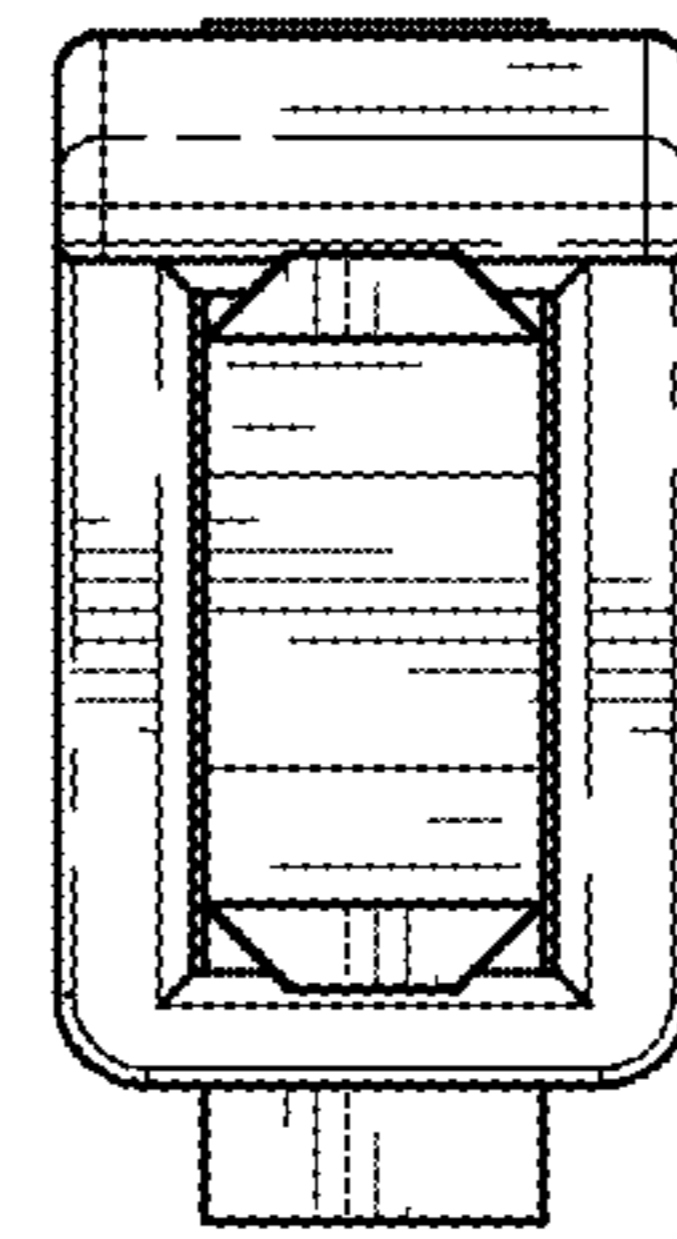


FIG. 8