



US00D886296S

(12) **United States Design Patent** (10) **Patent No.:** **US D886,296 S**
Evans et al. (45) **Date of Patent:** **** Jun. 2, 2020**

(54) **SYRINGE ADAPTER**

FOREIGN PATENT DOCUMENTS

(71) Applicant: **West Pharmaceutical Services, Inc.,**
Exton, PA (US)

CH 403164 A 11/1965
DE 29612079 U1 10/1996

(Continued)

(72) Inventors: **Christopher Evans**, Long Valley, NJ
(US); **Brian Costello**, Whitehouse
Station, NJ (US); **Christopher Gieda**,
Long Valley, NJ (US)

OTHER PUBLICATIONS

Office Action dated Oct. 1, 2018 in U.S. Appl. No. 15/651,414, by
Evans.

(Continued)

(73) Assignee: **West Pharmaceutical Services, Inc.,**
Exton, PA (US)

(**) Term: **15 Years**

Primary Examiner — David G Muller

(21) Appl. No.: **29/634,279**

(74) *Attorney, Agent, or Firm* — Panitch Schwarze
Belisario & Nadel LLP

(22) Filed: **Jan. 19, 2018**

Related U.S. Application Data

(60) Continuation of application No. 15/651,414, filed on
Jul. 17, 2017, now Pat. No. 10,398,841, which is a
division of application No. 13/796,794, filed on Mar.
12, 2013, now Pat. No. 9,717,854, which is a
continuation-in-part of application No.
PCT/US2011/036251, filed on May 12, 2011.

(57) **CLAIM**

The ornamental design for a syringe adapter, as shown and
described.

(51) **LOC (12) Cl.** **24-02**

DESCRIPTION

(52) **U.S. Cl.**
USPC **D24/130**

(58) **Field of Classification Search**
USPC D24/112–114, 108, 133, 130, 127, 186;
606/181, 185; 604/264, 272, 187, 181,
604/184, 227

CPC A61M 5/178; A61M 3/00; A61M 5/20;
A61M 5/31; A61M 5/3146; A61M
5/3129; A61M 5/3148; A61M 5/315

See application file for complete search history.

FIG. 1 is a top left side perspective view of a syringe adapter
in accordance with our new design;

FIG. 2 is a top front side perspective view of the design
shown in FIG. 1;

FIG. 3 is a left side elevation view of the design shown in
FIG. 1, a right side elevation view being a mirror image
thereof; and,

FIG. 4 is a top plan view of the design shown in FIG. 1.

The broken lines are directed to environment and are for
illustrative purposes only; the broken lines form no part of
the claimed design.

The bottom plan view of the first embodiment of the syringe
adapter is not shown in the drawings or described in the
specification and, therefore, forms no part of the claimed
design.

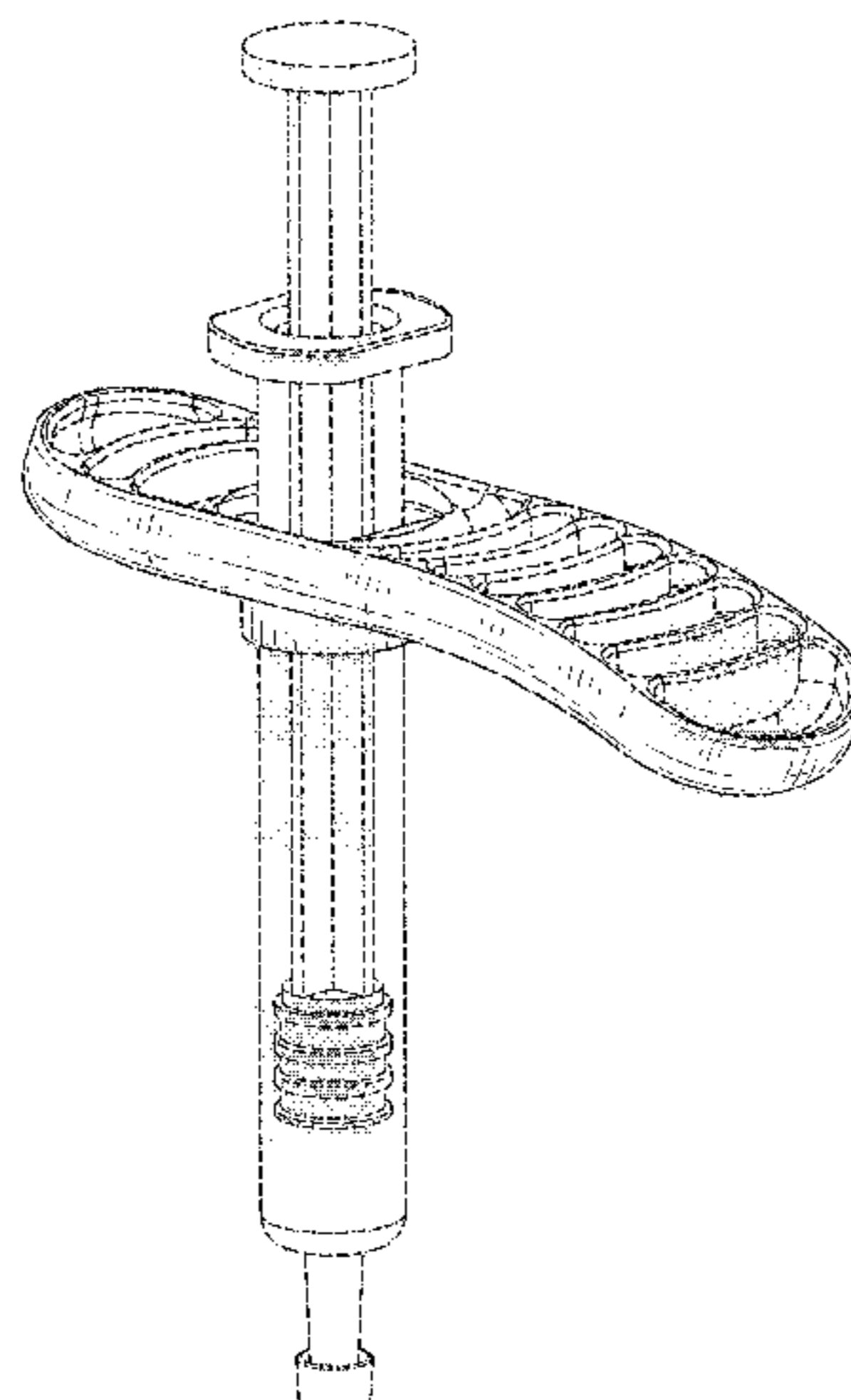
(56) **References Cited**

U.S. PATENT DOCUMENTS

1,589,969 A 6/1926 Jaros
3,076,455 A 2/1963 McConnaughey
4,540,405 A 9/1985 Miller et al.

(Continued)

1 Claim, 3 Drawing Sheets



(56)

References Cited

U.S. PATENT DOCUMENTS

4,687,472 A 8/1987 Gross
 4,909,788 A 3/1990 Egolf
 5,419,775 A 5/1995 Haffner et al.
 5,496,286 A 3/1996 Stiehl et al.
 5,509,903 A 4/1996 Grendahl et al.
 5,984,901 A 11/1999 Sudo et al.
 D419,671 S * 1/2000 Jansen D24/112
 D661,389 S * 6/2012 Morgan D24/114
 D702,835 S * 4/2014 Vinchon D24/130
 D775,324 S * 12/2016 Larson D24/114
 D775,325 S * 12/2016 Larson D24/114
 D784,524 S * 4/2017 Corbin D24/127
 D784,526 S * 4/2017 Grunhut D24/127
 D784,527 S * 4/2017 Llewellyn-Hyde D24/127
 D794,187 S * 8/2017 Dolk D24/130
 D796,670 S * 9/2017 Dolk D24/130
 D802,753 S * 11/2017 Holland D24/114
 D819,805 S * 6/2018 Knight D24/114
 D824,516 S * 7/2018 Ohashi D24/130
 2003/0060777 A1 3/2003 Benz et al.
 2003/0212380 A1 11/2003 Barrelle
 2007/0270763 A1 11/2007 Tanner et al.
 2008/0097338 A1 4/2008 Cheng et al.
 2009/0062744 A1 3/2009 Weilbacher et al.

2009/0182284 A1 7/2009 Morgan
 2009/0182285 A1 7/2009 Lee et al.
 2011/0046604 A1 2/2011 Felsovalyi et al.
 2012/0041388 A1 2/2012 Blomquist
 2012/0279996 A1 11/2012 Pappalardo et al.
 2013/0303993 A1 11/2013 Evans et al.

FOREIGN PATENT DOCUMENTS

EP 0265876 A2 5/1988
 EP 1285675 A1 2/2003

OTHER PUBLICATIONS

Int'l Search Report and Written Opinion dated Jun. 29, 2012 in Int'l Application No. PCT/US2011/036251.
 Int'l Preliminary Report on Patentability dated Nov. 21, 2013 in Int'l Application No. PCT/US2011/036251.
 Office Action dated Oct. 3, 2016 in U.S. Appl. No. 13/796,794, by Evans.
 Office Action dated Sep. 2, 2015 in U.S. Appl. No. 13/796,794, by Evans.
 Office Action dated Jan. 26, 2016 in U.S. Appl. No. 13/796,794, by Evans.

* cited by examiner

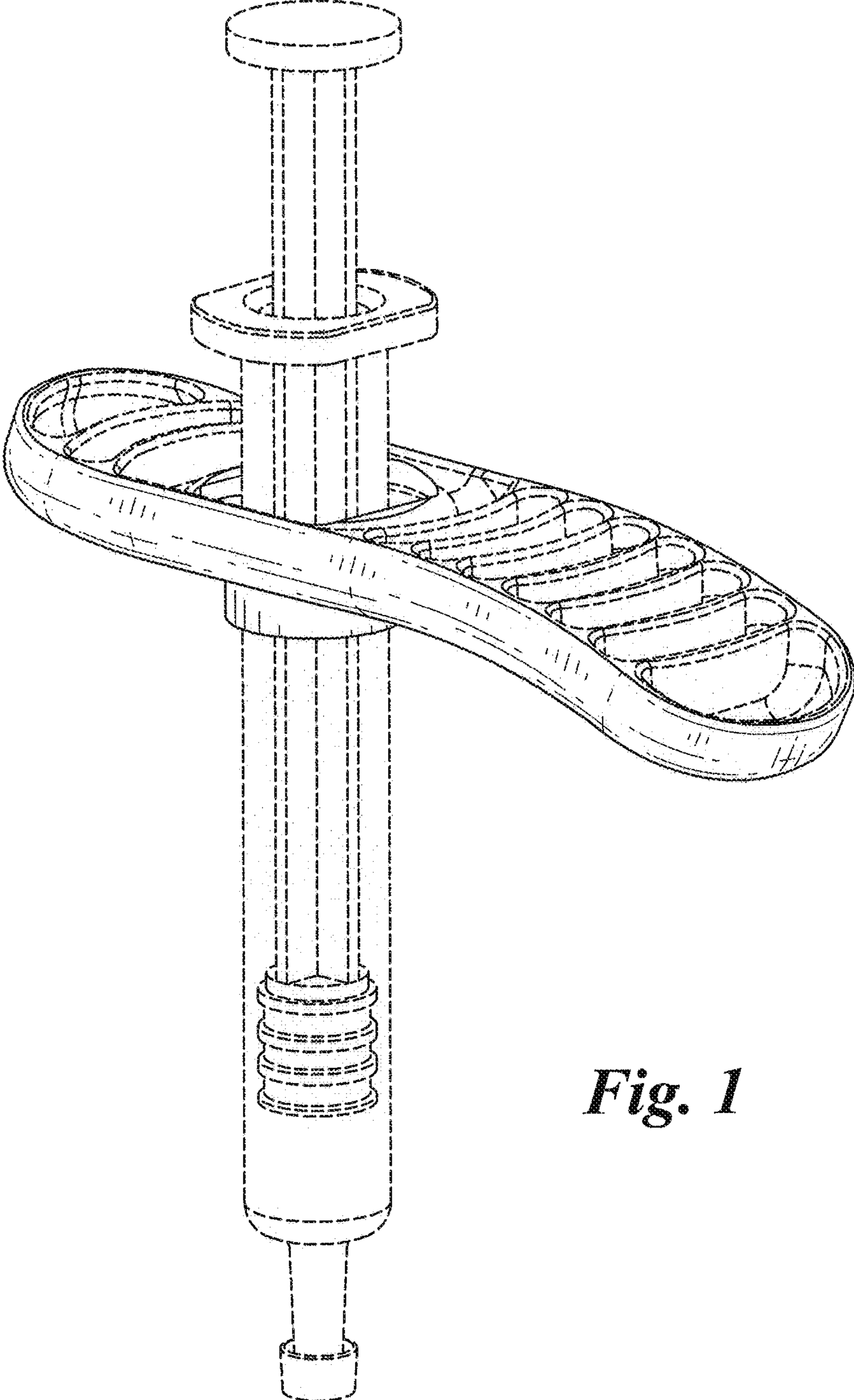


Fig. 1

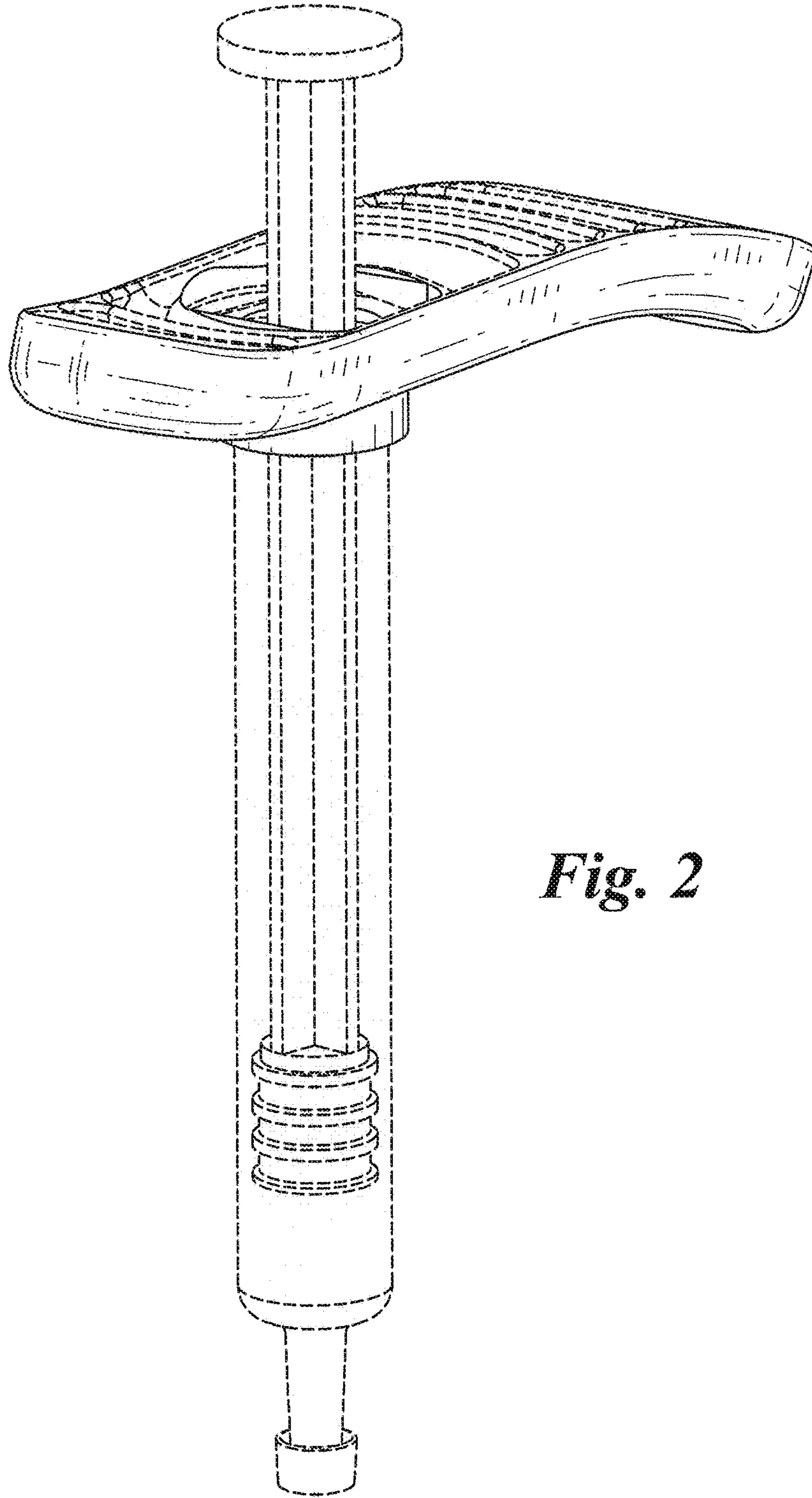


Fig. 2

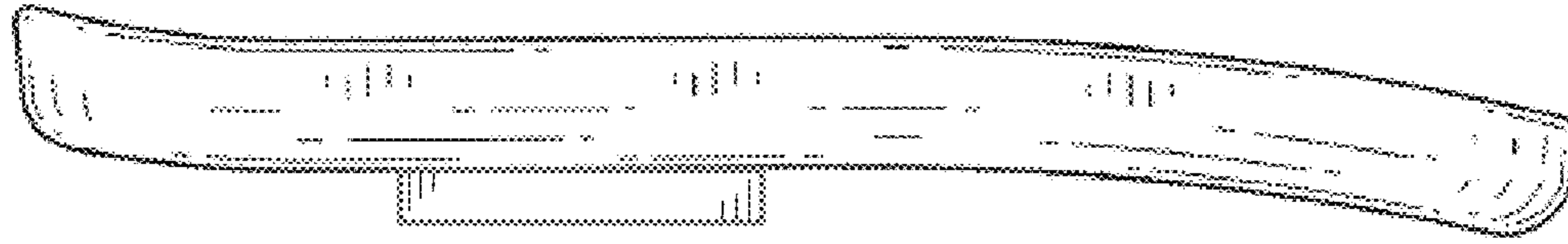


Fig. 3

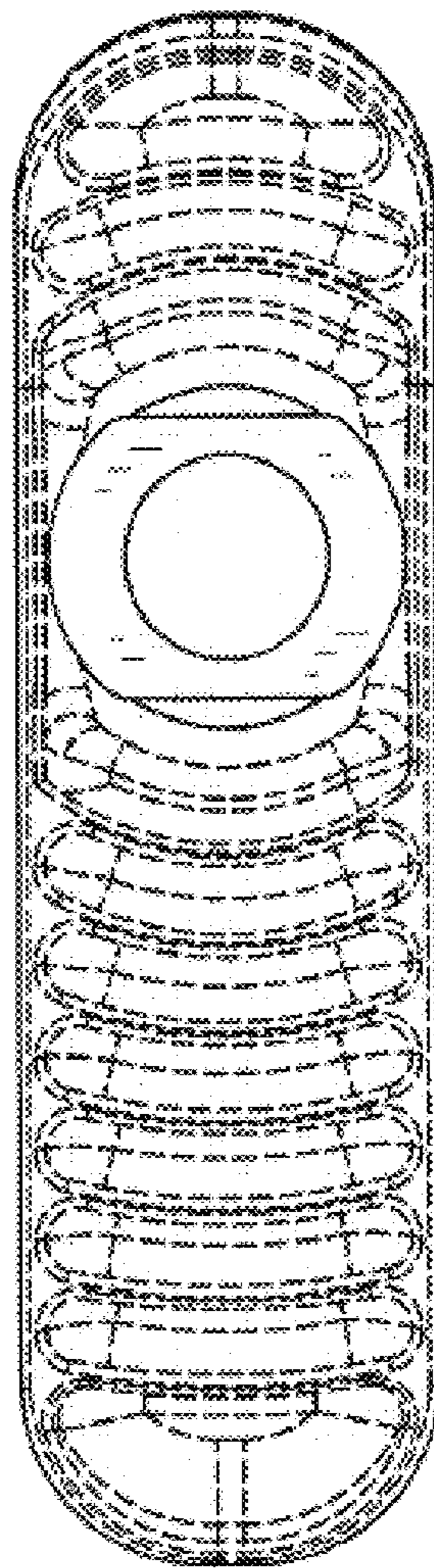


Fig. 4