



US00D886290S

(12) **United States Design Patent** (10) **Patent No.:** **US D886,290 S**  
**Haddad et al.** (45) **Date of Patent:** **\*\* \*Jun. 2, 2020**

- (54) **INTRAVENOUS TUBING ARTERIAL LINE INDICATOR**
  - (71) Applicant: **Star Luminal LLC**, San Antonio, TX (US)
  - (72) Inventors: **Eric A. Haddad**, Boerne, TX (US);  
**Bryce G. Rutter**, St. Louis, MO (US);  
**Tucker P. Brown**, St. Louis, MO (US);  
**David J. Friedman**, San Antonio, TX (US)
  - (73) Assignee: **STAR LUMINAL LLC**, San Antonio, TX (US)
  - (\*) Notice: This patent is subject to a terminal disclaimer.
  - (\*\*) Term: **15 Years**
  - (21) Appl. No.: **29/672,379**
  - (22) Filed: **Dec. 5, 2018**
  - (51) **LOC (12) Cl.** ..... **24-01**
  - (52) **U.S. Cl.**  
USPC ..... **D24/127; D20/28**
  - (58) **Field of Classification Search**  
USPC ..... D24/127-131, 112-114, 133, 186;  
606/181, 185; 604/264, 523-528, 272,  
604/187, 158, 164.01-164.11, 181, 184,  
604/227; 600/101, 139, 143;  
128/200.24, 207.14, 207.15; D8/396,  
D8/356; D6/300, 674; D12/193;  
D14/489, 490, 492, 495; D20/1-44, 99  
CPC ..... A61M 25/00; A61M 39/00; A61M 27/00;  
A61M 25/0043; A61M 5/0067; A61M  
25/0097; A61M 5/14; A61M 5/1411;  
A61M 2205/60; A61M 2205/6063; A61M  
2205/6072; A61M 2205/6081; A61F  
2/958; A62C 13/78; A47K 10/14; A47G  
25/0657
- See application file for complete search history.

- (56) **References Cited**
- U.S. PATENT DOCUMENTS
- |           |    |   |         |                  |       |           |
|-----------|----|---|---------|------------------|-------|-----------|
| D386,211  | S  | * | 11/1997 | Taparauskas, Jr. | ..... | D20/22    |
| D436,881  | S  | * | 1/2001  | Sloven           | ..... | D10/114.1 |
| D438,134  | S  | * | 2/2001  | Sloven           | ..... | D10/109.1 |
| 6,613,012 | B2 |   | 9/2003  | Kraushaar        |       |           |
| D556,606  | S  | * | 12/2007 | Stauffer         | ..... | D10/15    |
| 7,338,476 | B2 |   | 3/2008  | Kraushaar        |       |           |
| 7,374,318 | B2 |   | 5/2008  | Brooks et al.    |       |           |
| 7,455,662 | B2 |   | 11/2008 | Kraushaar        |       |           |
| D636,819  | S  | * | 4/2011  | Walker           | ..... | D20/28    |
| D638,664  | S  | * | 5/2011  | Mayer            | ..... | D7/624.1  |
| D660,367  | S  | * | 5/2012  | Podd             | ..... | D20/42    |
| D665,030  | S  | * | 8/2012  | Podd             | ..... | D20/42    |
| D791,242  | S  | * | 7/2017  | Lemberger        | ..... | D20/41    |
- (Continued)

*Primary Examiner* — Nathan M Johnston  
(74) *Attorney, Agent, or Firm* — Joseph Agostino;  
Greenberg Traurig, LLP

(57) **CLAIM**

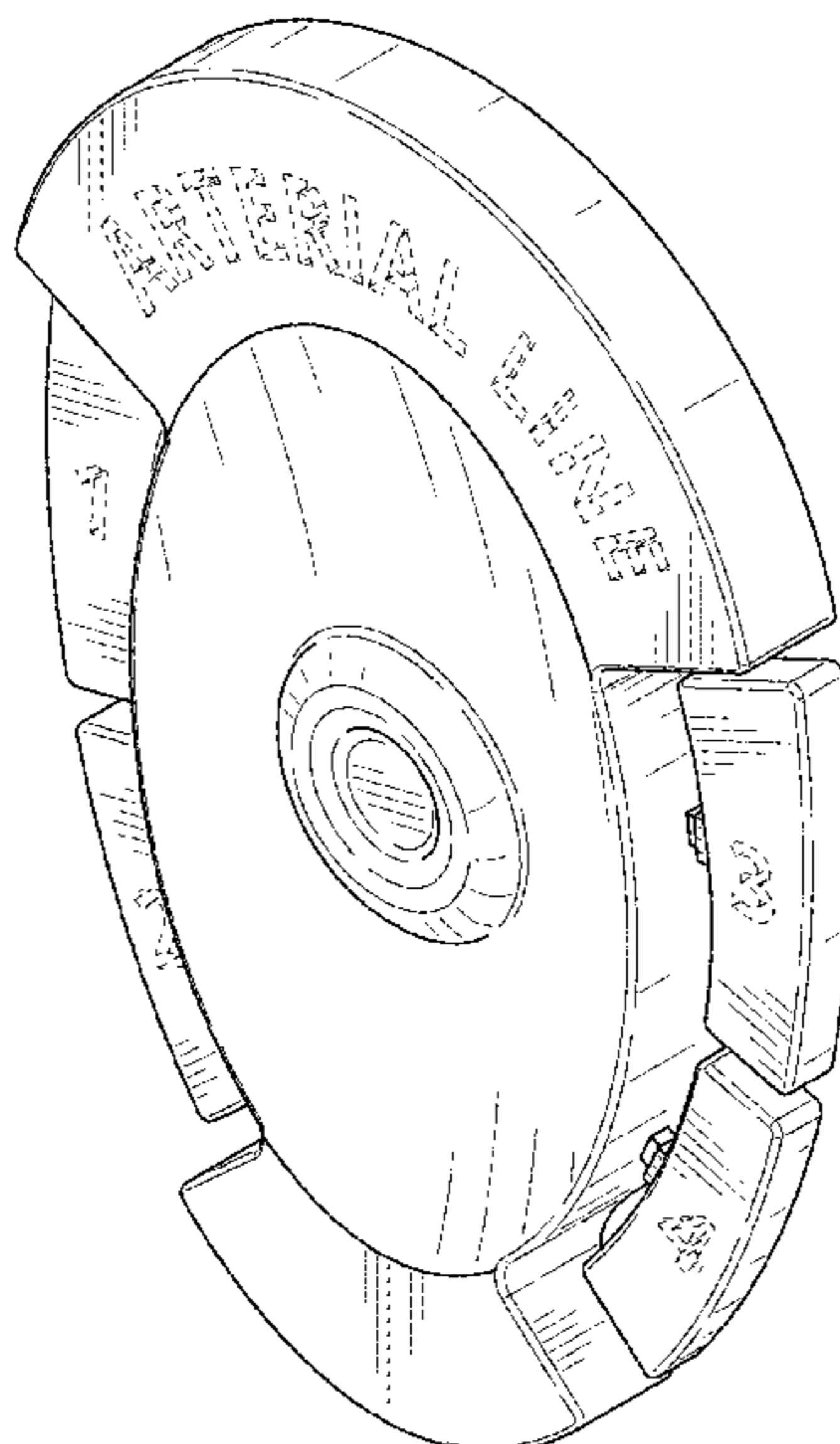
The ornamental design for an intravenous tubing arterial line indicator, as shown and described.

**DESCRIPTION**

FIG. 1 is a top perspective view of an intravenous tubing indicator for arterial line indicator showing our new design; FIG. 2 is a front elevation view thereof; FIG. 3 is a rear elevation view thereof; FIG. 4 is a right side elevation view thereof; FIG. 5 is a left side elevation view thereof; FIG. 6 is top plan view thereof; and, FIG. 7 is a bottom plan view thereof.

The dashed lines immediately adjacent the shaded areas in the figures represent the boundaries of the claimed design. The dashed lines in the figures illustrate the portions of the design that form no part of the claimed design. None of the broken lines form any part of the claimed design.

**1 Claim, 5 Drawing Sheets**



(56)

**References Cited**

U.S. PATENT DOCUMENTS

D791,878	S	*	7/2017	Loew	.....	D20/41
D803,943	S	*	11/2017	Loew	.....	D20/41
9,833,560	B2		12/2017	Reichert et al.		
9,919,095	B2		3/2018	Reichert et al.		
9,925,329	B2		3/2018	Reichert et al.		
D842,382	S	*	3/2019	Loew	.....	D20/41
D849,053	S	*	5/2019	Niven	.....	D14/492
2002/0058928	A1		5/2002	Antonio, II		
2005/0171492	A1		8/2005	Rodriquez		

\* cited by examiner

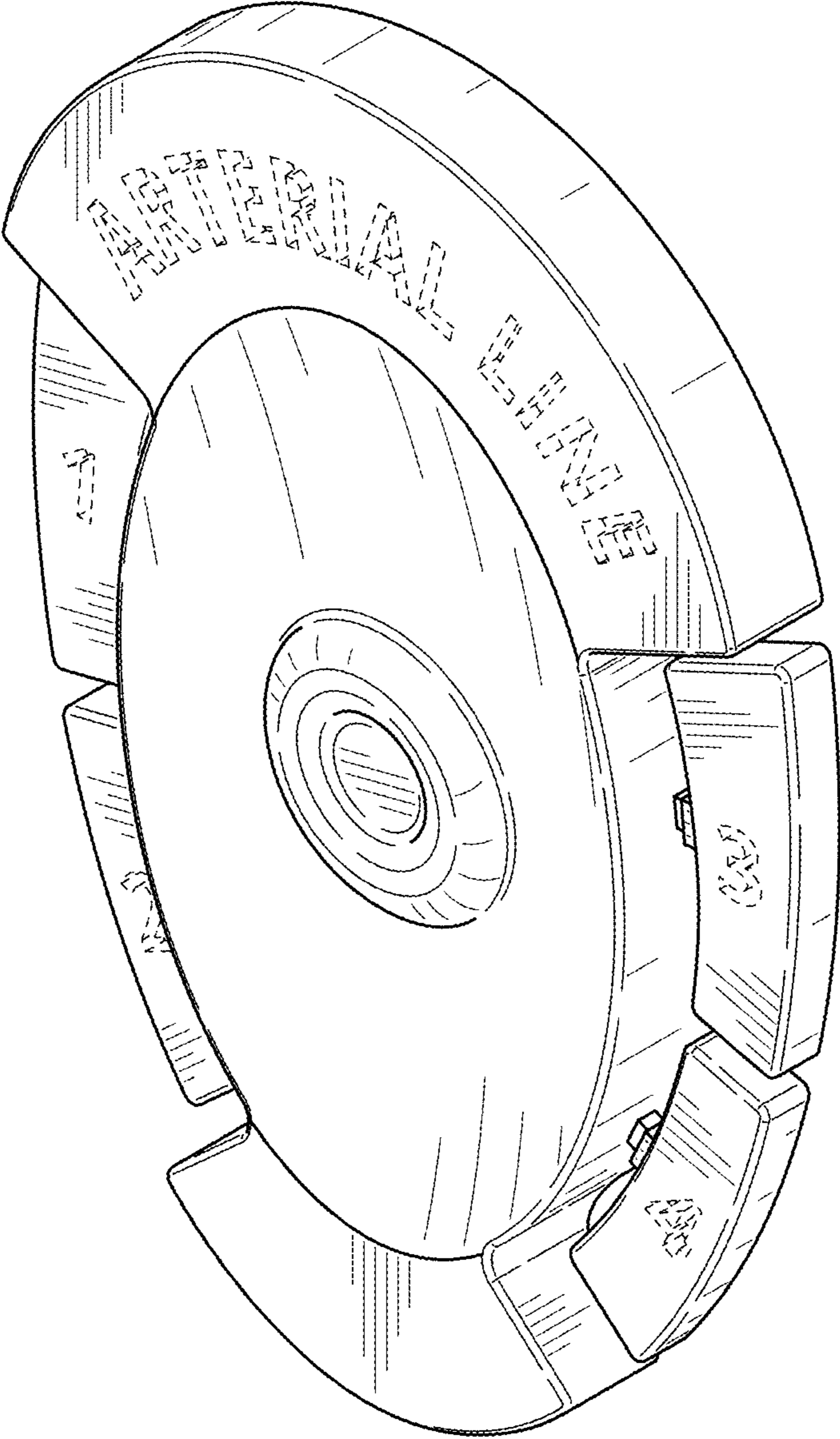


FIG. 1

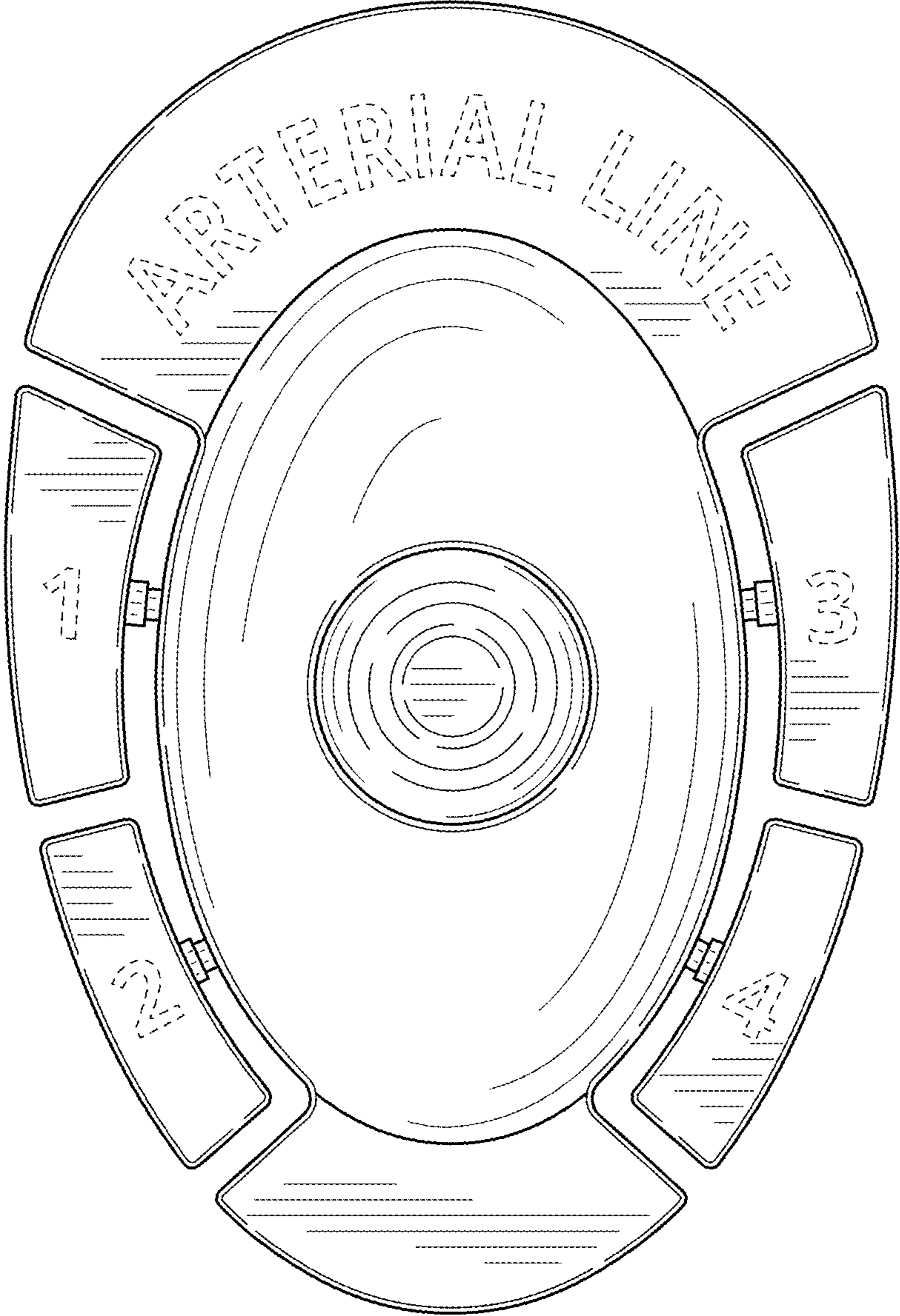


FIG. 2

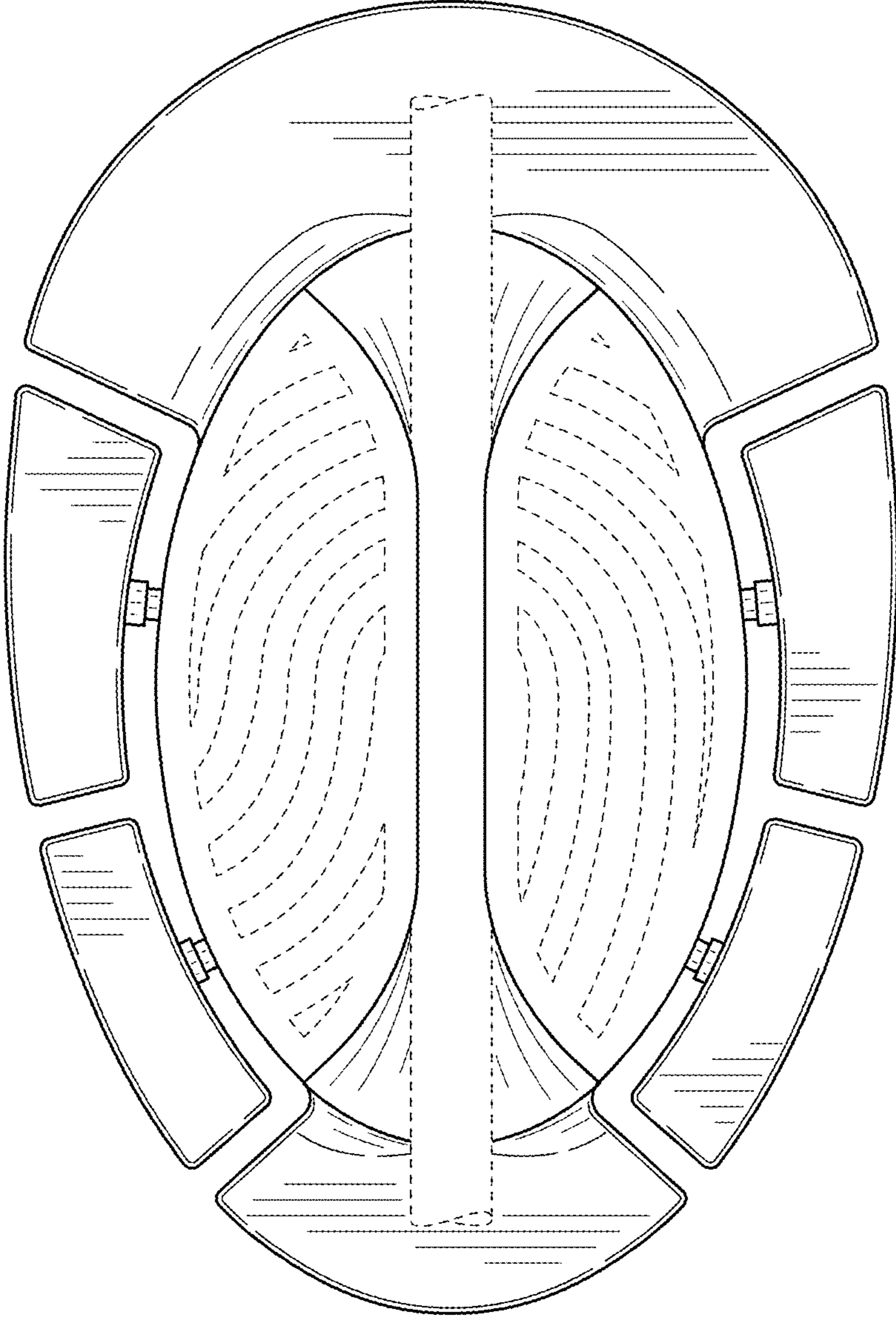


FIG. 3

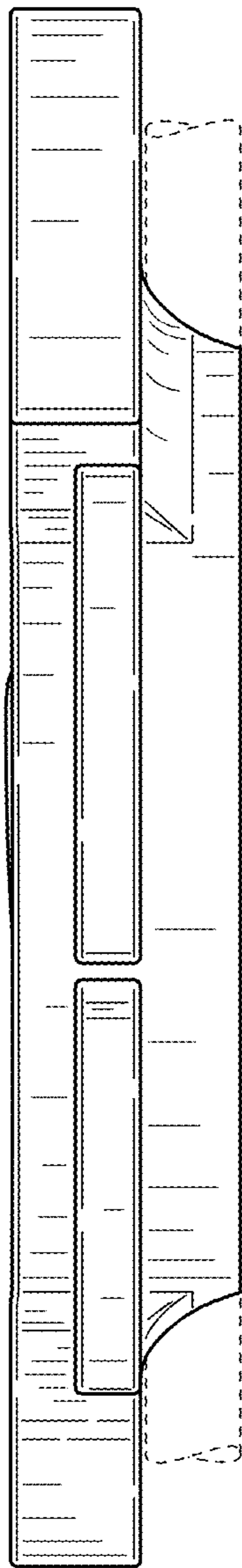


FIG. 4

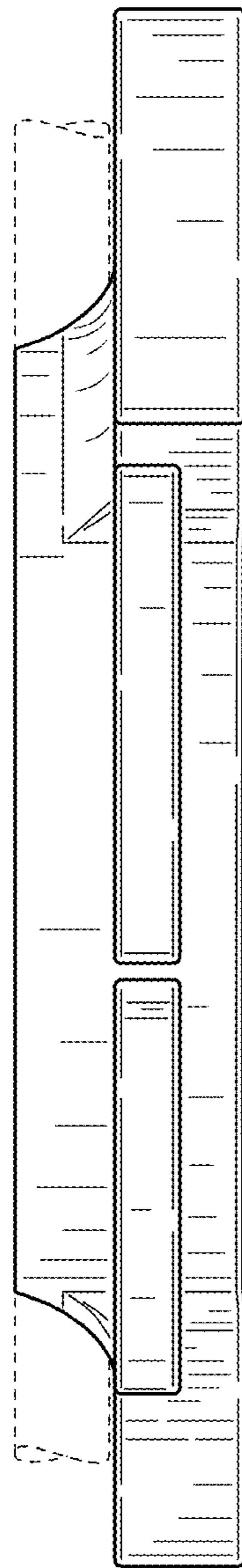


FIG. 5

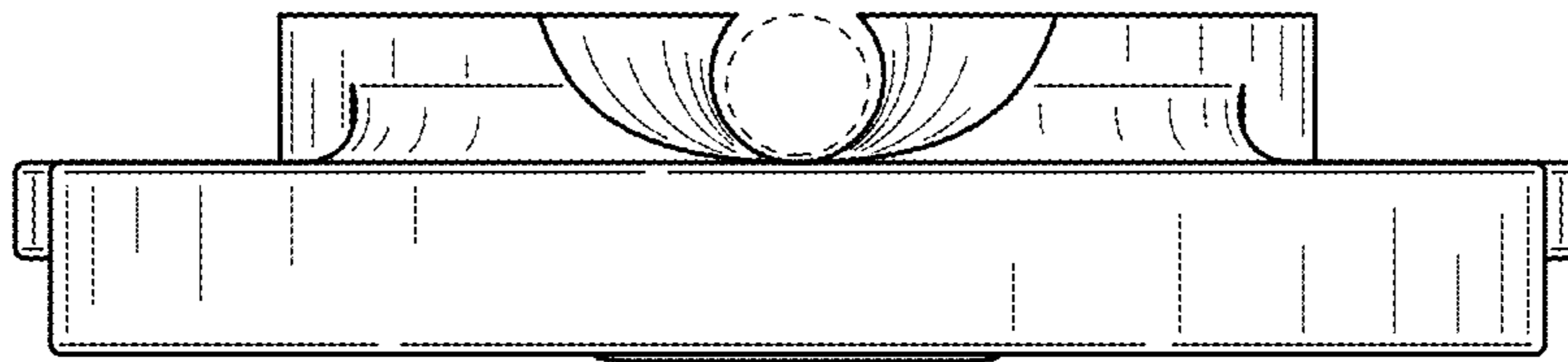


FIG. 6

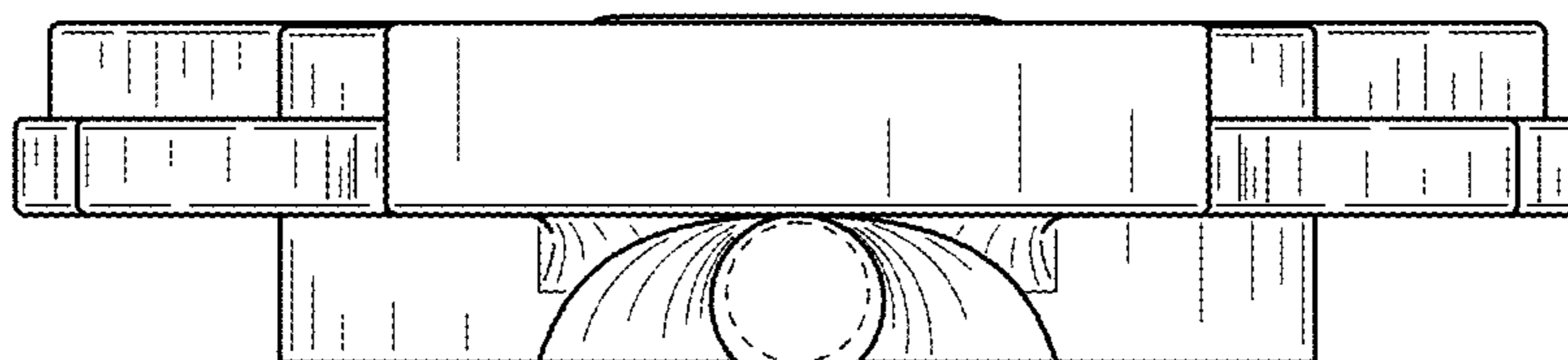


FIG. 7