



US00D886288S

(12) **United States Design Patent**  
**Haddad**

(10) **Patent No.:** **US D886,288 S**

(45) **Date of Patent:** **\*\* Jun. 2, 2020**

(54) **INTRAVENOUS TUBING INDICATOR FOR A PORT LINE COVER**

(71) Applicant: **Star Luminal LLC**, San Antonio, TX (US)

(72) Inventor: **Eric A. Haddad**, Boerne, TX (US)

(73) Assignee: **STAR LUMINAL LLC**, San Antonio, TX (US)

(\*\*) Term: **15 Years**

(21) Appl. No.: **29/670,984**

(22) Filed: **Nov. 21, 2018**

(51) **LOC (12) Cl.** ..... **24-01**

(52) **U.S. Cl.**  
USPC ..... **D24/127; D20/28**

(58) **Field of Classification Search**  
USPC ..... D24/127-131, 112-114, 133, 186; 606/181, 185; 604/264, 523-528, 272, 604/187, 158, 164.01-164.11, 181, 184, 604/227; 600/101, 139, 143; 128/200.24, 207.14, 207.15; D8/396, D8/356; D6/300, 674; D12/193; D14/489, 490, 492, 495; D20/1-44, 99  
CPC ..... A61M 25/00; A61M 39/00; A61M 27/00; A61M 25/0043; A61M 5/0067; A61M 25/0097; A61M 5/14; A61M 5/1411; A61M 2205/60; A61M 2205/6063; A61M 2205/6072; A61M 2205/6081; A61F 2/958; A62C 13/78; A47K 10/14; A47G 25/0657

See application file for complete search history.

(56) **References Cited**

**U.S. PATENT DOCUMENTS**

D424,544 S \* 5/2000 Moody ..... D14/492  
D430,220 S \* 8/2000 Fu ..... D20/42

D438,134 S \* 2/2001 Sloven ..... D10/109.1  
6,613,012 B2 9/2003 Kraushaar  
D556,606 S \* 12/2007 Stauffer ..... D10/15  
7,338,476 B2 3/2008 Kraushaar  
7,374,318 B2 5/2008 Brooks et al.  
7,455,662 B2 11/2008 Kraushaar  
D636,819 S \* 4/2011 Walker ..... D20/28  
D652,874 S \* 1/2012 Trigg ..... D20/22  
D660,367 S \* 5/2012 Podd ..... D20/42  
D665,030 S \* 8/2012 Podd ..... D20/42  
D775,691 S \* 1/2017 Scarborough ..... D20/23  
D791,242 S \* 7/2017 Lemberger ..... D20/41  
D791,878 S \* 7/2017 Loew ..... D20/41  
D803,943 S \* 11/2017 Loew ..... D20/41  
9,833,560 B2 12/2017 Reichert et al.  
9,919,095 B2 3/2018 Reichert et al.  
9,925,329 B2 3/2018 Reichert et al.

(Continued)

*Primary Examiner* — Nathan M Johnston

(74) *Attorney, Agent, or Firm* — Joseph Agostino; Greenberg Traurig, LLP

(57) **CLAIM**

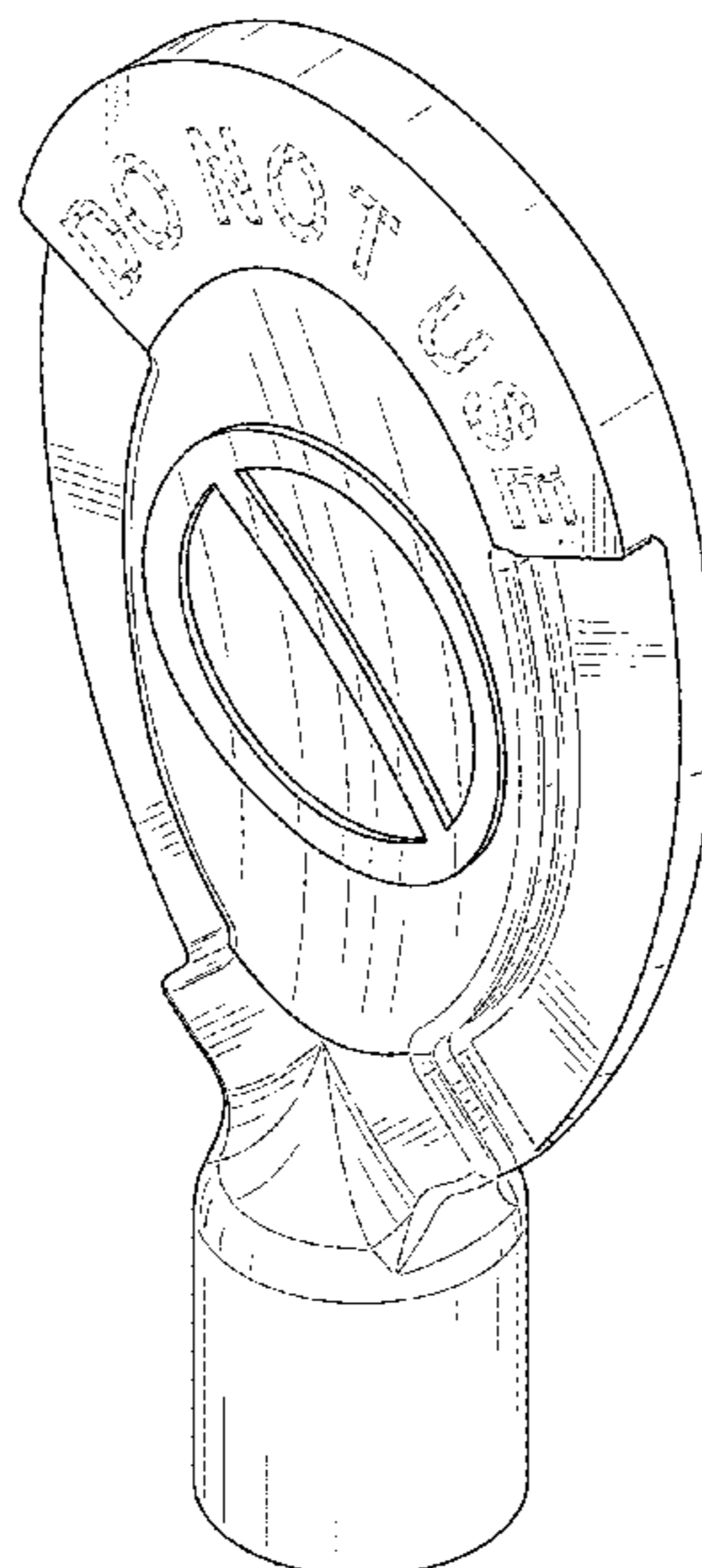
The ornamental design for an intravenous tubing indicator for a port line cover, as shown and described.

**DESCRIPTION**

FIG. 1 is a top perspective view of an intravenous tubing indicator for a port line cover showing our new design; FIG. 2 is a front elevation view thereof; FIG. 3 is a rear elevation view thereof; FIG. 4 is a right side elevation view thereof; FIG. 5 is a left side elevation view thereof; FIG. 6 is top plan view thereof; and, FIG. 7 is a bottom plan view thereof.

The dashed lines immediately adjacent the shaded areas in the figures represent the boundaries of the claimed design. The dashed lines in the figures illustrate the portions of the design that form no part of the claimed design. None of the broken lines form any part of the claimed design.

**1 Claim, 5 Drawing Sheets**



(56)

**References Cited**

U.S. PATENT DOCUMENTS

D842,382 S \* 3/2019 Loew ..... D20/41  
2002/0058928 A1 5/2002 Antonio, II  
2005/0171492 A1 8/2005 Rodriquez

\* cited by examiner

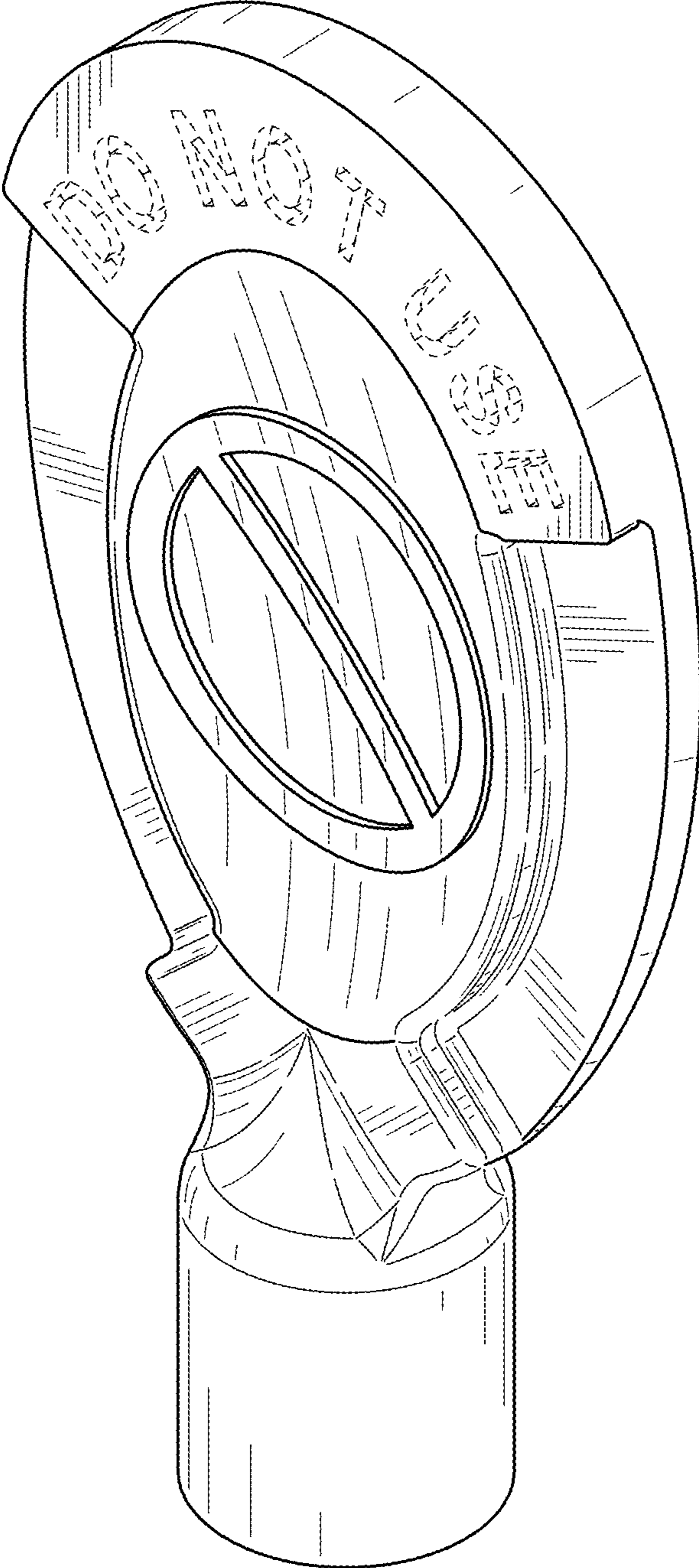


FIG. 1

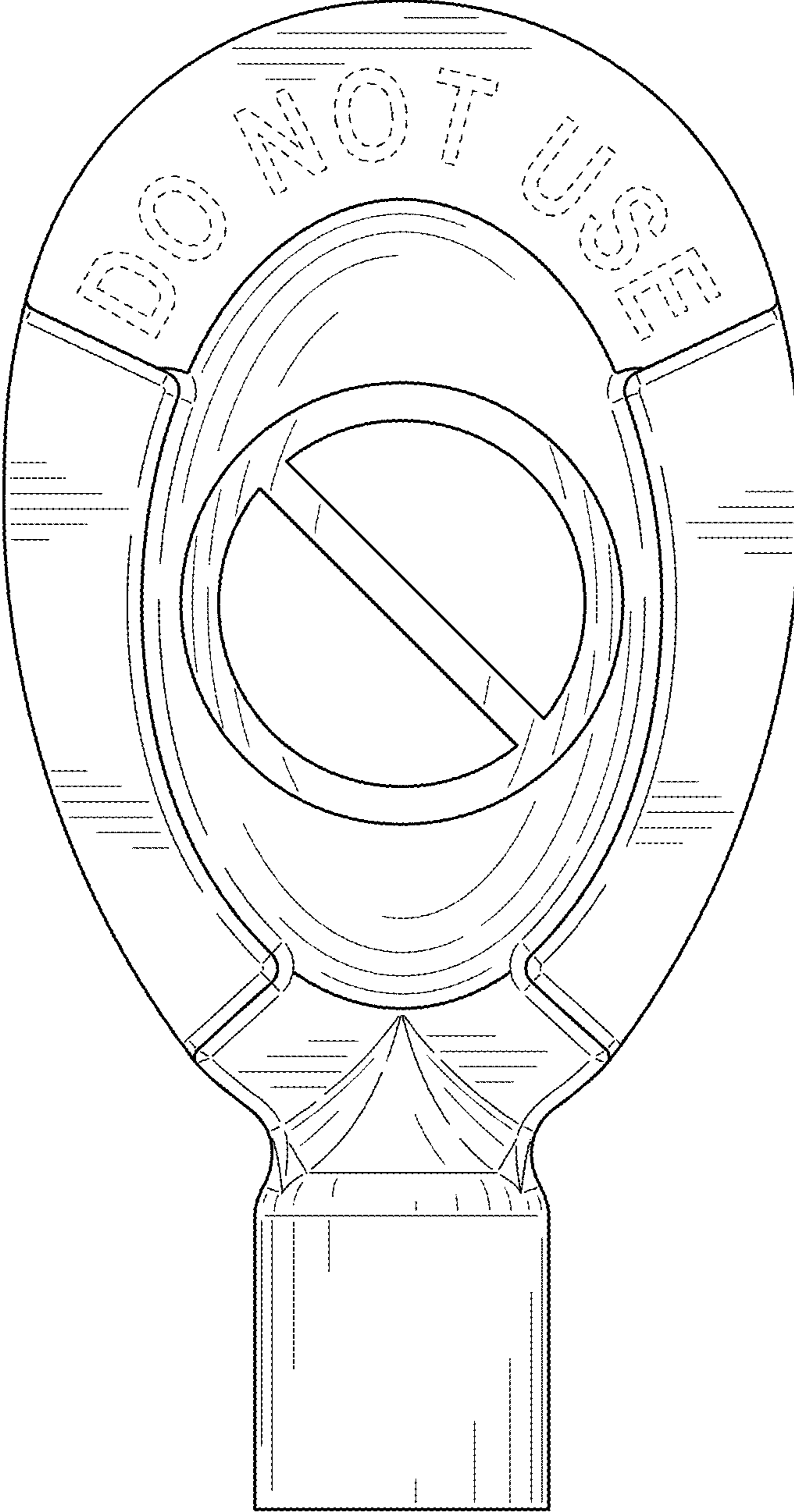


FIG. 2

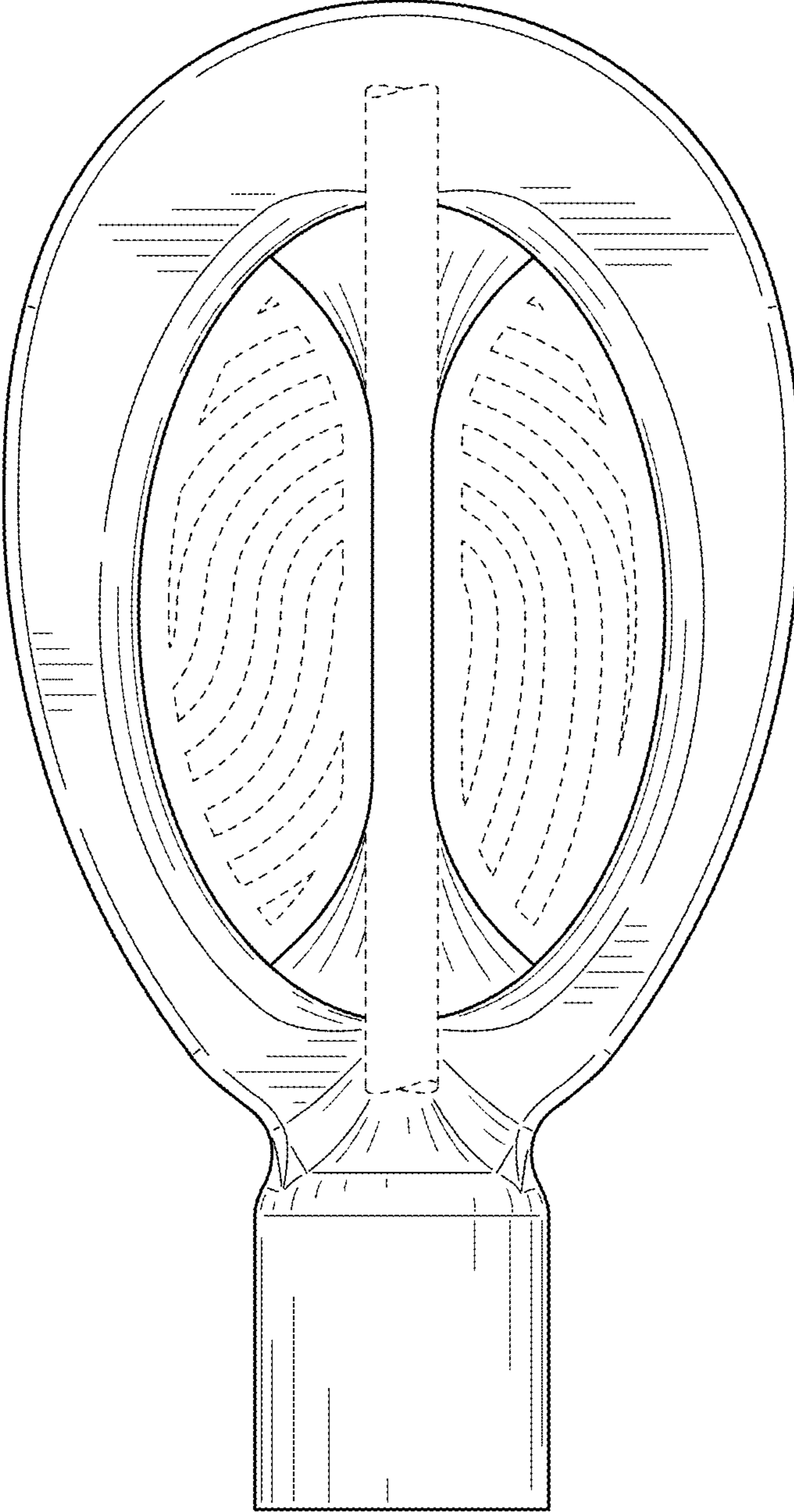


FIG. 3

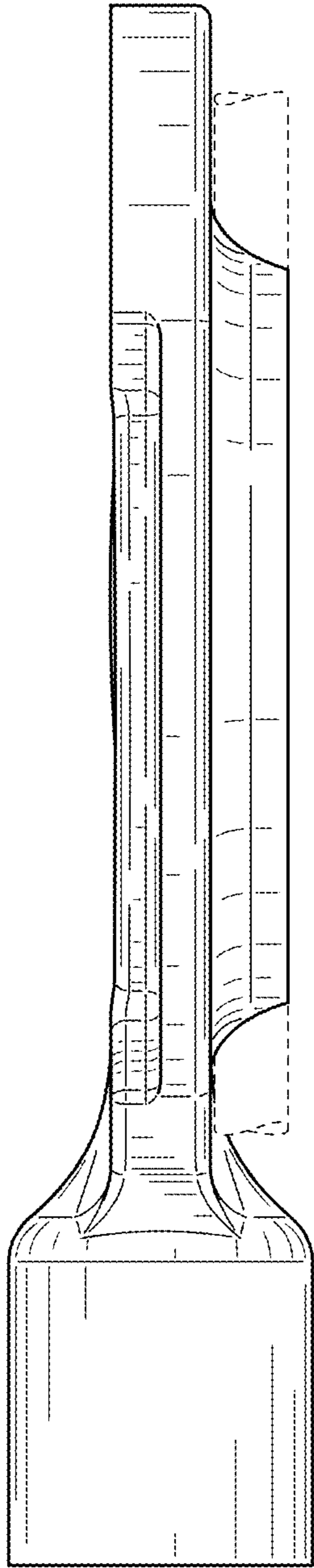


FIG. 4

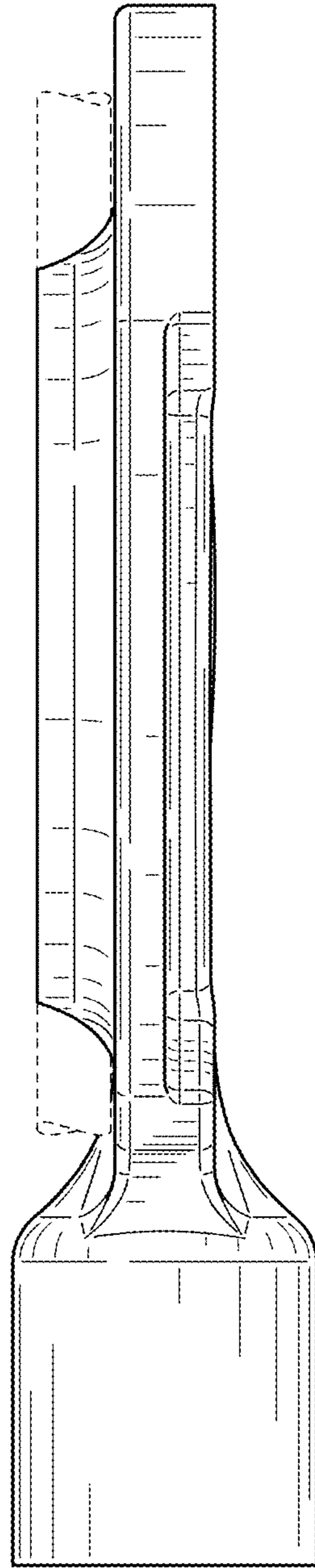


FIG. 5

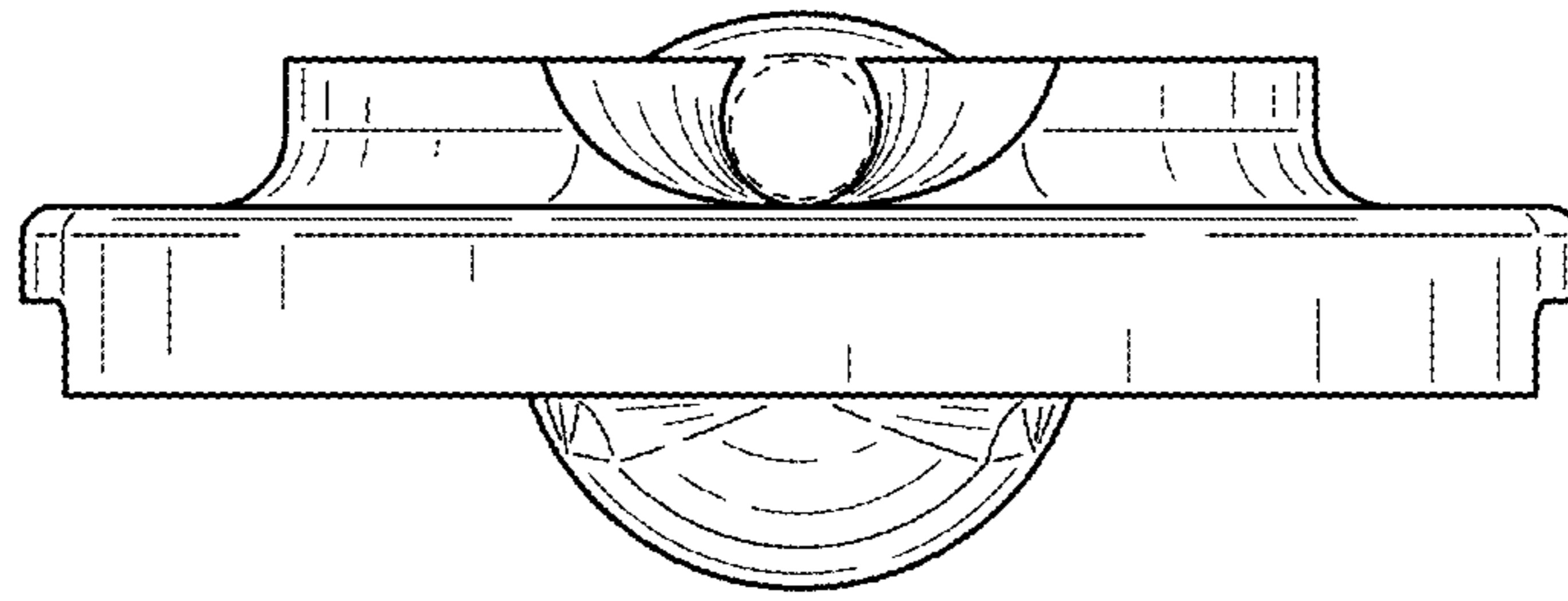


FIG. 6

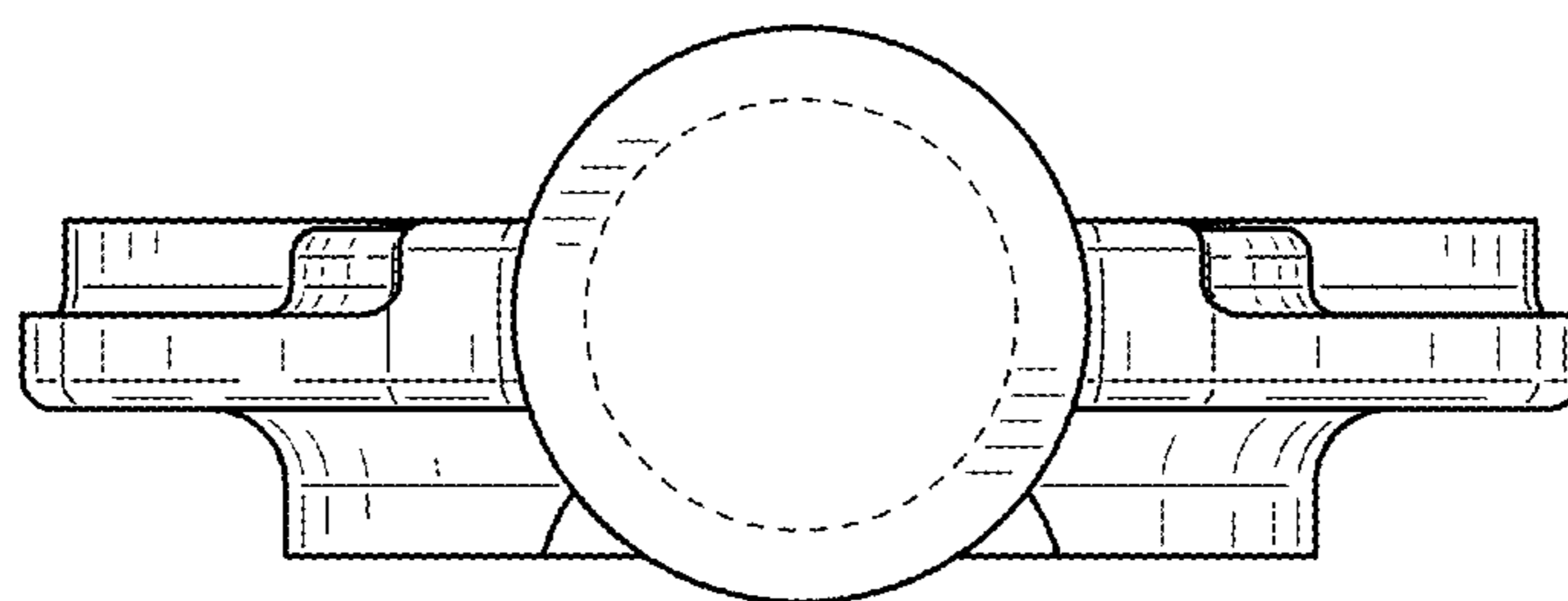


FIG. 7