



US00D886281S

(12) **United States Design Patent** (10) **Patent No.:** **US D886,281 S**
Boyaval et al. (45) **Date of Patent:** **** Jun. 2, 2020**

(54) **AUTOINJECTOR**

- (71) Applicant: **AMGEN INC.**, Thousand Oaks, CA (US)
- (72) Inventors: **Margaux Frances Boyaval**, Newbury Park, CA (US); **Sigrid Moeslinger**, New York, NY (US); **Masamichi Udagawa**, New York, NY (US)
- (73) Assignee: **AMGEN INC.**, Thousand Oaks, CA (US)
- (**) Term: **15 Years**
- (21) Appl. No.: **29/661,300**
- (22) Filed: **Aug. 27, 2018**

Related U.S. Application Data

- (62) Division of application No. 29/563,102, filed on May 2, 2016, now Pat. No. Des. 830,539.
- (51) **LOC (12) Cl.** **24-02**
- (52) **U.S. Cl.**
USPC **D24/113**
- (58) **Field of Classification Search**
USPC D24/112-114, 133, 186, 127-131;
606/181, 185; 604/264, 272, 115, 232,
(Continued)

References Cited

U.S. PATENT DOCUMENTS

- 758,567 A 4/1904 Wohlfahrt et al.
 - D321,472 S 11/1991 Evans et al.
- (Continued)

FOREIGN PATENT DOCUMENTS

- CN 302858428 6/2014
 - CN 304223460 7/2017
- (Continued)

OTHER PUBLICATIONS

Industrial Design DM/092744, Millennium Pharmaceuticals, Inc.,
Registration date Sep. 6, 2016.
(Continued)

Primary Examiner — Nathan M Johnston
(74) *Attorney, Agent, or Firm* — Marshall, Gerstein &
Borun LLP

(57) **CLAIM**

The ornamental design for an autoinjector, as shown and described.

DESCRIPTION

FIG. 1 is a perspective view showing a new design for an autoinjector with needle guard and removable cap, showing the removable cap removed;

FIG. 2 is a front view of the autoinjector of FIG. 1;

FIG. 3 is a rear view of the autoinjector of FIG. 1;

FIG. 4 is a left-side end view of the autoinjector of FIG. 1;

FIG. 5 is a left-side end view of the autoinjector of FIG. 1 with the removable cap removed to illustrate an end view of the needle guard;

FIG. 6 is a right-side end view of the autoinjector of FIG. 1;

FIG. 7 is a top view of the autoinjector of FIG. 1; and

FIG. 8 is a bottom view of the autoinjector of FIG. 1;

FIG. 9 is a perspective view showing an alternative new design for an autoinjector with needle guard and removable cap, showing the removable cap removed;

FIG. 10 is a front view of the autoinjector of FIG. 9;

FIG. 11 is a rear view of the autoinjector of FIG. 9;

FIG. 12 is a left-side end view of the autoinjector of FIG. 9;

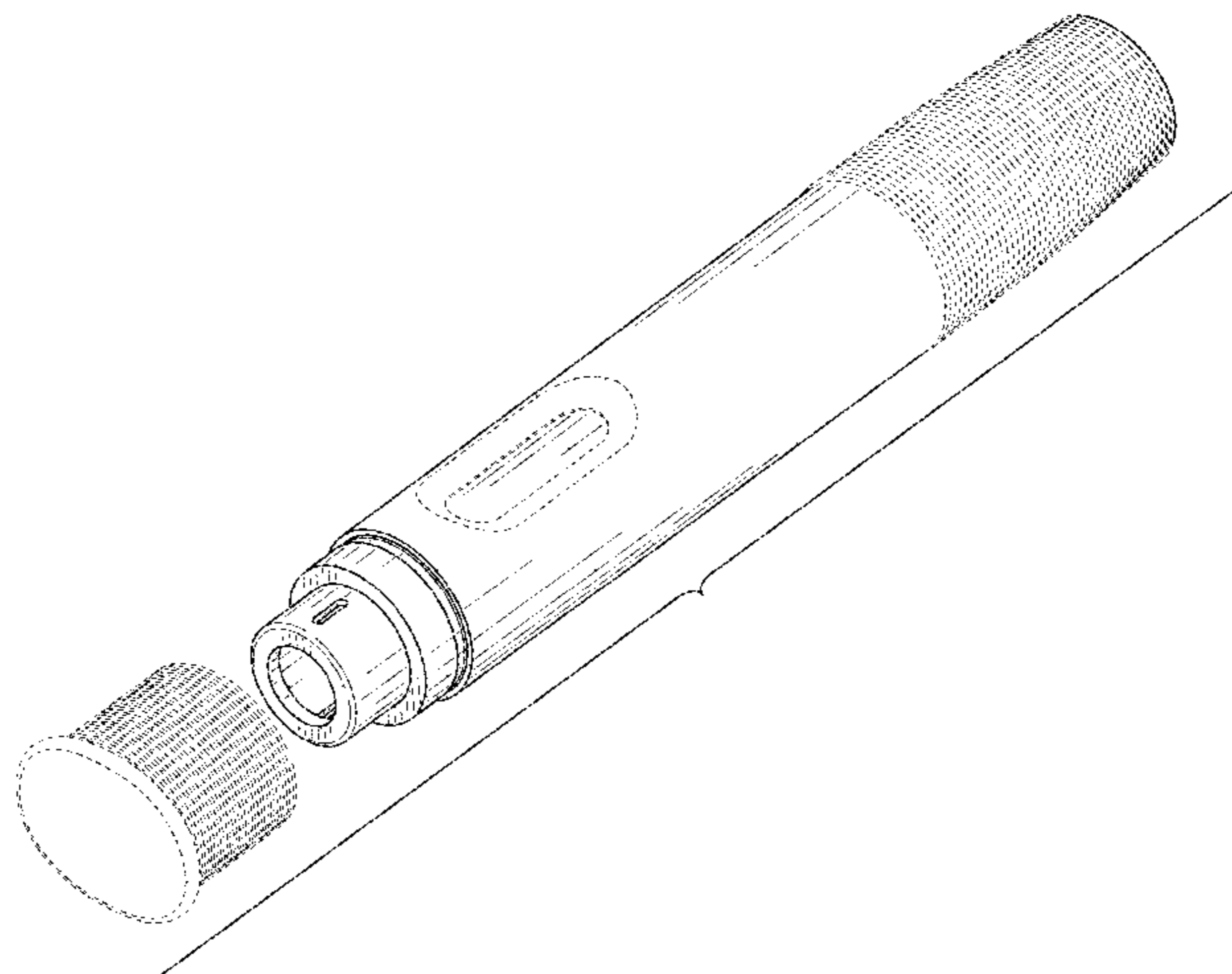
FIG. 13 is a left-side end view of the autoinjector of FIG. 9 with the removable cap removed to illustrate an end view of the needle guard;

FIG. 14 is a right-side end view of the autoinjector of FIG. 9;

FIG. 15 is a top view of the autoinjector of FIG. 9; and

FIG. 16 is a bottom view of the autoinjector of FIG. 9.

(Continued)



The broken lines show portions of the design that form no part of the claimed design.

1 Claim, 6 Drawing Sheets

(58) **Field of Classification Search**

USPC .. 604/187, 158, 164.08, 192, 263, 163, 181, 604/184, 198, 227; 600/101, 139, 143; 128/200.24, 207.14, 207.15; D19/115-123, 177, 193
CPC A61M 5/3156; A61M 5/31591; A61M 5/3155; A61M 5/3157; A61M 5/24; A61M 5/31501; A61M 5/31551; A61M 5/31585; A61M 2005/2407; A61M 2005/2492; A61M 2205/581; A61M 2205/582

See application file for complete search history.

(56) **References Cited**

U.S. PATENT DOCUMENTS

D443,641 S	6/2001	Mader	
D497,806 S	11/2004	Nichols et al.	
D545,895 S	7/2007	Okutani	
D612,486 S	3/2010	Van der Stappen	
D619,244 S	7/2010	Van der Stappen	
D622,374 S	8/2010	Julian et al.	
D626,994 S	11/2010	Gerules	
D627,061 S	11/2010	Van der Stappen	
D628,690 S	12/2010	Galbraith	
D629,509 S	12/2010	Julian et al.	
D640,786 S	6/2011	Sato et al.	
D660,958 S *	5/2012	McLoughlin	D24/113
8,298,194 B2 *	10/2012	Moller	A61M 5/24 604/181
D696,397 S	12/2013	Guarraia et al.	
D696,773 S	12/2013	Schneider et al.	
D696,774 S	12/2013	Guarraia et al.	
D696,775 S	12/2013	Guarraia et al.	
8,608,709 B2 *	12/2013	Moller	A61M 5/24 604/110
D697,205 S	1/2014	Schneider et al.	
D708,317 S	7/2014	Schneider et al.	
D714,932 S	10/2014	Hall et al.	
D715,422 S	10/2014	Hall et al.	
D717,428 S	11/2014	Sendatzki et al.	
D721,802 S	1/2015	Ohashi	
D722,158 S	2/2015	Magome et al.	
D728,782 S	5/2015	Dubuc et al.	
D732,161 S	6/2015	Ohashi	
D739,011 S	9/2015	Morrison, Jr. et al.	
D757,255 S	5/2016	Wohlfahrt et al.	
D758,566 S	6/2016	Chen	
D758,567 S	6/2016	Wohlfahrt et al.	
D758,569 S	6/2016	Wohlfahrt et al.	
D758,570 S	6/2016	Wohlfahrt et al.	
D758,571 S	6/2016	Geert-Jensen et al.	
D759,813 S	6/2016	Newman et al.	
D759,814 S	6/2016	Newman et al.	
D765,239 S *	8/2016	Hauck	D24/113

D765,240 S	8/2016	Hauck et al.	
D766,425 S	9/2016	Hauck et al.	
D767,119 S	9/2016	Hauck et al.	
D770,610 S	11/2016	Saussaye et al.	
D773,648 S	12/2016	Wohlfahrt et al.	
D774,641 S	12/2016	Miggels et al.	
D775,279 S	12/2016	Shen	
D780,909 S	3/2017	Burkett et al.	
D783,816 S	4/2017	Wohlfahrt et al.	
D793,547 S	8/2017	Burkett et al.	
D794,178 S	8/2017	Daniel et al.	
D794,777 S	8/2017	Daniel et al.	
D794,778 S *	8/2017	Daniel	D24/113
D799,026 S	10/2017	Jones et al.	
D802,748 S	11/2017	Mills et al.	
D814,022 S	3/2018	Boyaval et al.	
D819,198 S	5/2018	Boyaval et al.	
D819,200 S	5/2018	Stonecipher et al.	
D822,198 S	7/2018	Stonecipher et al.	
D827,128 S	8/2018	Boyaval et al.	
D830,539 S	10/2018	Boyaval et al.	
D851,754 S	6/2019	Boyaval et al.	
D857,192 S *	8/2019	Burkett	D24/112
D866,757 S *	11/2019	Diluzio	D24/133
D868,961 S *	12/2019	Stewart	D24/112
2004/0068283 A1	4/2004	Fukuzawa et al.	
2008/0269682 A1	10/2008	Kavazov et al.	
2008/0269692 A1	10/2008	James et al.	
2013/0060231 A1	3/2013	Adlon et al.	
2013/0211330 A1	8/2013	Pedersen et al.	
2014/0207073 A1	7/2014	Shang et al.	
2014/0221916 A1	8/2014	Kramer et al.	
2014/0221936 A1	8/2014	Edhouse et al.	
2014/0330216 A1	11/2014	Weaver et al.	
2014/0343507 A1	11/2014	Karlsson et al.	
2014/0364812 A1	12/2014	Lumme et al.	
2014/0371684 A1	12/2014	Holmqvist	
2015/0190577 A1	7/2015	Shaanan et al.	
2015/0335829 A1	11/2015	Giambattista et al.	
2016/0151586 A1 *	6/2016	Kemp	A61M 5/3204 604/198
2016/0193413 A1 *	7/2016	Gabrielsson	A61M 5/2033 604/135
2016/0263325 A1	9/2016	Huthmacher et al.	
2016/0303327 A1	10/2016	Moren	
2017/0128668 A1	5/2017	Miller et al.	
2017/0182242 A1	6/2017	Galitz et al.	
2018/0043101 A1 *	2/2018	Weaver	A61M 5/31513
2019/0266921 A1 *	8/2019	Chang	G09B 23/285
2019/0298924 A1 *	10/2019	Gibson	A61M 5/2033

FOREIGN PATENT DOCUMENTS

RU	100256 U1	12/2010
RU	100299 U1	12/2010
TW	D179360	11/2016
TW	D179362	11/2016

OTHER PUBLICATIONS

Internet publication <https://www.youtube.com/watch?v=VbGb5lt9n80>, dated Sep. 30, 2014.

* cited by examiner

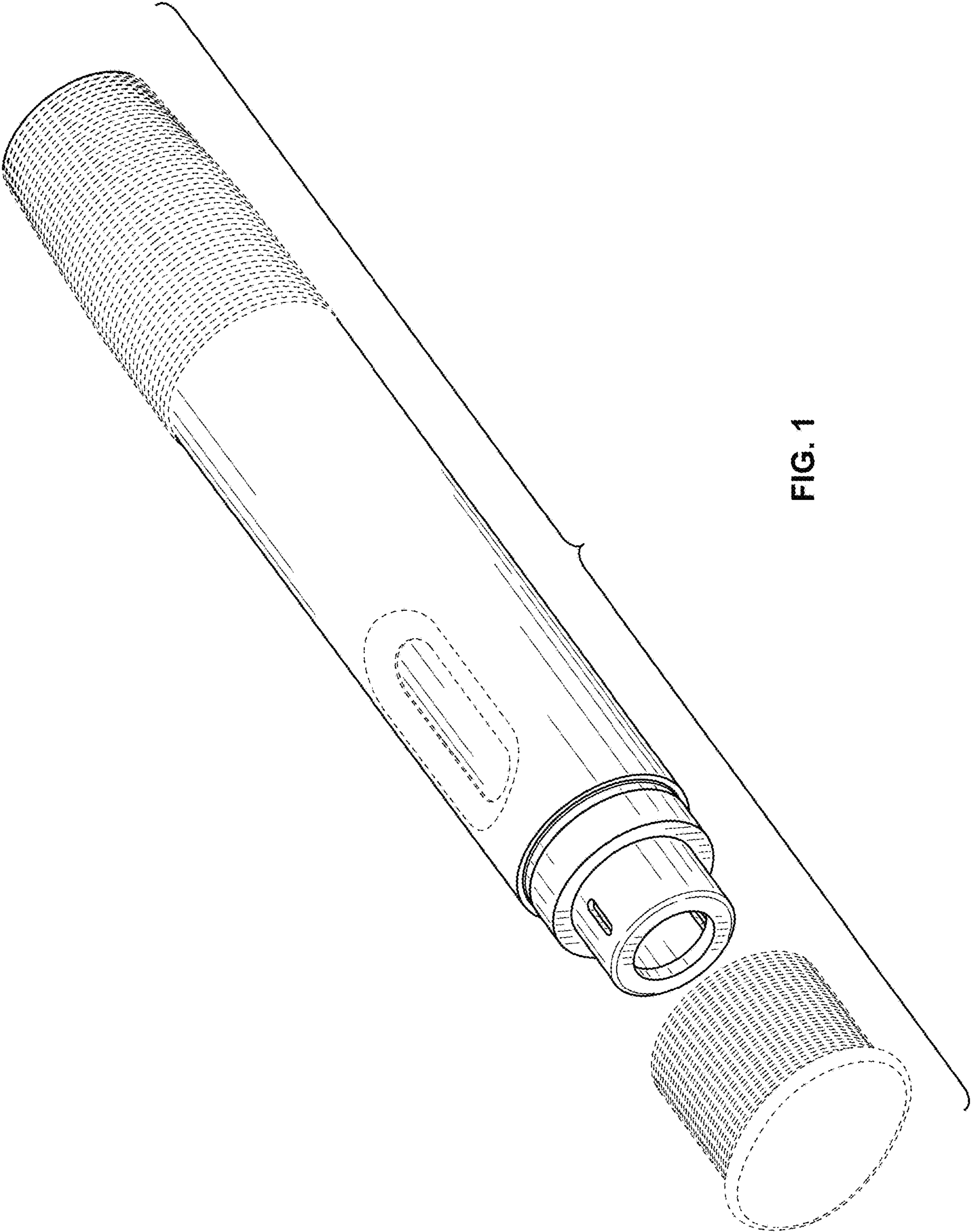


FIG. 1

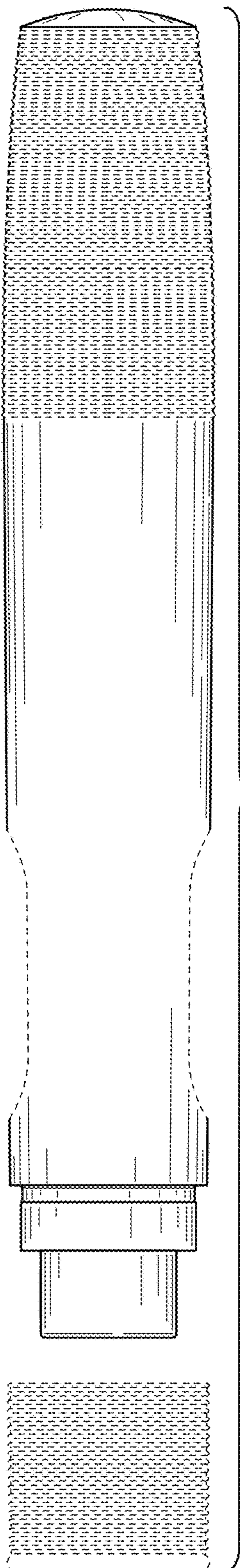


FIG. 2

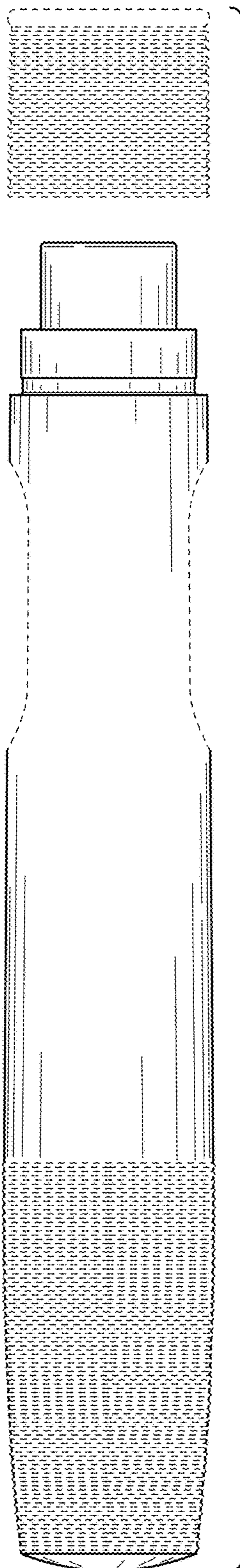


FIG. 3

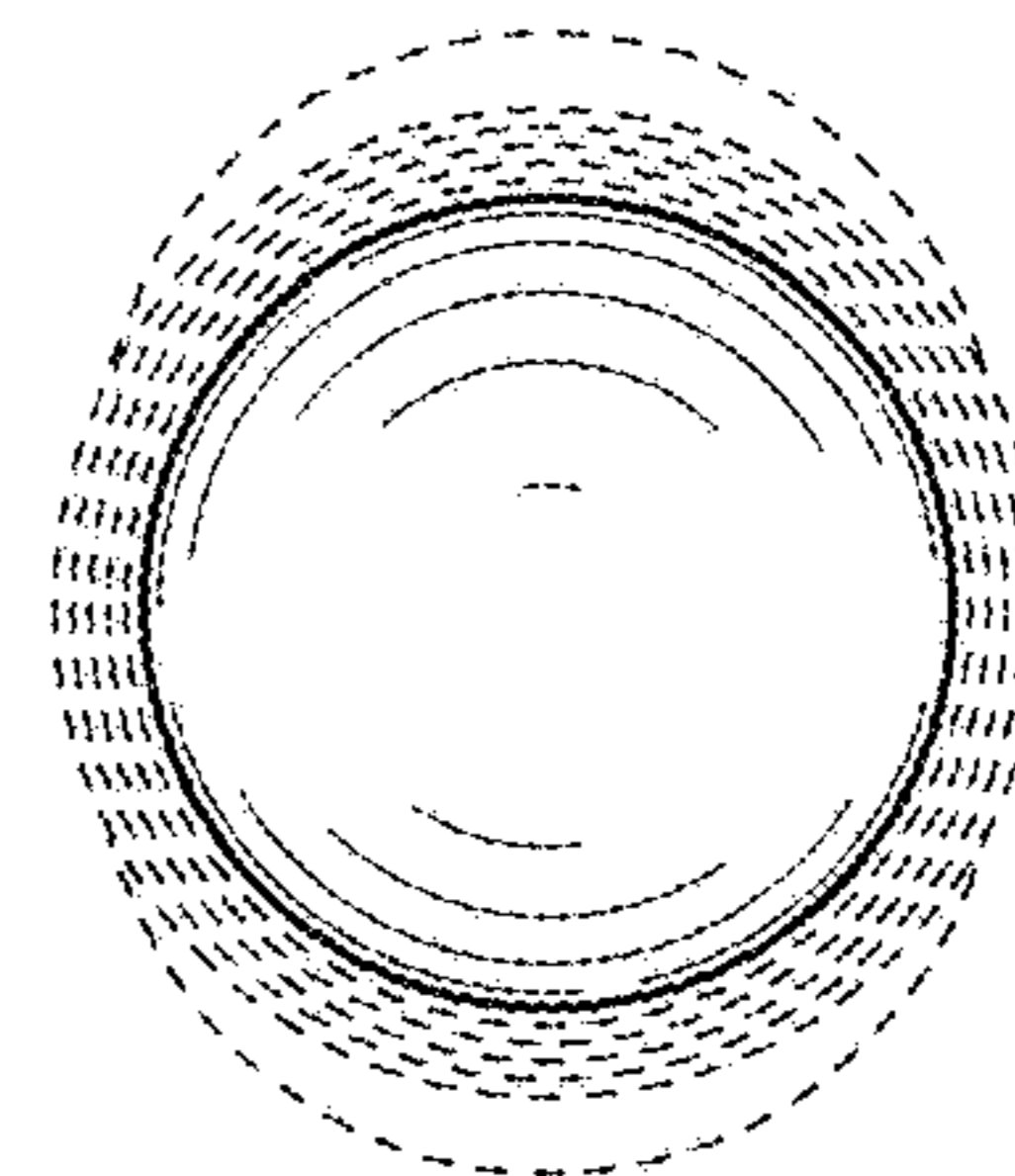


FIG. 6

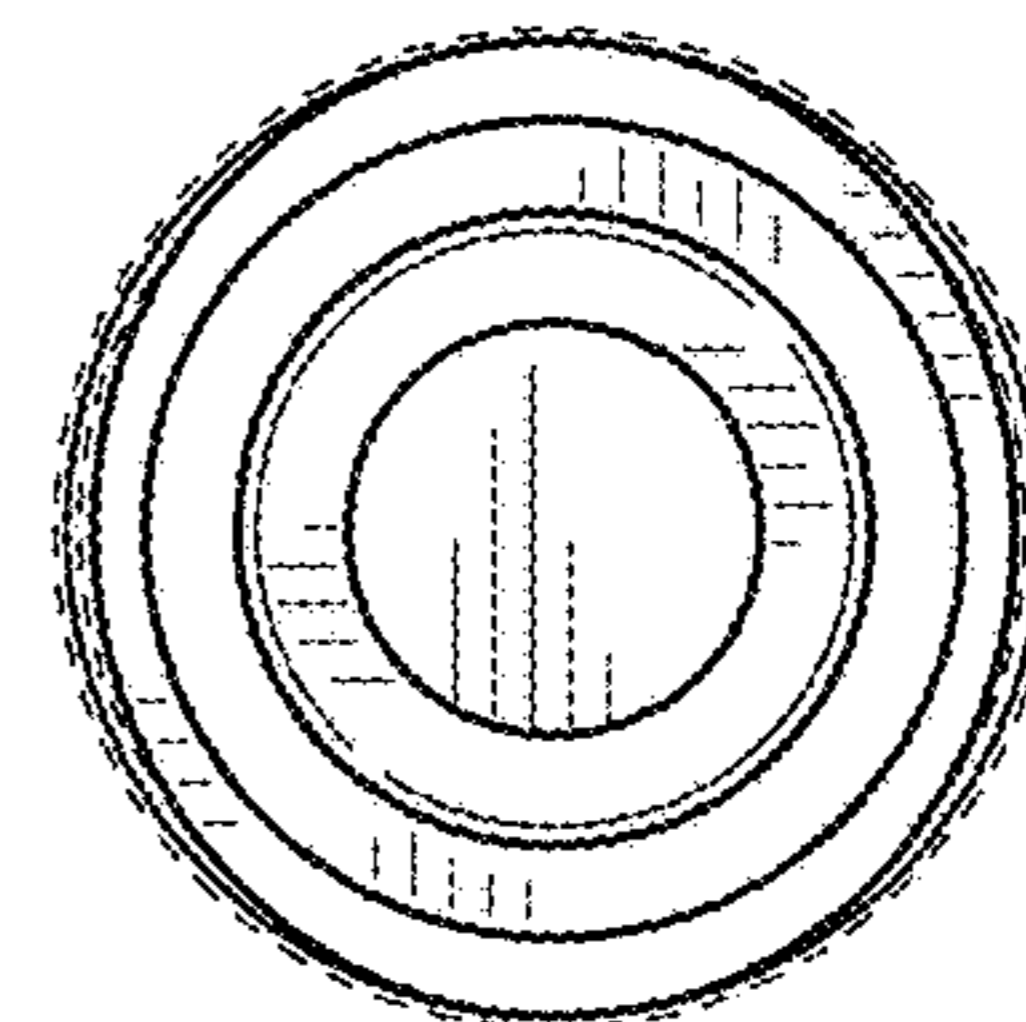


FIG. 5

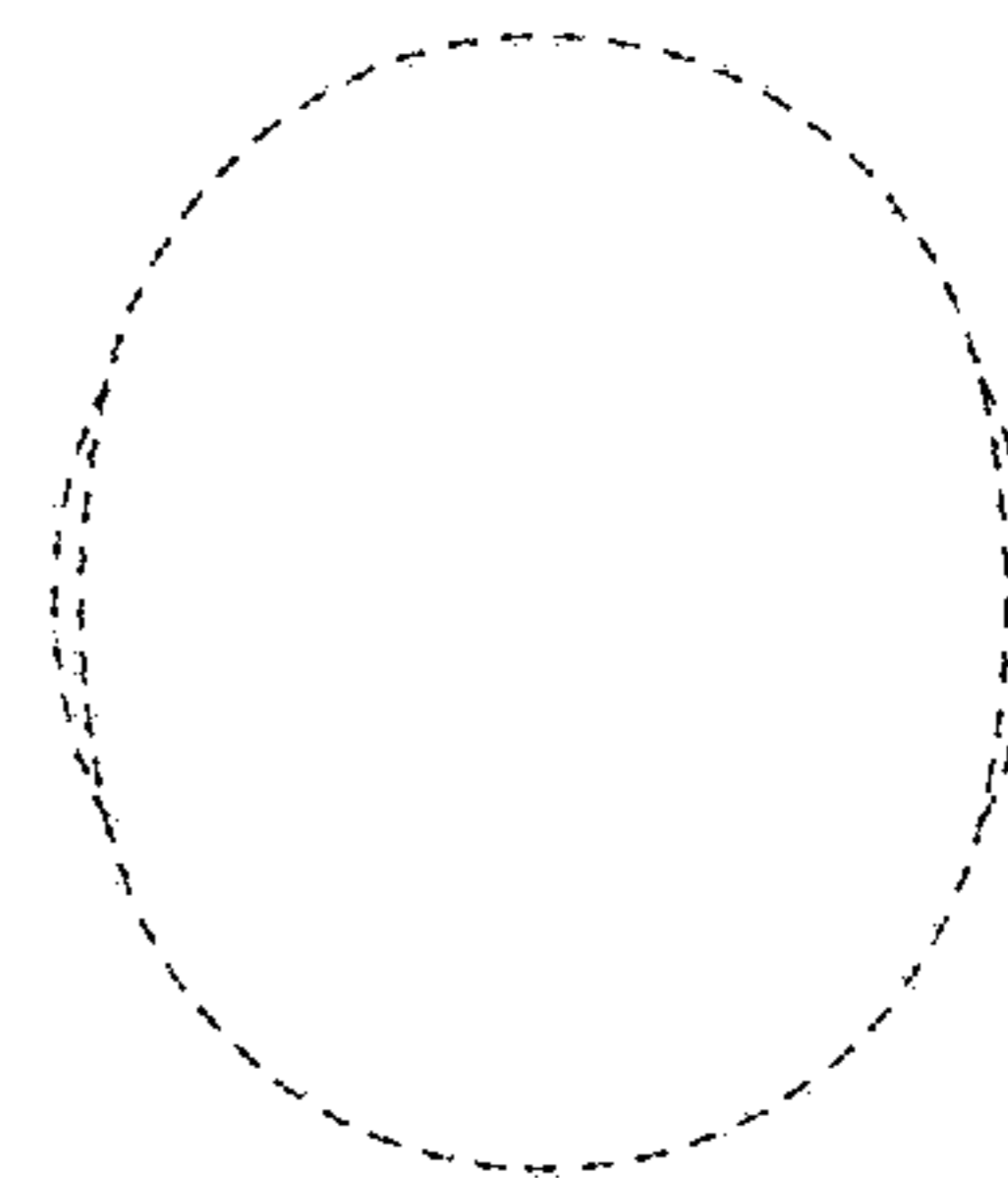


FIG. 4

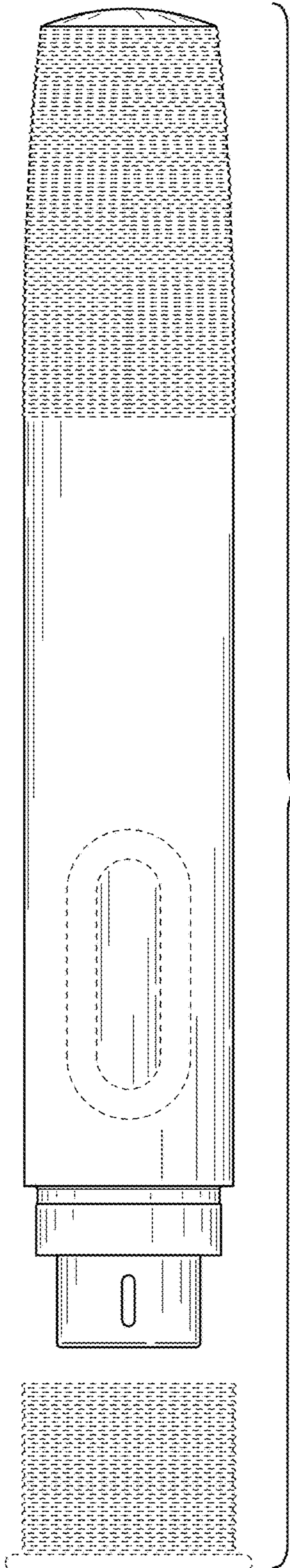


FIG. 7

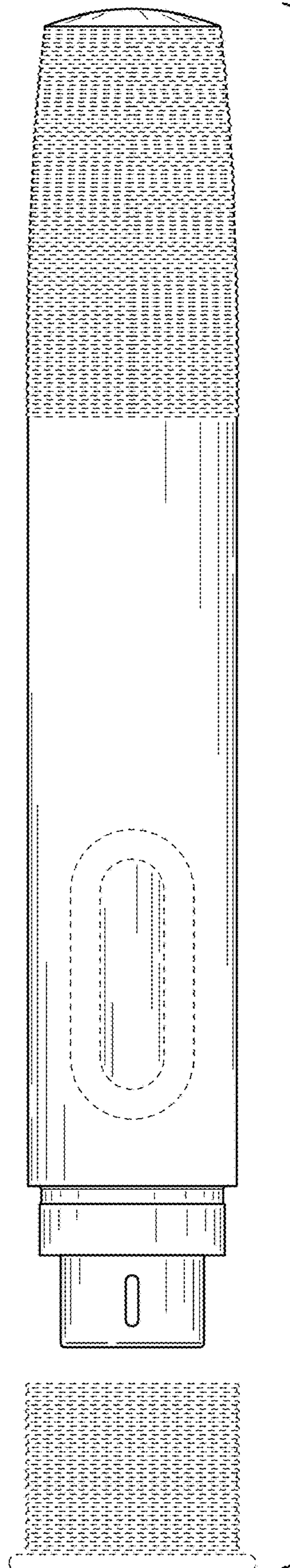


FIG. 8

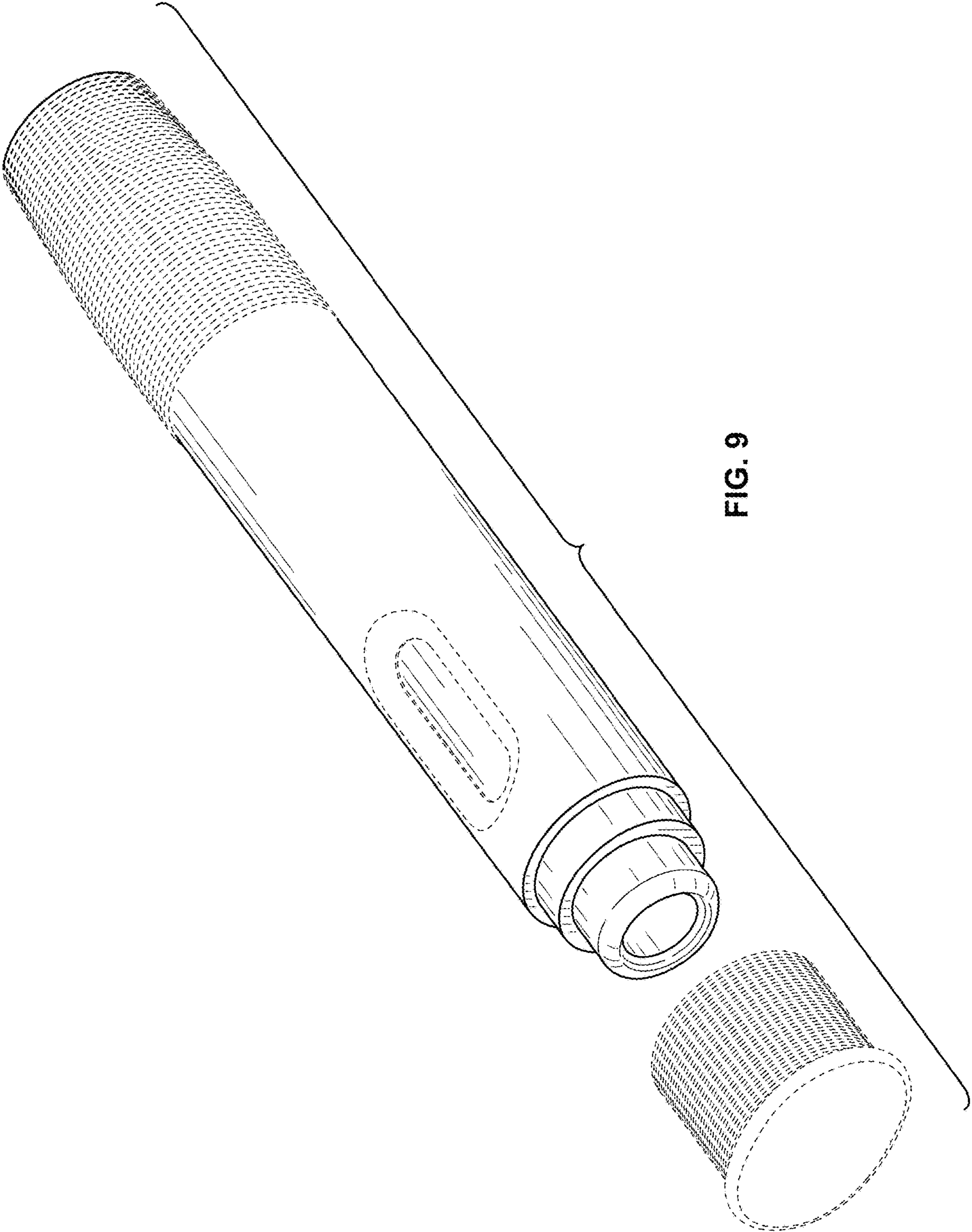


FIG. 9

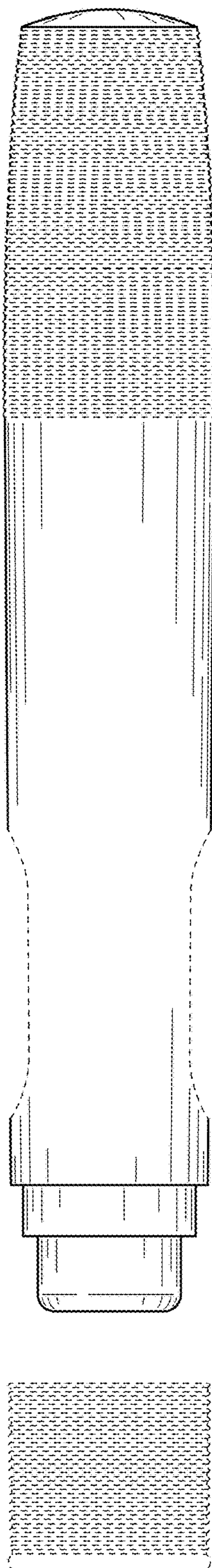


FIG. 10

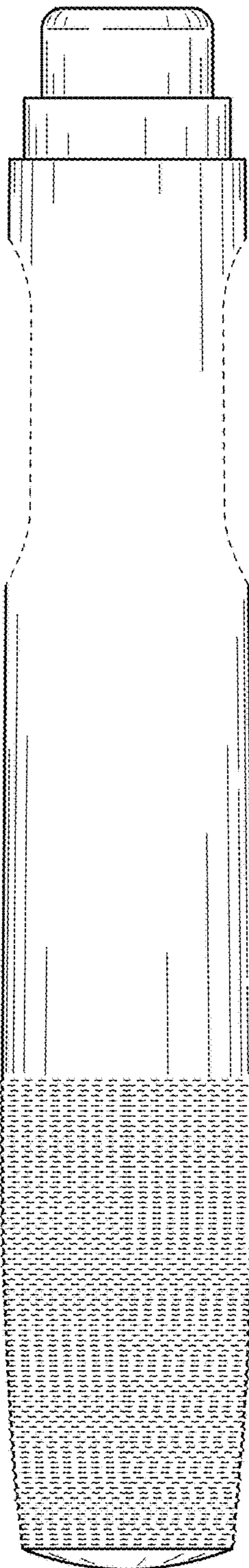
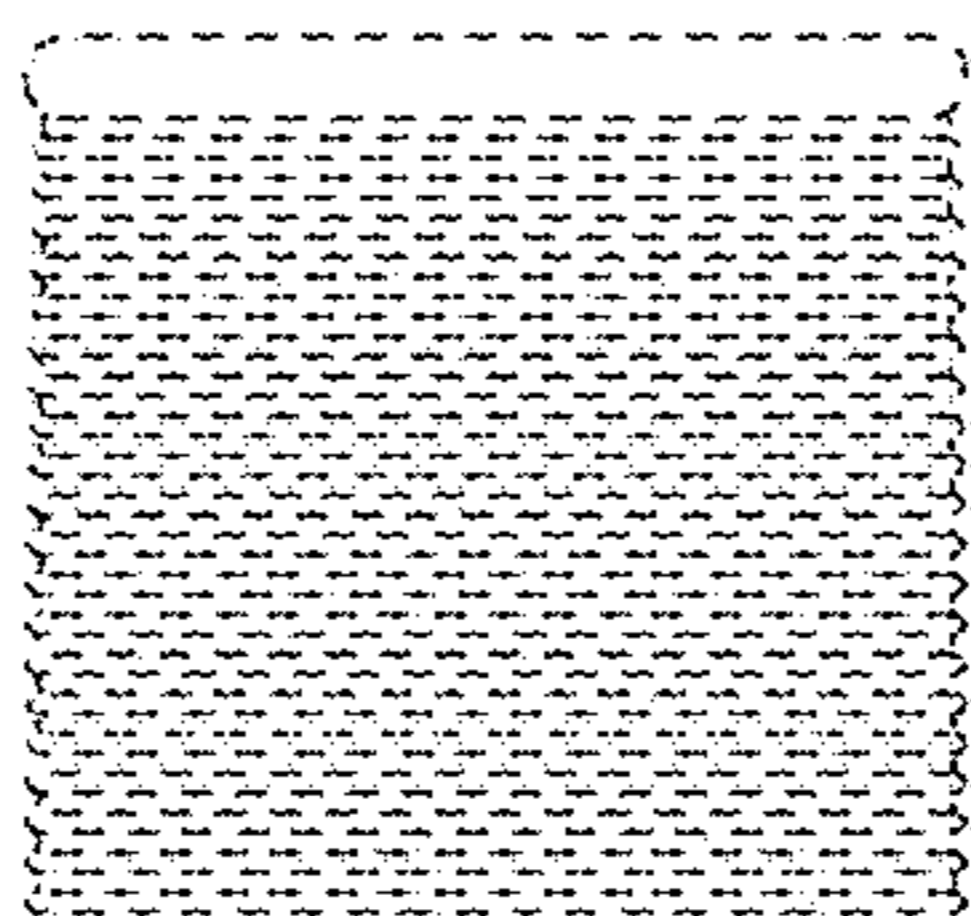


FIG. 11

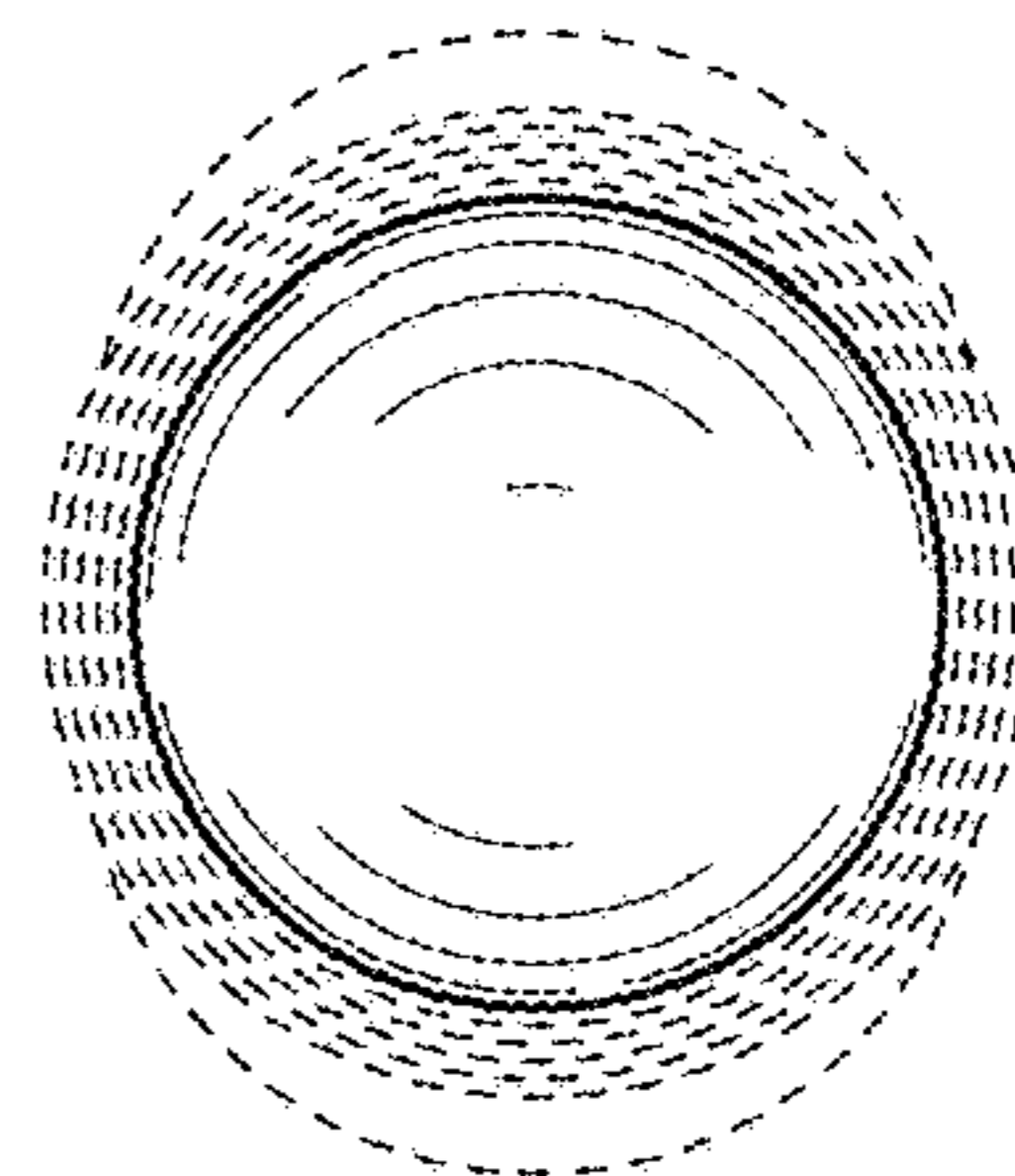


FIG. 14

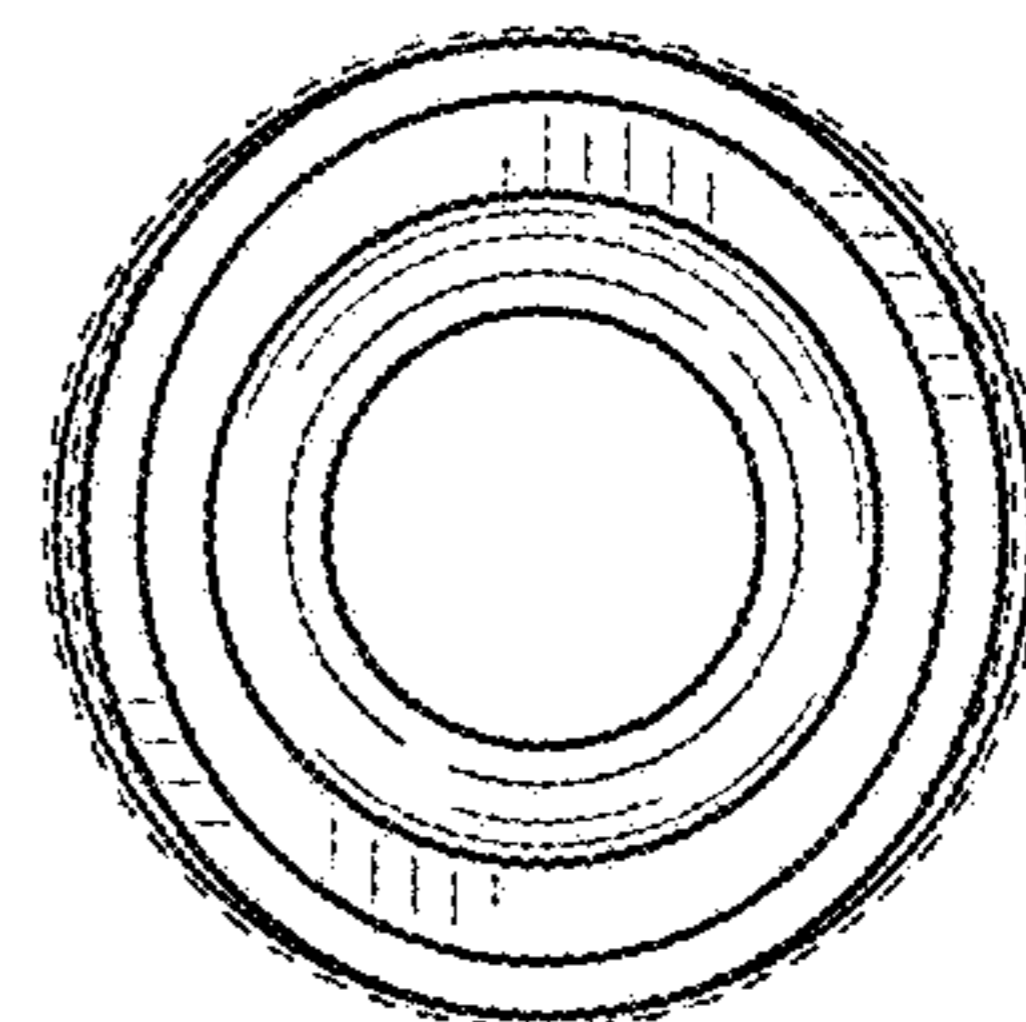


FIG. 13

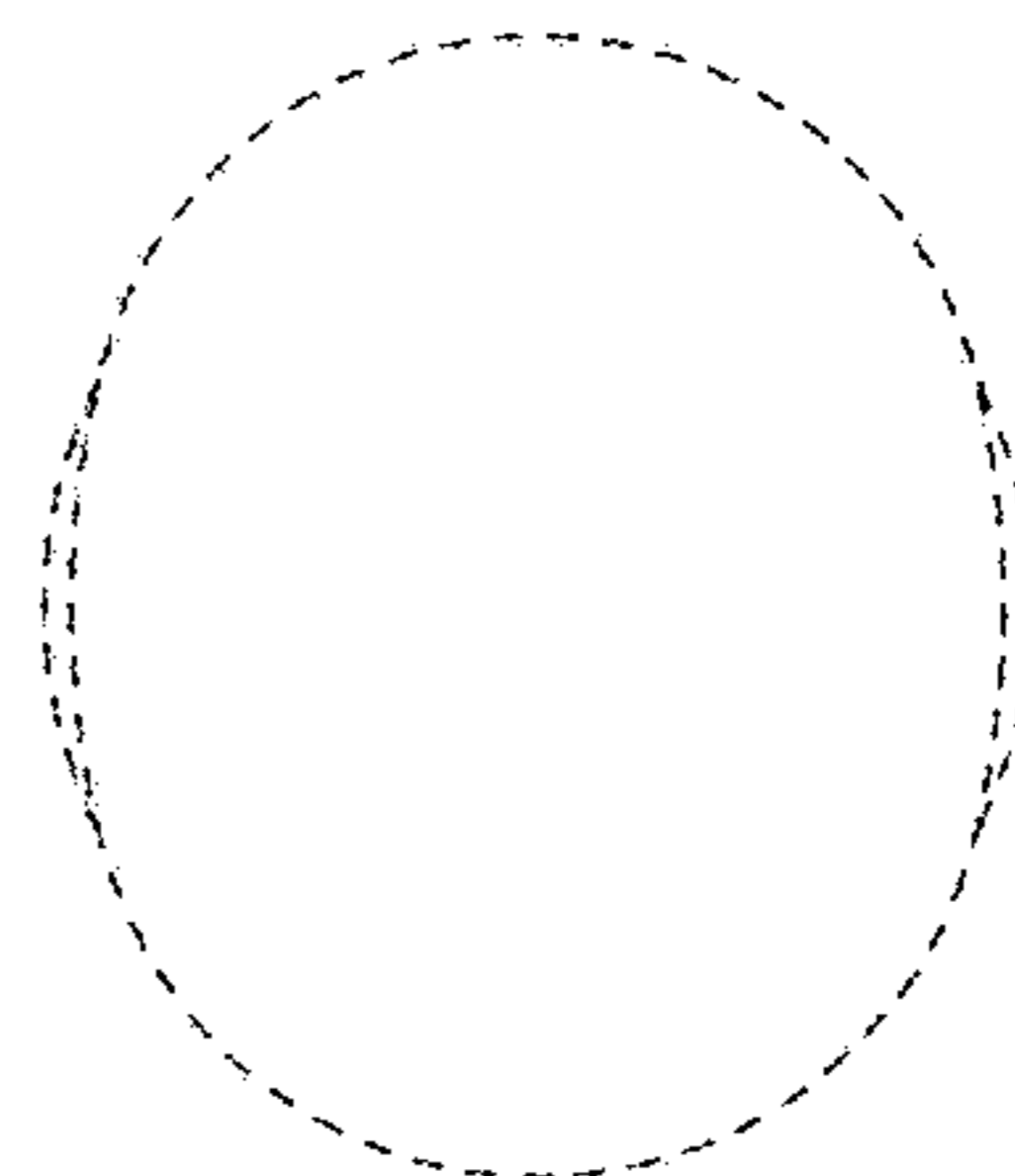


FIG. 12

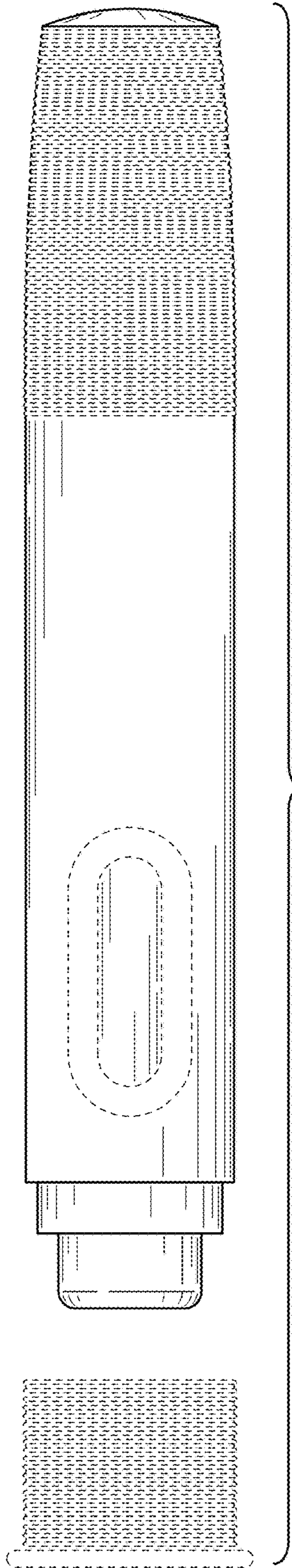


FIG. 15

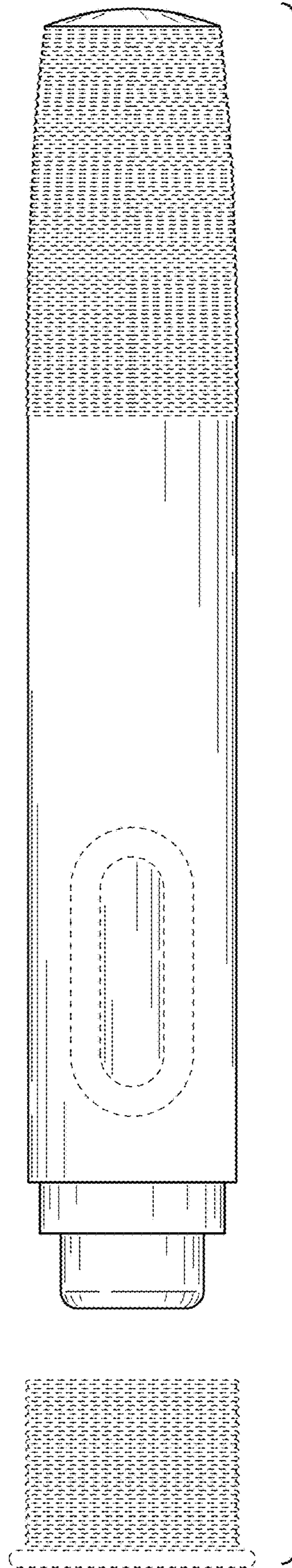


FIG. 16