



US00D886279S

(12) **United States Design Patent**
Wang

(10) **Patent No.:** **US D886,279 S**

(45) **Date of Patent:** **** Jun. 2, 2020**

(54) **INJECTION INSTRUMENT**

(71) Applicant: **Li Wang**, Guangdong (CN)

(72) Inventor: **Li Wang**, Guangdong (CN)

(**) Term: **15 Years**

(21) Appl. No.: **29/624,415**

(22) Filed: **Oct. 31, 2017**

(51) **LOC (12) Cl.** **24-02**

(52) **U.S. Cl.**
USPC **D24/112**

(58) **Field of Classification Search**
USPC D24/112-114, 108, 133, 130, 127, 186;
606/181, 185; 604/264, 272, 187, 181,
604/184, 227

CPC A61M 5/178; A61M 3/00; A61M 5/20;
A61M 5/31; A61M 5/3146; A61M
5/3129; A61M 5/3148; A61M 5/315
See application file for complete search history.

(56) **References Cited**

U.S. PATENT DOCUMENTS

D383,839 S * 9/1997 Sullivan D24/112
7,959,612 B2 * 6/2011 Thompson A61M 5/19
604/191

D674,085 S * 1/2013 Fujioka D24/113
D759,237 S * 6/2016 Heath D24/133
D760,382 S * 6/2016 Eisele D24/113
D763,442 S * 8/2016 Price D24/133
D768,848 S * 10/2016 Cooper D24/113
D771,243 S * 11/2016 DiMino D24/113
D777,326 S * 1/2017 Sainsbury D24/133
D778,439 S * 2/2017 Hakansson D24/133

* cited by examiner

Primary Examiner — David G Muller

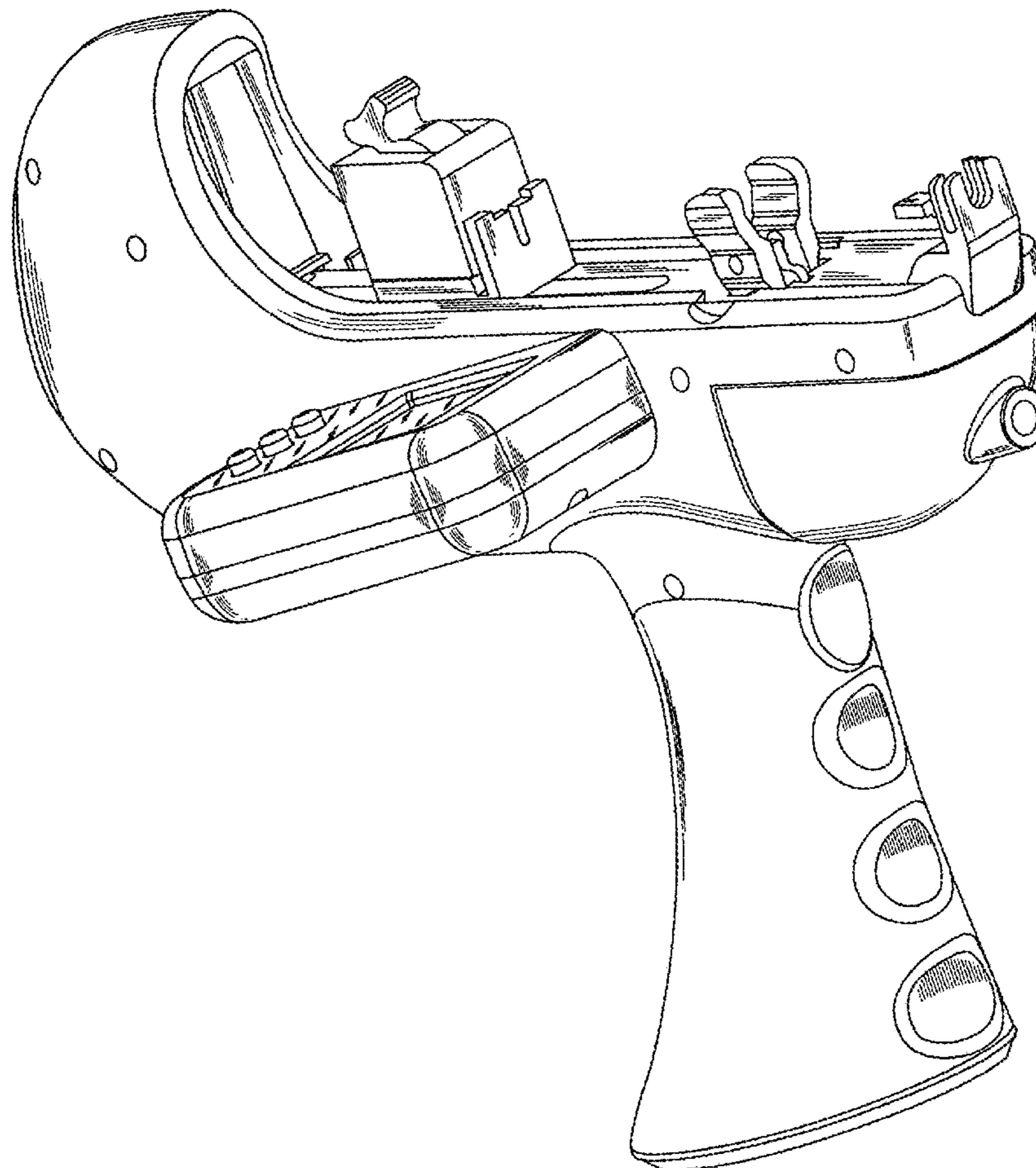
(57) **CLAIM**

I claim the ornamental design for an injection instrument, as shown and described.

DESCRIPTION

FIG. 1 is a perspective view of an injection instrument showing my new design;
FIG. 2 is a front elevational view thereof;
FIG. 3 is a rear elevational view thereof;
FIG. 4 is a left side elevational view thereof;
FIG. 5 is a right side elevational view thereof;
FIG. 6 is a top plan view thereof; and,
FIG. 7 is a bottom plan view thereof.
The broken line showing of parts of the drawings is included for the purpose of illustrating use and environment and forms no part of the claimed design.

1 Claim, 7 Drawing Sheets



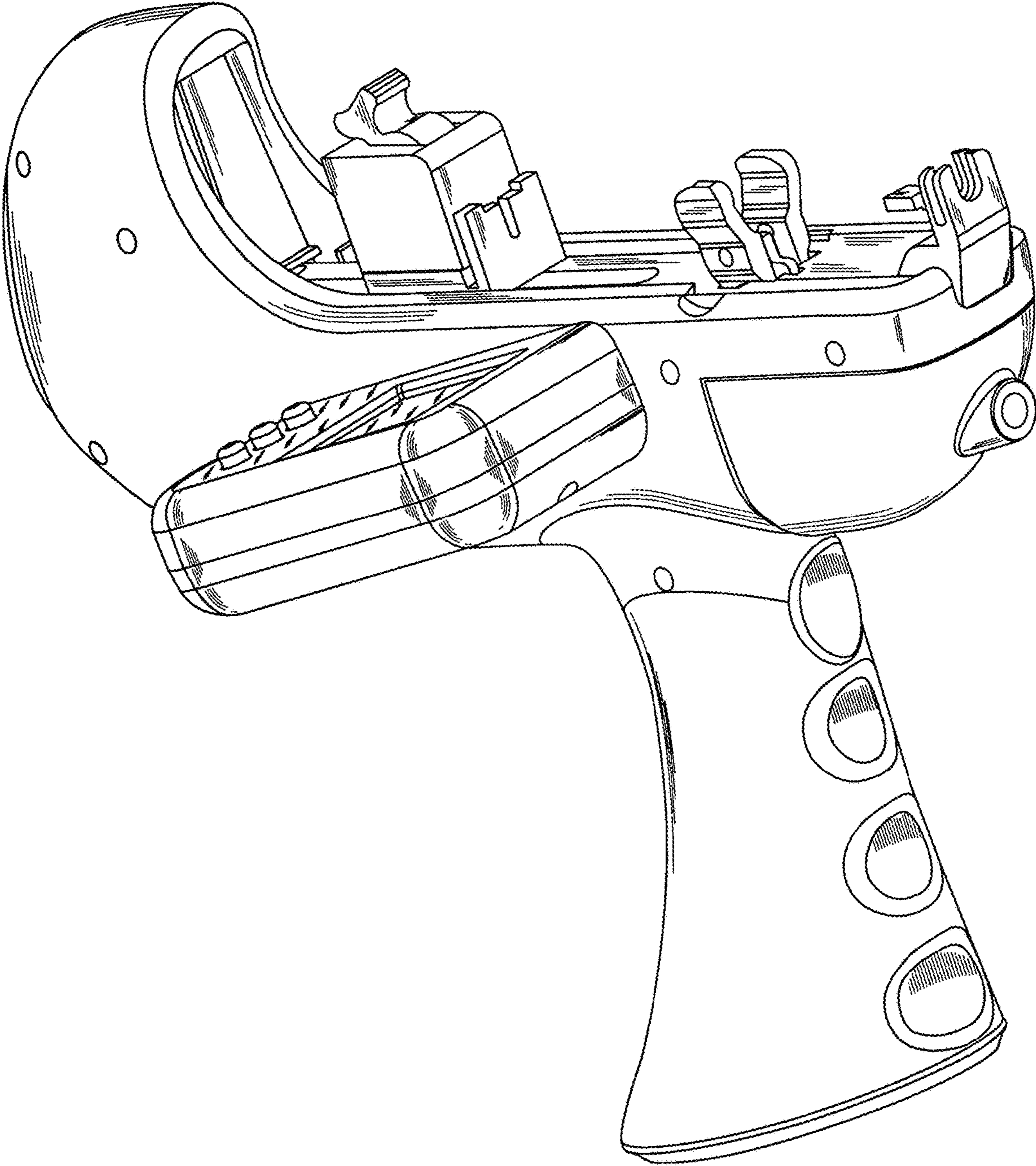


FIG. 1

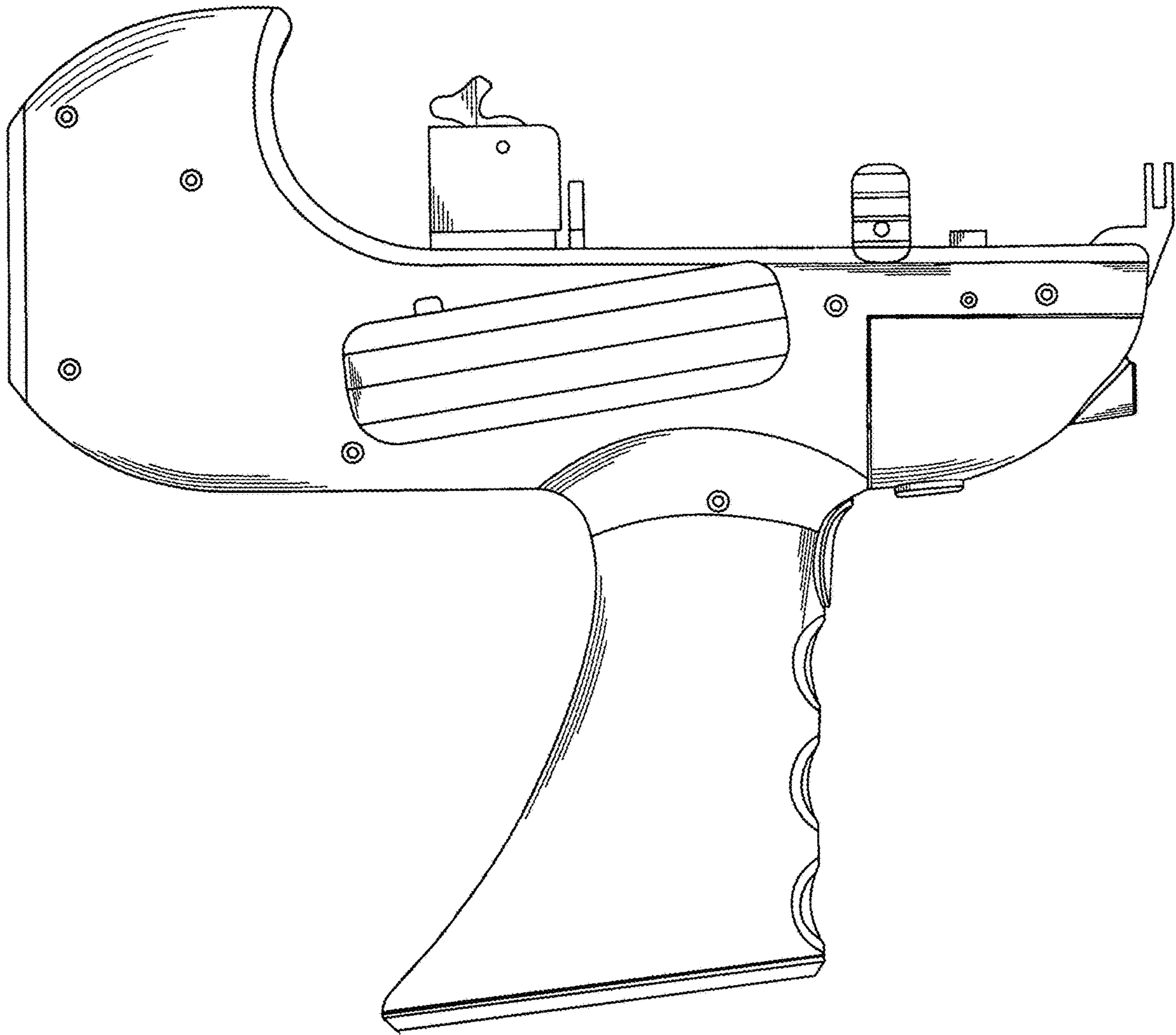


FIG. 2

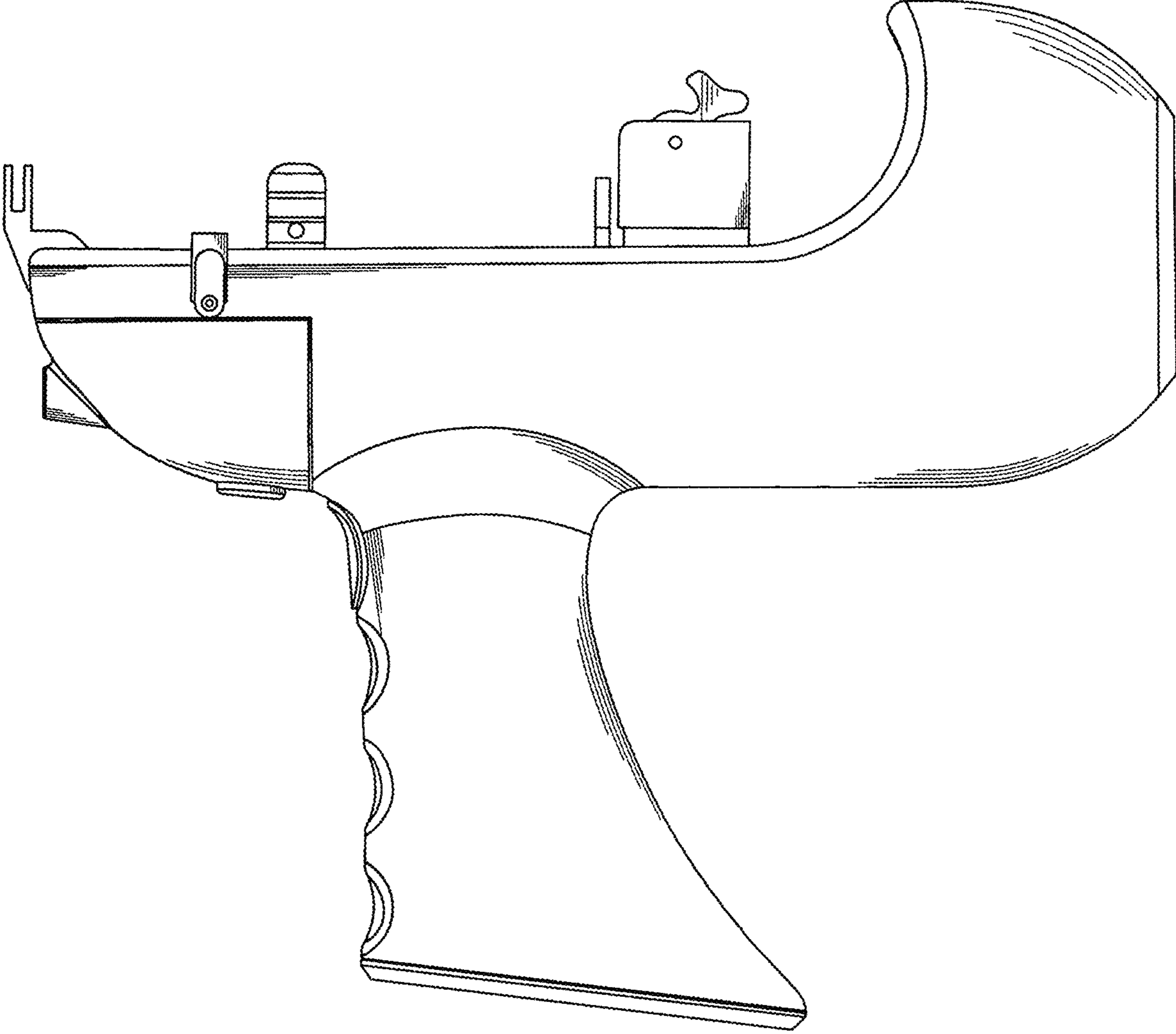


FIG. 3

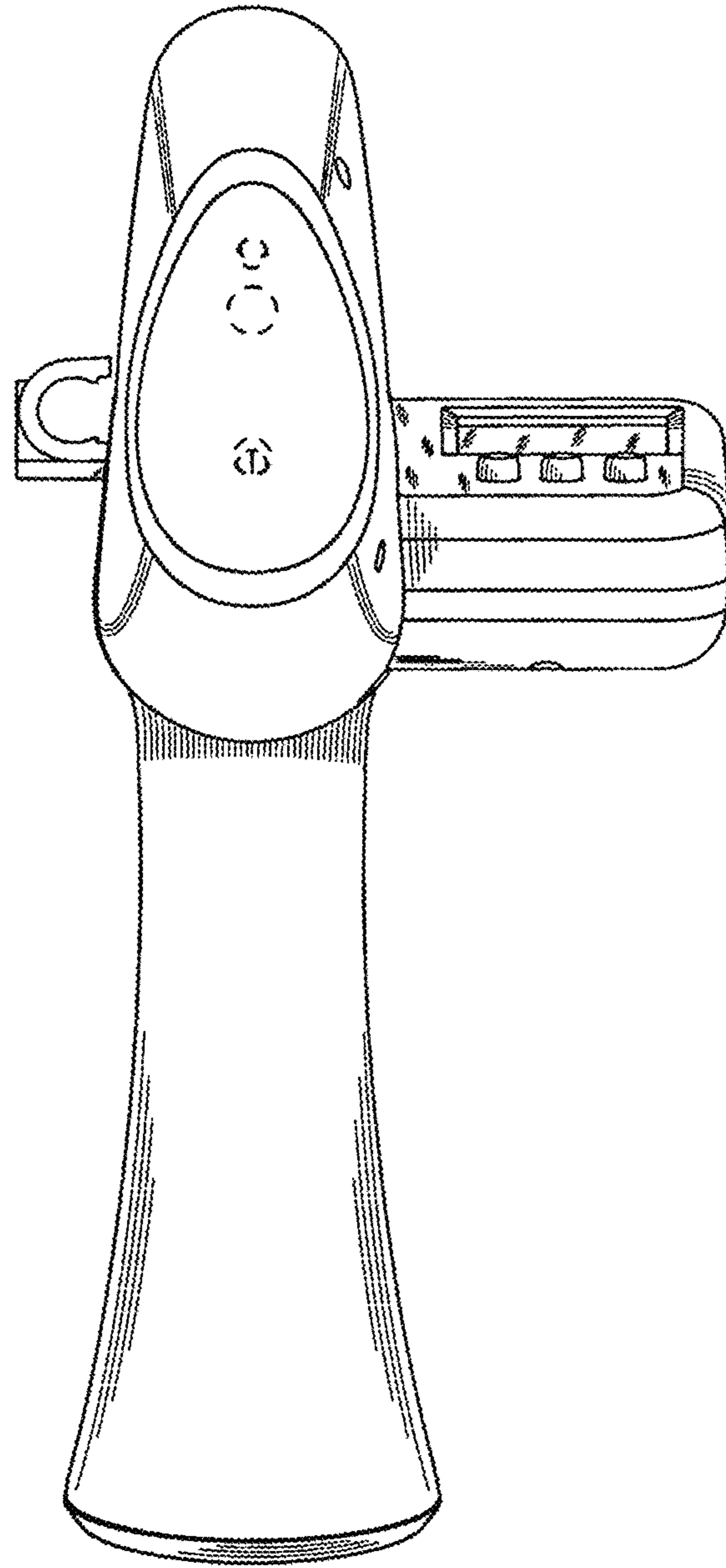


FIG. 4

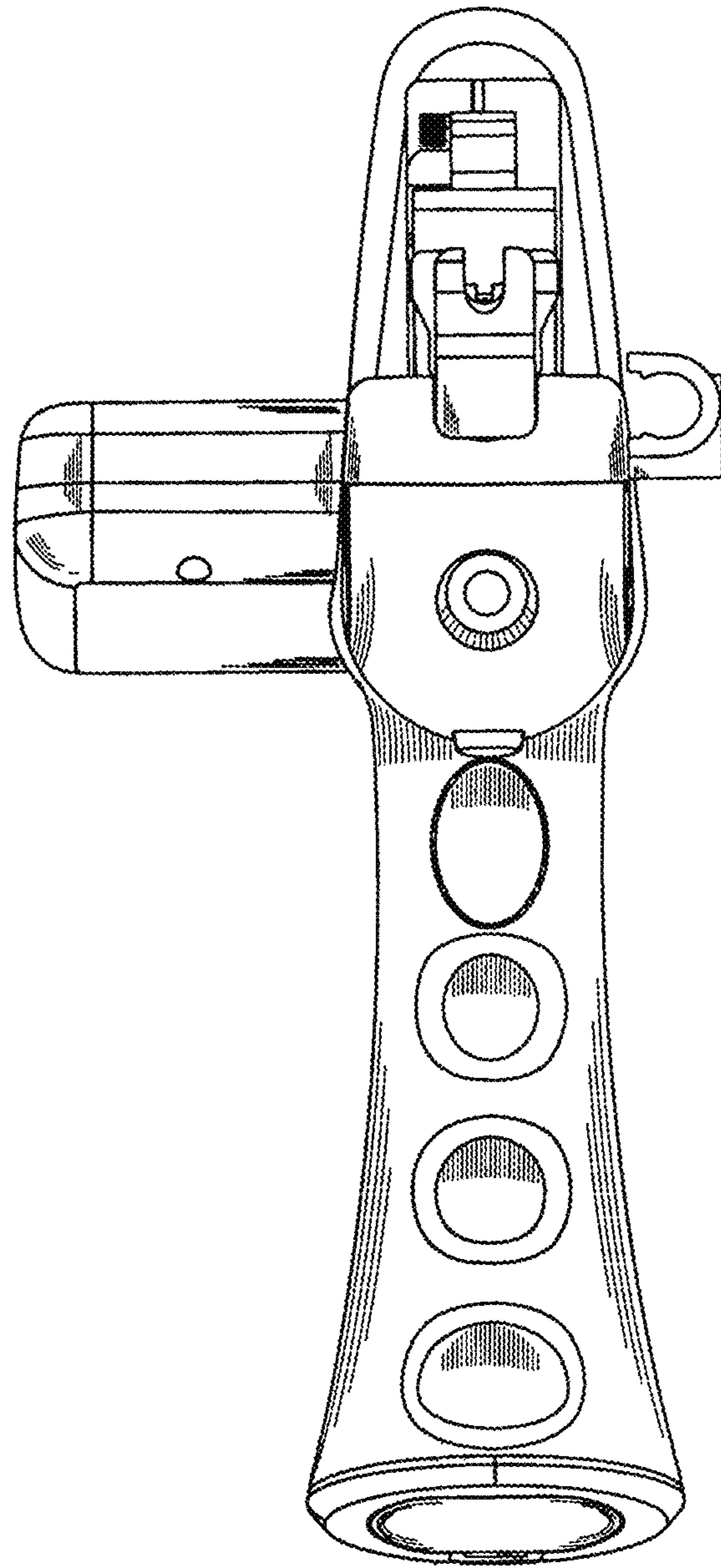


FIG. 5

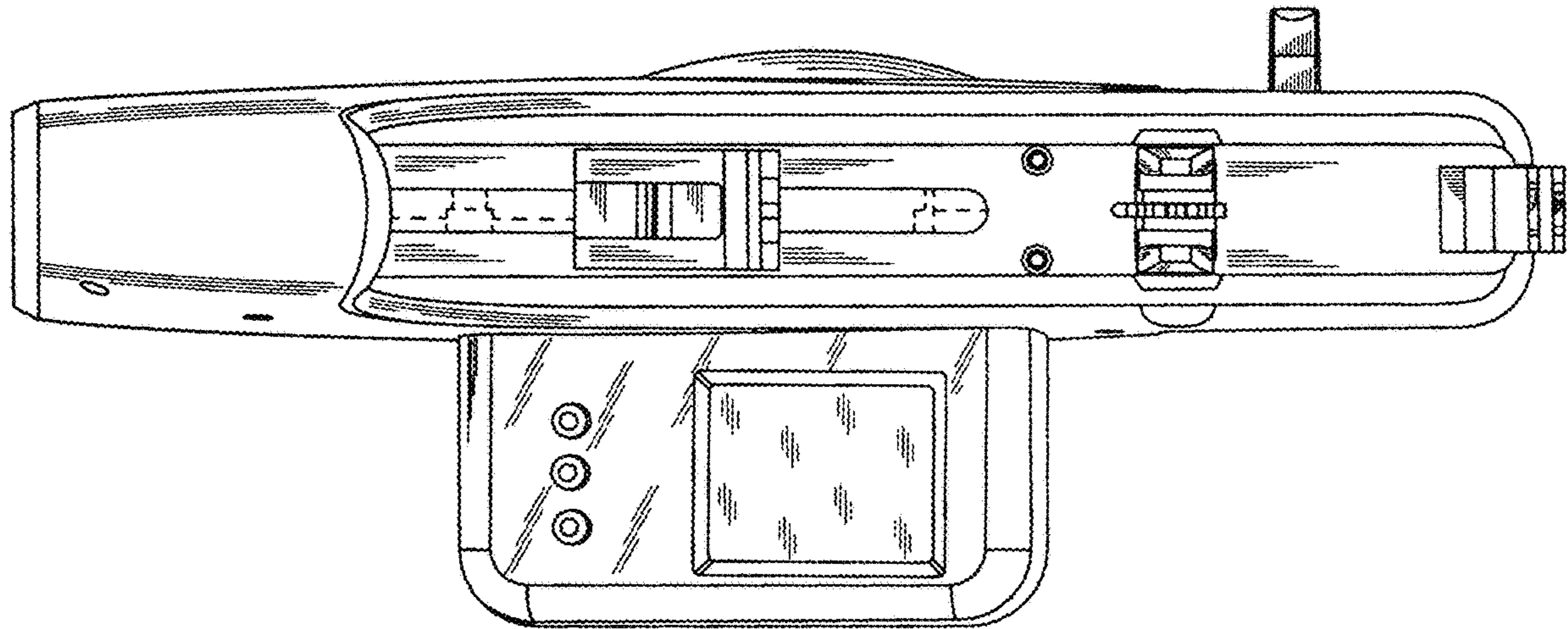


FIG. 6

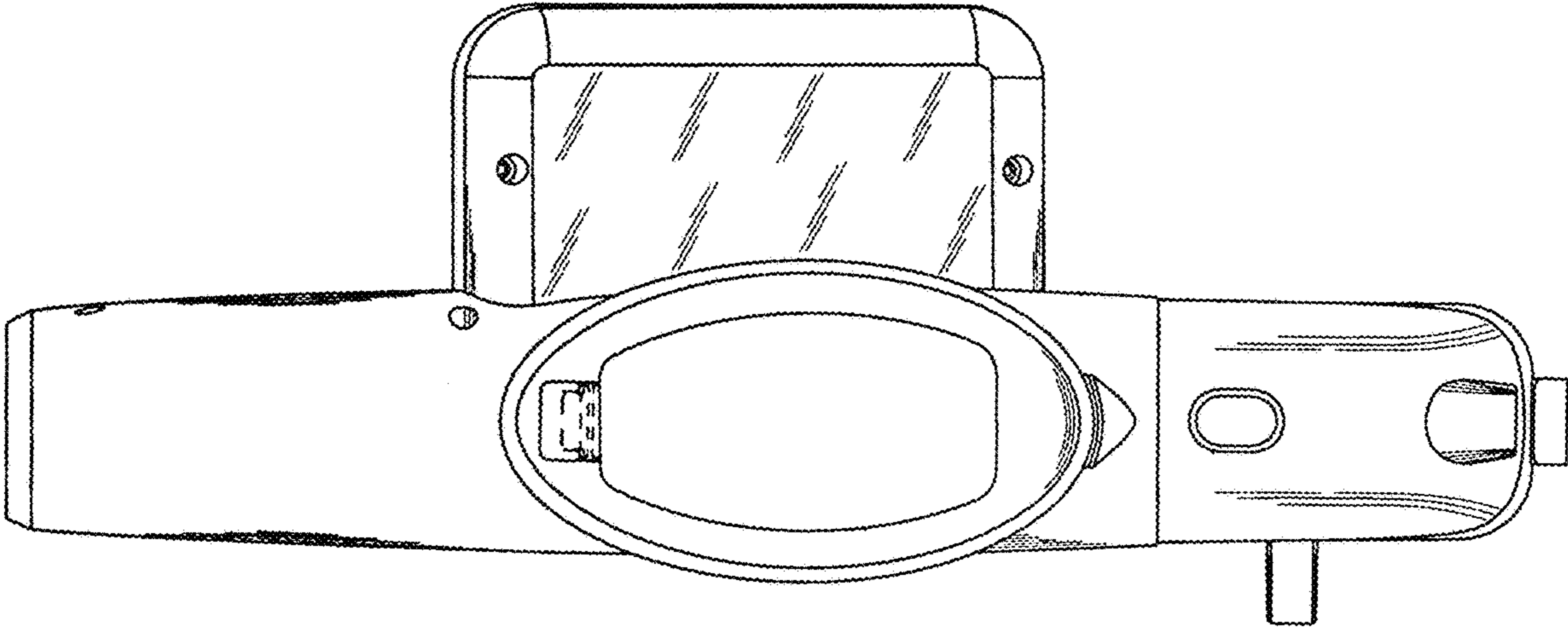


FIG. 7