



US00D886276S

(12) **United States Design Patent**  
**Zhu**

(10) **Patent No.:** **US D886,276 S**  
(45) **Date of Patent:** **\*\* Jun. 2, 2020**

- (54) **FAN WITH SUCTION CUP**
- (71) Applicant: **Shenzhen Chinaunion Technology Co., Ltd., Shenzhen (CN)**
- (72) Inventor: **Xueping Zhu, Chenzhou (CN)**
- (\*\*) Term: **15 Years**
- (21) Appl. No.: **29/718,996**
- (22) Filed: **Dec. 31, 2019**
- (30) **Foreign Application Priority Data**  
Nov. 1, 2019 (CN) ..... 2019 3 0600024
- (51) **LOC (12) Cl.** ..... **23-04**
- (52) **U.S. Cl.**  
USPC ..... **D23/382; D23/370**
- (58) **Field of Classification Search**  
USPC ..... D23/370-379, 381-385, 411-414, 360, D23/314, 335, 328, 332  
CPC . F04D 5/00; F04D 27/00; F04D 25/10; F04D 29/64; F04D 19/00; F24H 3/04; B65D 71/00  
See application file for complete search history.

- (56) **References Cited**  
U.S. PATENT DOCUMENTS  
D335,529 S \* 5/1993 San-Jou ..... D23/324  
5,304,035 A \* 4/1994 Carter ..... F04D 25/084  
224/258  
D384,144 S \* 9/1997 DuBois ..... D23/332  
D406,331 S \* 3/1999 Chan ..... D23/332  
D435,899 S \* 1/2001 Melwani ..... D23/382

- D610,671 S \* 2/2010 Zhuang ..... D23/382
- D617,440 S 6/2010 Ching
- D669,976 S \* 10/2012 Hsu ..... D23/382
- D676,535 S \* 2/2013 Barrett ..... D23/328
- D684,249 S 6/2013 Herbst
- D777,899 S 1/2017 Wark
- D818,109 S \* 5/2018 Junkel ..... D23/382
- 2008/0101928 A1 \* 5/2008 Chen ..... F04D 25/084  
415/213.1

\* cited by examiner

*Primary Examiner* — Janice Hallmark  
(74) *Attorney, Agent, or Firm* — HYIP

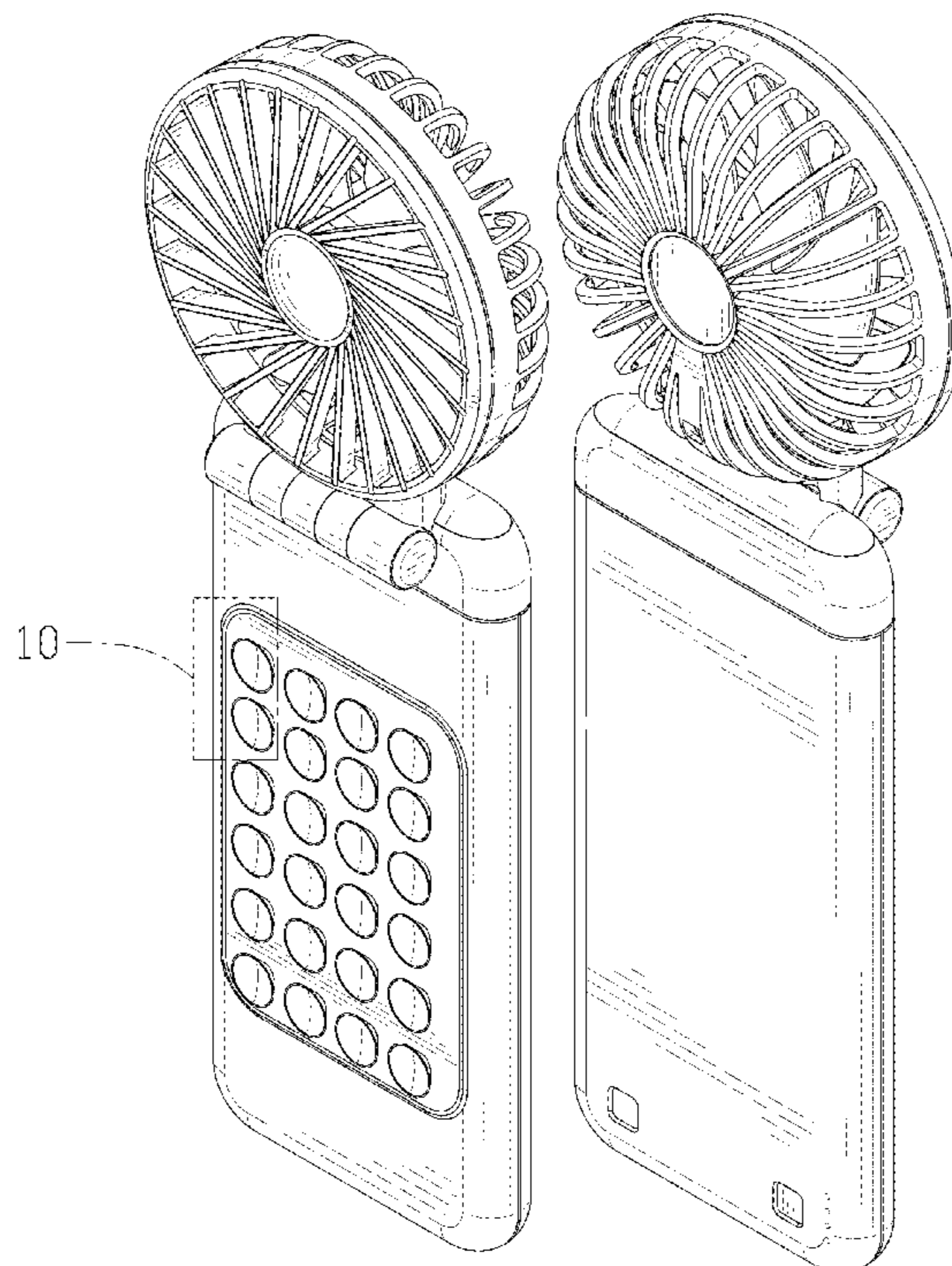
(57) **CLAIM**  
The ornamental design for a fan with suction cup, as shown and described.

**DESCRIPTION**

FIG. 1 is a first perspective view of a fan with suction cup showing my new design;  
 FIG. 2 is a second perspective view thereof;  
 FIG. 3 is a front view thereof;  
 FIG. 4 is a back view thereof;  
 FIG. 5 is a left side view thereof;  
 FIG. 6 is a right side view thereof;  
 FIG. 7 is a top view thereof;  
 FIG. 8 is a bottom view thereof;  
 FIG. 9 is a perspective view of another state of the fan with suction cup thereof; and,  
 FIG. 10 is an enlarged view of the selected portion in FIG. 1.

The broken lines shown in the drawings depict portions of the fan with suction cup in which the design is embodied that form no part of the claimed design.

**1 Claim, 10 Drawing Sheets**



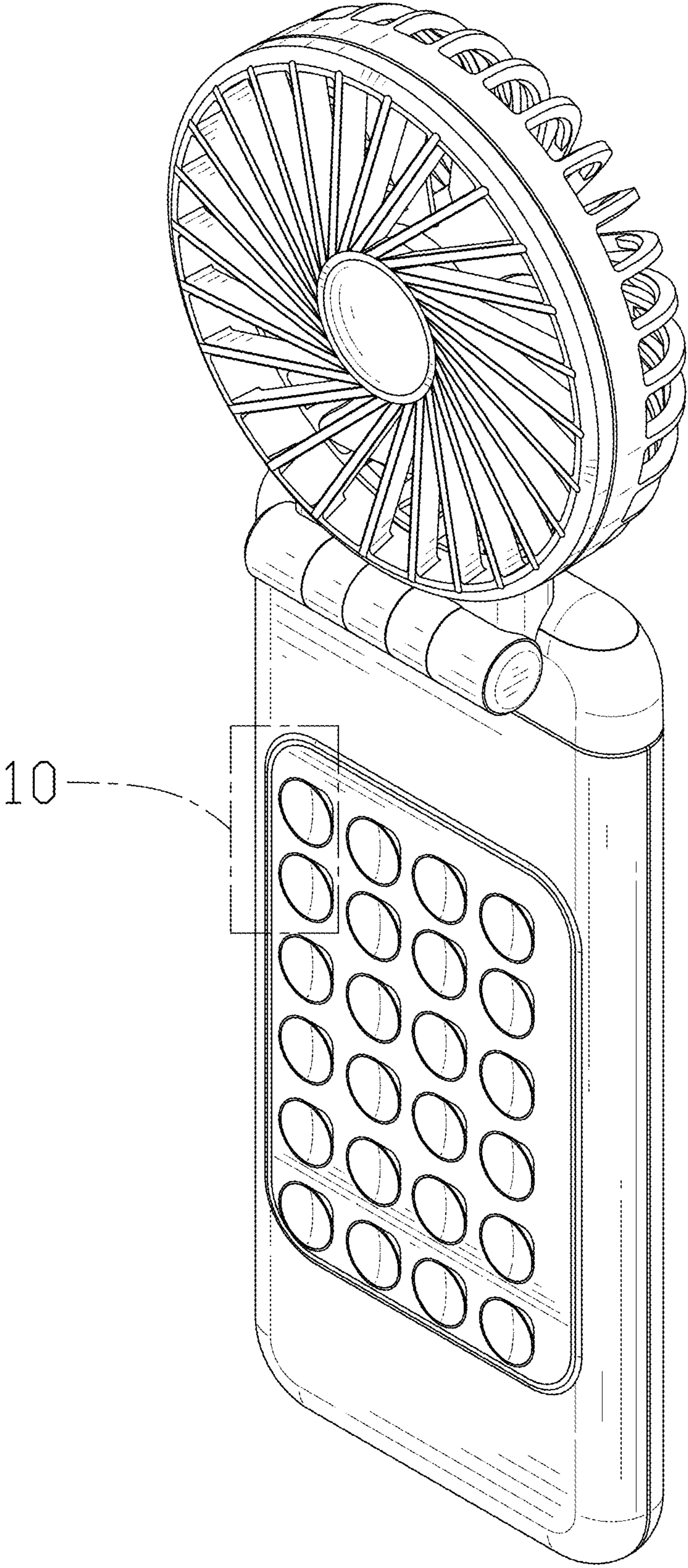


FIG. 1

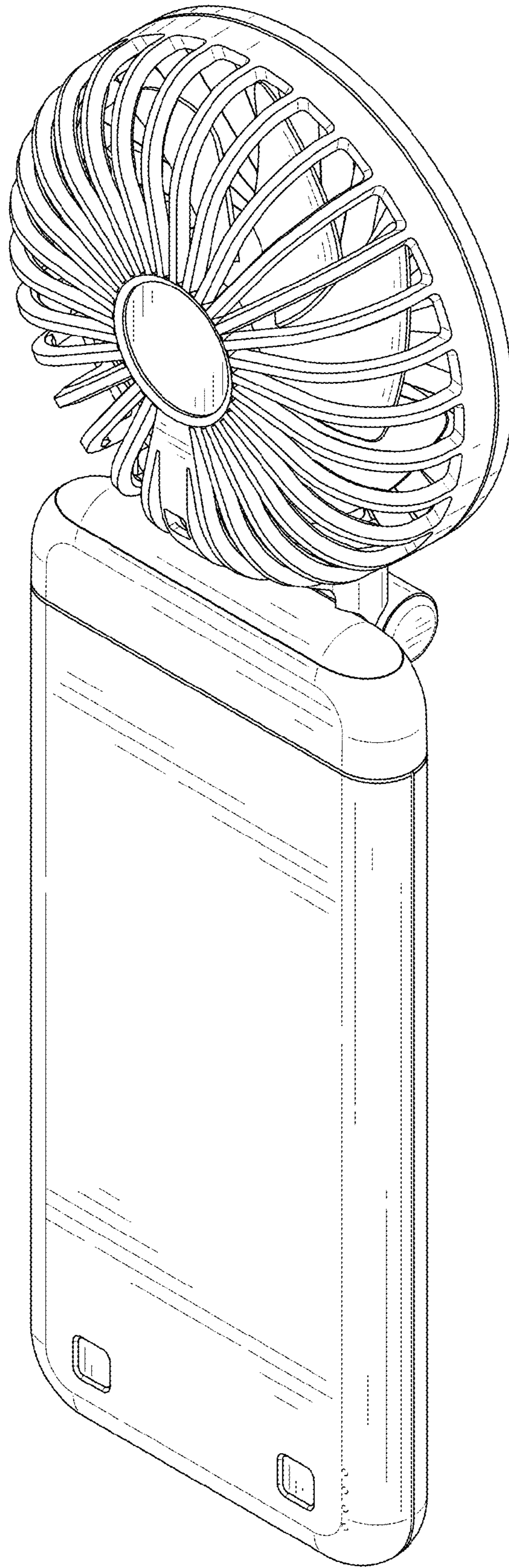


FIG. 2

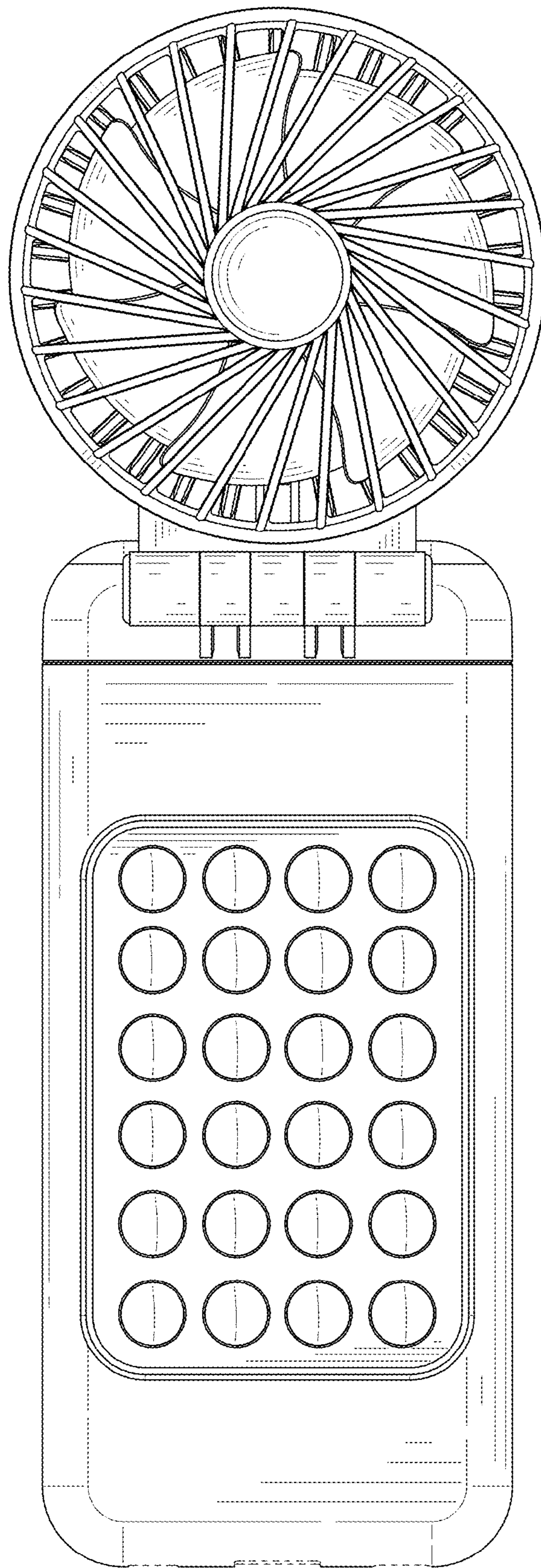


FIG. 3

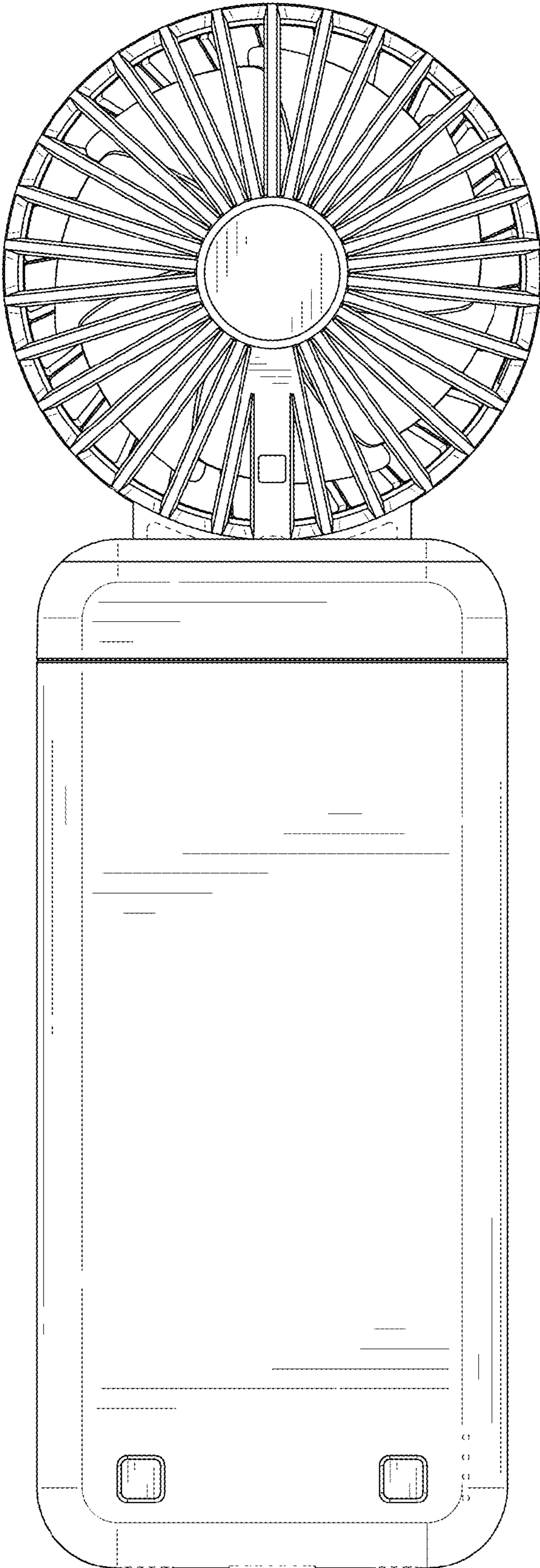


FIG. 4

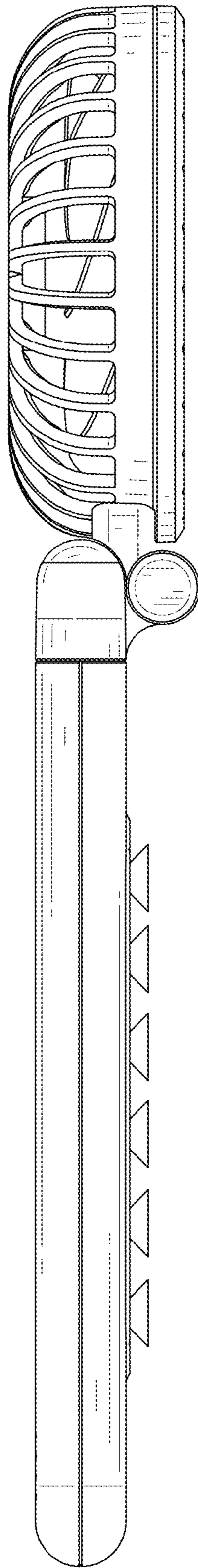


FIG. 5

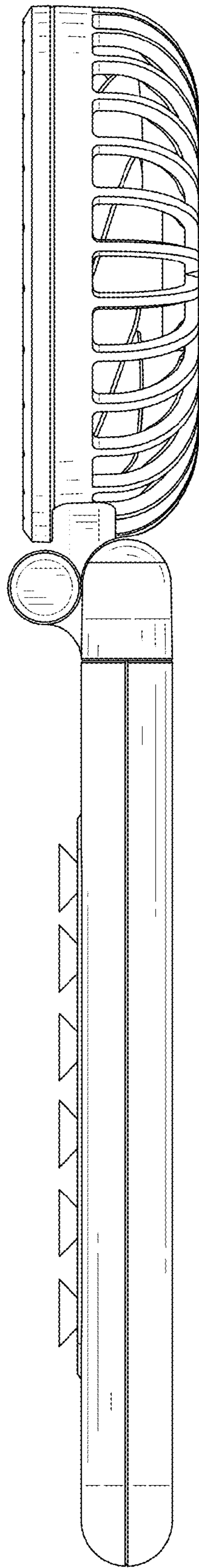


FIG. 6

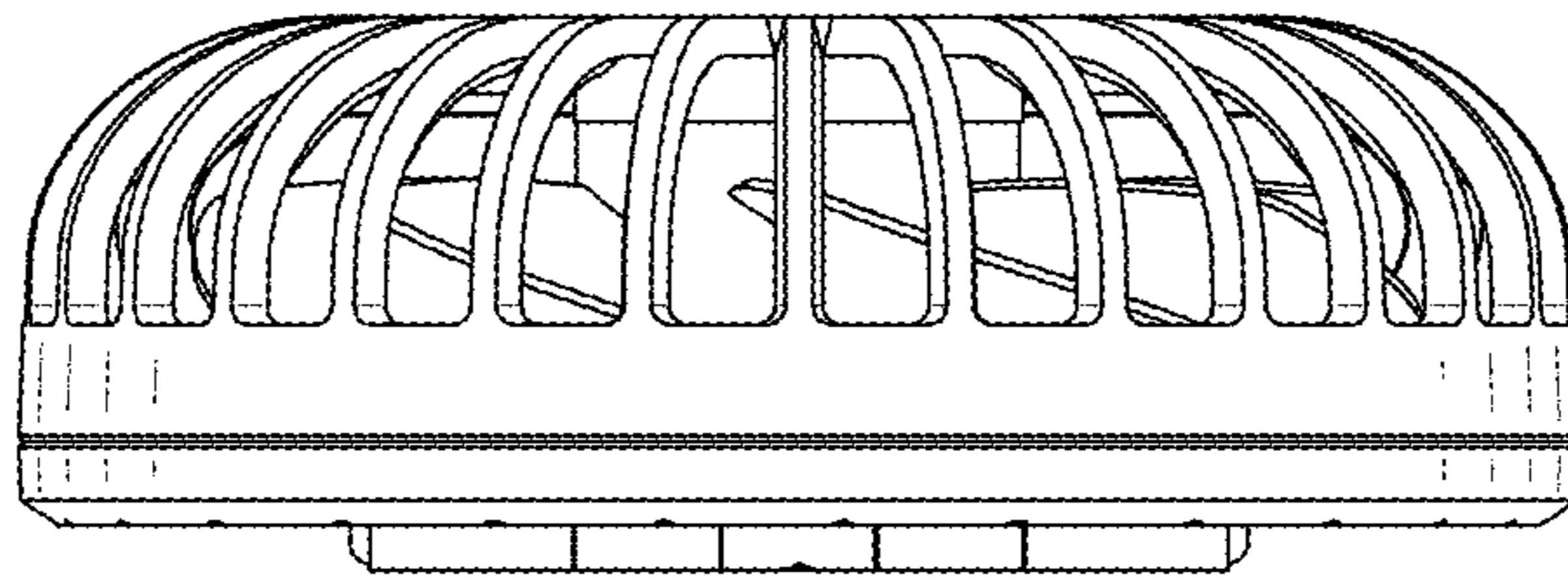


FIG. 7



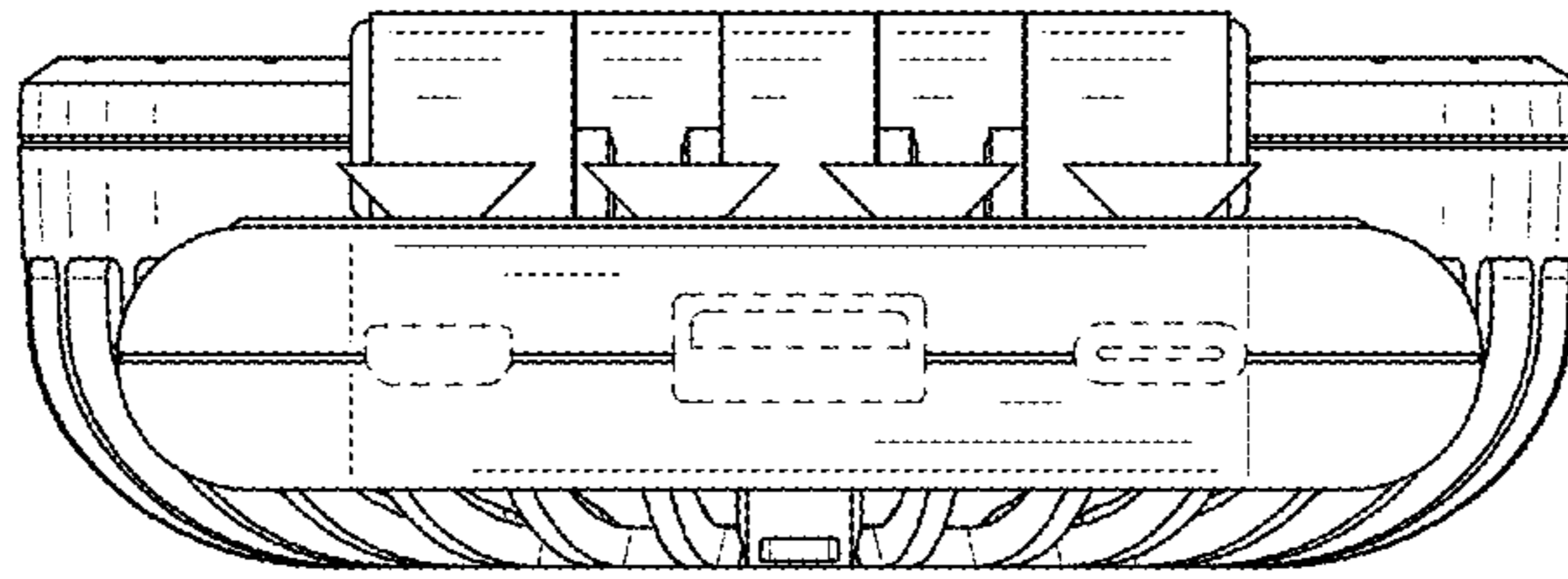


FIG. 8

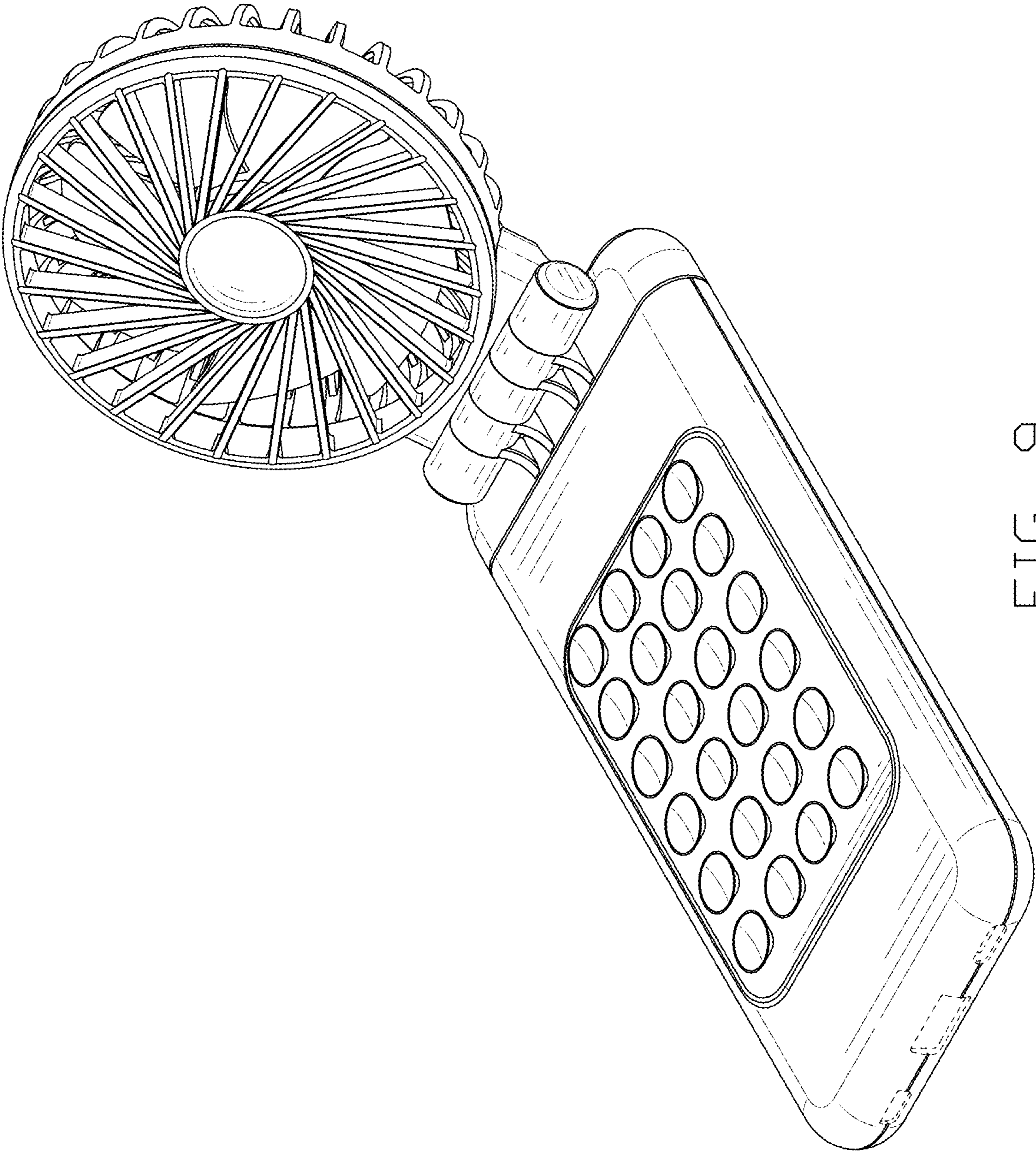


FIG. 9

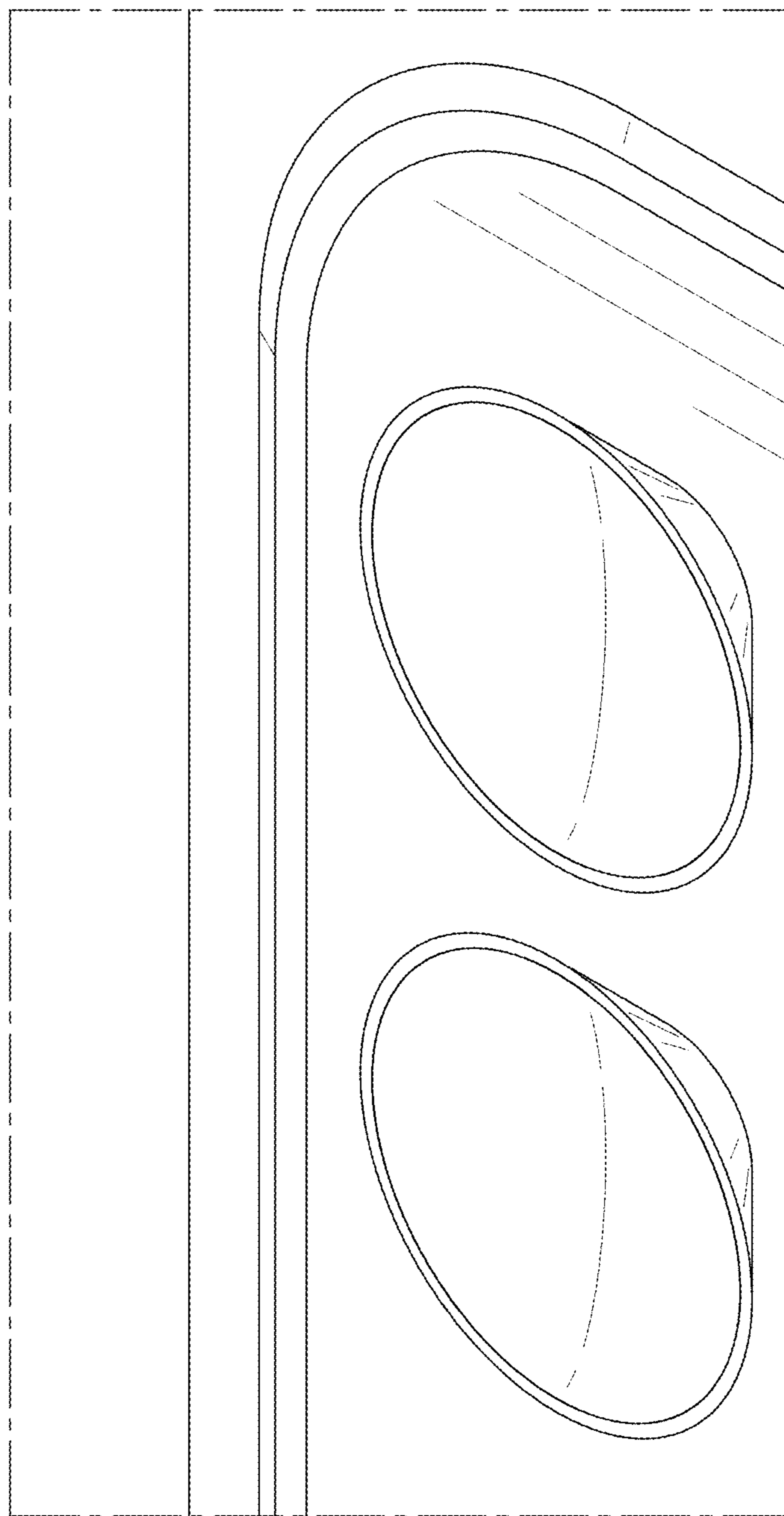


FIG. 10