



US00D886269S

(12) **United States Design Patent**
Sakamoto

(10) **Patent No.:** **US D886,269 S**
(45) **Date of Patent:** **** Jun. 2, 2020**

(54) **AIR HUMIDIFIER WITH A CIRCULATOR**

(71) Applicant: **IRIS OHYAMA INC.**, Sendai-shi,
Miyagi (JP)

(72) Inventor: **Masaharu Sakamoto**, Kakuda (JP)

(73) Assignee: **IRIS OHYAMA INC.**, Sendai-shi (JP)

(**) Term: **15 Years**

(21) Appl. No.: **29/667,091**

(22) Filed: **Oct. 18, 2018**

(30) **Foreign Application Priority Data**

Apr. 20, 2018 (JP) 2018-008758

(51) **LOC (12) Cl.** **23-04**

(52) **U.S. Cl.**
USPC **D23/356**

(58) **Field of Classification Search**
USPC D23/355-366, 352, 369, 332, 333, 335,
D23/336, 342, 351; 422/120, 122;
55/356, 473, 504; 96/97; 261/DIG. 17,
261/DIG. 65, DIG. 88, DIG. 31
CPC .. A61L 9/16; A61L 9/22; B01D 47/00; B01D
47/027; B01D 2221/02; B01D 2259/4508;
B03C 3/155; B03C 3/368; F24F 3/16;
F24F 13/20; F24F 13/28
See application file for complete search history.

(56) **References Cited**

U.S. PATENT DOCUMENTS

D287,274 S * 12/1986 Crowley D23/356
D394,099 S * 5/1998 Tsuji D23/356
D755,942 S * 5/2016 Kim D23/364
D782,019 S * 3/2017 Kim D23/364
D786,413 S * 5/2017 Martin, Sr. D23/351
D804,001 S * 11/2017 Cartwright D23/355
D807,997 S * 1/2018 Seo D23/364
D818,095 S * 5/2018 Cho D23/364

D818,098 S * 5/2018 Cho D23/364
D818,099 S * 5/2018 Cho D23/364
D829,313 S * 9/2018 Cho D23/364
D835,765 S * 12/2018 Chen D23/364
D852,344 S * 6/2019 Hua D23/364

FOREIGN PATENT DOCUMENTS

JP 1470738 S 6/2013
JP 1496008 S 4/2014

OTHER PUBLICATIONS

An Office Action, "Notice of Allowance", dated by the Japanese Patent Office on Dec. 25, 2018, which corresponds to Japanese Patent Application No. 2018-008758 and is related to U.S. Appl. No. 29/667,091, with English language Concise Explanation.

* cited by examiner

Primary Examiner — David G Muller

(74) *Attorney, Agent, or Firm* — Studebaker & Brackett PC

(57) **CLAIM**

The ornamental design for an air humidifier with a circulator, as shown and described.

DESCRIPTION

FIG. 1 is a front, top and right-side perspective view of an air humidifier with a circulator showing my new design; FIG. 2 is a front view thereof; FIG. 3 is a rear view thereof; FIG. 4 is a top view thereof; FIG. 5 is a bottom view thereof; FIG. 6 is a right-side view thereof; and, FIG. 7 is a left-side view thereof. The broken lines shown represent unclaimed subject matter of the air humidifier with a circulator and form no part of the claimed design.

1 Claim, 7 Drawing Sheets

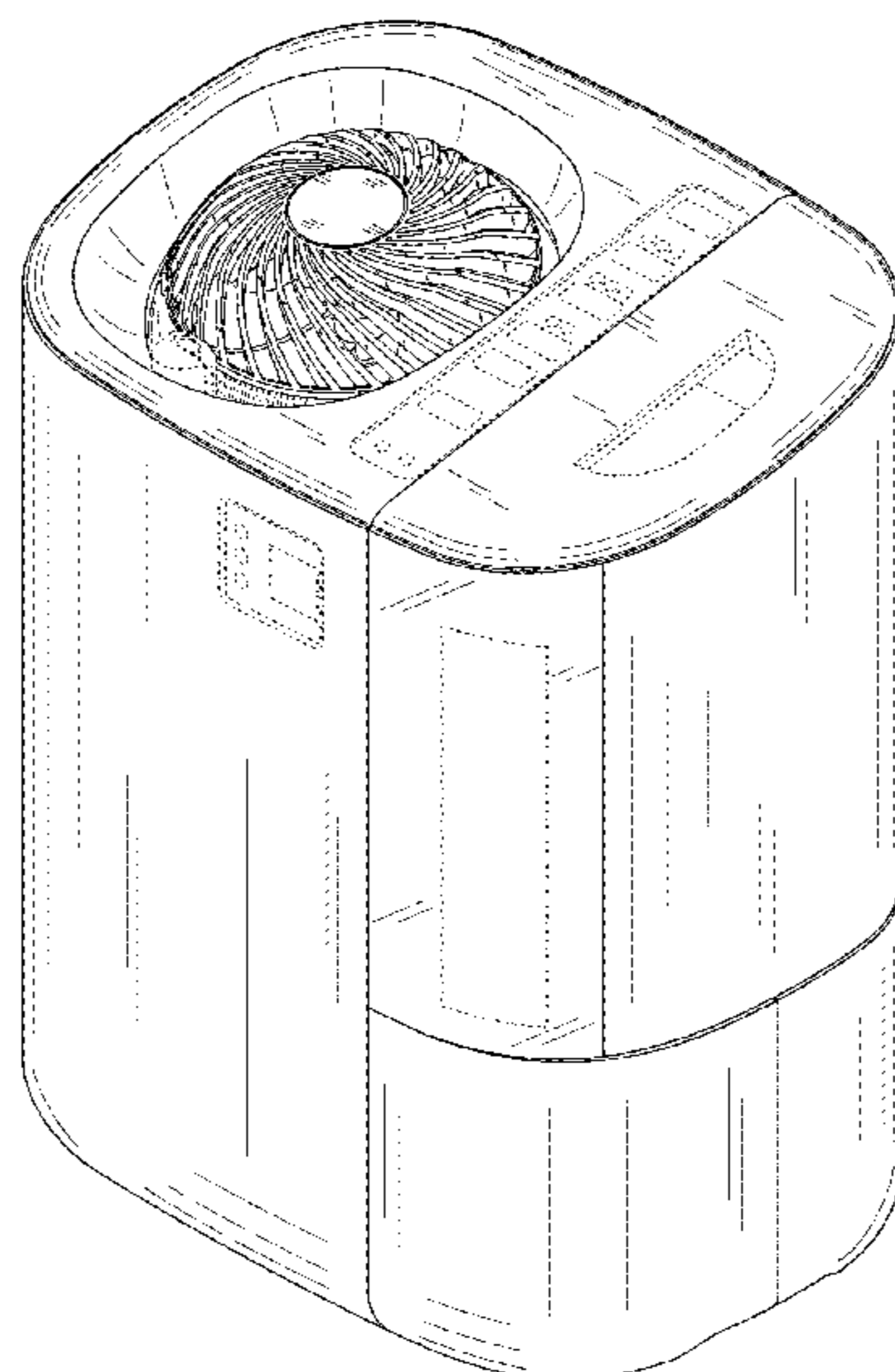


FIG.1

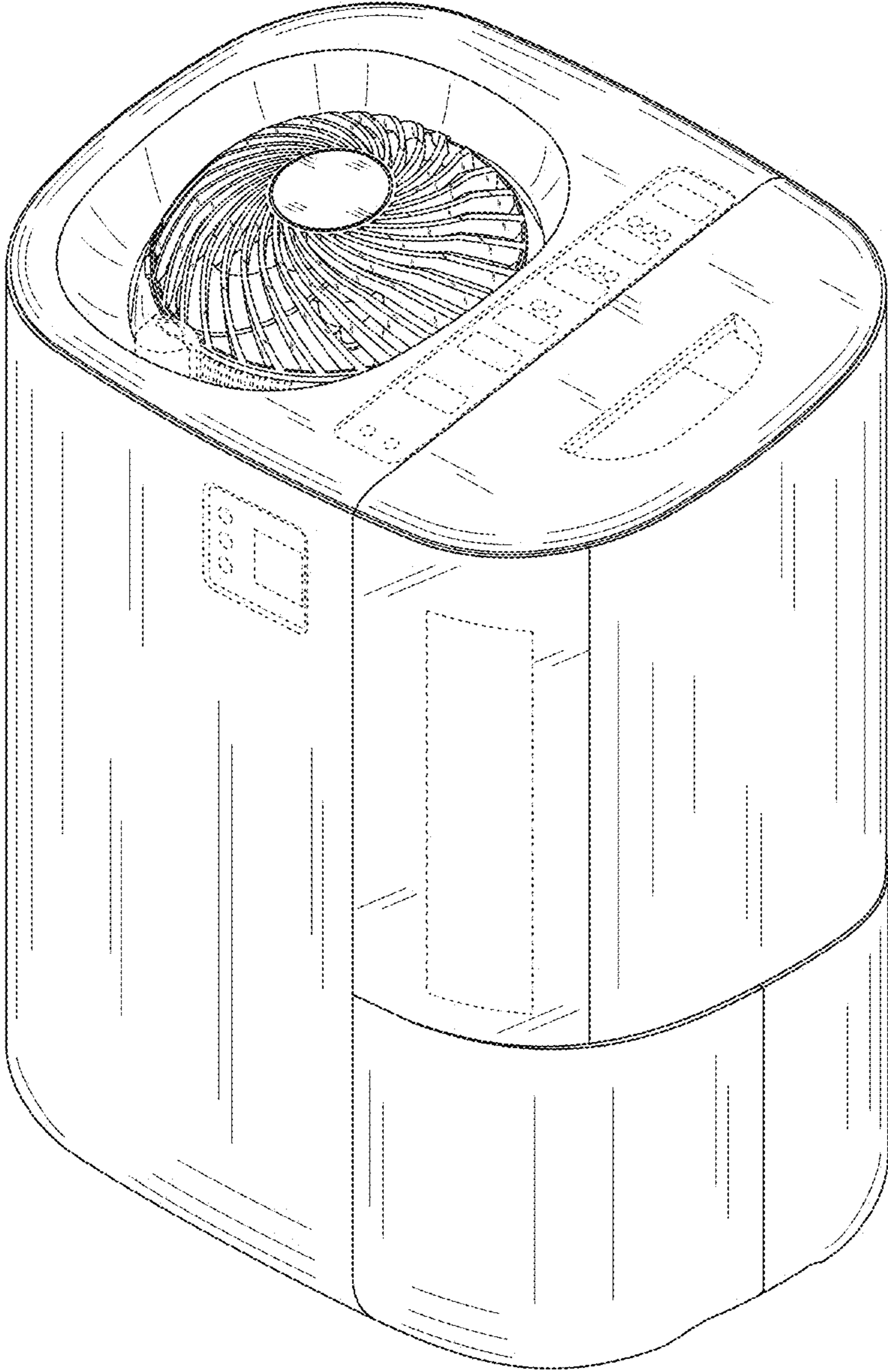


FIG. 2

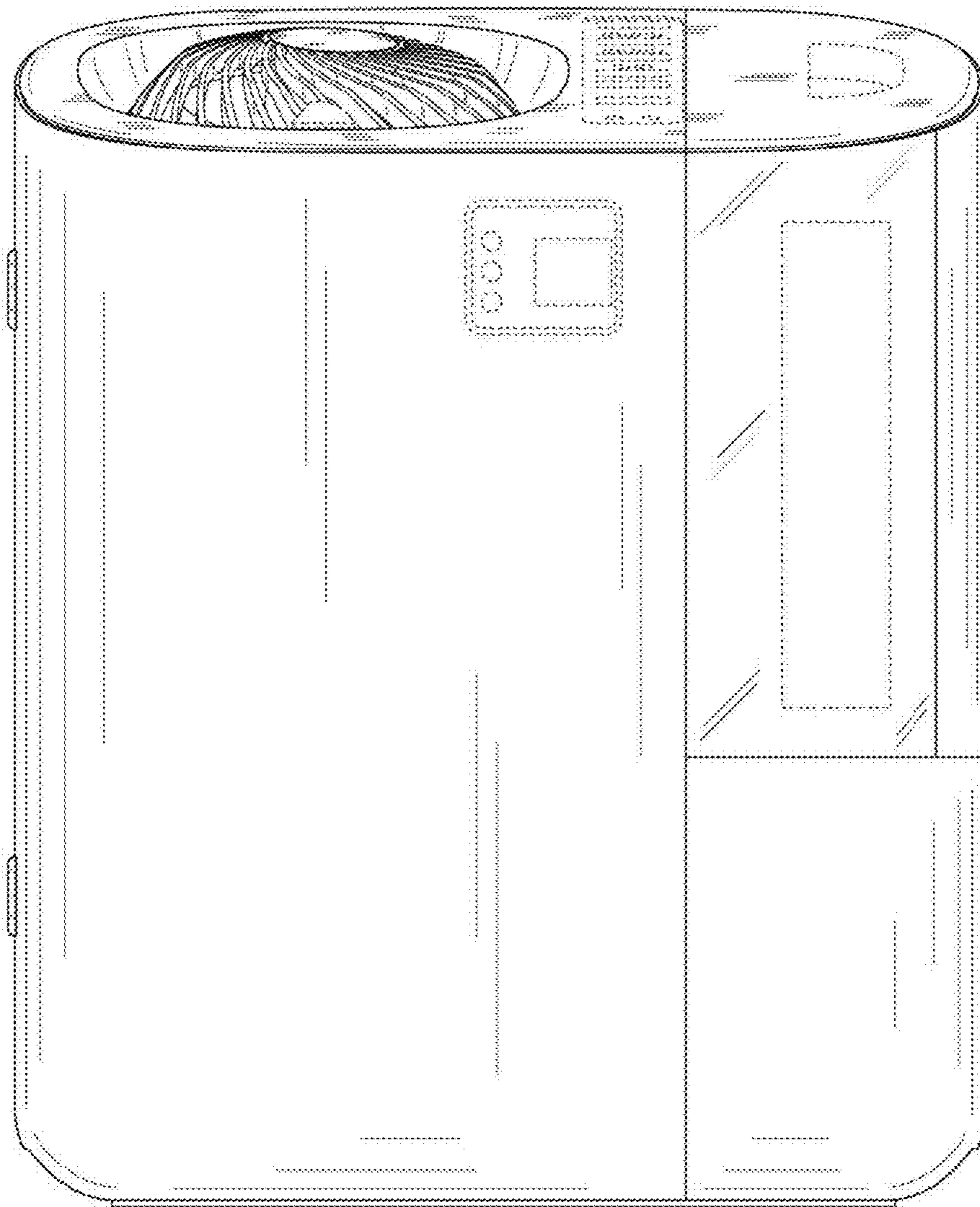


FIG.3

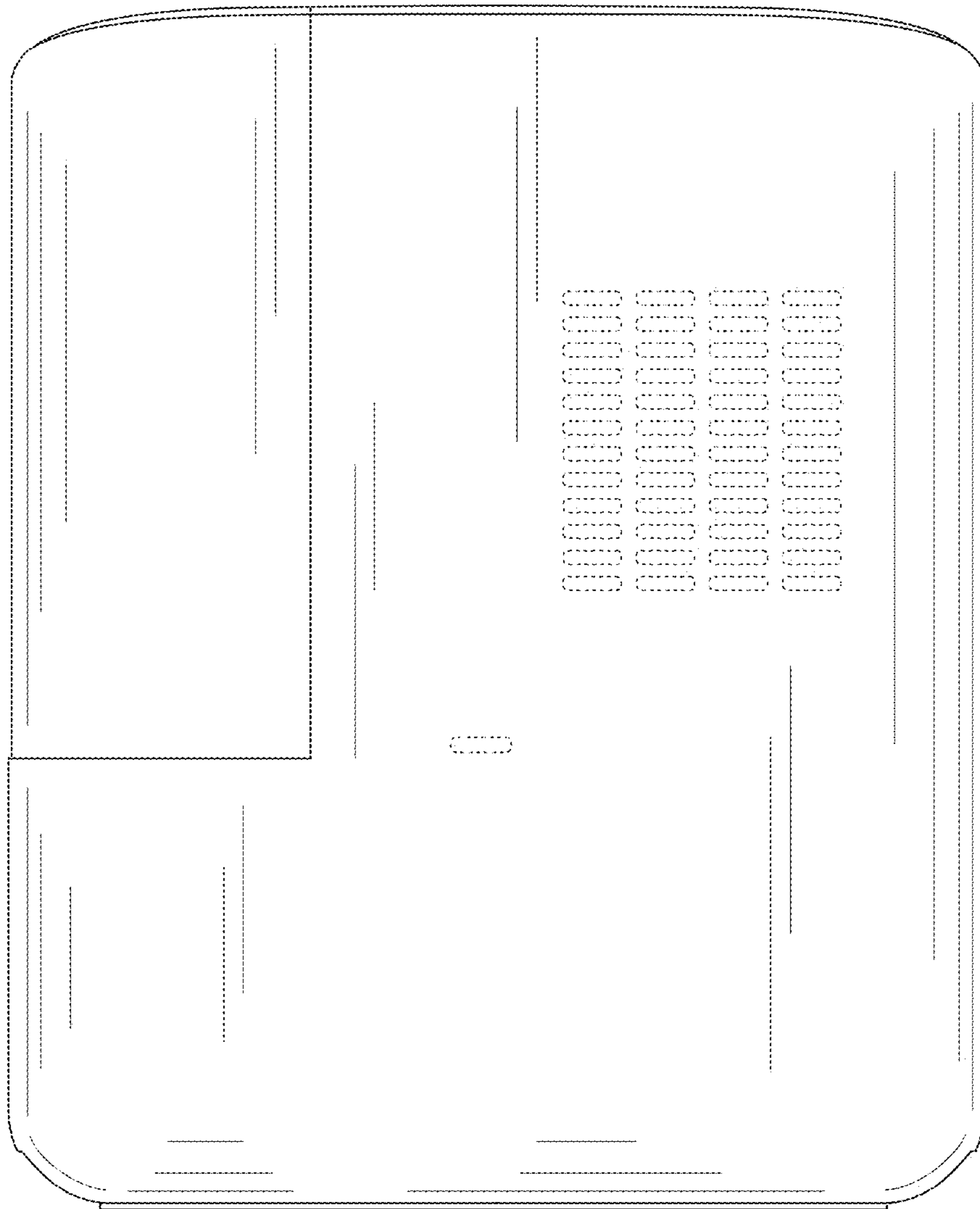


FIG.4

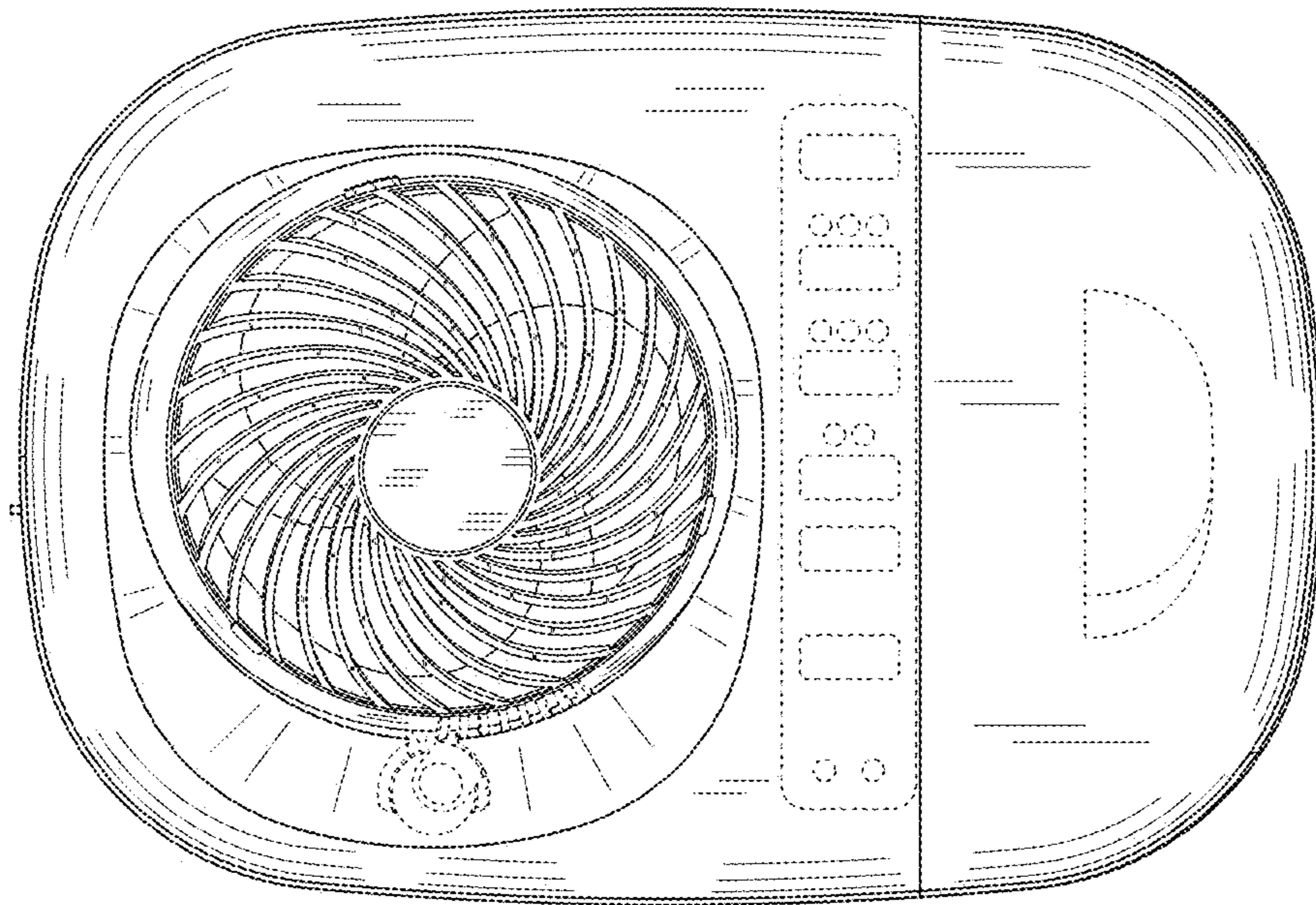


FIG.5

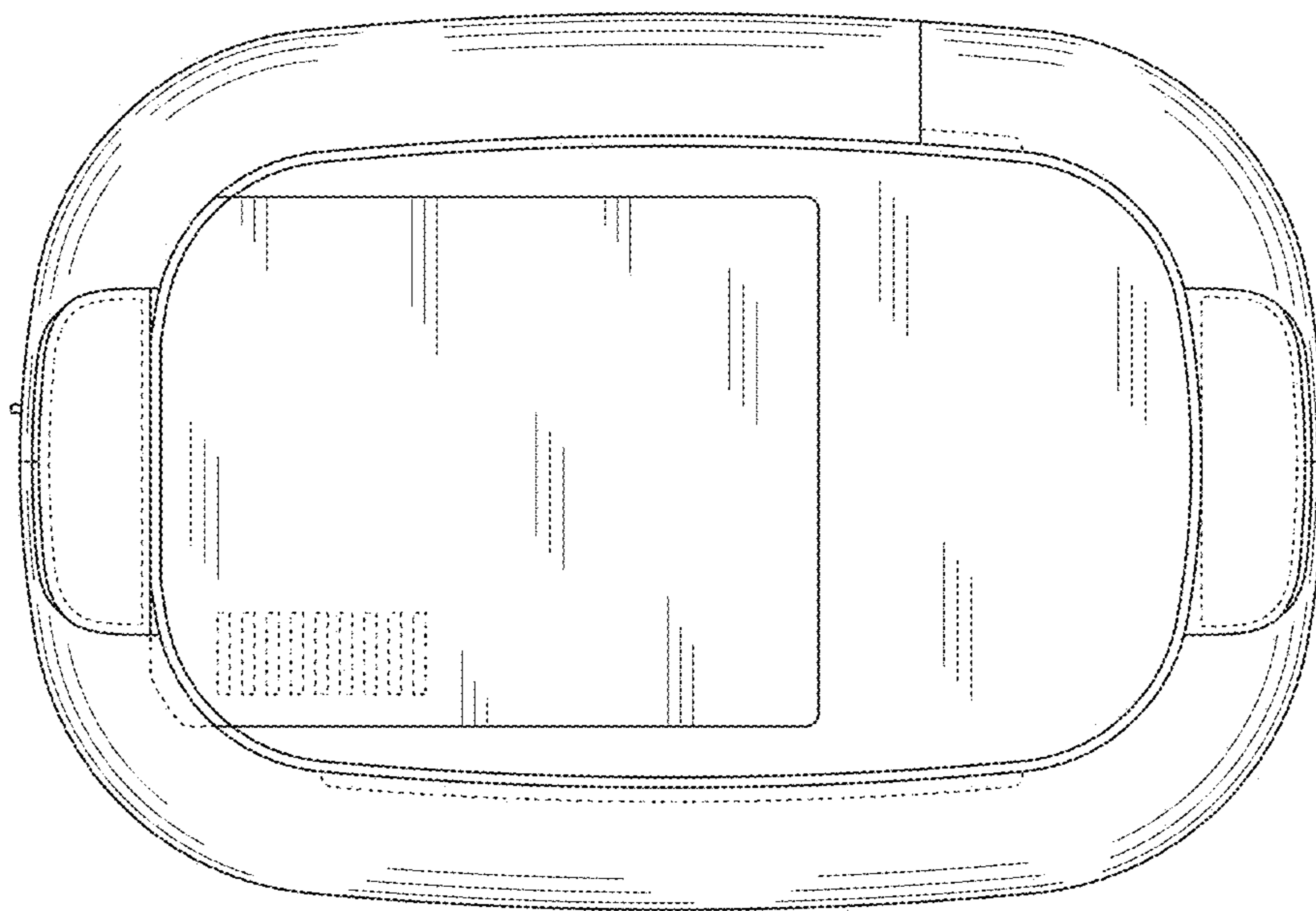


FIG. 6

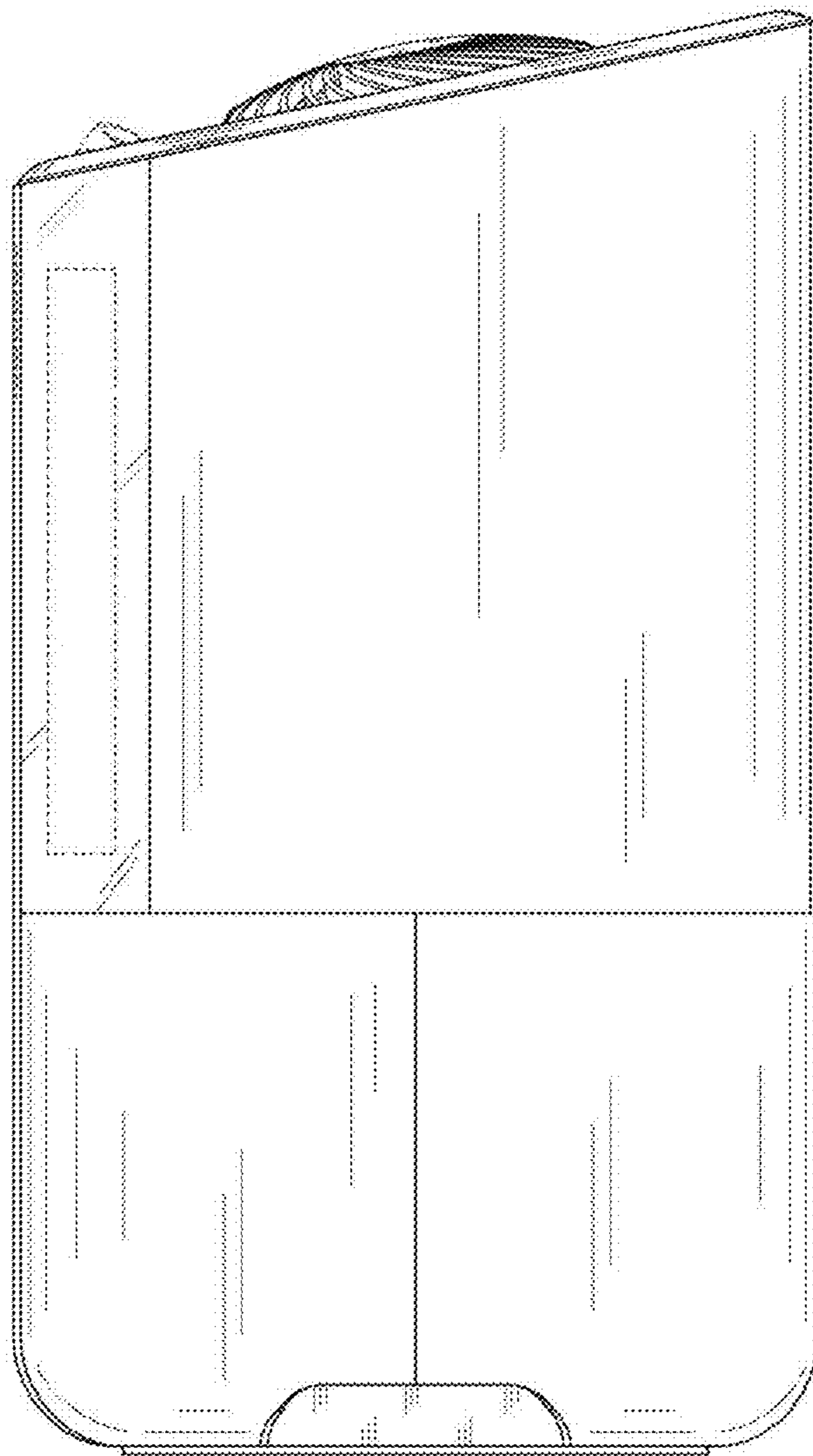


FIG. 7

