



US00D886268S

(12) **United States Design Patent**
Montagnino et al.

(10) **Patent No.:** **US D886,268 S**
(45) **Date of Patent:** **** Jun. 2, 2020**

(54) **EVAPORATIVE HUMIDIFIER AND AIR PURIFIER DEVICE**

(71) Applicants: **James G Montagnino**, Saint Charles, IL (US); **Dirk Niedermann**, Chicago, IL (US)

(72) Inventors: **James G Montagnino**, Saint Charles, IL (US); **Dirk Niedermann**, Chicago, IL (US)

(**) Term: **15 Years**

(21) Appl. No.: **29/649,131**

(22) Filed: **May 25, 2018**

(51) **LOC (12) Cl.** **23-04**

(52) **U.S. Cl.**
USPC **D23/356; D23/364**

(58) **Field of Classification Search**
USPC D23/355-366, 352, 369, 332, 333, 335, D23/336, 342, 351; 422/120, 122; 55/356, 473, 504; 96/97; D14/188, 170, D14/172; 261/DIG. 17, DIG. 65, 261/DIG. 88, DIG. 31; D18/34.6
CPC .. A61L 9/16; A61L 9/22; B01D 47/00; B01D 47/027; B01D 2221/02; B01D 2259/4508; B03C 3/155; B03C 3/368; F24F 3/16; F24F 13/20; F24F 13/28; F24F 3/1405; F24F 3/1603; F24F 13/222

See application file for complete search history.

(56) **References Cited**

U.S. PATENT DOCUMENTS

D156,589 S	*	12/1949	Wedderspoon	D23/336
D251,984 S	*	5/1979	Gombert	D23/369
D274,353 S	*	6/1984	Hoyle	D23/352
D328,946 S	*	8/1992	Havrilla	D23/365
D346,017 S	*	4/1994	Lim	D23/332
D355,962 S	*	2/1995	Chiu	D23/364

(Continued)

Primary Examiner — Nathan M Johnston

(74) *Attorney, Agent, or Firm* — Steven Ivy P.C.

(57) **CLAIM**

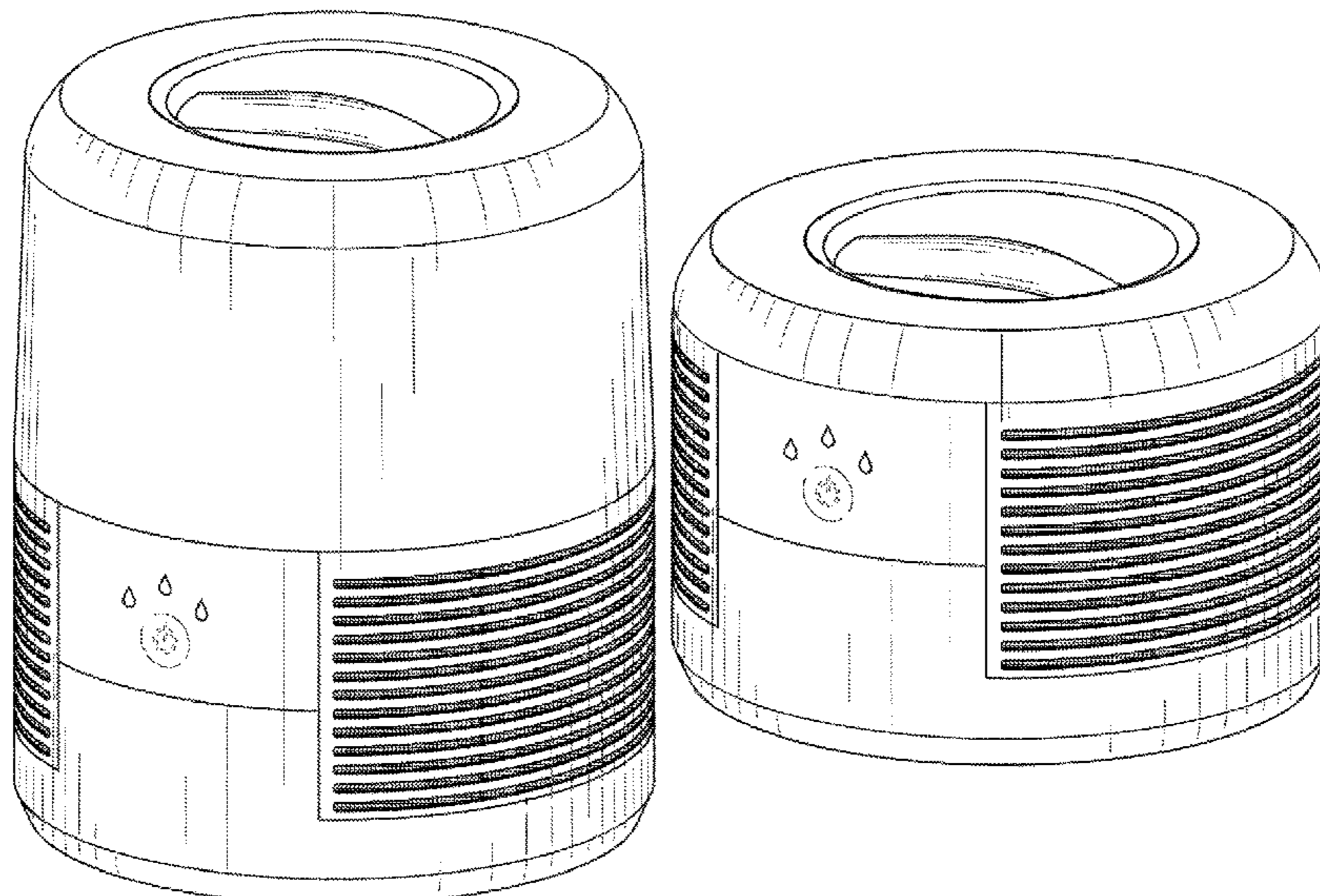
The ornamental design for evaporative humidifier and air purifier device, as shown and described.

DESCRIPTION

FIG. 1 is a front perspective view illustrating our design for the evaporative humidifier configuration;
FIG. 2 is a front perspective view illustrating our design for the air purifier configuration;
FIG. 3 is a front view illustrating our design for the evaporative humidifier configuration;
FIG. 4 is a front view illustrating our design for the air purifier configuration;
FIG. 5 is a rear view illustrating our design for the evaporative humidifier configuration;
FIG. 6 is a rear view illustrating our design for the air purifier configuration;
FIG. 7 is a left side view illustrating our design for the evaporative humidifier configuration;
FIG. 8 is a left side view illustrating our design for the air purifier configuration;
FIG. 9 is a right side view illustrating our design for the evaporative humidifier configuration;
FIG. 10 is a right side view illustrating our design for the air purifier configuration;
FIG. 11 is the top view illustrating our design for the evaporative humidifier and air purifier configuration; and,
FIG. 12 is the bottom view illustrating our design evaporative humidifier and air purifier configuration.

The dashed lines immediately adjacent to the shaded areas in the figures represent the boundaries of the claimed design. The dashed lines in the figures illustrate the portions of the design that form no part of the claimed design. The grill feature within the device in FIG. 11 is not claimed. None of the broken lines form any part of the claimed design.

1 Claim, 12 Drawing Sheets



(56)

References Cited

U.S. PATENT DOCUMENTS

5,435,817	A *	7/1995	Davis	B01D 46/0095
				55/337
D375,546	S *	11/1996	Lee	D23/355
5,753,000	A *	5/1998	Chiu	B01D 46/24
				55/357
D423,659	S *	4/2000	Schippanoski	D23/355
D493,874	S *	8/2004	Woods	D23/364
D681,791	S *	5/2013	Jorgensen	D23/366
D700,692	S *	3/2014	Engelhardt	D23/360
D716,427	S *	10/2014	Lim	D23/364
D733,859	S *	7/2015	Hsiao	D23/366
D757,921	S *	5/2016	Li	D23/366
D794,763	S *	8/2017	Thompson, Jr.	D23/355
D806,843	S *	1/2018	McDonnell	D23/355
D810,265	S *	2/2018	Chen	D23/366
D826,388	S *	8/2018	Yeung	D23/356
D834,164	S *	11/2018	Dios	D23/359
D834,694	S *	11/2018	Walter	D23/366
D835,766	S *	12/2018	Chen	D23/364
D836,189	S *	12/2018	Jakins	D23/366
D838,825	S *	1/2019	Sullivan	D23/366
2012/0093683	A1 *	4/2012	Hishida	A61L 9/122
				422/4

* cited by examiner

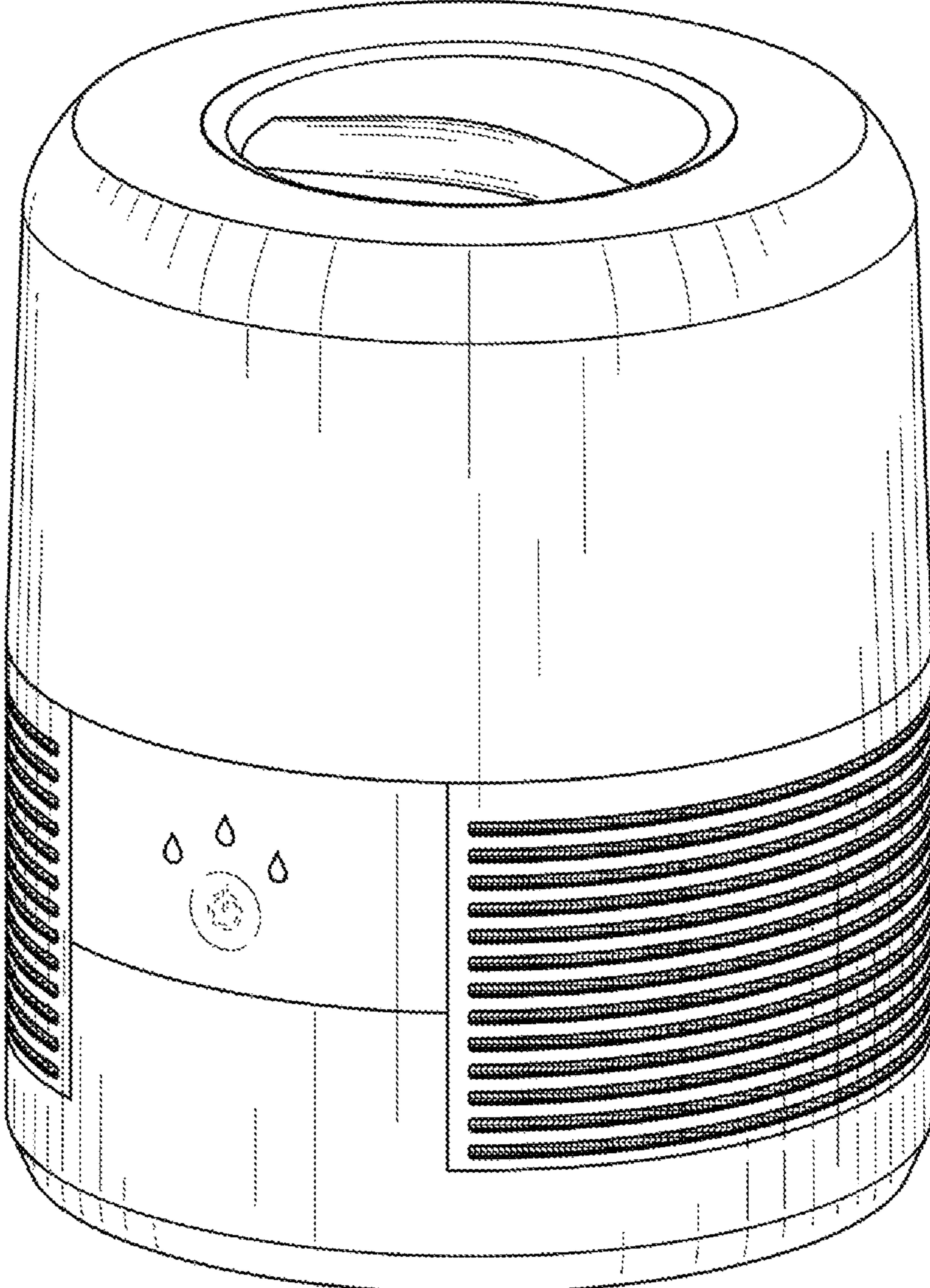


FIG. 1

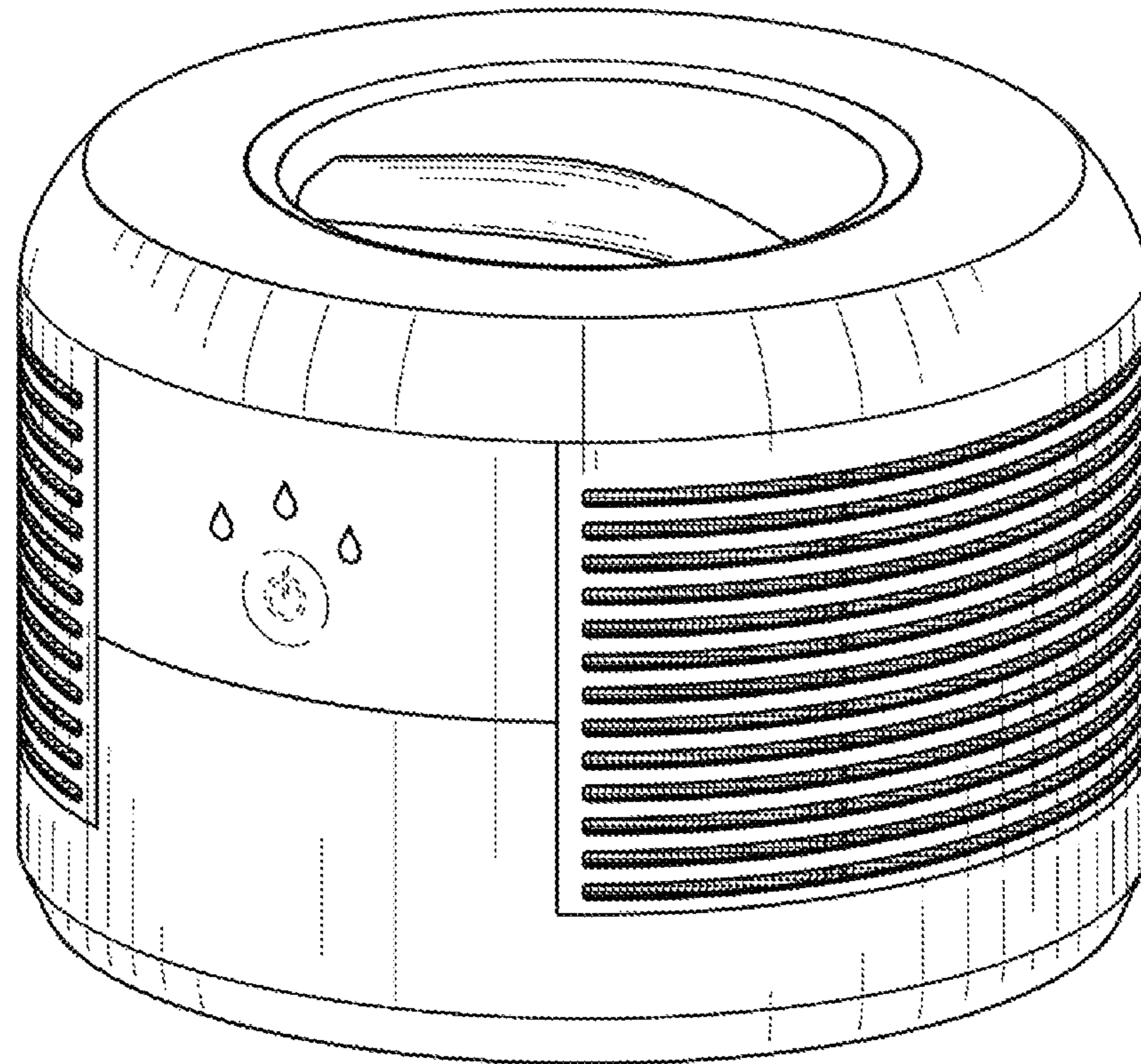


FIG. 2

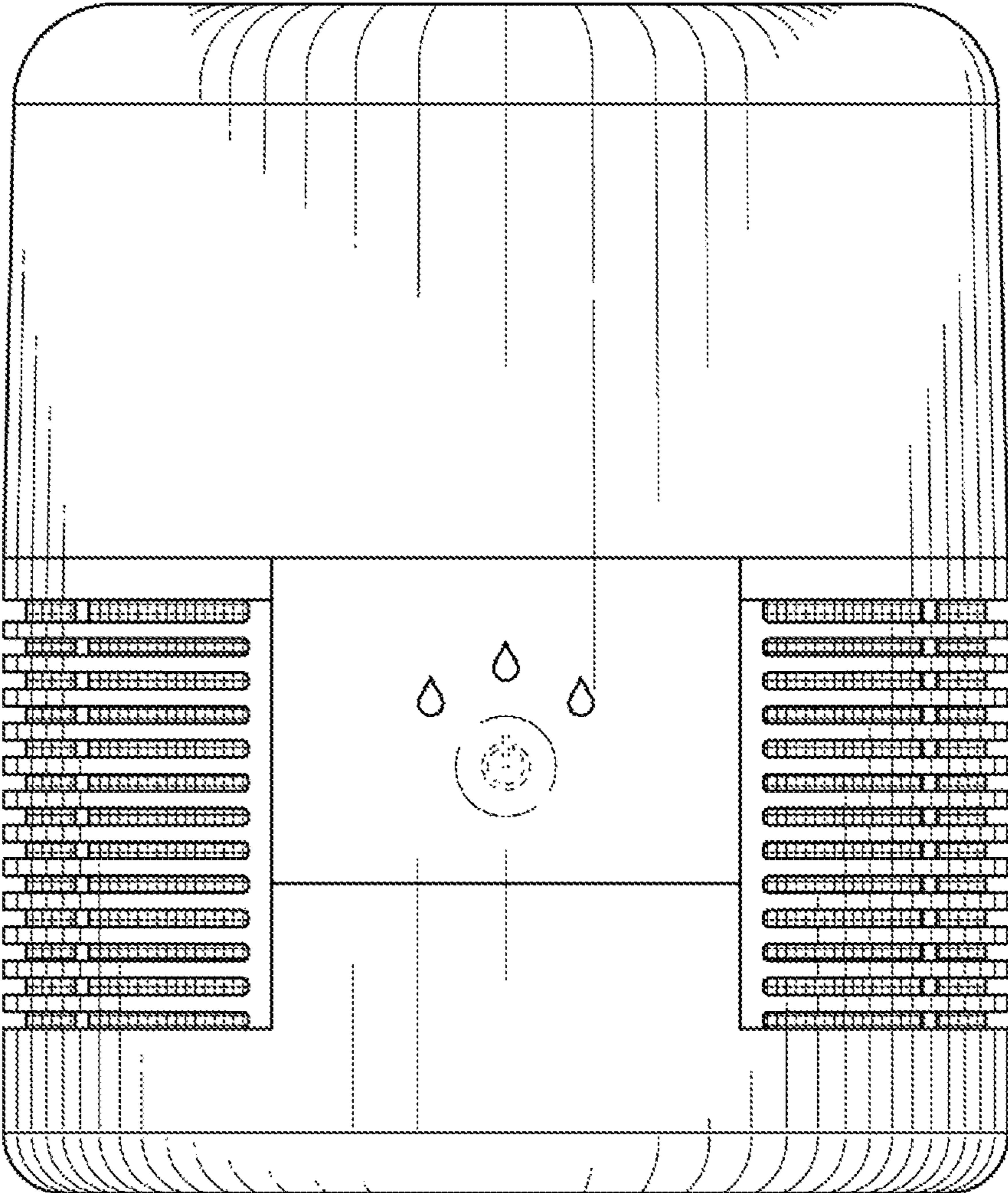


FIG. 3

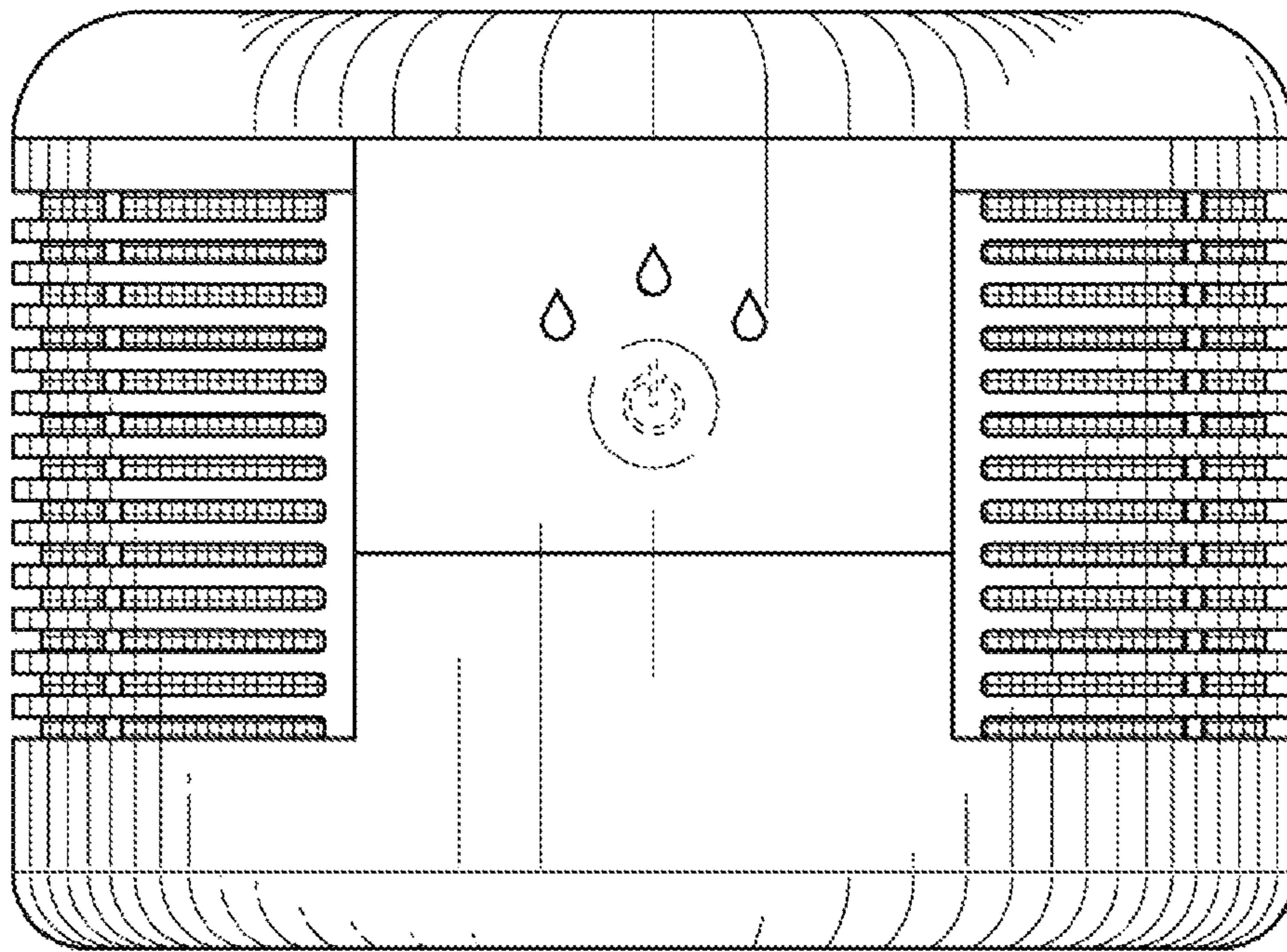


FIG. 4

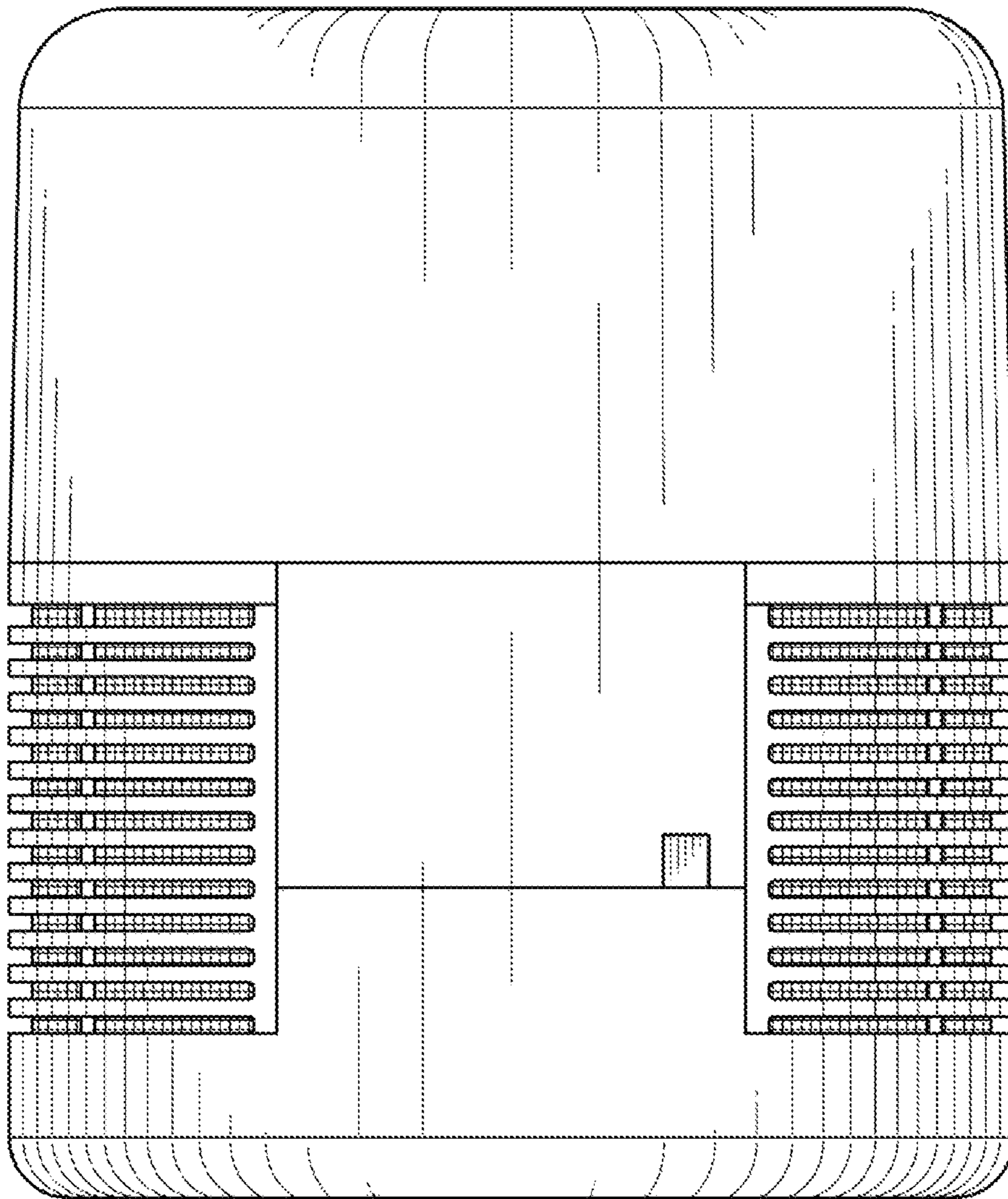


FIG. 5

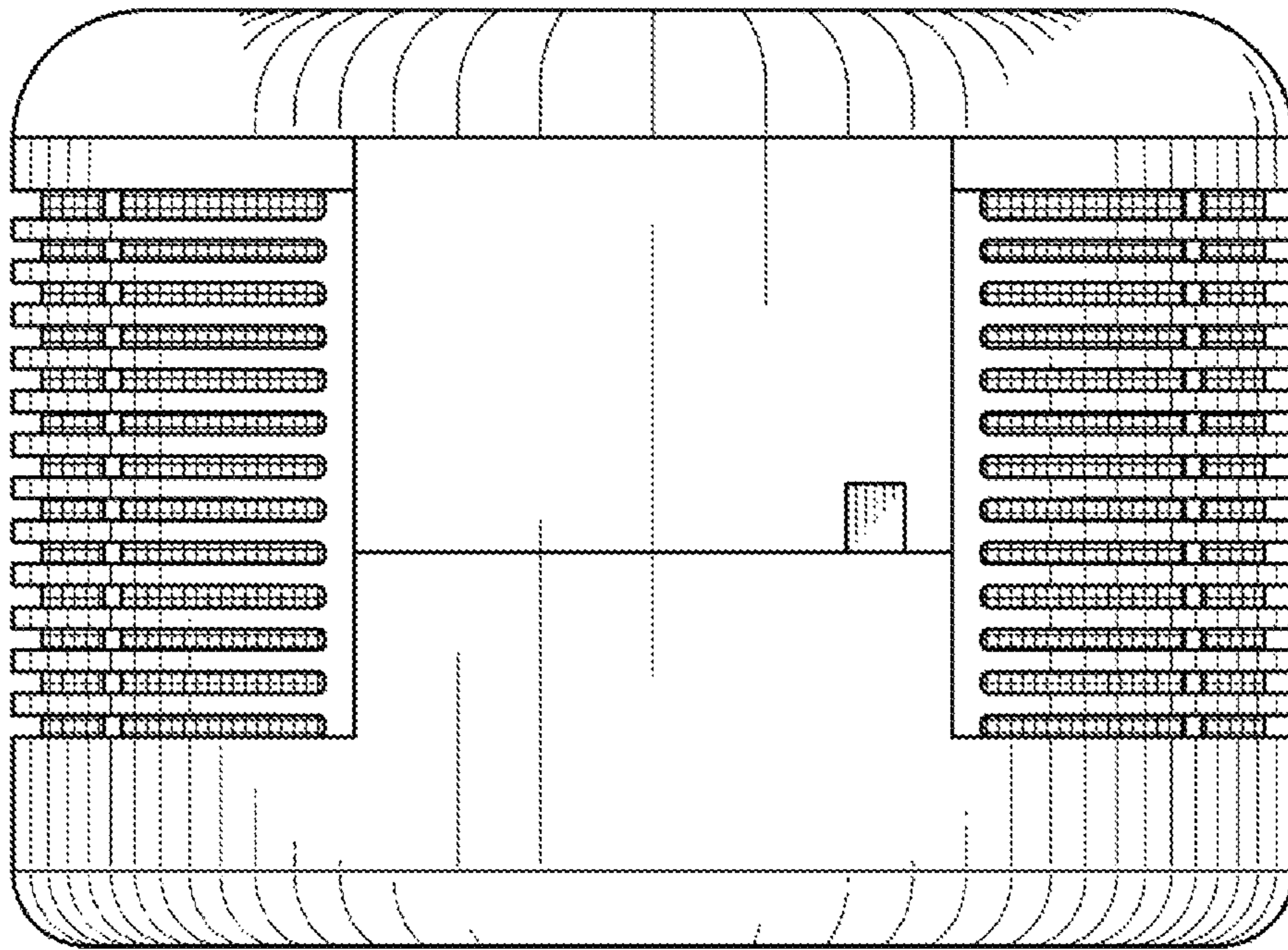


FIG. 6

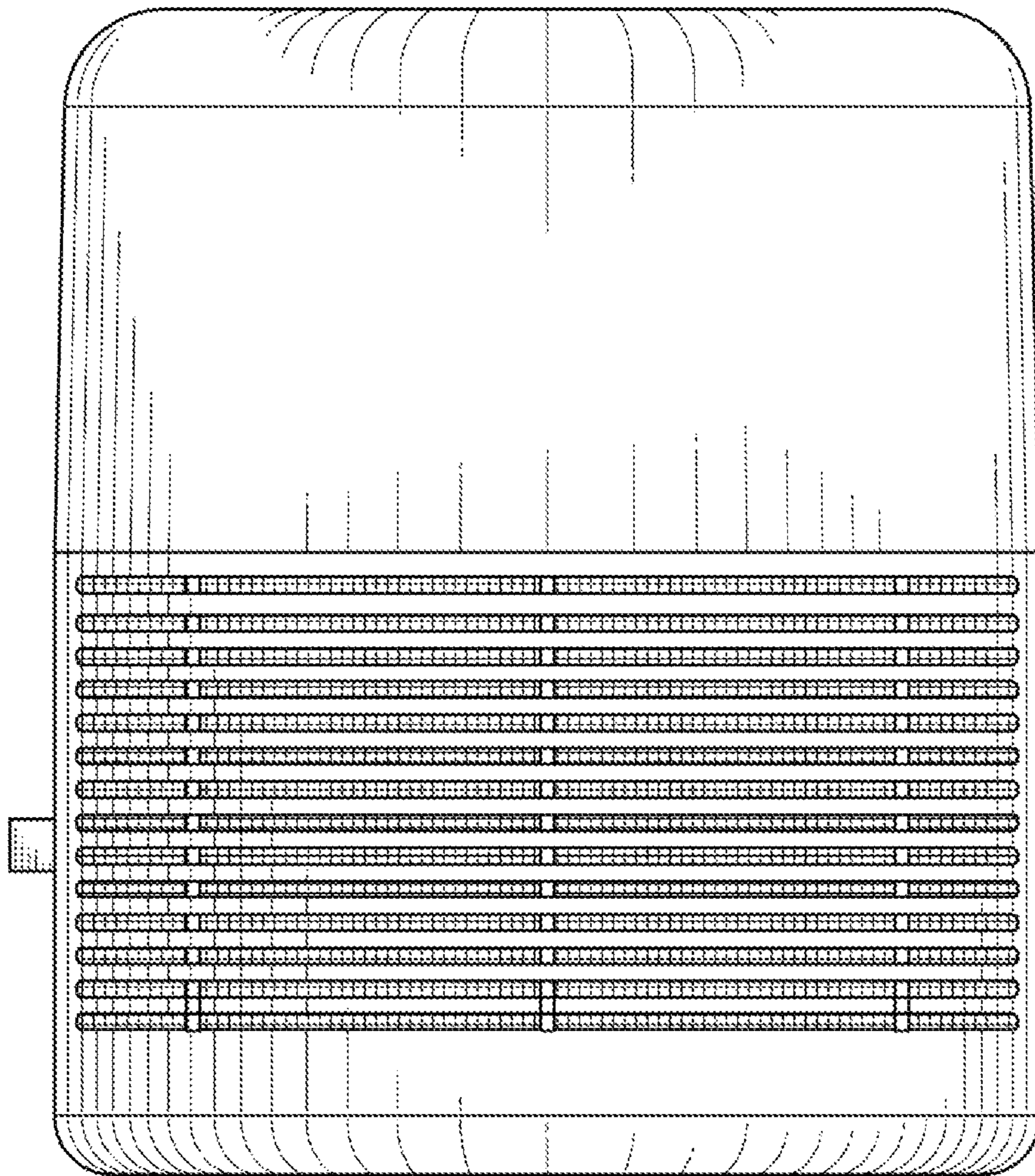


FIG. 7

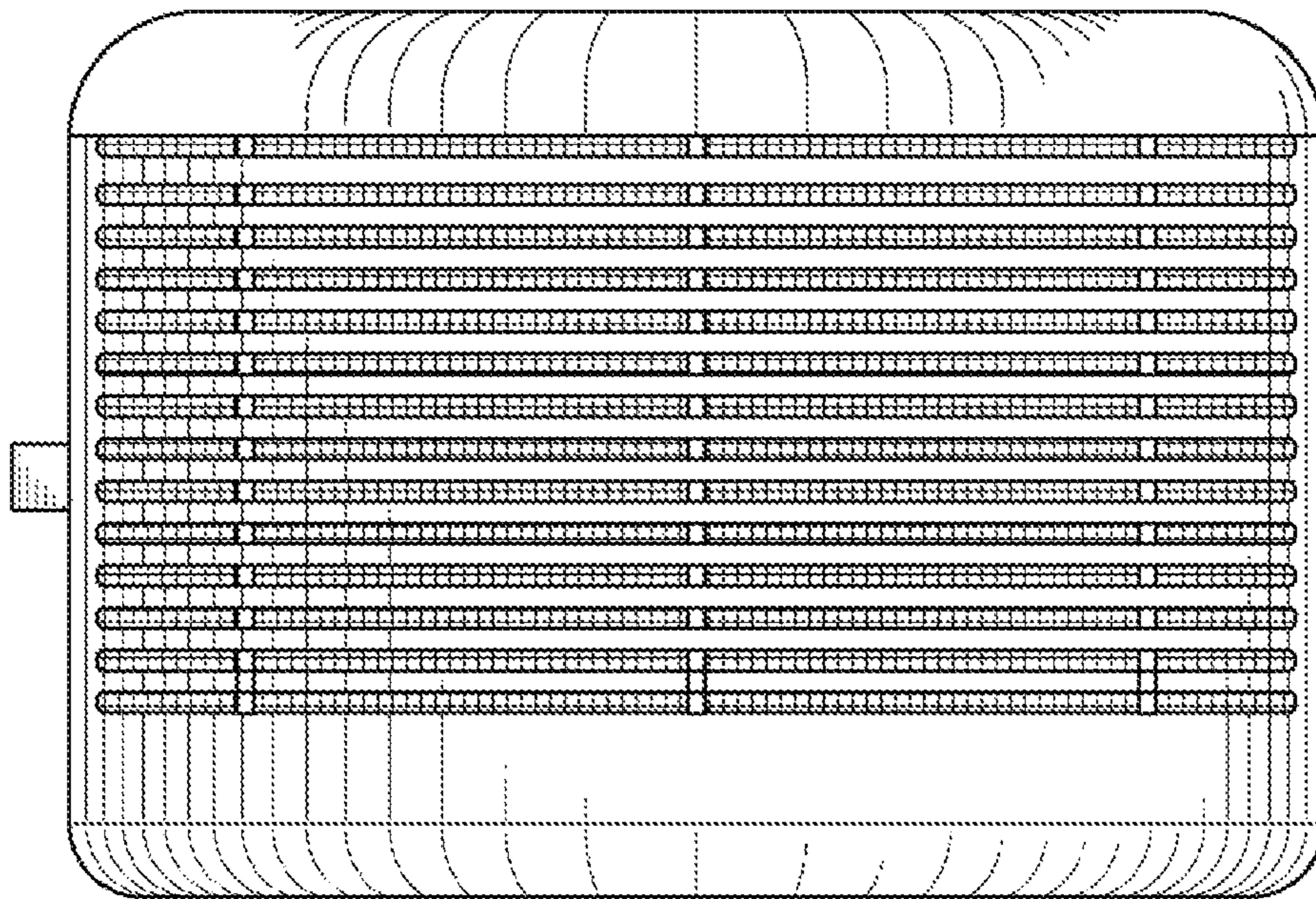


FIG. 8

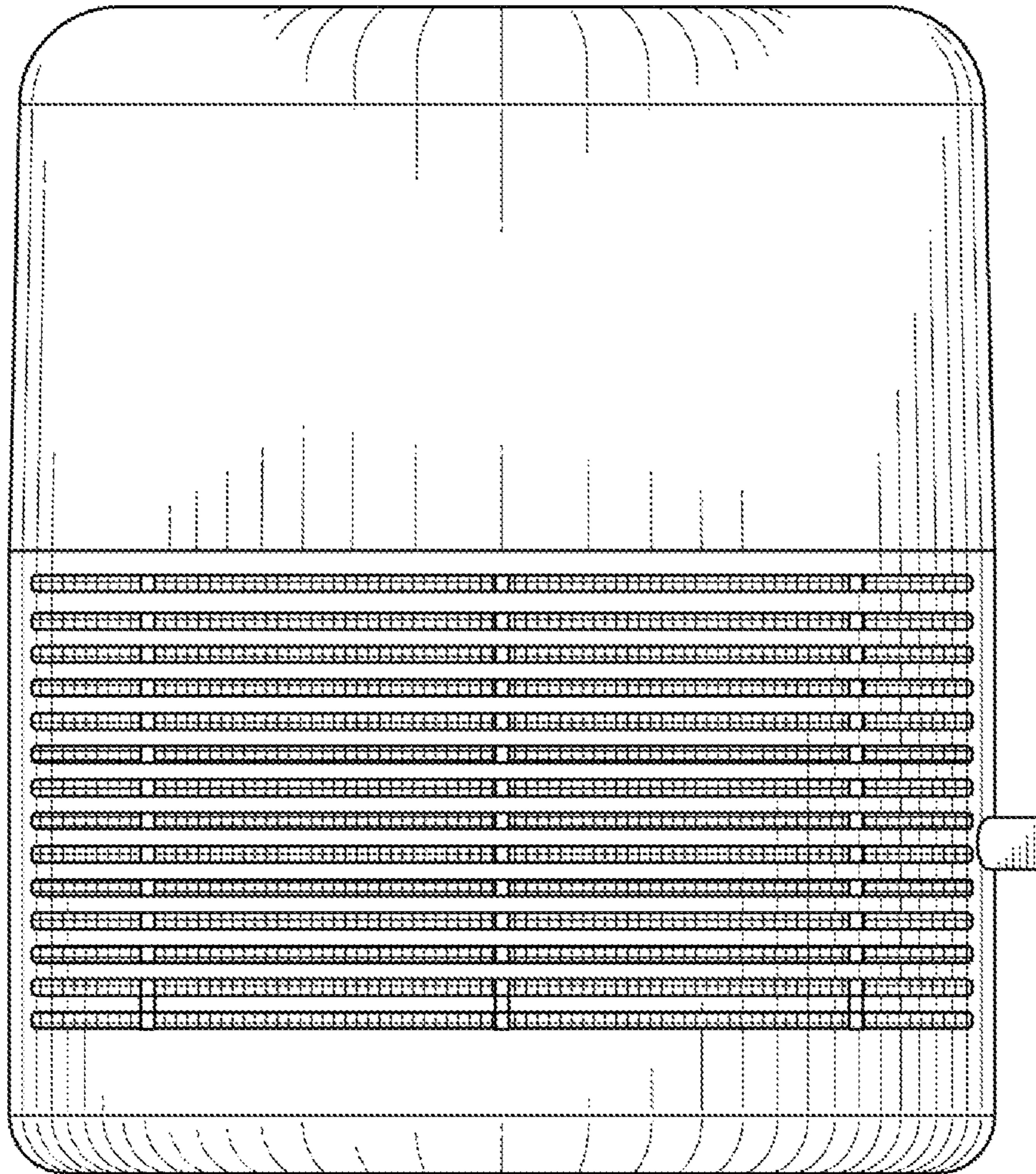


FIG. 9

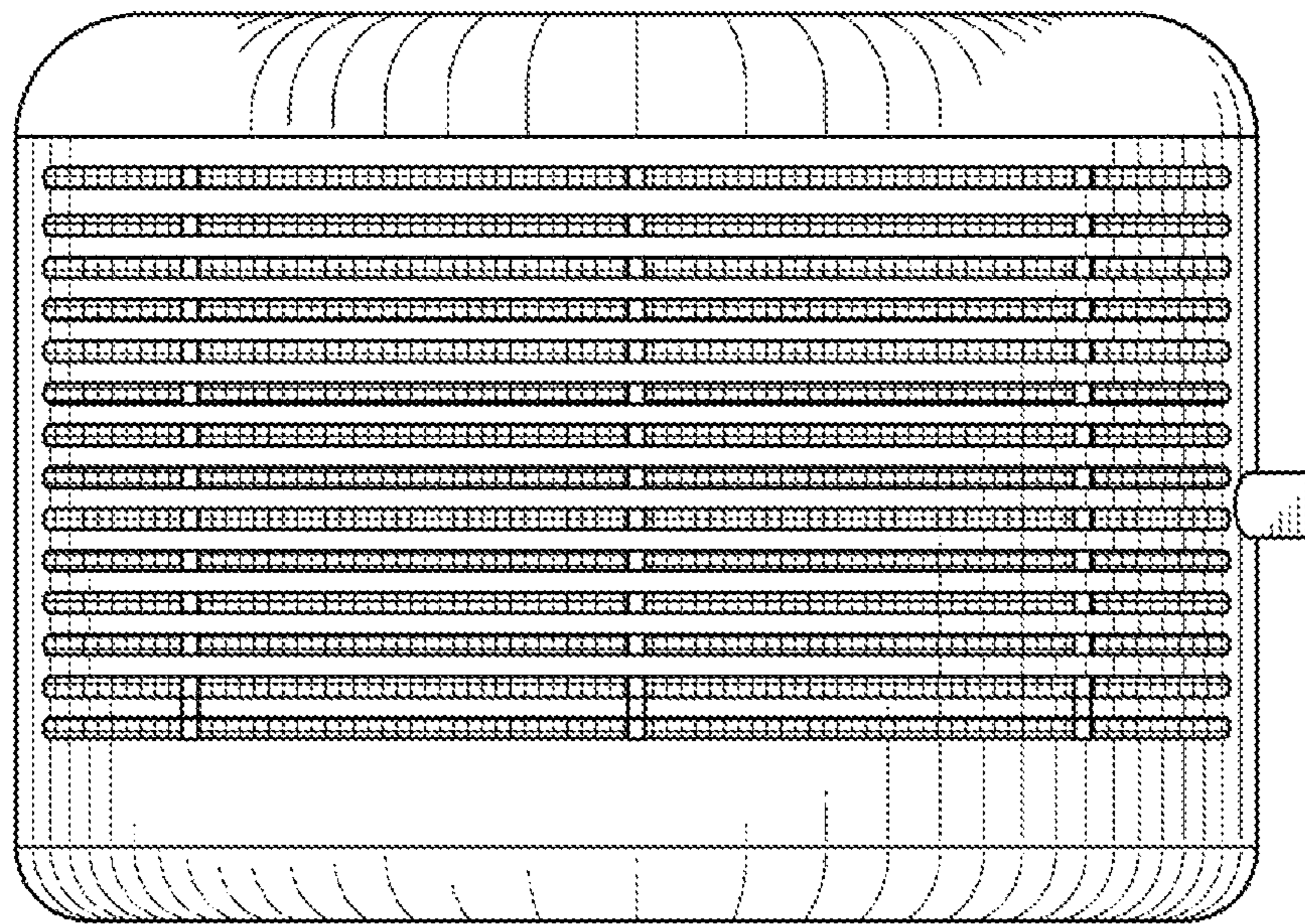


FIG. 10

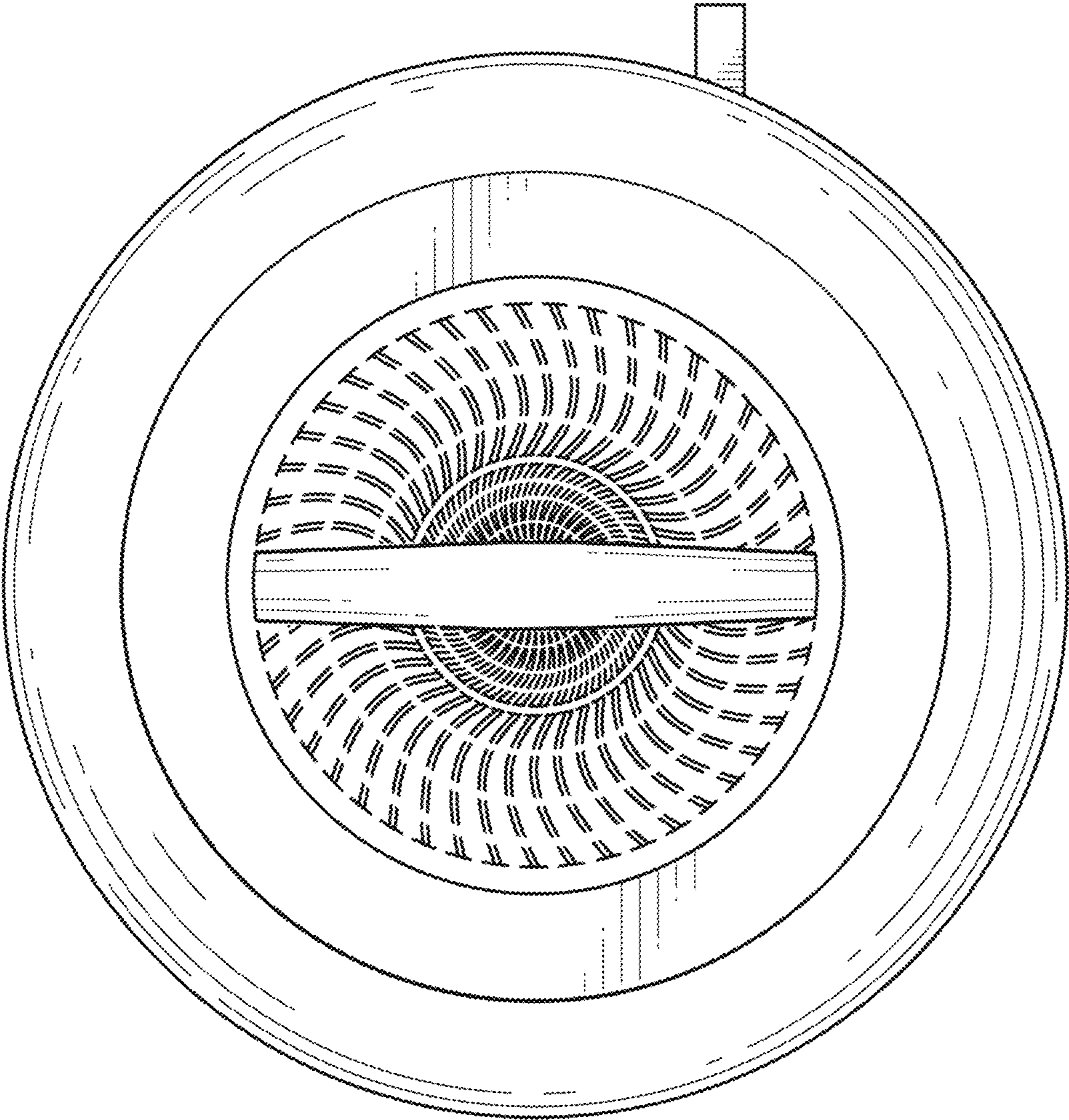


FIG. 11

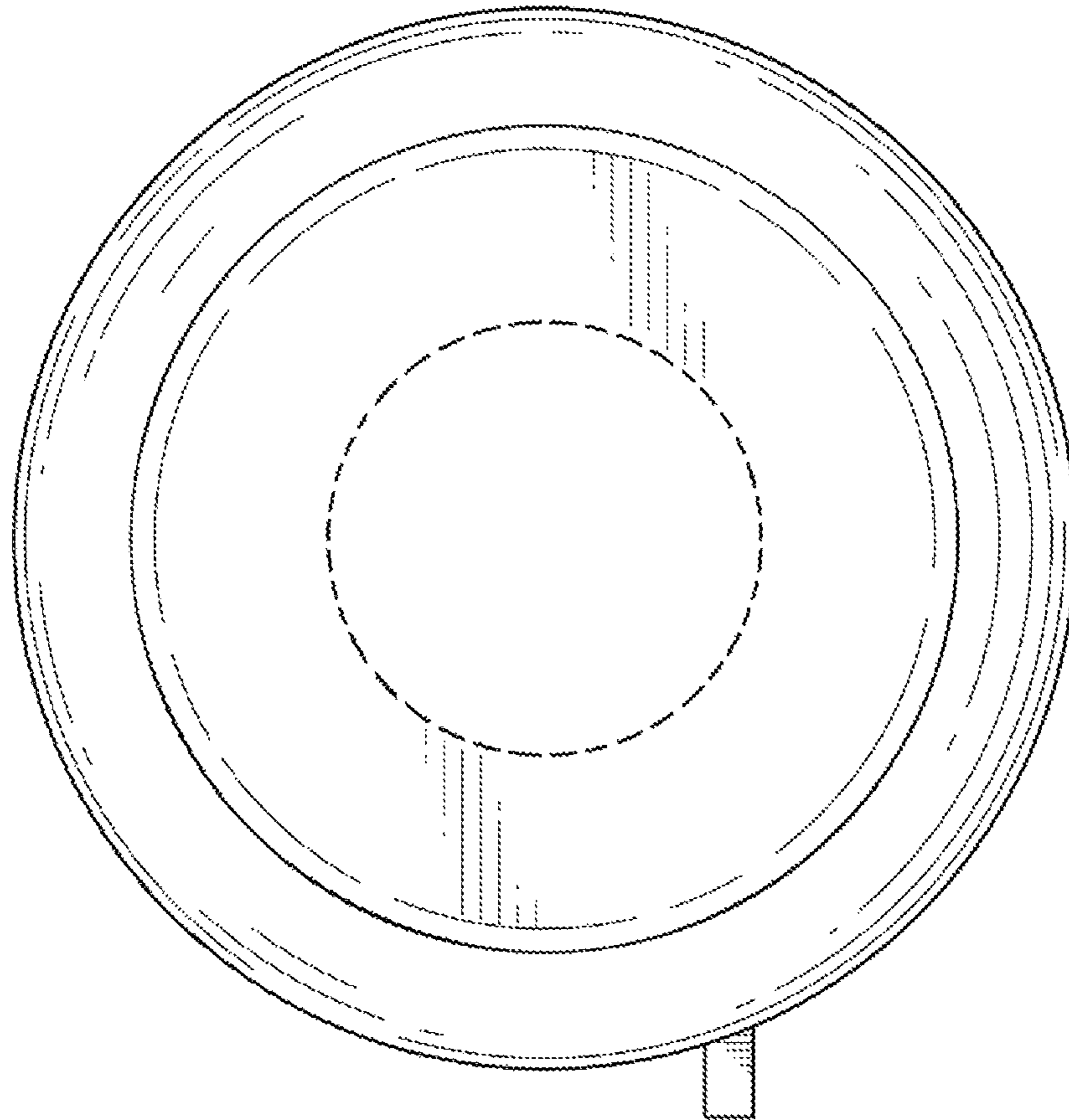


FIG. 12