



US00D886264S

(12) **United States Design Patent**  
**Urano**

(10) **Patent No.:** **US D886,264 S**  
(45) **Date of Patent:** **\*\* \*Jun. 2, 2020**

(54) **CEILING ATTACHING TYPE AIR  
CONDITIONER**

(71) Applicant: **KIMURA KOHKI CO., LTD.**,  
Osaka-shi, Osaka (JP)

(72) Inventor: **Katsuhiro Urano**, Sakai (JP)

(73) Assignee: **KIMURA KOHKI CO., LTD.**,  
Osaka-Shi, Osaka (JP)

(\*) Notice: This patent is subject to a terminal dis-  
claimer.

(\*\*) Term: **15 Years**

(21) Appl. No.: **29/662,294**

(22) Filed: **Sep. 4, 2018**

(30) **Foreign Application Priority Data**

Mar. 5, 2018 (JP) ..... 2018-004479

(51) **LOC (12) Cl.** ..... **23-04**

(52) **U.S. Cl.**  
USPC ..... **D23/351**

(58) **Field of Classification Search**  
USPC ..... D23/333, 351-354, 388  
CPC .... F24F 1/00; F24F 1/0007; F24F 1/02; F24F  
1/08; F24F 1/42; F24F 1/56; F24F 1/60;  
F24F 3/044; F24F 3/048; F24F 3/16;  
G05D 23/1905; G05D 23/1932; G05D  
23/1902; G05D 23/1931; G05B 19/0426;  
G05B 19/409; G05B 15/02

See application file for complete search history.

(56) **References Cited**

**U.S. PATENT DOCUMENTS**

D314,820 S \* 2/1991 Sullivan ..... D23/393  
D319,499 S \* 8/1991 Hague ..... D23/370

D387,859 S \* 12/1997 Ukai ..... D23/370  
D663,828 S \* 7/2012 Portillo ..... D23/371  
D674,474 S \* 1/2013 Rentschler ..... D23/364  
D695,951 S \* 12/2013 Miyatake ..... D26/120  
D714,927 S \* 10/2014 Urano ..... D23/388  
D714,928 S \* 10/2014 Urano ..... D23/388  
D723,675 S \* 3/2015 Paskow ..... D23/354  
D801,924 S \* 11/2017 Priem ..... D13/112  
D805,177 S \* 12/2017 Urano ..... D23/388  
D805,178 S \* 12/2017 Urano ..... D23/388  
D805,179 S \* 12/2017 Urano ..... D23/388  
D806,854 S \* 1/2018 Urano ..... D23/388  
D807,495 S \* 1/2018 Hirsch ..... D23/393

(Continued)

*Primary Examiner* — Natasha Vujcic

(74) *Attorney, Agent, or Firm* — Alleman Hall Creasman  
& Tuttle LLP

(57) **CLAIM**

The ornamental design for a ceiling attaching type air  
conditioner, as shown and described.

**DESCRIPTION**

FIG. 1 is a front view of a ceiling attaching type air  
conditioner showing my new design.

FIG. 2 is a rear view of the ceiling attaching type air  
conditioner of FIG. 1.

FIG. 3 is a left side view of the ceiling attaching type air  
conditioner of FIG. 1.

FIG. 4 is a right side view of the ceiling attaching type air  
conditioner of FIG. 1.

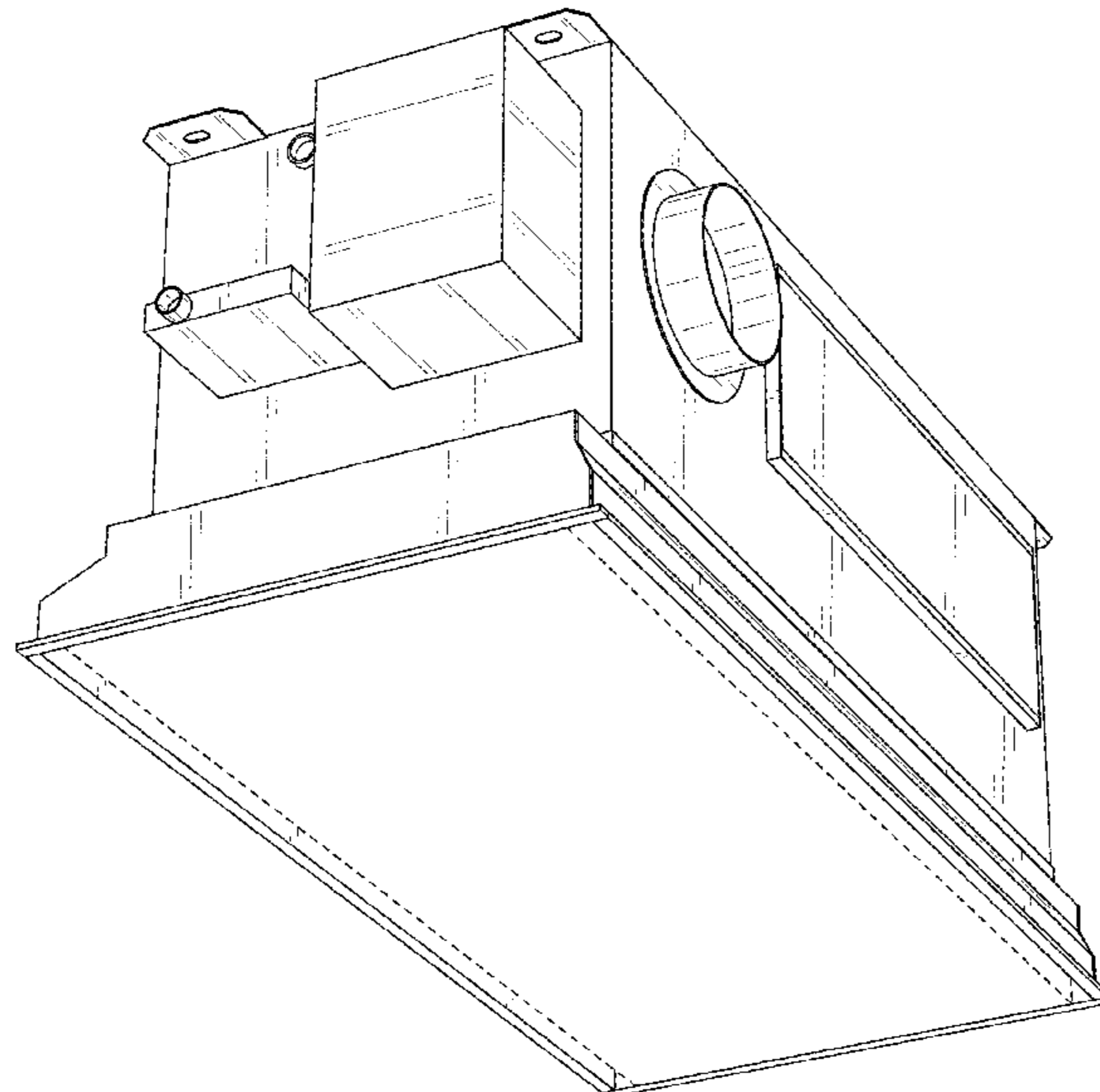
FIG. 5 is a top view of the ceiling attaching type air  
conditioner of FIG. 1.

FIG. 6 is a bottom view of the ceiling attaching type air  
conditioner of FIG. 1; and,

FIG. 7 is a perspective view of the ceiling attaching type air  
conditioner of FIG. 1.

The broken lines illustrating the radiation panel of the  
ceiling attaching type air conditioner form no part of the  
claimed design.

**1 Claim, 4 Drawing Sheets**



(56)

**References Cited**

U.S. PATENT DOCUMENTS

D814,623 S \* 4/2018 Urano ..... D23/387  
D815,265 S \* 4/2018 Seifert ..... D23/351

\* cited by examiner

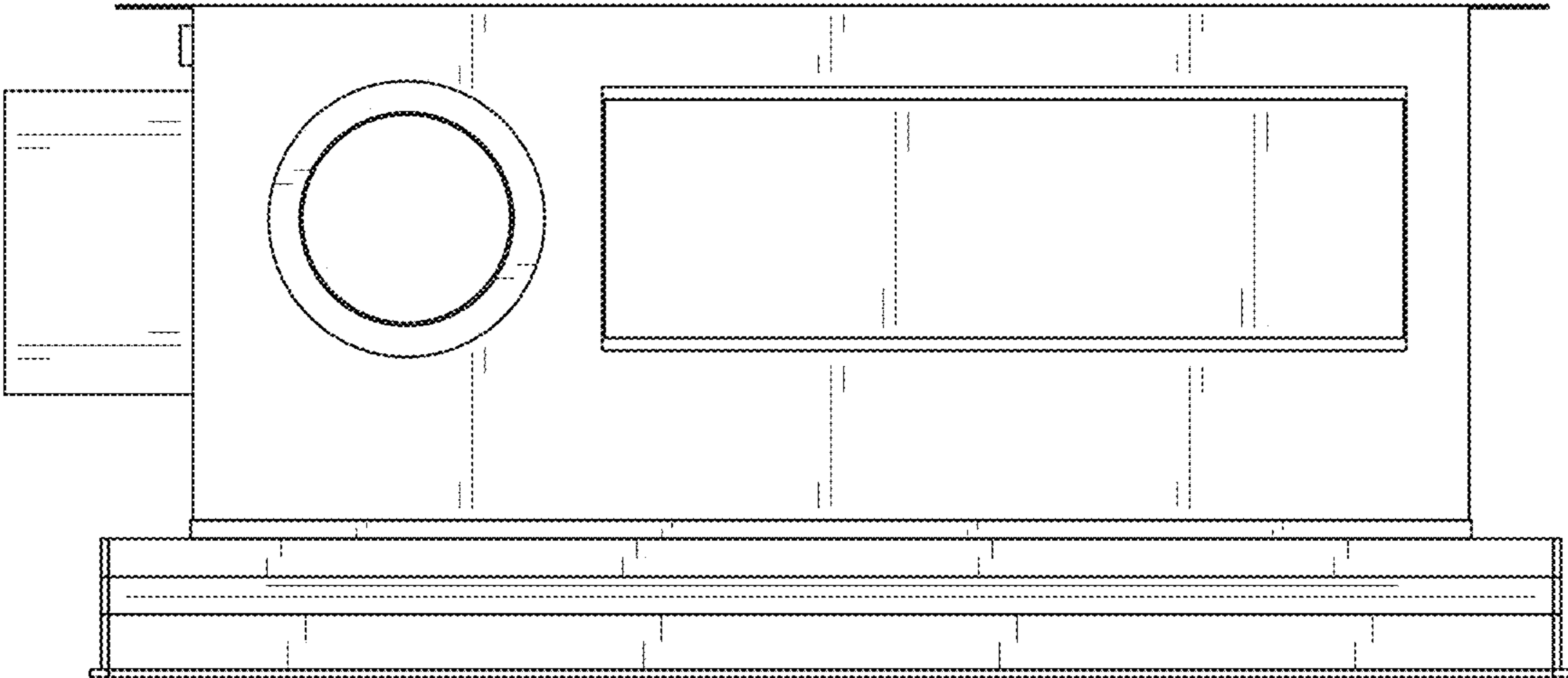


FIG. 1

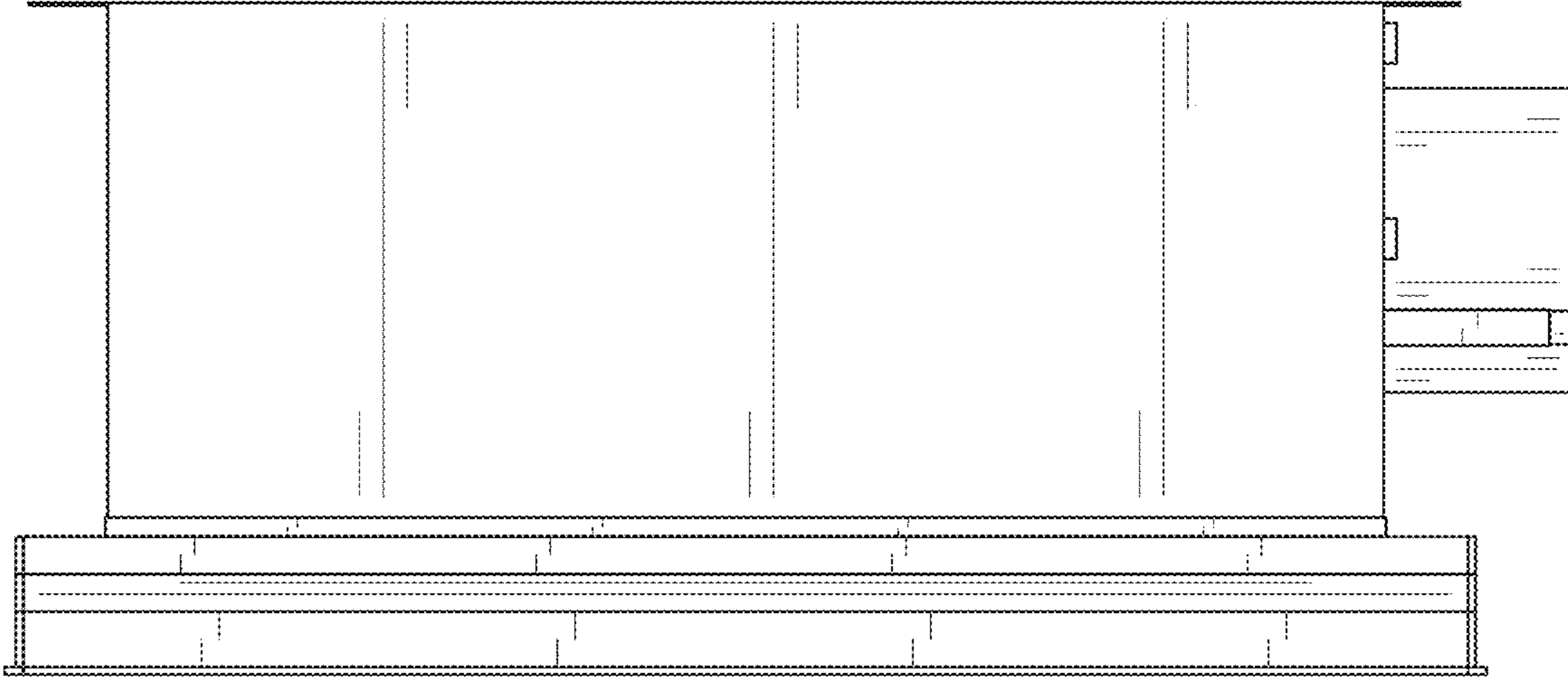


FIG. 2

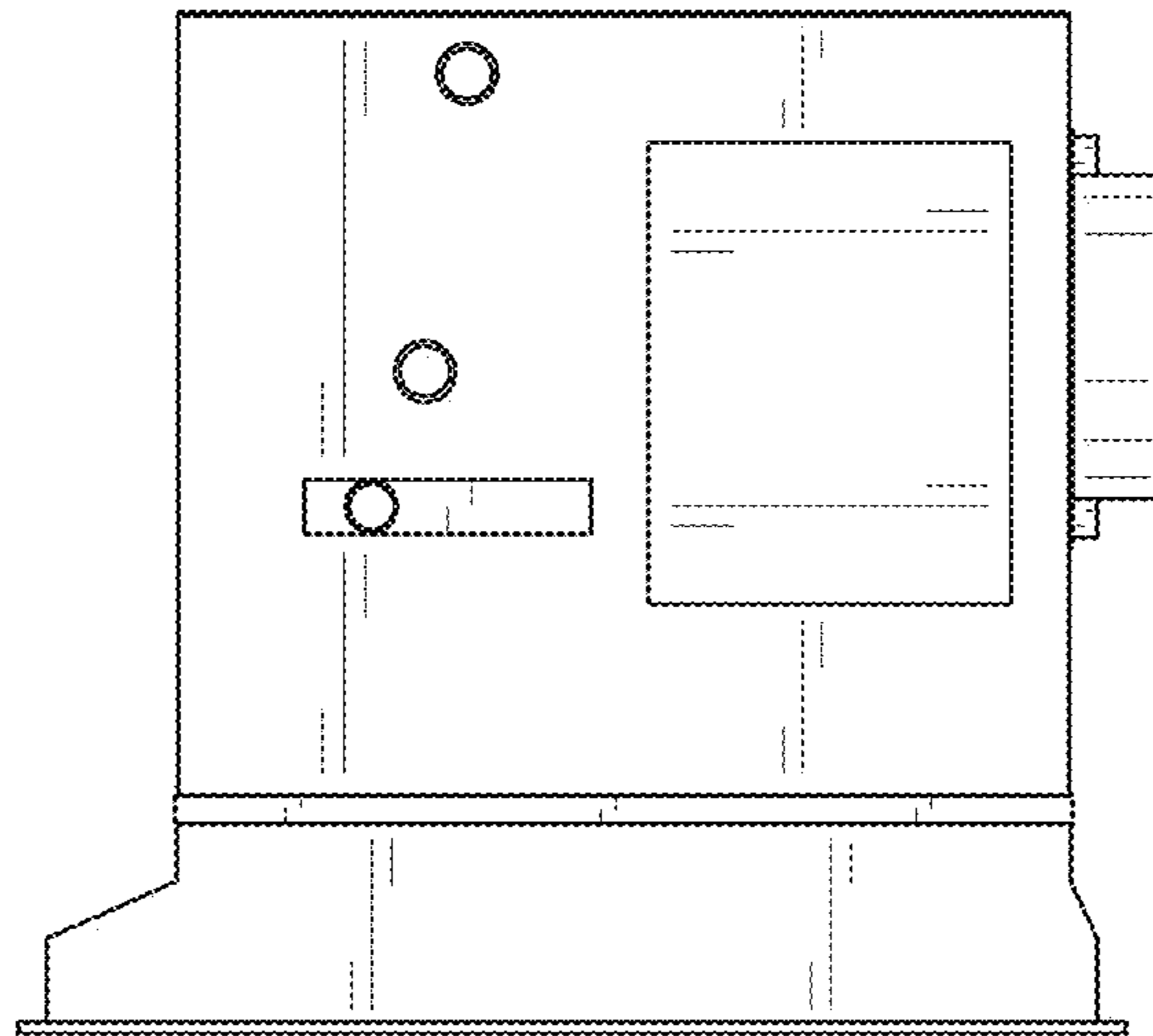


FIG. 3

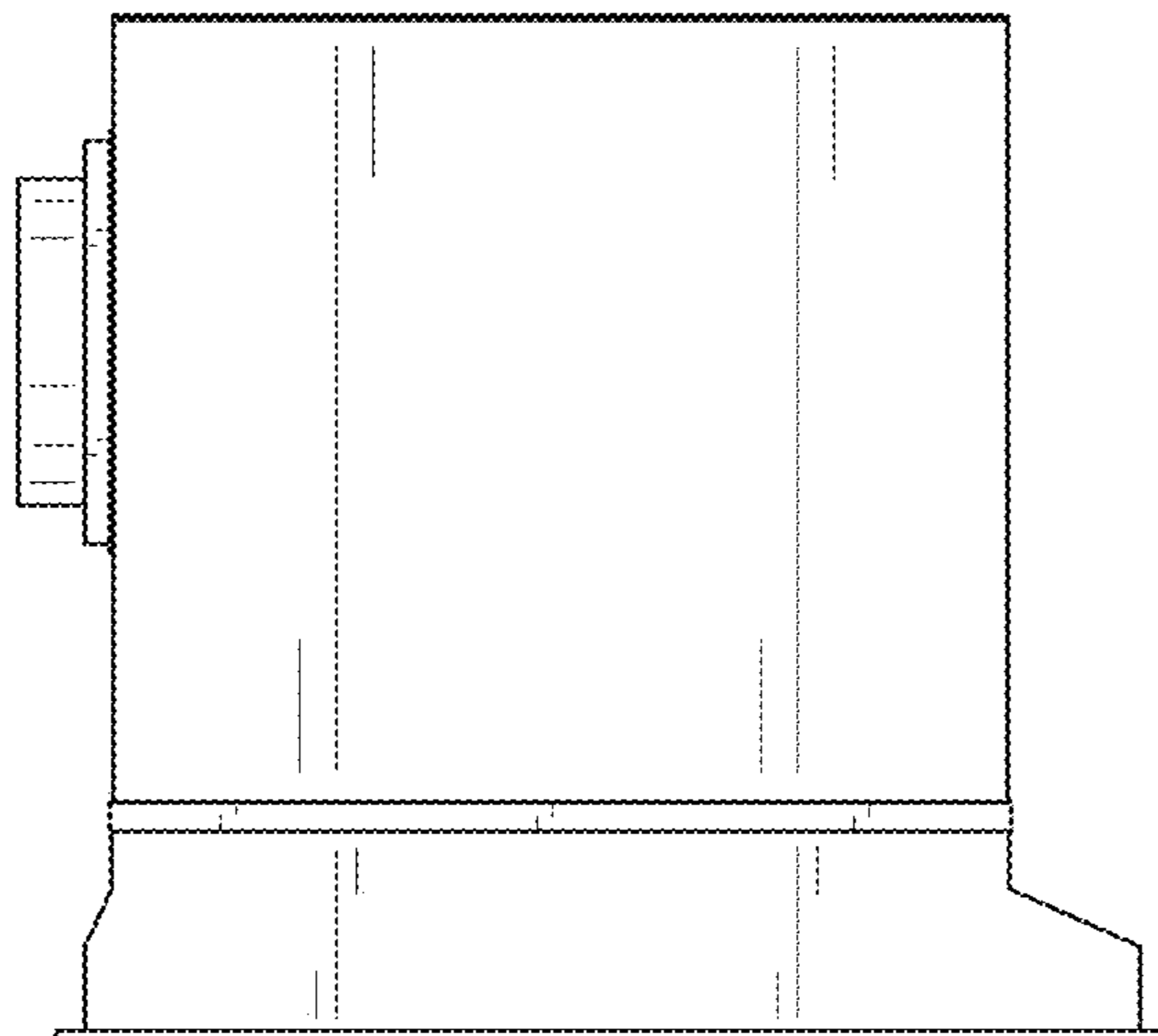


FIG. 4

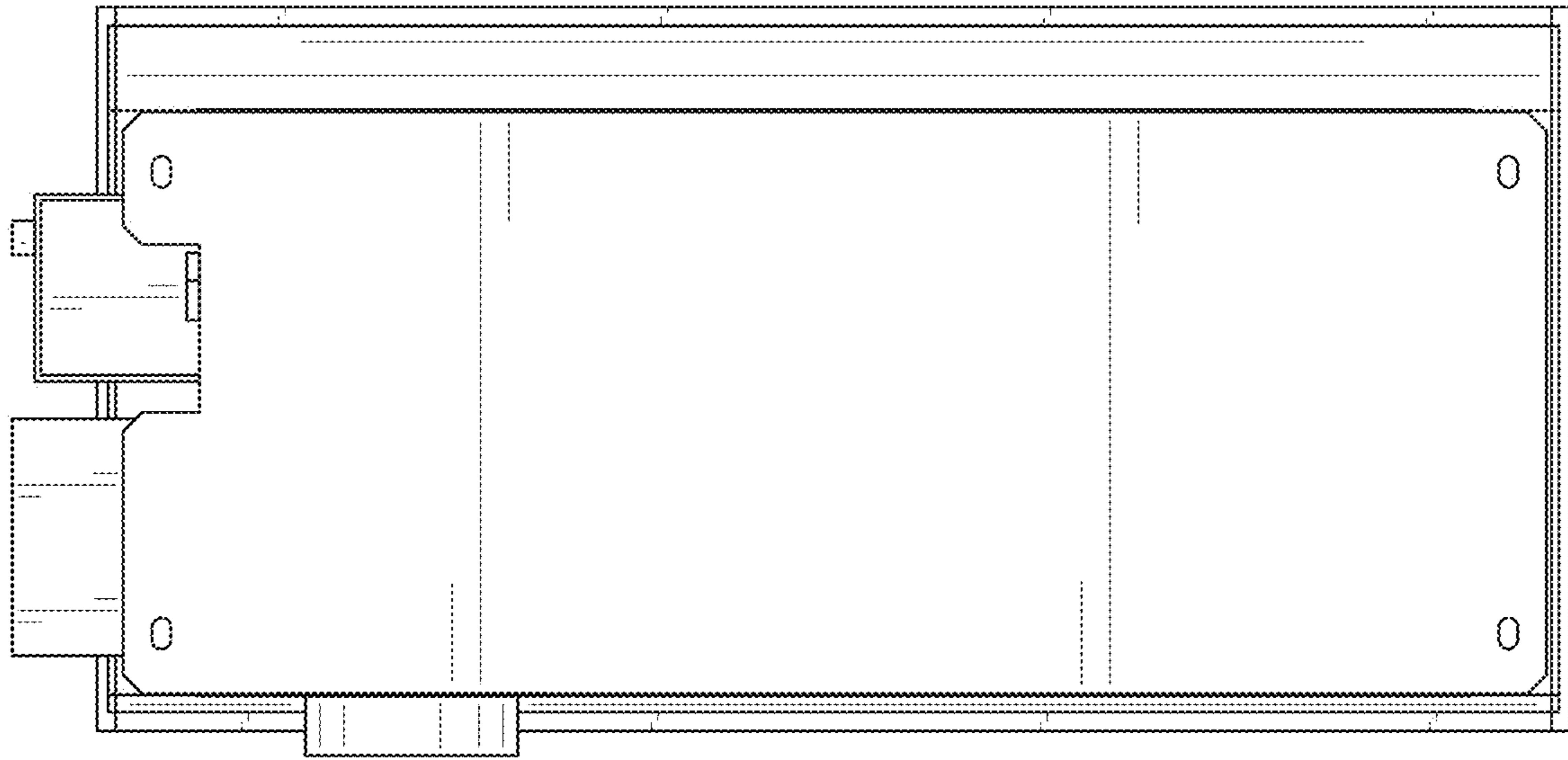


FIG. 5

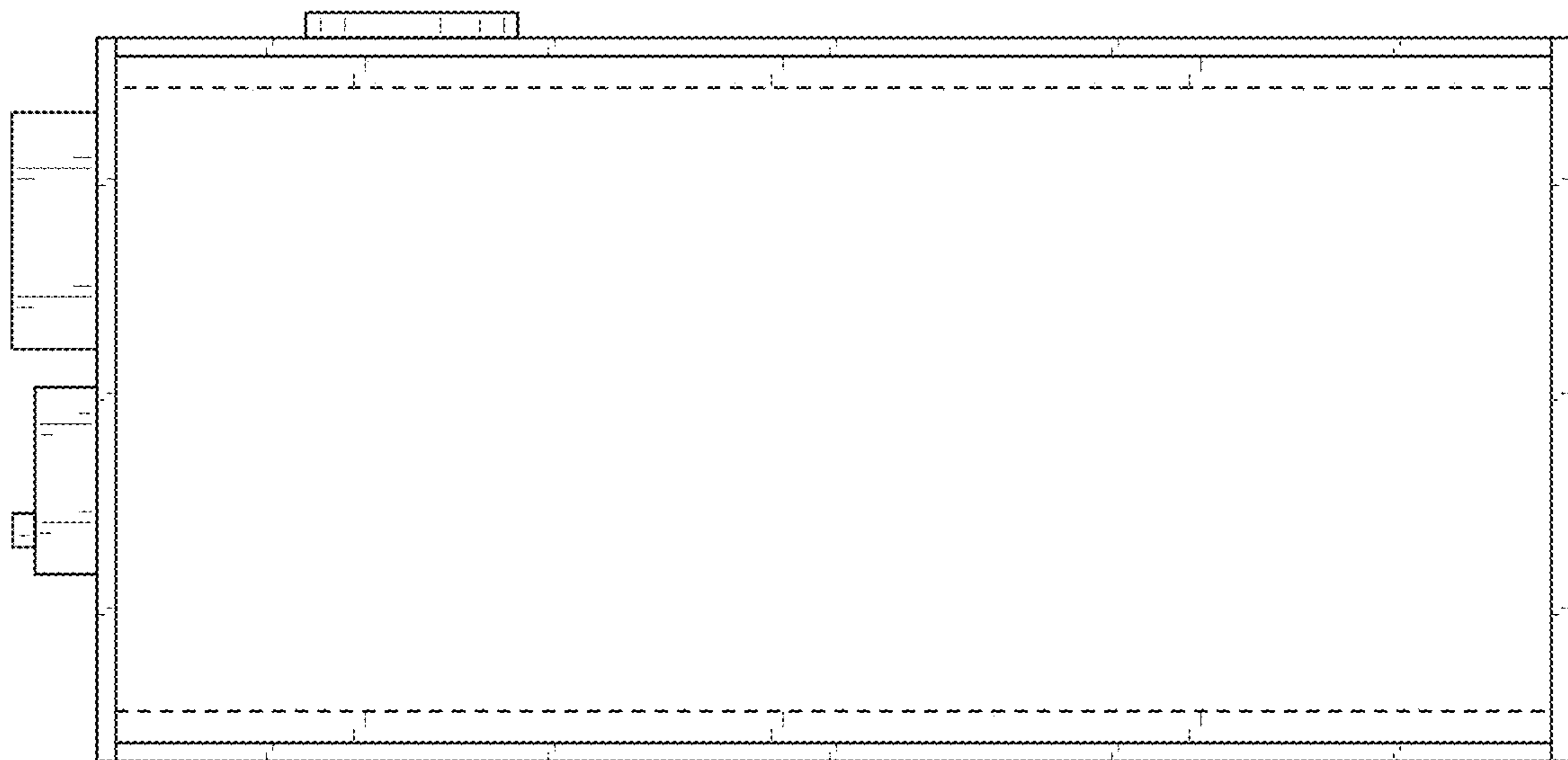


FIG. 6

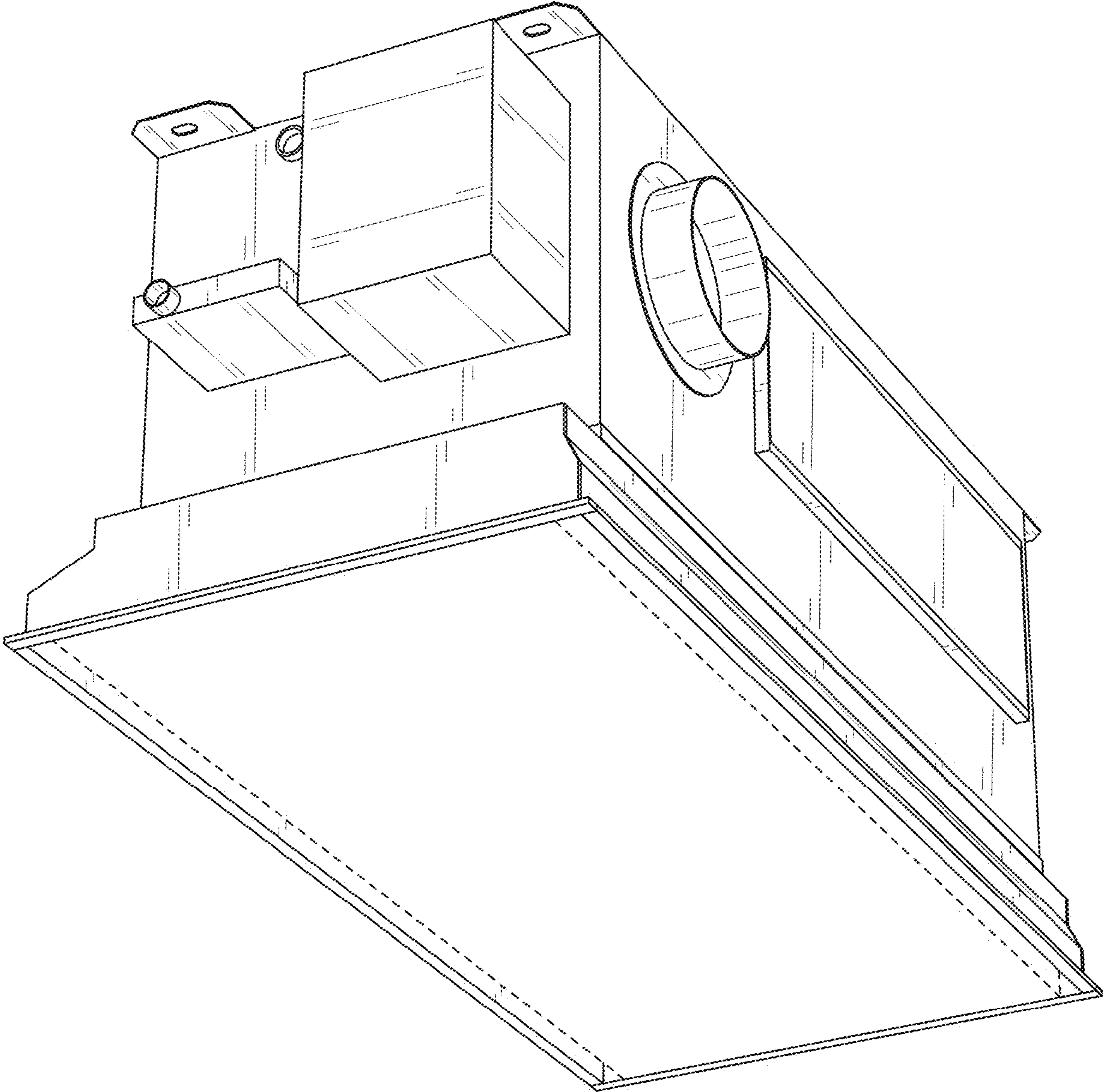


FIG. 7