



US00D886263S

(12) **United States Design Patent**
Urano

(10) **Patent No.:** **US D886,263 S**
(45) **Date of Patent:** **** *Jun. 2, 2020**

- (54) **CEILING ATTACHING TYPE AIR CONDITIONER**
- (71) Applicant: **KIMURA KOHKI CO., LTD.**,
Osaka-shi, Osaka (JP)
- (72) Inventor: **Katsuhiko Urano**, Sakai (JP)
- (73) Assignee: **KIMURA KOHKI CO., LTD.**,
Osaka-Shi, Osaka (JP)
- (*) Notice: This patent is subject to a terminal disclaimer.

D387,859 S *	12/1997	Ukai	D23/370
D663,828 S *	7/2012	Portillo	D23/371
D674,474 S *	1/2013	Rentschler	D23/364
D695,951 S *	12/2013	Miyatake	D26/120
D714,927 S *	10/2014	Urano	D23/388
D714,928 S *	10/2014	Urano	D23/388
D723,675 S *	3/2015	Paskow	D23/354
D801,924 S *	11/2017	Priem	D13/112
D805,177 S *	12/2017	Urano	D23/388
D805,178 S *	12/2017	Urano	D23/388
D805,179 S *	12/2017	Urano	D23/388
D806,854 S *	1/2018	Urano	D23/388
D807,495 S *	1/2018	Hirsch	D23/393
D814,623 S *	4/2018	Urano	D23/387
D815,265 S *	4/2018	Seifert	D23/351

* cited by examiner

- (**) Term: **15 Years**
- (21) Appl. No.: **29/662,293**
- (22) Filed: **Sep. 4, 2018**

Primary Examiner — Natasha Vujcic
(74) *Attorney, Agent, or Firm* — Alleman Hall Creasman & Tuttle LLP

(30) **Foreign Application Priority Data**

Mar. 5, 2018 (JP) 2018-004483

- (51) **LOC (12) Cl.** **23-04**
- (52) **U.S. Cl.**
USPC **D23/351**

(57) **CLAIM**

The ornamental design for a ceiling attaching type air conditioner, as shown and described.

- (58) **Field of Classification Search**
USPC D23/333, 351–354, 388
CPC F24F 1/00; F24F 1/0007; F24F 1/02; F24F 1/08; F24F 1/42; F24F 1/56; F24F 1/60; F24F 3/044; F24F 3/048; F24F 3/16; G05D 23/1905; G05D 23/1932; G05D 23/1902; G05D 23/1931; G05B 19/0426; G05B 19/409; G05B 15/02
See application file for complete search history.

DESCRIPTION

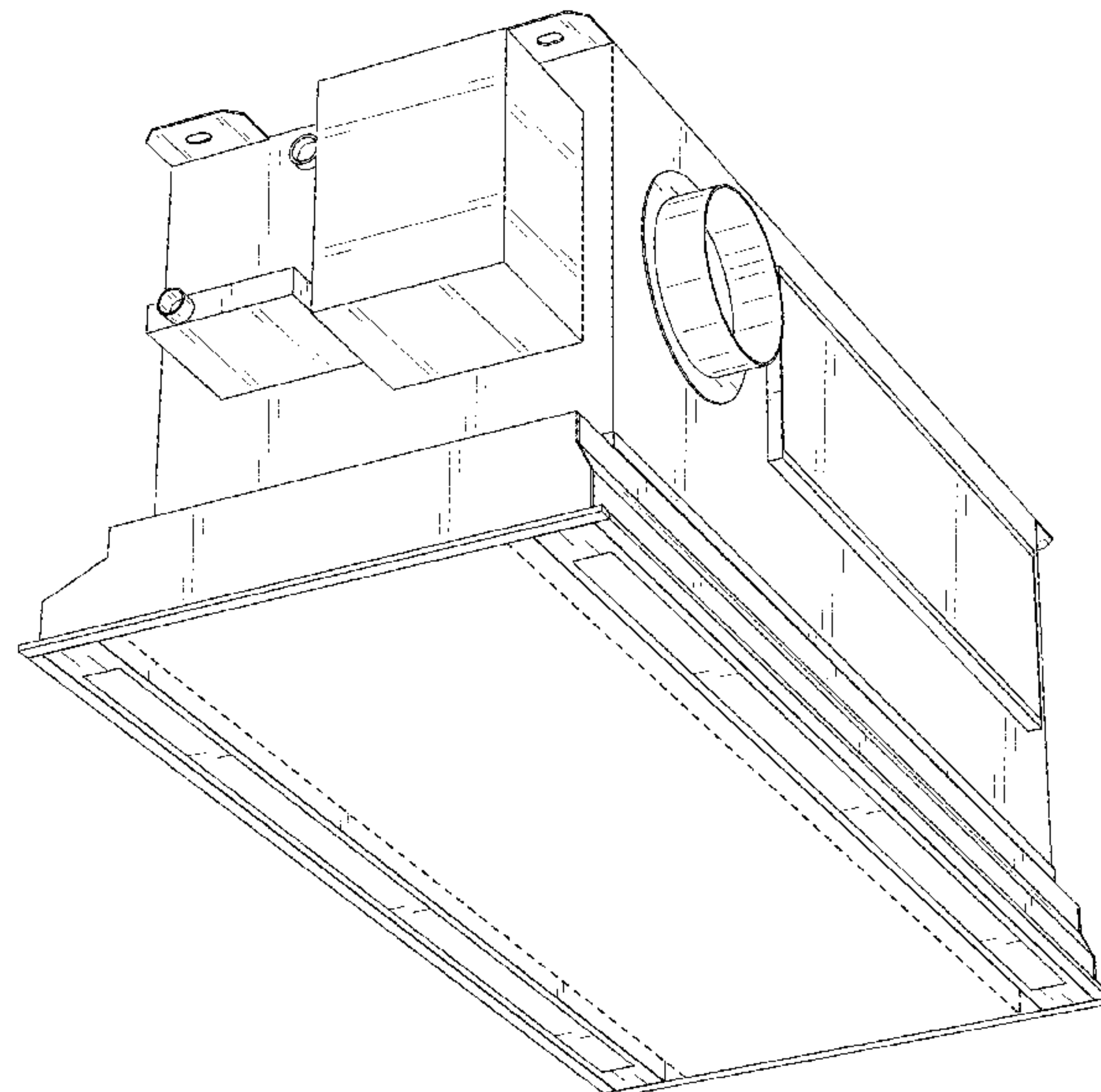
FIG. 1 is a front view of a ceiling attaching type air conditioner showing my new design.
 FIG. 2 is a rear view of the ceiling attaching type air conditioner of FIG. 1.
 FIG. 3 is a left side view of the ceiling attaching type air conditioner of FIG. 1.
 FIG. 4 is a right side view of the ceiling attaching type air conditioner of FIG. 1.
 FIG. 5 is a top view of the ceiling attaching type air conditioner of FIG. 1.
 FIG. 6 is a bottom view of the ceiling attaching type air conditioner of FIG. 1; and,
 FIG. 7 is a perspective view of the ceiling attaching type air conditioner of FIG. 1.

(56) **References Cited**

U.S. PATENT DOCUMENTS

- D314,820 S * 2/1991 Sullivan D23/393
- D319,499 S * 8/1991 Hague D23/370

1 Claim, 4 Drawing Sheets



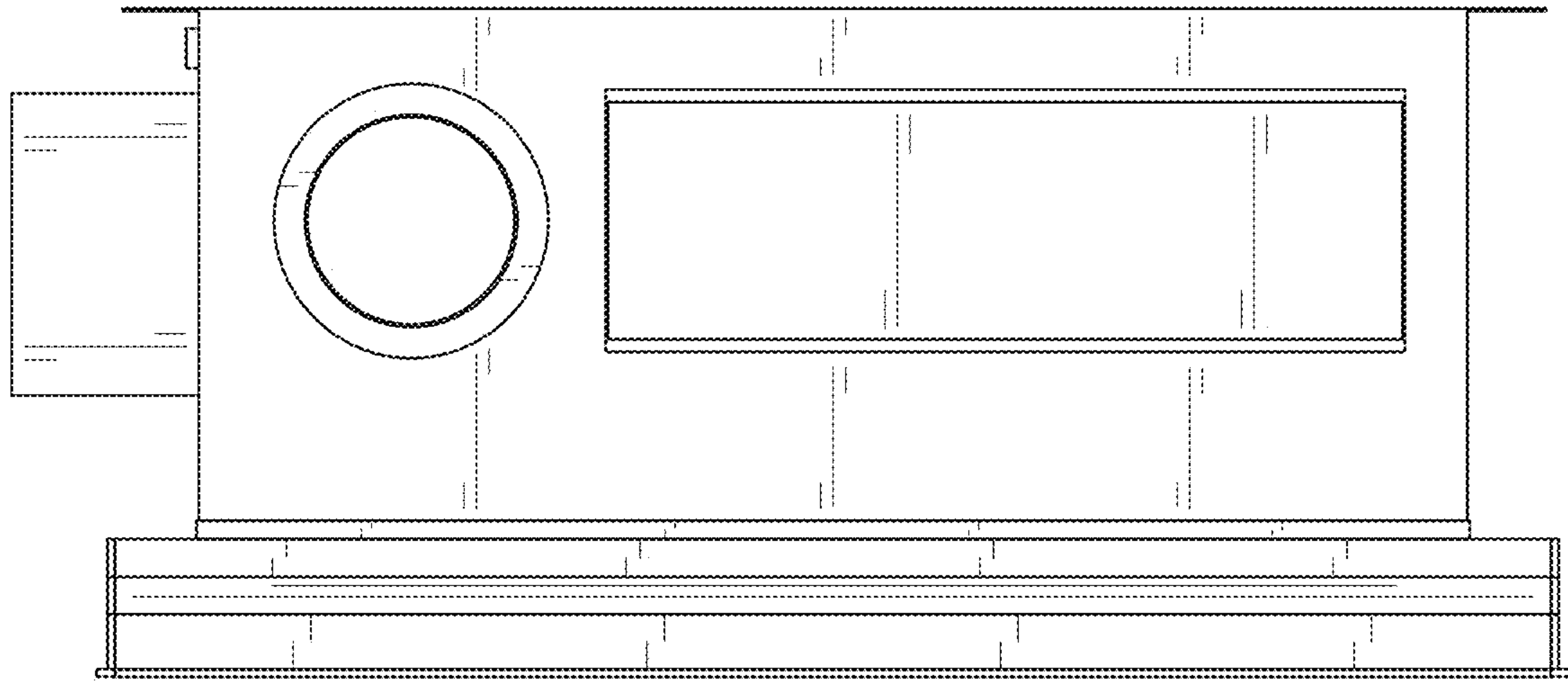


FIG. 1

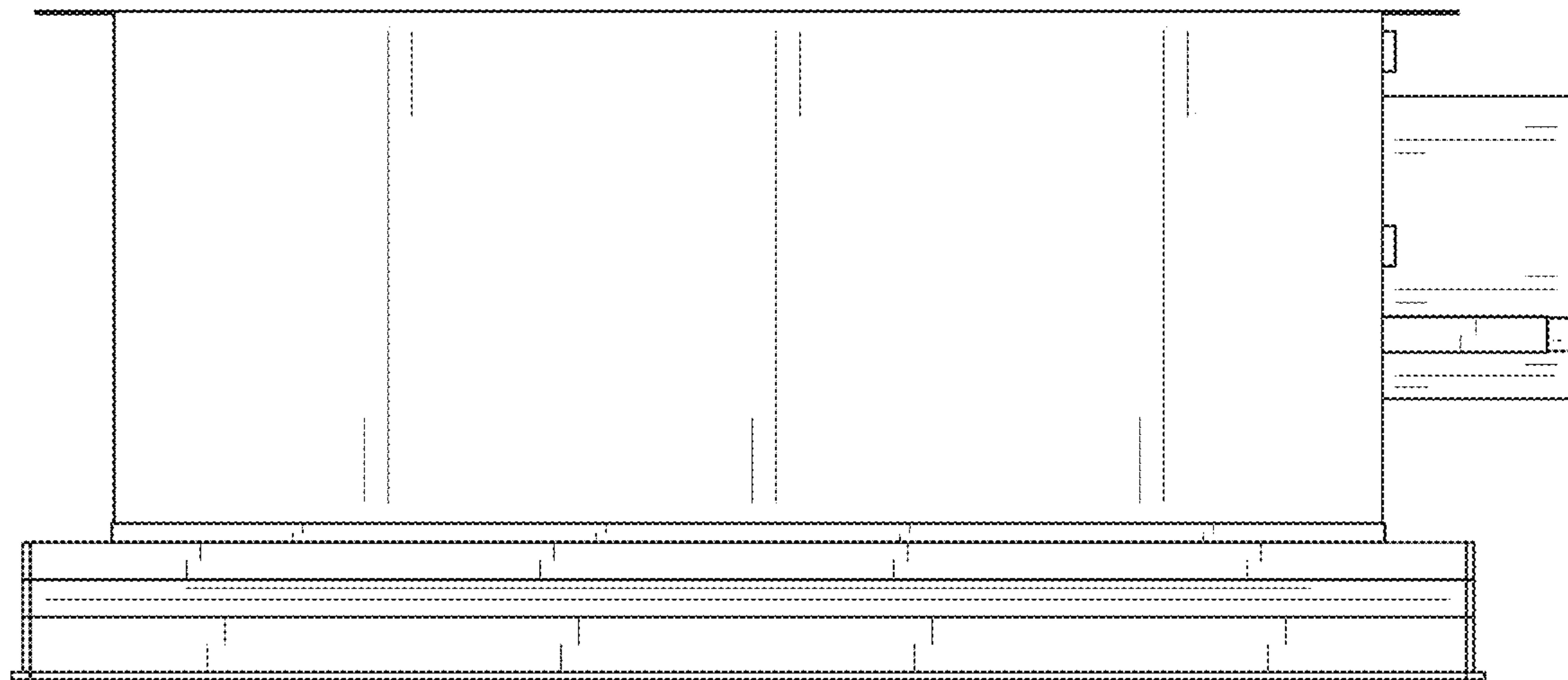


FIG. 2

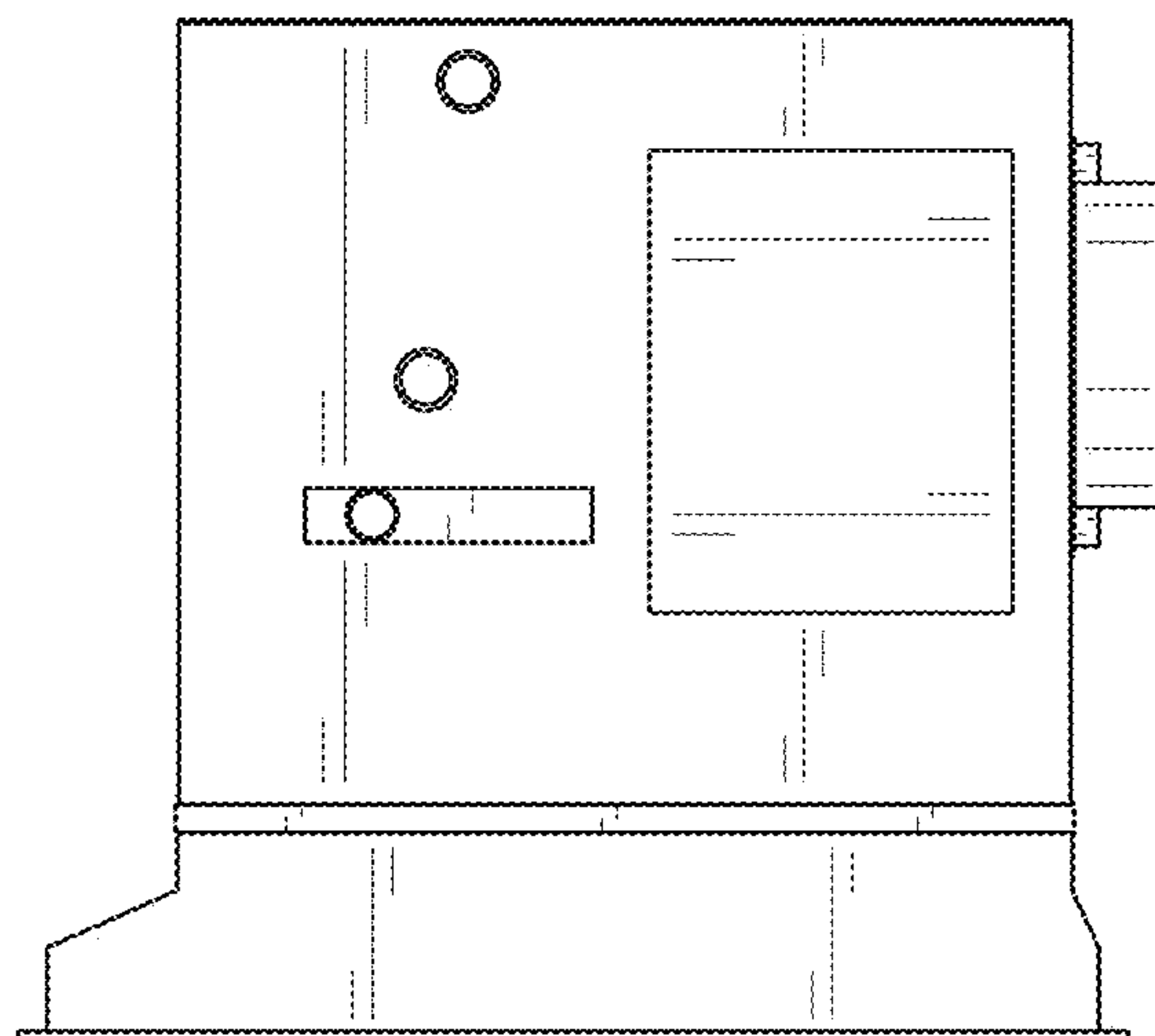


FIG. 3

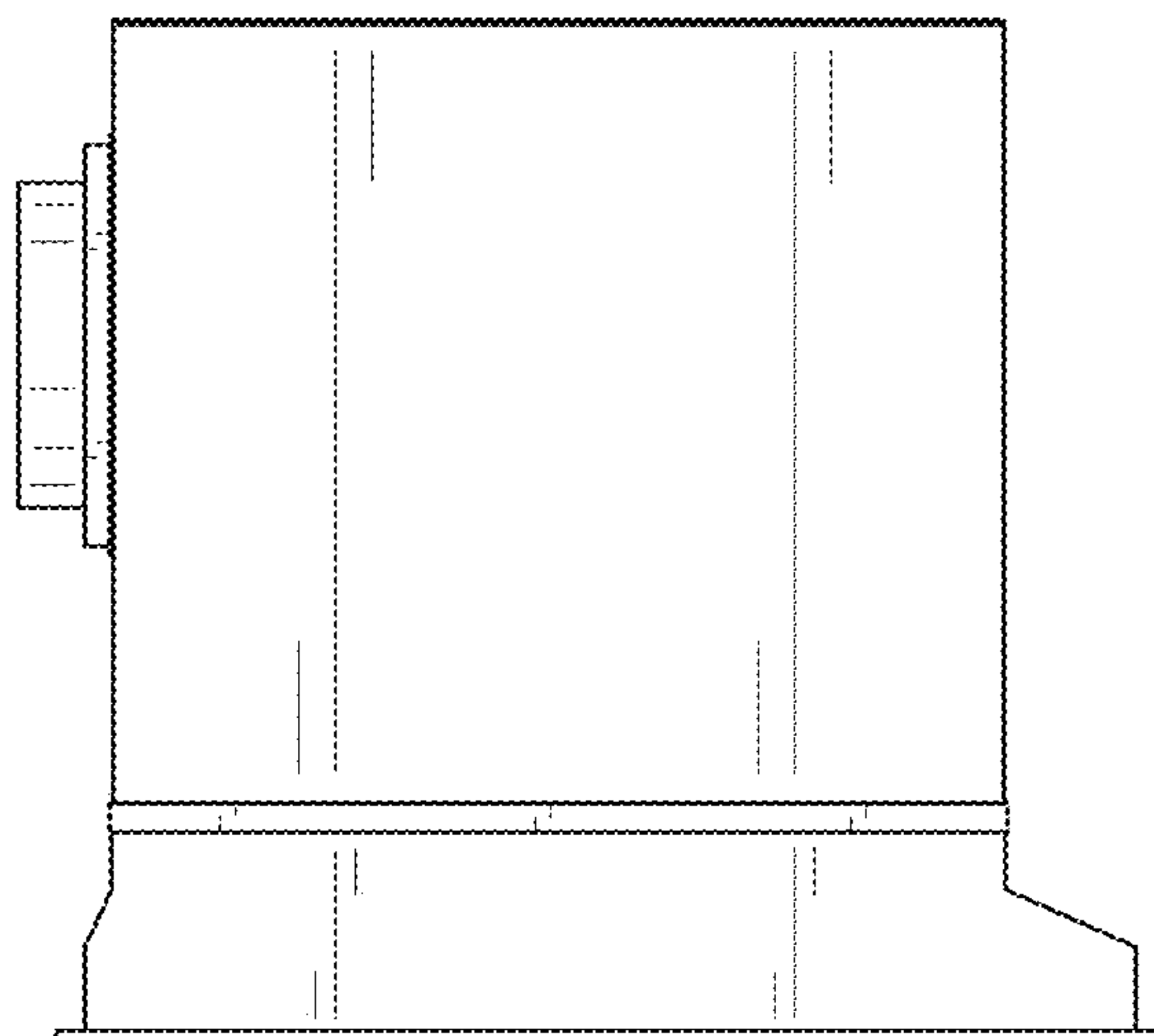


FIG. 4

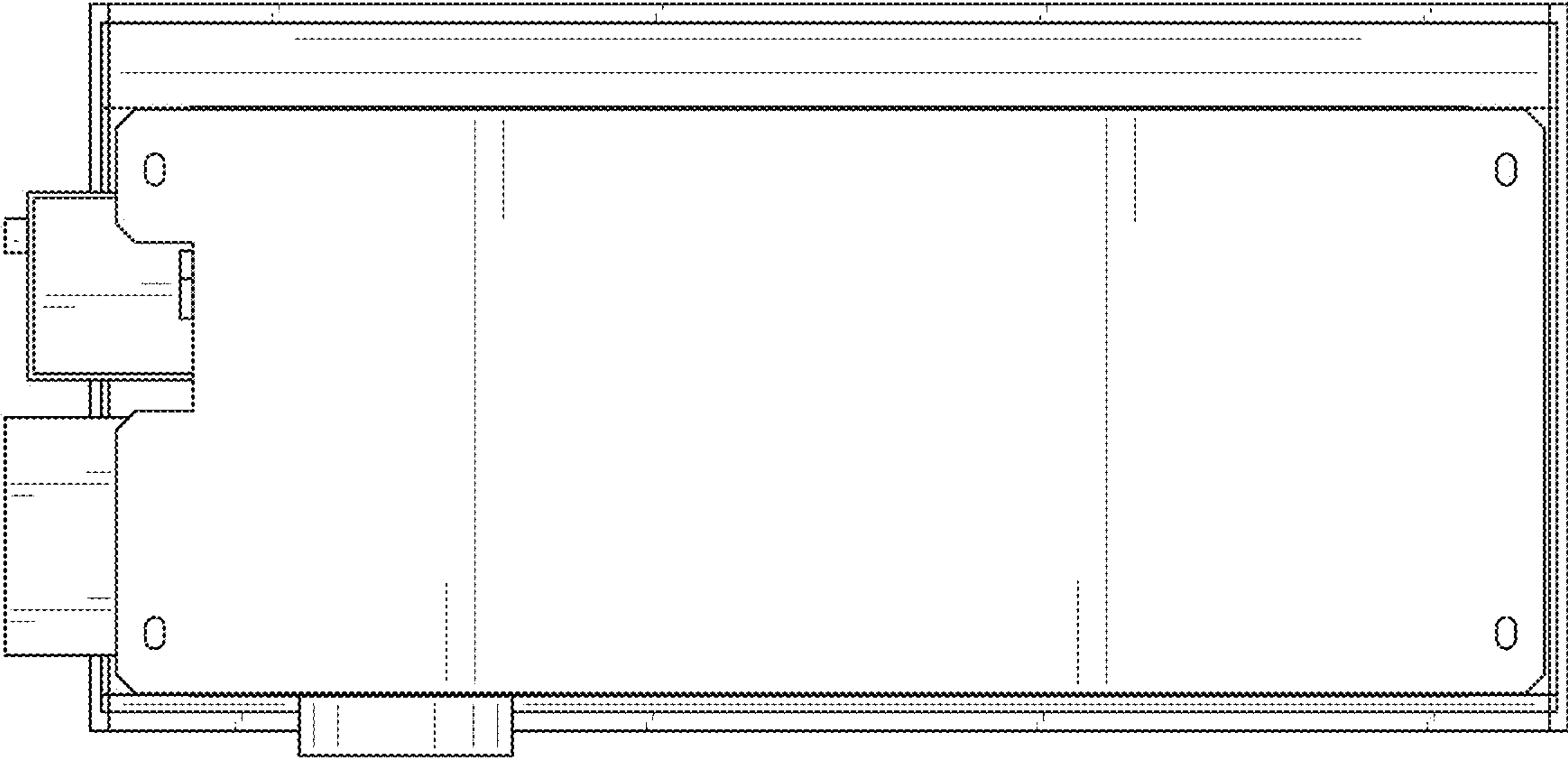


FIG. 5

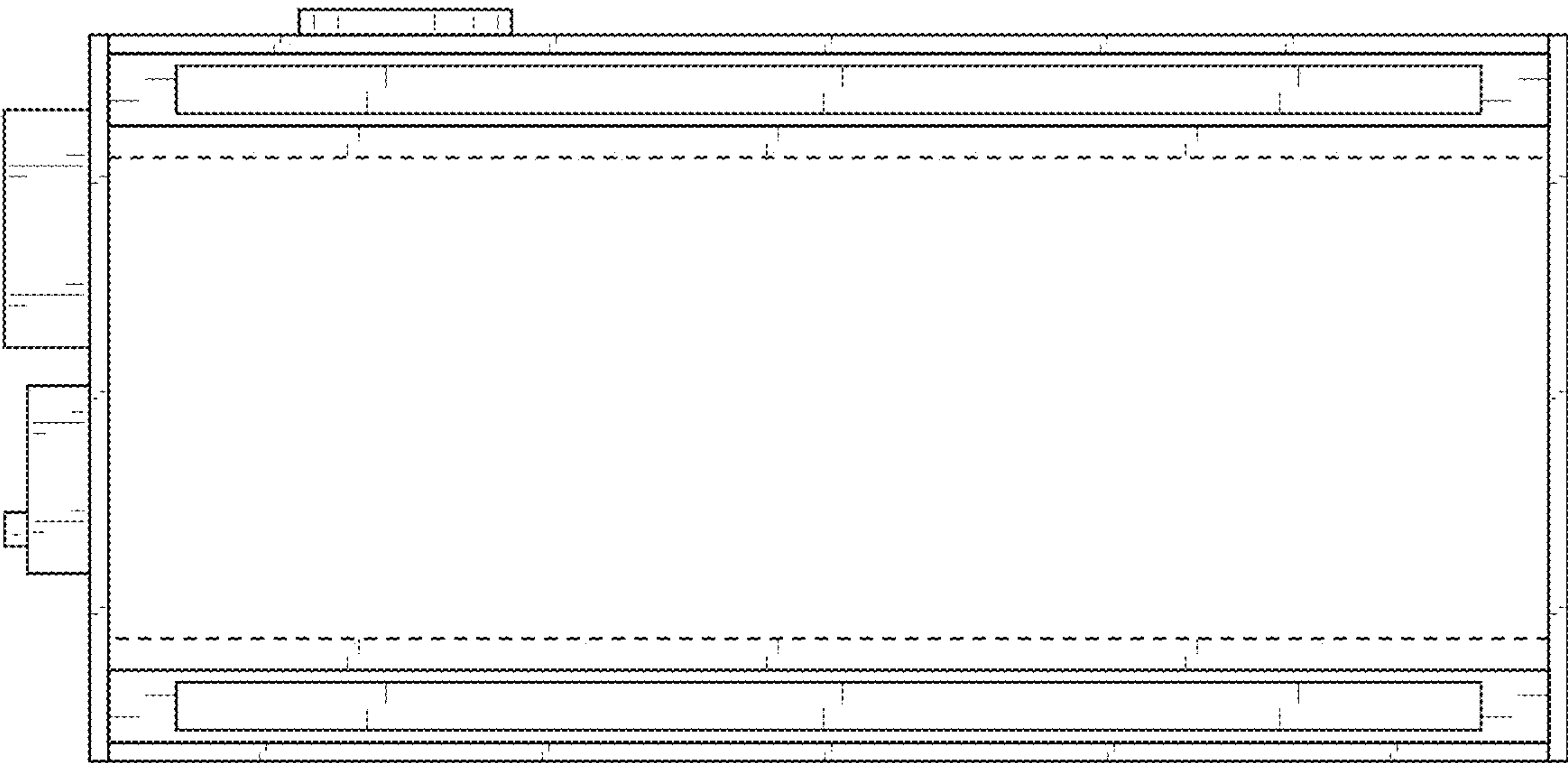


FIG. 6

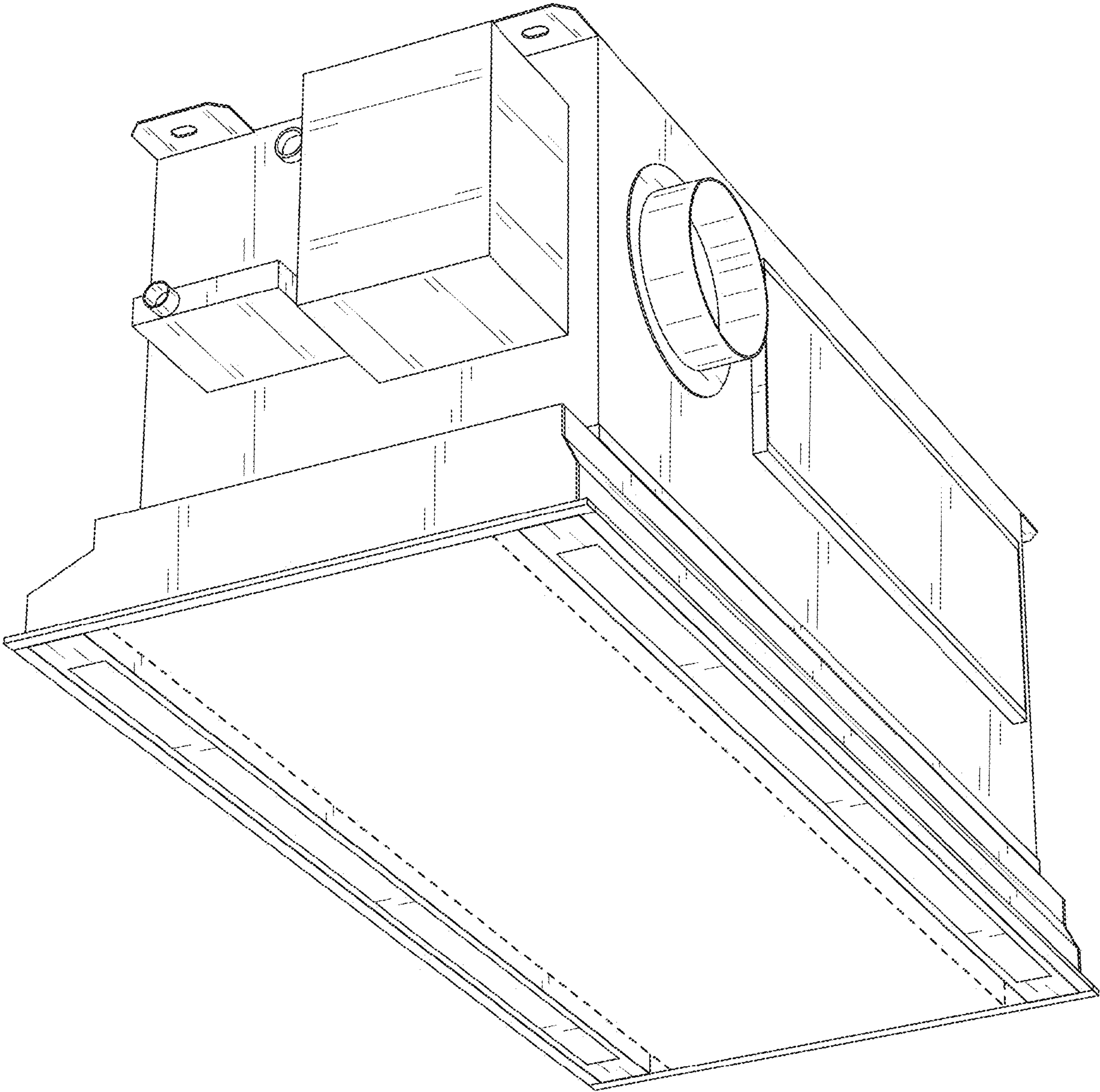


FIG. 7

UNITED STATES PATENT AND TRADEMARK OFFICE
CERTIFICATE OF CORRECTION

PATENT NO. : D886,263 S
APPLICATION NO. : 29/662293
DATED : June 2, 2020
INVENTOR(S) : Katsuhiko Urano

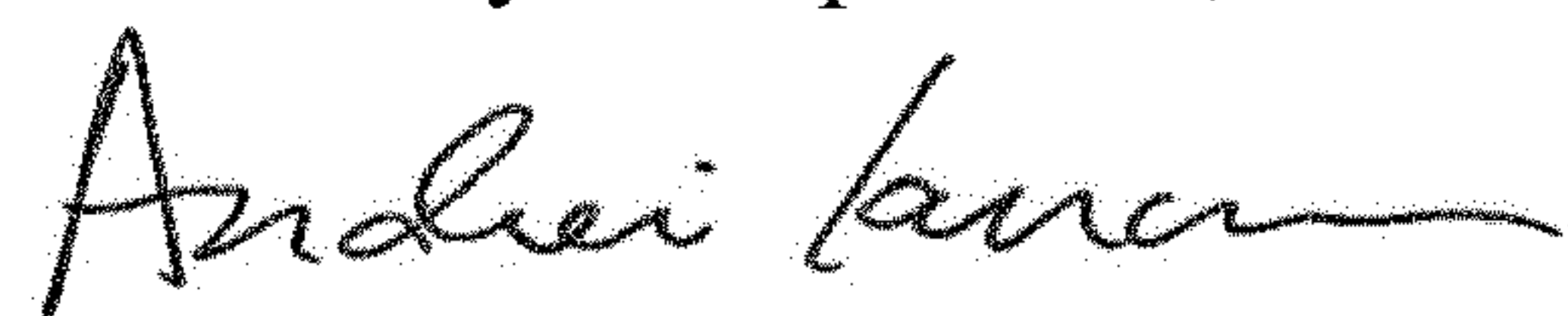
Page 1 of 1

It is certified that error appears in the above-identified patent and that said Letters Patent is hereby corrected as shown below:

On the Title Page

At the end of item (57), the Claim insert --The broken lines illustrating the radiation panel of the CEILING ATTACHING TYPE AIR CONDITIONER form no part of the claimed design.--

Signed and Sealed this
First Day of September, 2020



Andrei Iancu
Director of the United States Patent and Trademark Office