



US00D886262S

(12) **United States Design Patent**  
**Urano**

(10) **Patent No.:** **US D886,262 S**  
(45) **Date of Patent:** **\*\* \*Jun. 2, 2020**

- (54) **CEILING ATTACHING TYPE AIR CONDITIONER**
- (71) Applicant: **KIMURA KOHKI CO., LTD.**,  
Osaka-shi, Osaka (JP)
- (72) Inventor: **Katsuhiko Urano**, Sakai (JP)
- (73) Assignee: **KIMURA KOHKI CO., LTD.**,  
Osaka-shi, Osaka (JP)
- (\*) Notice: This patent is subject to a terminal disclaimer.

D387,859 S *	12/1997	Ukai	.....	D23/370
D663,828 S *	7/2012	Portillo	.....	D23/371
D674,474 S *	1/2013	Rentschler	.....	D23/364
D695,951 S *	12/2013	Miyatake	.....	D26/120
D714,927 S *	10/2014	Urano	.....	D23/388
D714,928 S *	10/2014	Urano	.....	D23/388
D723,675 S *	3/2015	Paskow	.....	D23/354
D801,924 S *	11/2017	Priem	.....	D13/112
D805,177 S *	12/2017	Urano	.....	D23/388
D805,178 S *	12/2017	Urano	.....	D23/388
D805,179 S *	12/2017	Urano	.....	D23/388
D806,854 S *	1/2018	Urano	.....	D23/388
D807,495 S *	1/2018	Hirsch	.....	D23/393
D814,623 S *	4/2018	Urano	.....	D23/387
D815,265 S *	4/2018	Seifert	.....	D23/351

- (\*\*) Term: **15 Years**
- (21) Appl. No.: **29/662,289**
- (22) Filed: **Sep. 4, 2018**

\* cited by examiner

*Primary Examiner* — Natasha Vujcic  
(74) *Attorney, Agent, or Firm* — Alleman Hall Creasman & Tuttle LLP

(30) **Foreign Application Priority Data**

Mar. 5, 2018 (JP) ..... 2018-004476

- (51) **LOC (12) Cl.** ..... **23-04**
- (52) **U.S. Cl.**  
USPC ..... **D23/351**

- (58) **Field of Classification Search**  
USPC ..... D23/333, 351–354, 388  
CPC .... F24F 1/00; F24F 1/0007; F24F 1/02; F24F 1/08; F24F 1/42; F24F 1/56; F24F 1/60; F24F 3/044; F24F 3/048; F24F 3/16; G05D 23/1905; G05D 23/1932; G05D 23/1902; G05D 23/1931; G05B 19/0426; G05B 19/409; G05B 15/02  
See application file for complete search history.

(56) **References Cited**

**U.S. PATENT DOCUMENTS**

- D314,820 S \* 2/1991 Sullivan ..... D23/393
- D319,499 S \* 8/1991 Hague ..... D23/370

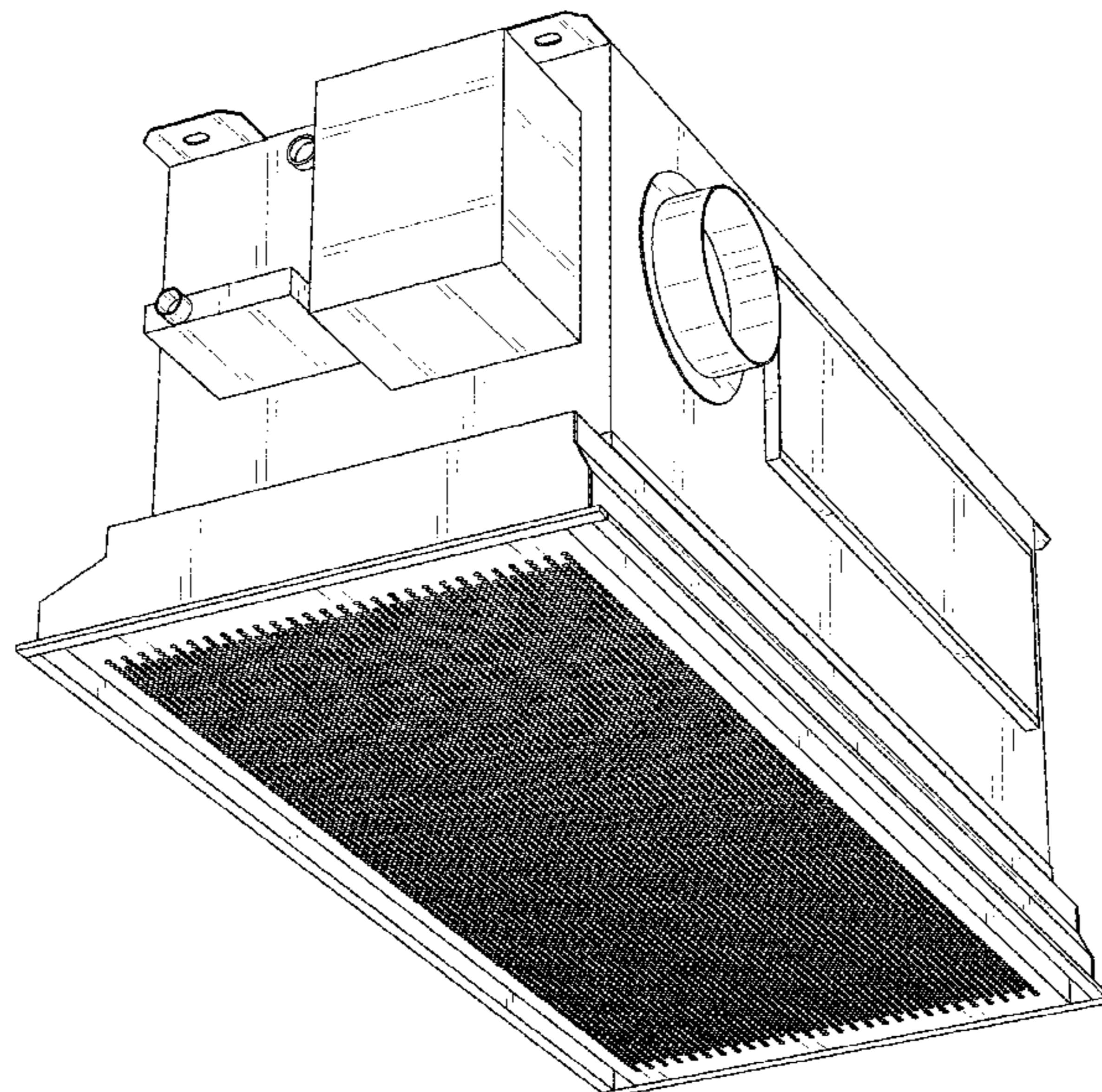
(57) **CLAIM**

The ornamental design for a ceiling attaching type air conditioner, as shown and described.

**DESCRIPTION**

FIG. 1 is a front view of a ceiling attaching type air conditioner showing my new design.  
 FIG. 2 is a rear view of the ceiling attaching type air conditioner of FIG. 1.  
 FIG. 3 is a left side view of the ceiling attaching type air conditioner of FIG. 1.  
 FIG. 4 is a right side view of the ceiling attaching type air conditioner of FIG. 1.  
 FIG. 5 is a top view of the ceiling attaching type air conditioner of FIG. 1.  
 FIG. 6 is a bottom view of the ceiling attaching type air conditioner of FIG. 1; and,  
 FIG. 7 is a perspective view of the ceiling attaching type air conditioner of FIG. 1.

**1 Claim, 4 Drawing Sheets**



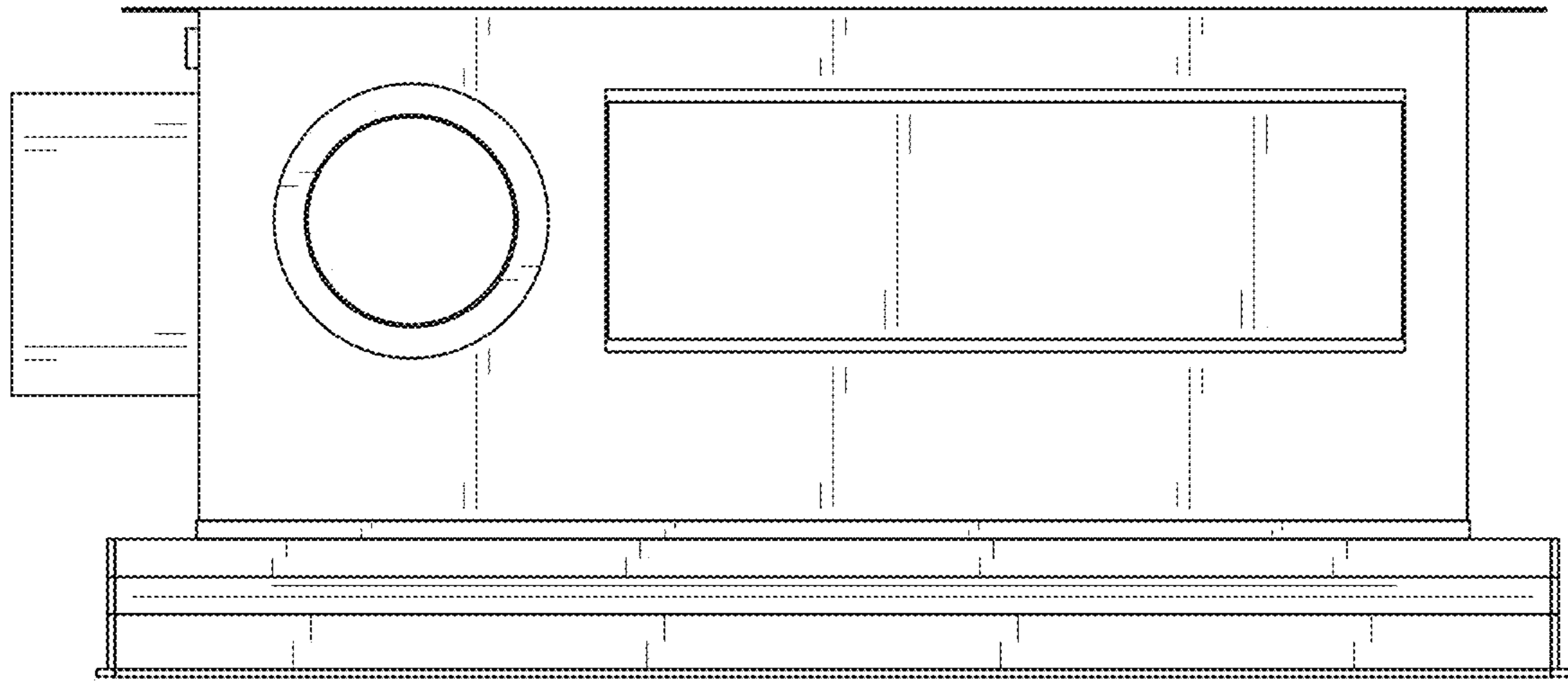


FIG. 1

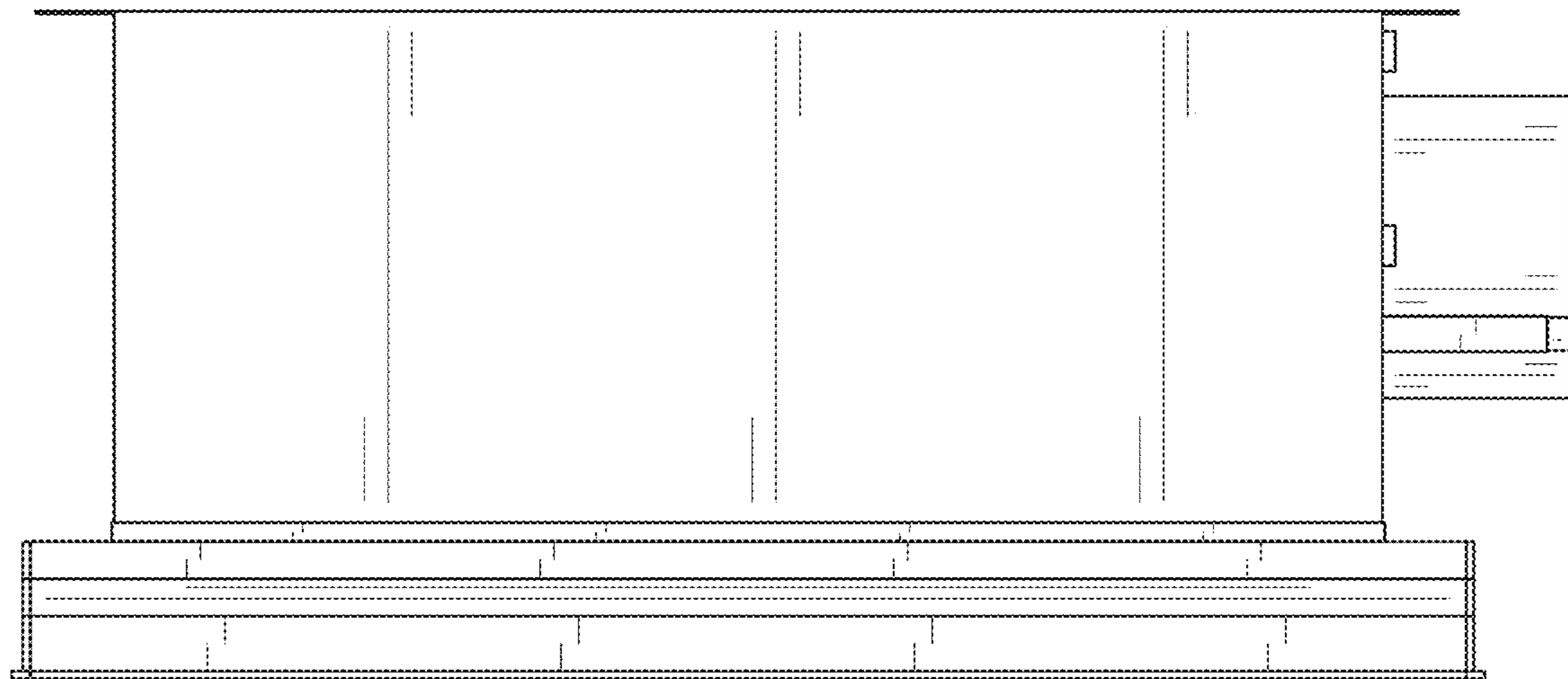


FIG. 2

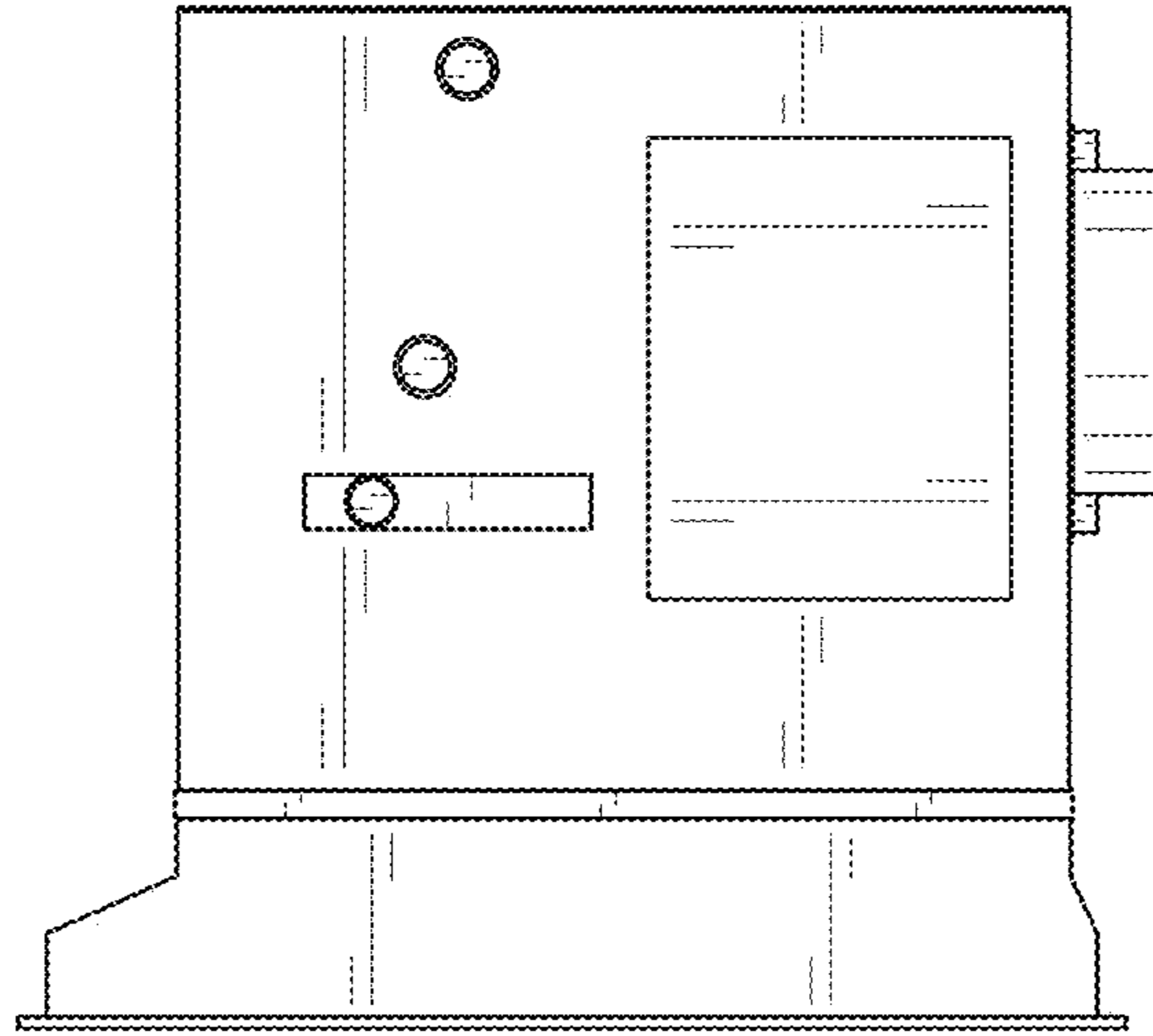


FIG. 3

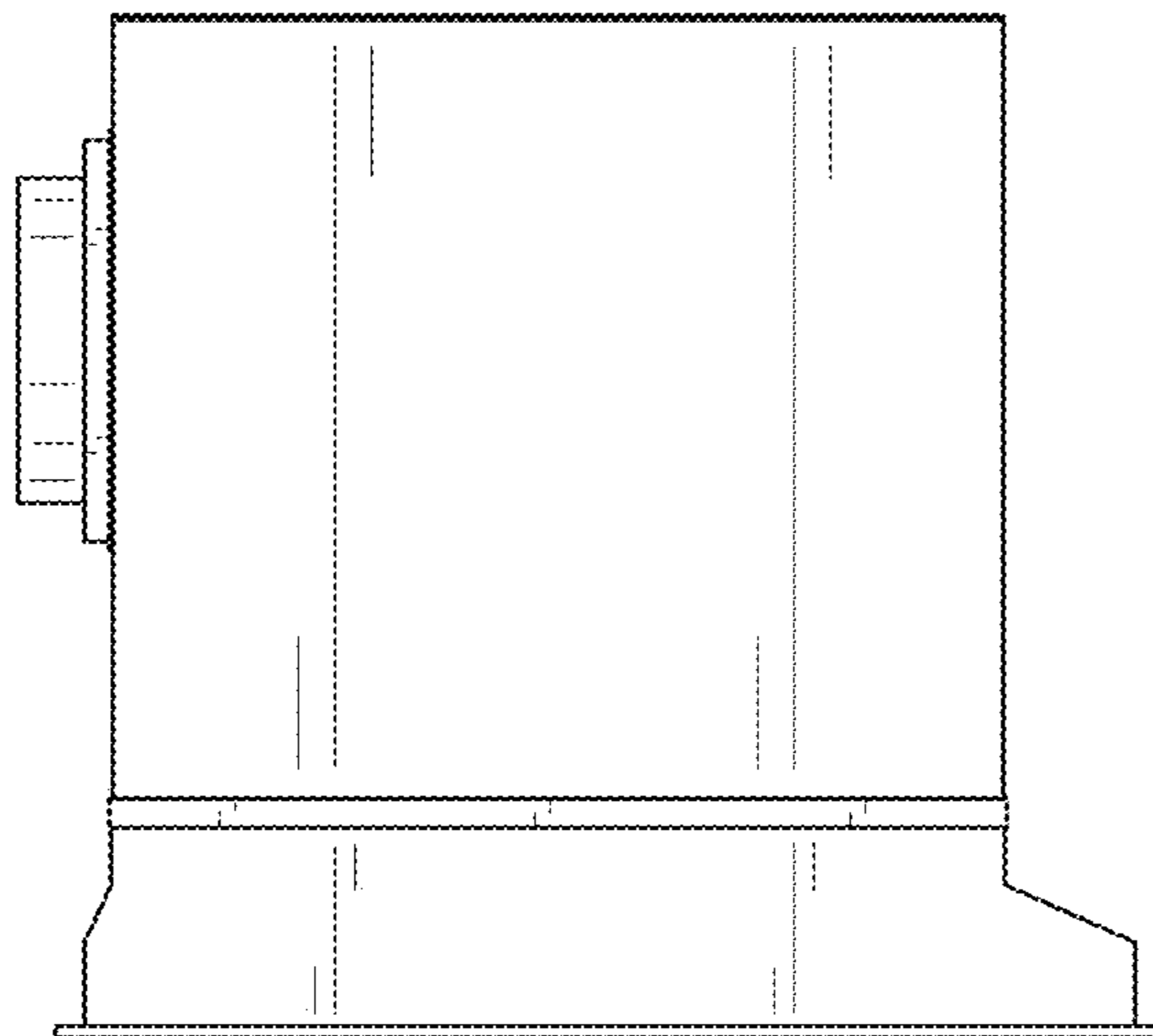


FIG. 4

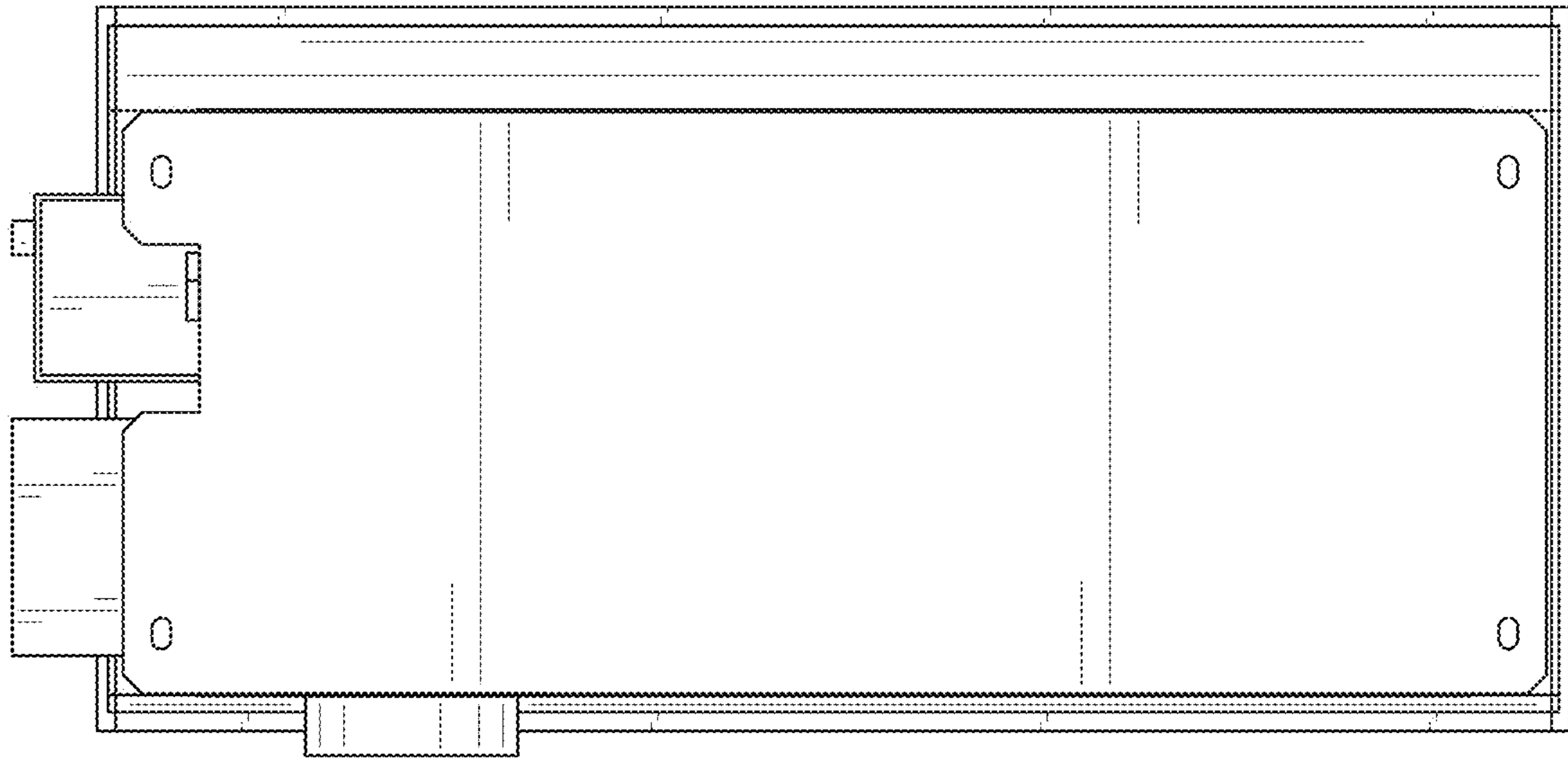


FIG. 5

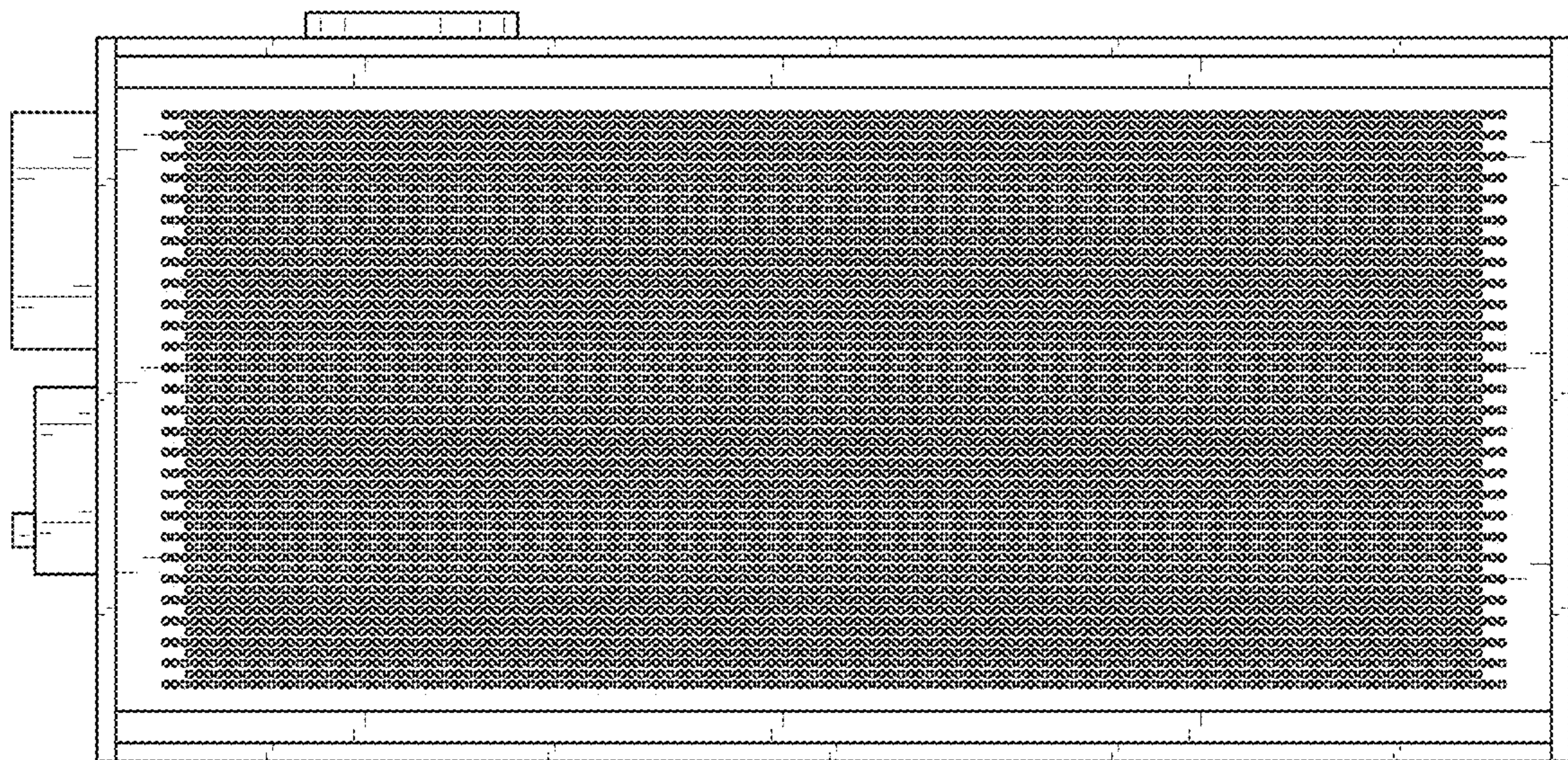


FIG. 6

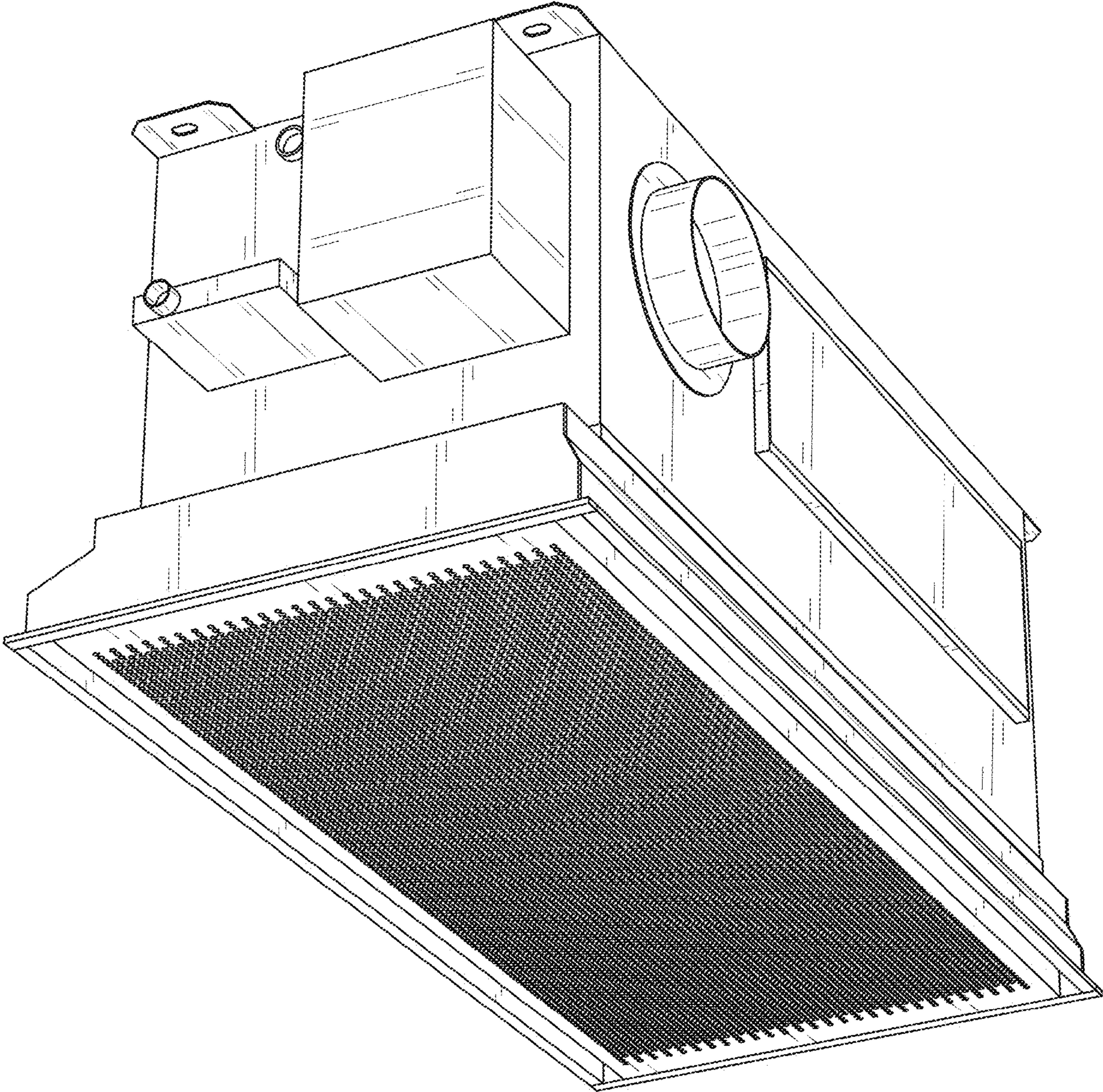


FIG. 7