



US00D886259S

(12) **United States Design Patent**
Bellingan

(10) **Patent No.:** **US D886,259 S**
(45) **Date of Patent:** **** Jun. 2, 2020**

- (54) **CHIMINEA**
- (71) Applicant: **Phillip W. Bellingan**, Plano, TX (US)
- (72) Inventor: **Phillip W. Bellingan**, Plano, TX (US)
- (**) Term: **15 Years**
- (21) Appl. No.: **29/658,903**
- (22) Filed: **Aug. 3, 2018**
- (51) **LOC (12) Cl.** **23-03**
- (52) **U.S. Cl.**
USPC **D23/343**
- (58) **Field of Classification Search**
USPC D23/314, 317, 332, 336, 342-350, 329;
D7/332, 334-337, 339, 341
CPC F24C 7/105; F24C 1/10; F24C 3/04; F24C
7/065; F23D 14/12; F24H 3/00; A47J
2037/0777; A47J 37/0763; F24B 3/00;
F24B 1/195; F24B 1/00; F24B 13/00;
F24B 1/18; F24B 13/004; F24B 1/192;
F24B 1/181; F24B 1/182; F24B 1/1802
See application file for complete search history.

(56) **References Cited**

U.S. PATENT DOCUMENTS

- D194,964 S * 4/1963 Hanger D23/350
- D205,569 S * 8/1966 Winegardner D23/350
- D209,255 S * 11/1967 Sandiford D23/348
- D212,268 S * 9/1968 Williams D7/332
- D215,718 S * 10/1969 Radeke D23/348

- D225,781 S * 1/1973 Ehrlichmann D7/332
- 3,777,735 A * 12/1973 Miller F24B 1/181
126/519
- D235,868 S * 7/1975 Bade D23/350
- D243,092 S * 1/1977 Sheth D23/348
- D365,145 S * 12/1995 Shadman D23/348
- D734,842 S * 7/2015 Goodson D23/332
- D761,945 S * 7/2016 Imbert D23/348
- 2013/0118476 A1 * 5/2013 Wise F24B 1/195
126/552
- 2015/0308690 A1 * 10/2015 Barrett F24B 1/182
126/541

* cited by examiner

Primary Examiner — Ania Aman

(74) *Attorney, Agent, or Firm* — Mitchell Law PLLC;
Matthew W. Mitchell

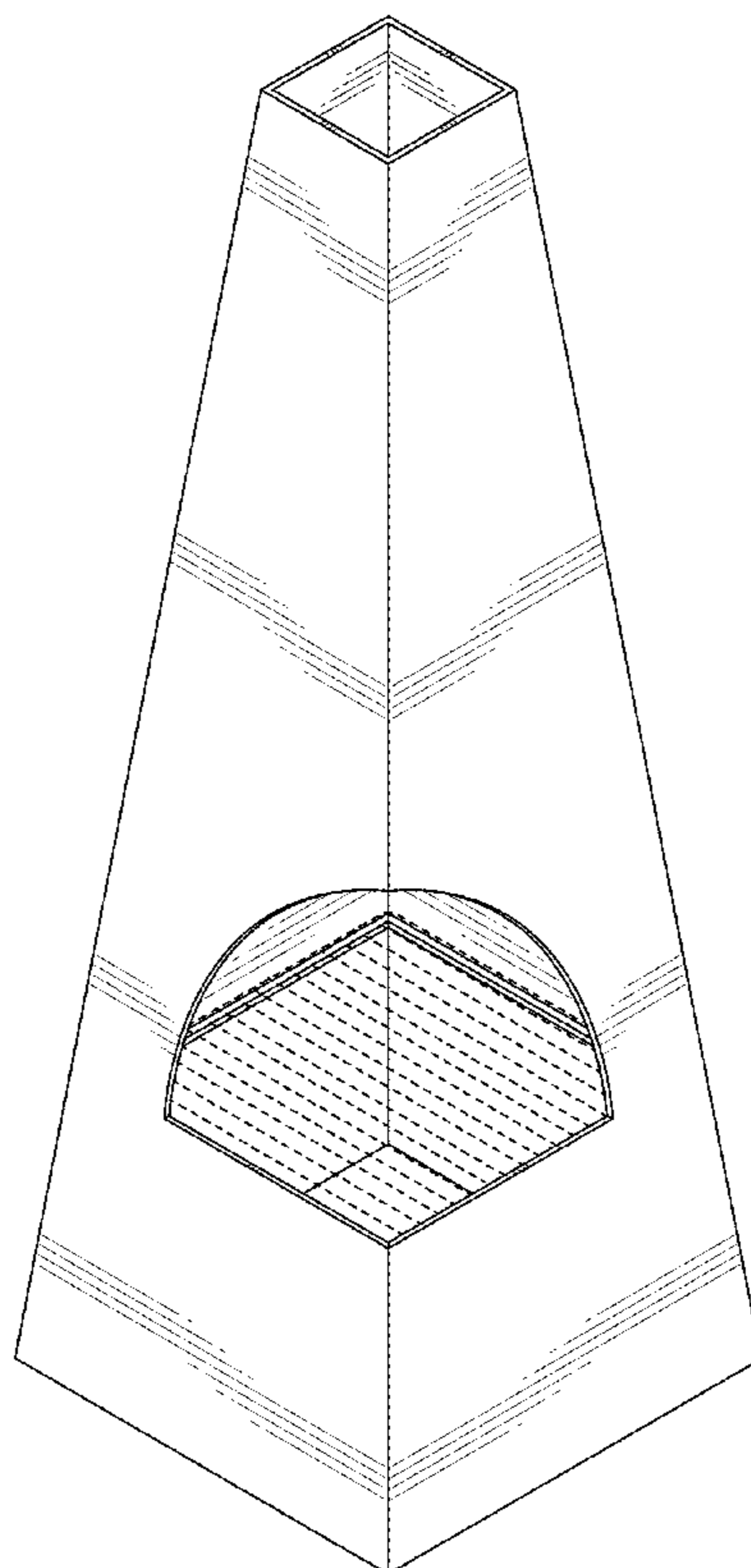
(57) **CLAIM**

The ornamental design for a chiminea, as shown and described.

DESCRIPTION

FIG. 1 is a front isometric view of the chiminea of the present invention;
 FIG. 2 is a front view thereof;
 FIG. 3 is a rear view thereof;
 FIG. 4 is a right side view thereof;
 FIG. 5 is a left side view thereof; and,
 FIG. 6 is a top plan view thereof.
 The broken lines depicting a grate in the figures are environmental structure and form no part of the claimed design.

1 Claim, 6 Drawing Sheets



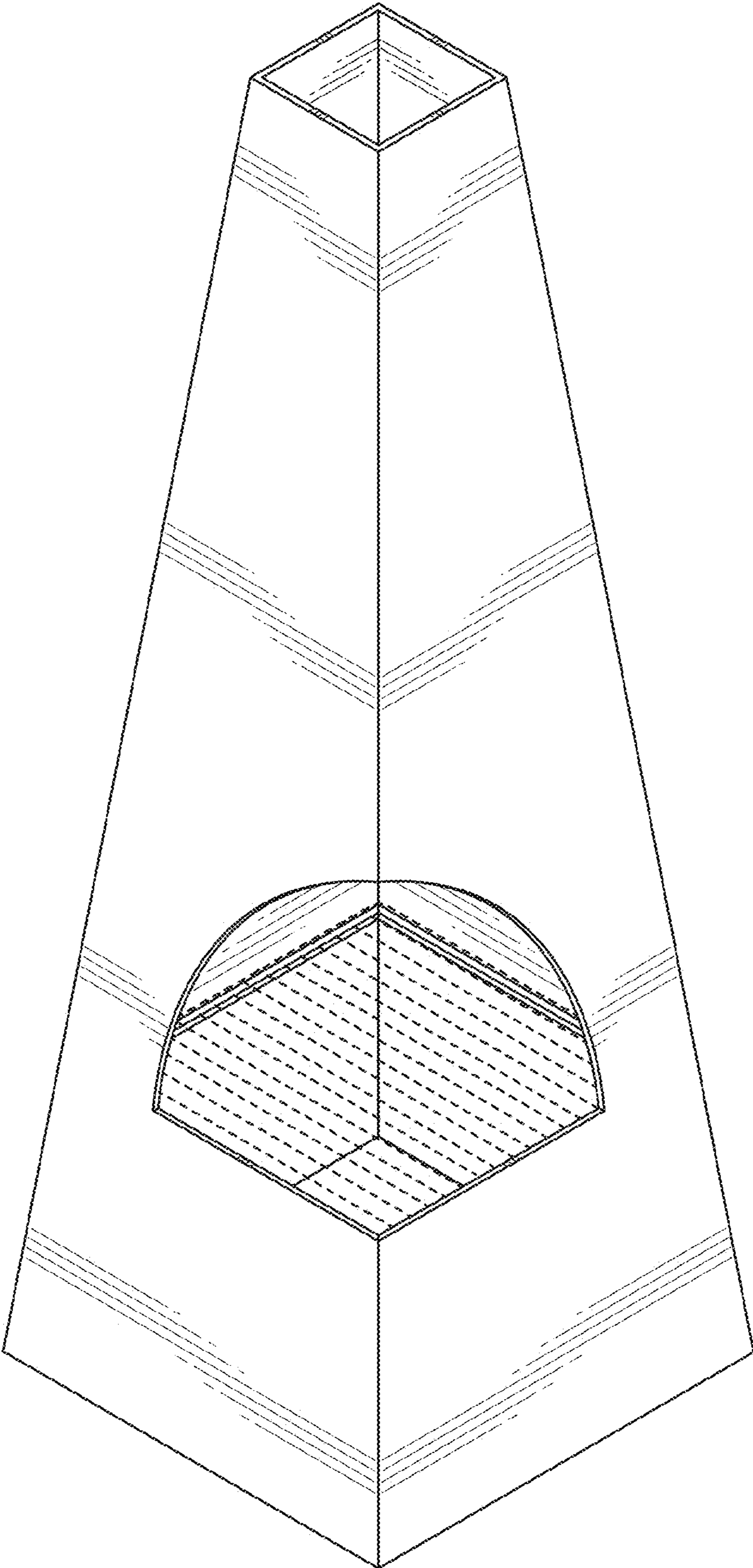


FIG. 1

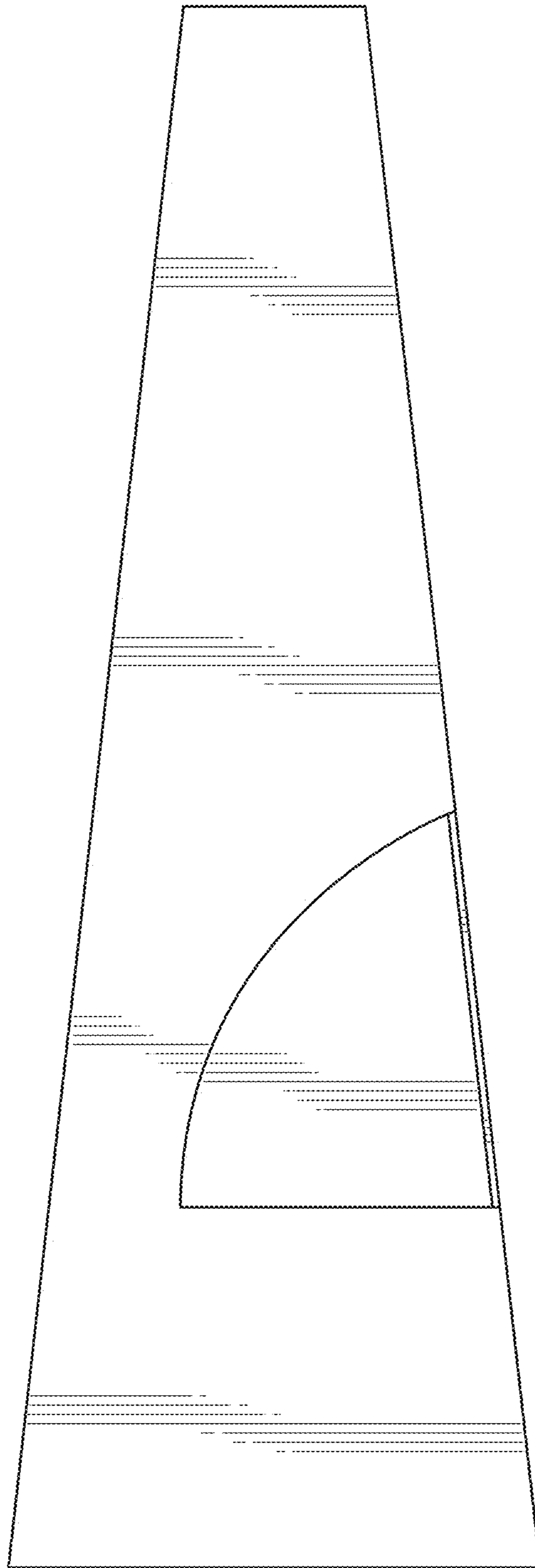


FIG. 2

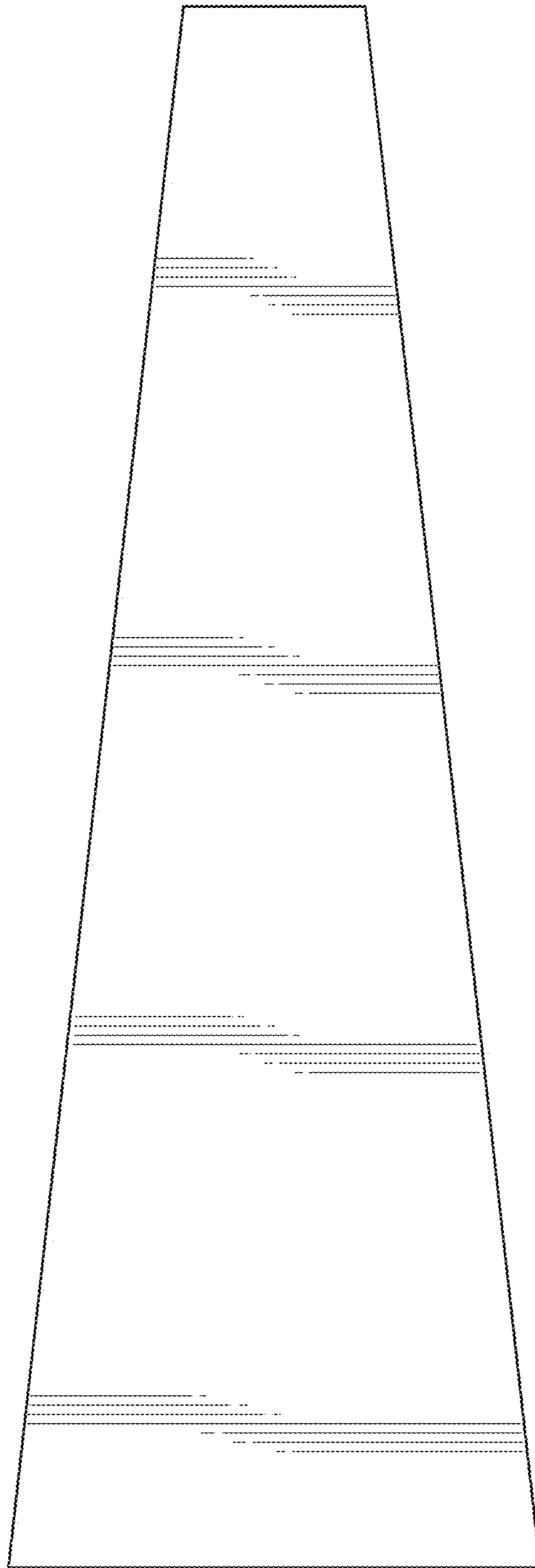


FIG. 3

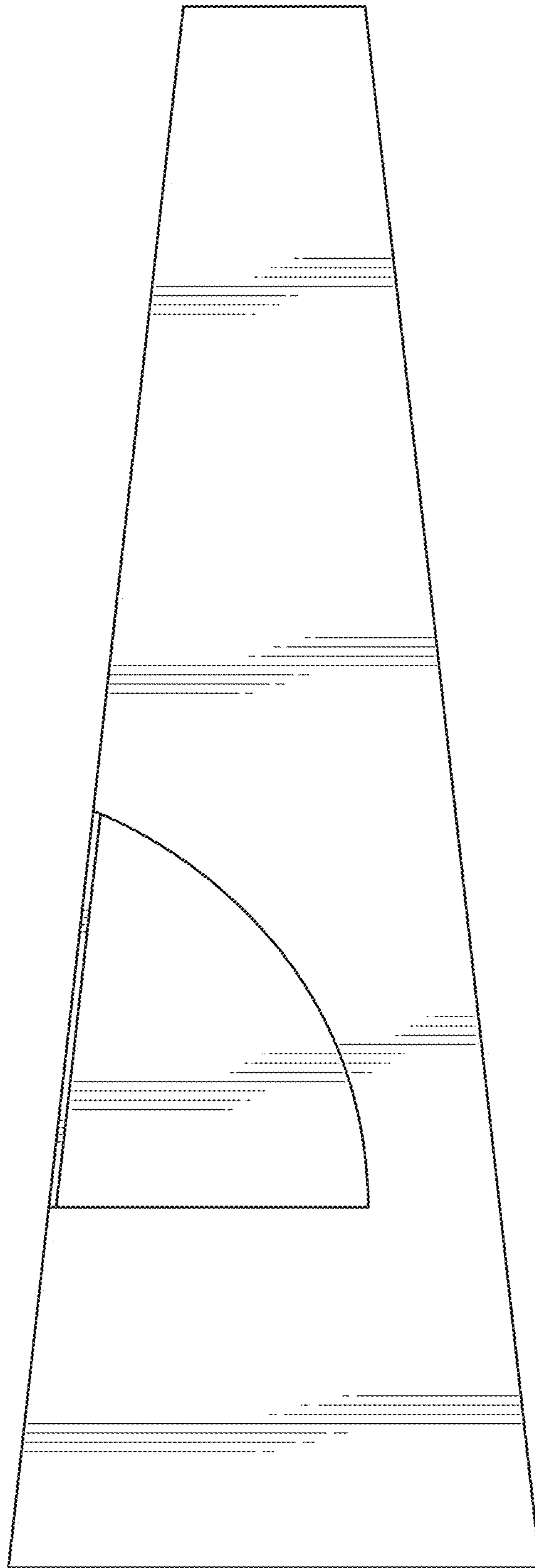


FIG. 4

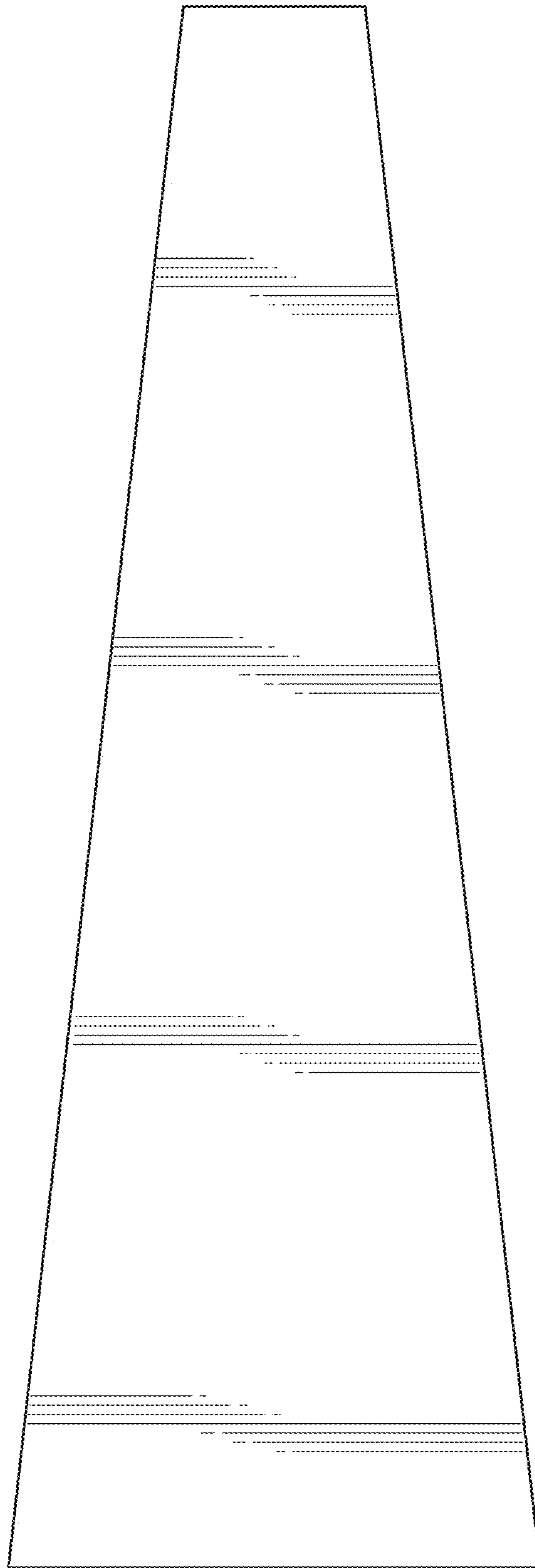


FIG. 5

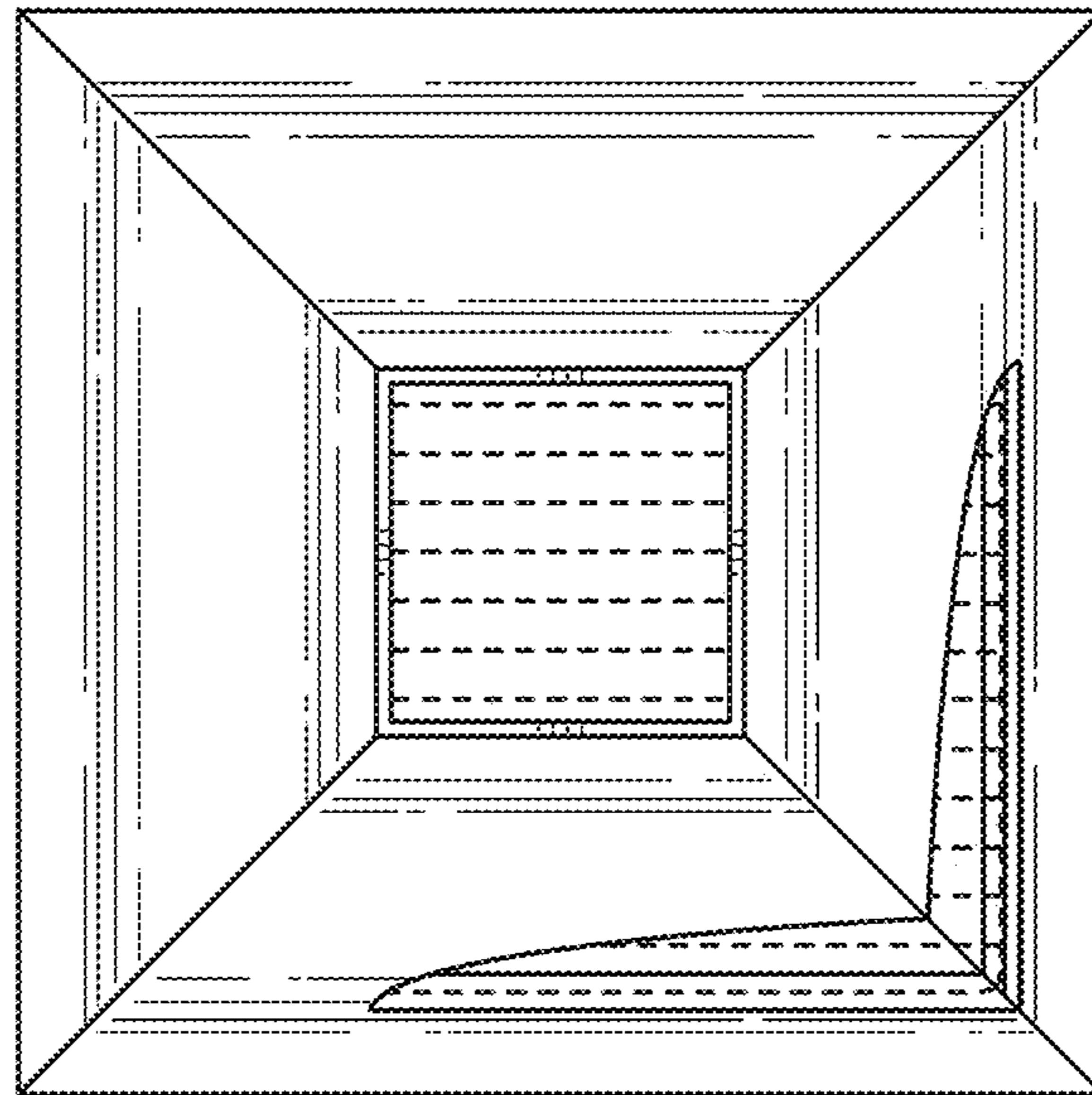


FIG. 6