



US00D886256S

(12) **United States Design Patent**
Smith

(10) **Patent No.:** **US D886,256 S**
(45) **Date of Patent:** **** Jun. 2, 2020**

(54) **TOILET SEAT RING**

(71) Applicant: **Elisha Smith**, Southfield, MI (US)

(72) Inventor: **Elisha Smith**, Southfield, MI (US)

(**) Term: **15 Years**

(21) Appl. No.: **29/643,162**

(22) Filed: **Apr. 5, 2018**

(51) **LOC (12) Cl.** **23-02**

(52) **U.S. Cl.**
USPC **D23/311**

(58) **Field of Classification Search**
USPC D23/295-301, 303, 309, 311-313
CPC A47K 11/02; A47K 11/026; A47K 11/00;
A47K 13/00; E03D 11/18; E03D 5/10;
E03D 13/00

See application file for complete search history.

(56) **References Cited**

U.S. PATENT DOCUMENTS

3,914,803	A	10/1975	Gregovski	
4,912,784	A	4/1990	Jacobson et al.	
D346,436	S *	4/1994	Wilks	D23/312
5,564,135	A	10/1996	Jones et al.	
D381,070	S *	7/1997	Deniakis	D23/299
D430,926	S *	9/2000	Kowalski	D23/296
6,119,282	A	9/2000	Serbin	
D593,656	S *	6/2009	De Lay	D23/311
D593,657	S *	6/2009	De Lay	D23/311
D631,142	S *	1/2011	Angell	D23/262
D662,755	S *	7/2012	Salvaneschi	D6/611
D672,442	S *	12/2012	Hand	D23/311
D681,176	S *	4/2013	Chacko	D23/269
D750,765	S *	3/2016	Giametta	D23/311
D811,276	S *	2/2018	Dadoosh	D12/114
D831,179	S *	10/2018	Kelly	D23/311
D858,725	S *	9/2019	King	D23/311
2005/0144713	A1 *	7/2005	Lim	A47K 13/00 4/420.4
2007/0083988	A1 *	4/2007	Clark	A47K 11/02 4/144.1
2009/0276948	A1 *	11/2009	Meshreky	A47K 13/24 4/444

(Continued)

OTHER PUBLICATIONS

Danmar Products 6850 Toilet Seat Cover with Reducer Ring [Dec. 18, 2019] found online [Dec. 18, 2019]—<https://www.danmarproducts.com/e-commerce/toileting-aids/toilet-seat-cover-with-reducer-ring.html>.*

Primary Examiner — Cathron C Brooks

Assistant Examiner — John A Voytek

(74) *Attorney, Agent, or Firm* — Boudwin Intellectual Property; Daniel Boudwin

(57) **CLAIM**

The ornamental design for a toilet seat ring, as shown and described.

DESCRIPTION

FIG. 1 shows a perspective view of the toilet seat ring of the present invention.

FIG. 2 shows an overhead view thereof.

FIG. 3 shows an underside view thereof.

FIG. 4 shows a side view thereof.

FIG. 5 shows an opposing side view thereof.

FIG. 6 shows a front view thereof.

FIG. 7 shows a rear view thereof.

FIG. 8 shows a perspective view of an alternate embodiment of the toilet seat ring of the present invention.

FIG. 9 shows an overhead view thereof.

FIG. 10 shows an underside view thereof.

FIG. 11 shows a side view thereof.

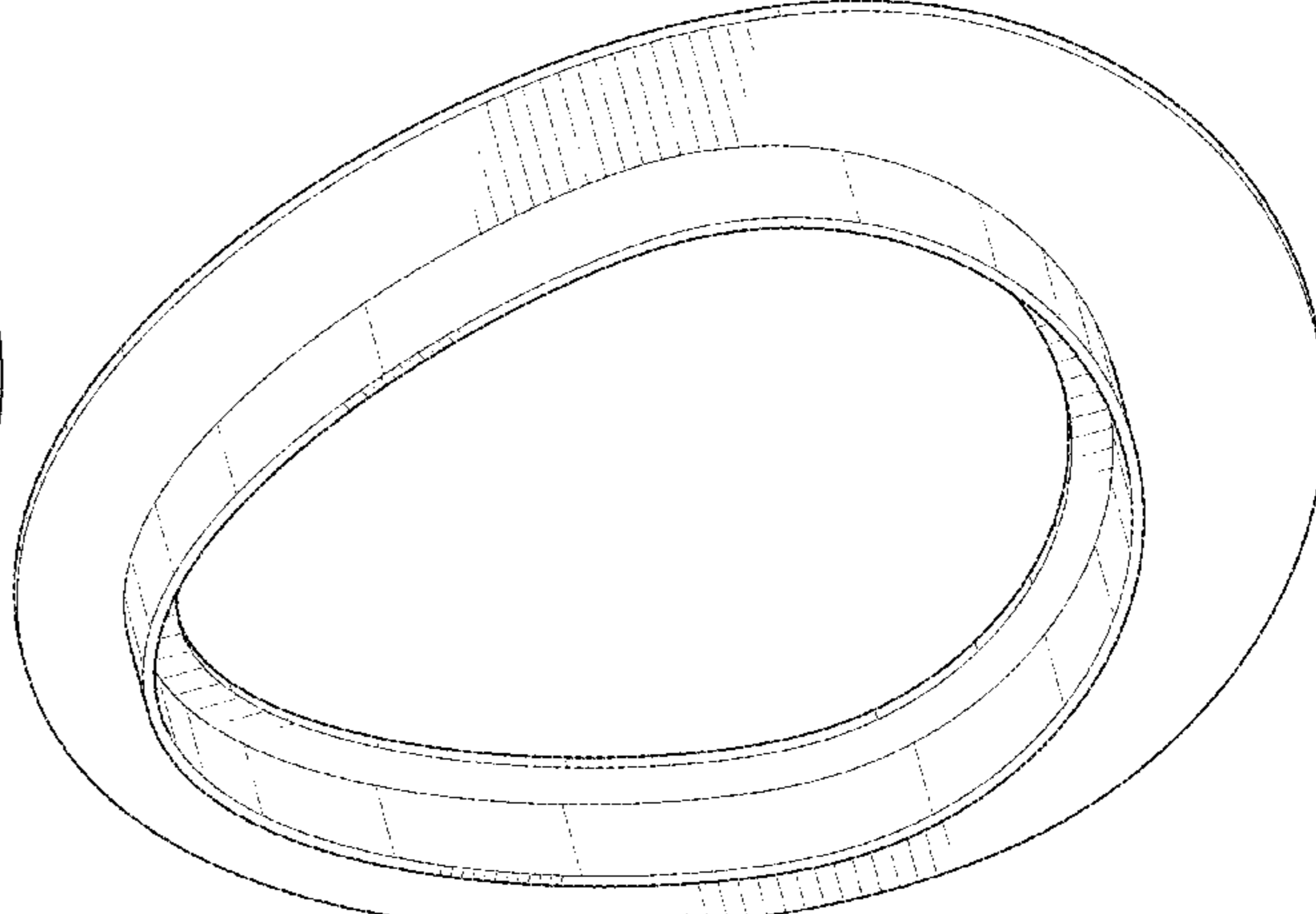
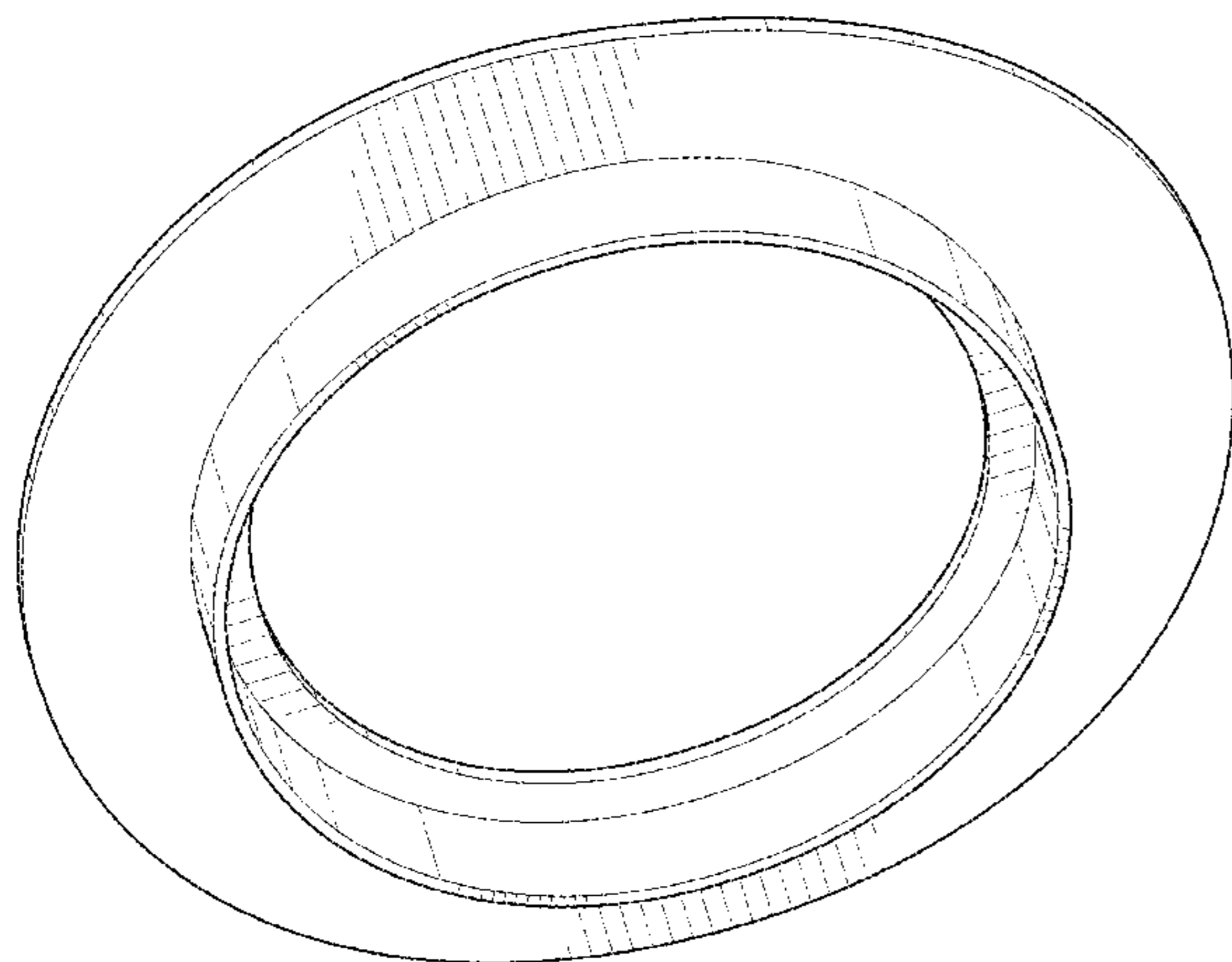
FIG. 12 shows an opposing side view thereof.

FIG. 13 shows a front view thereof; and,

FIG. 14 shows a rear view thereof.

The broken lines shown in the drawings represent environmental effects or potential embodiments and do not form any part of the claimed design.

1 Claim, 10 Drawing Sheets



(56)

References Cited

U.S. PATENT DOCUMENTS

2014/0310865 A1 10/2014 Lin
2015/0265111 A1* 9/2015 Brown A47K 13/24
4/300.3

* cited by examiner

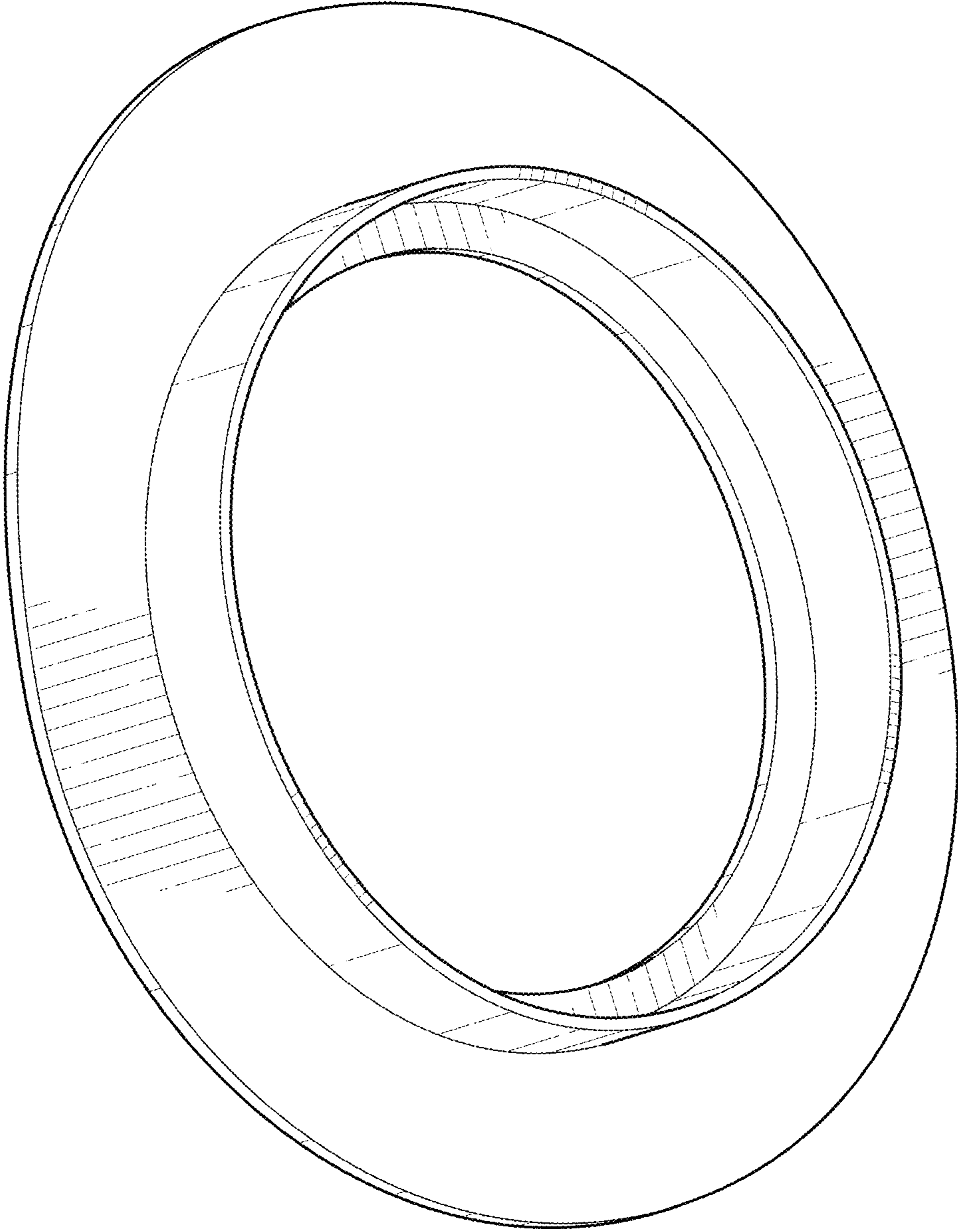


FIG. 1

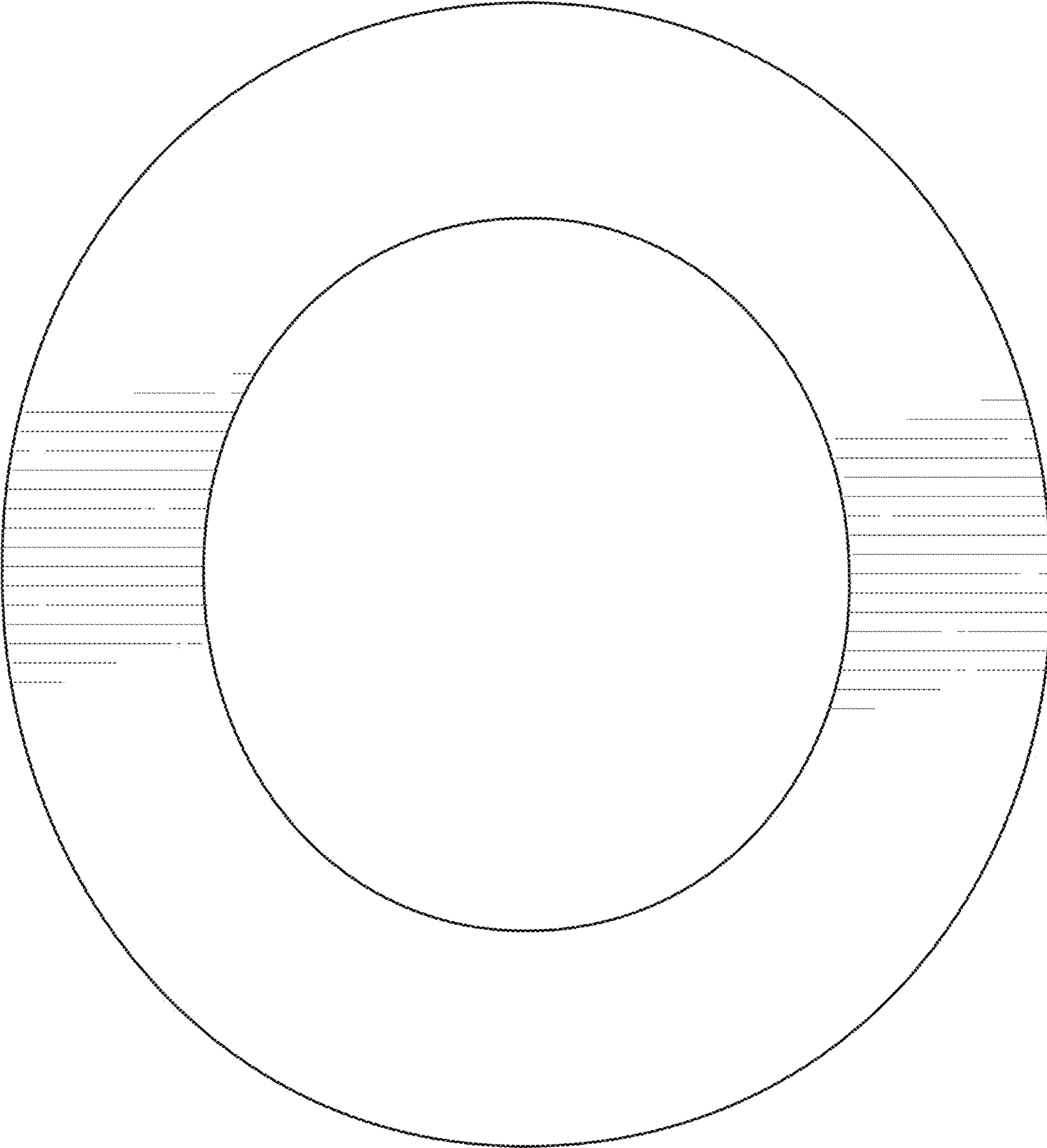


FIG. 2

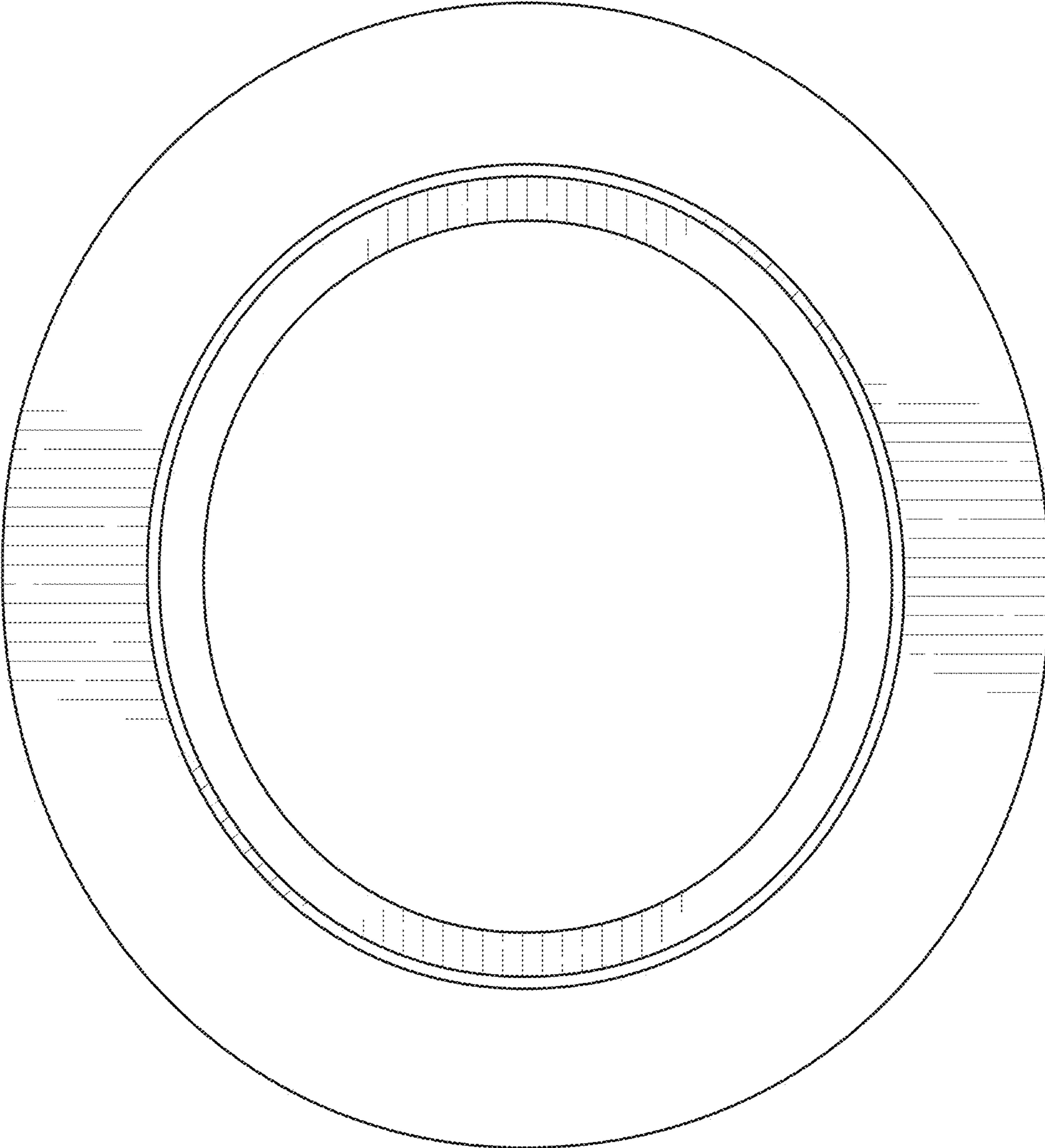


FIG. 3

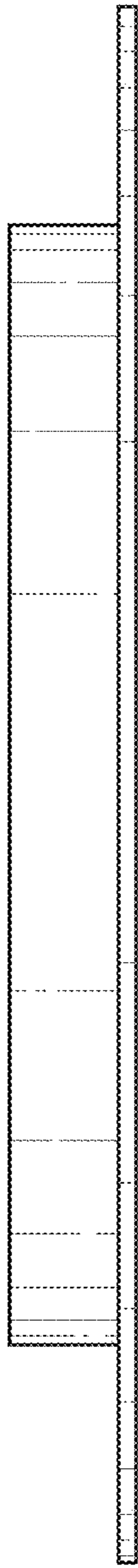


FIG. 4

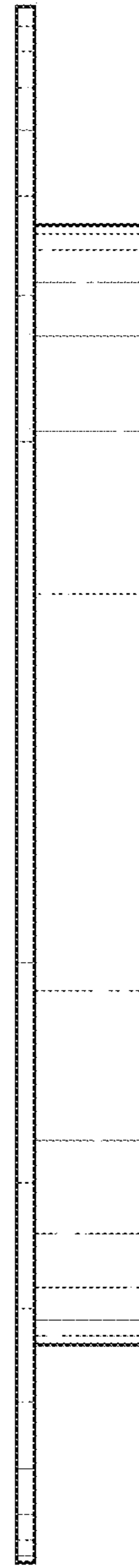


FIG. 5



FIG. 6



FIG. 7

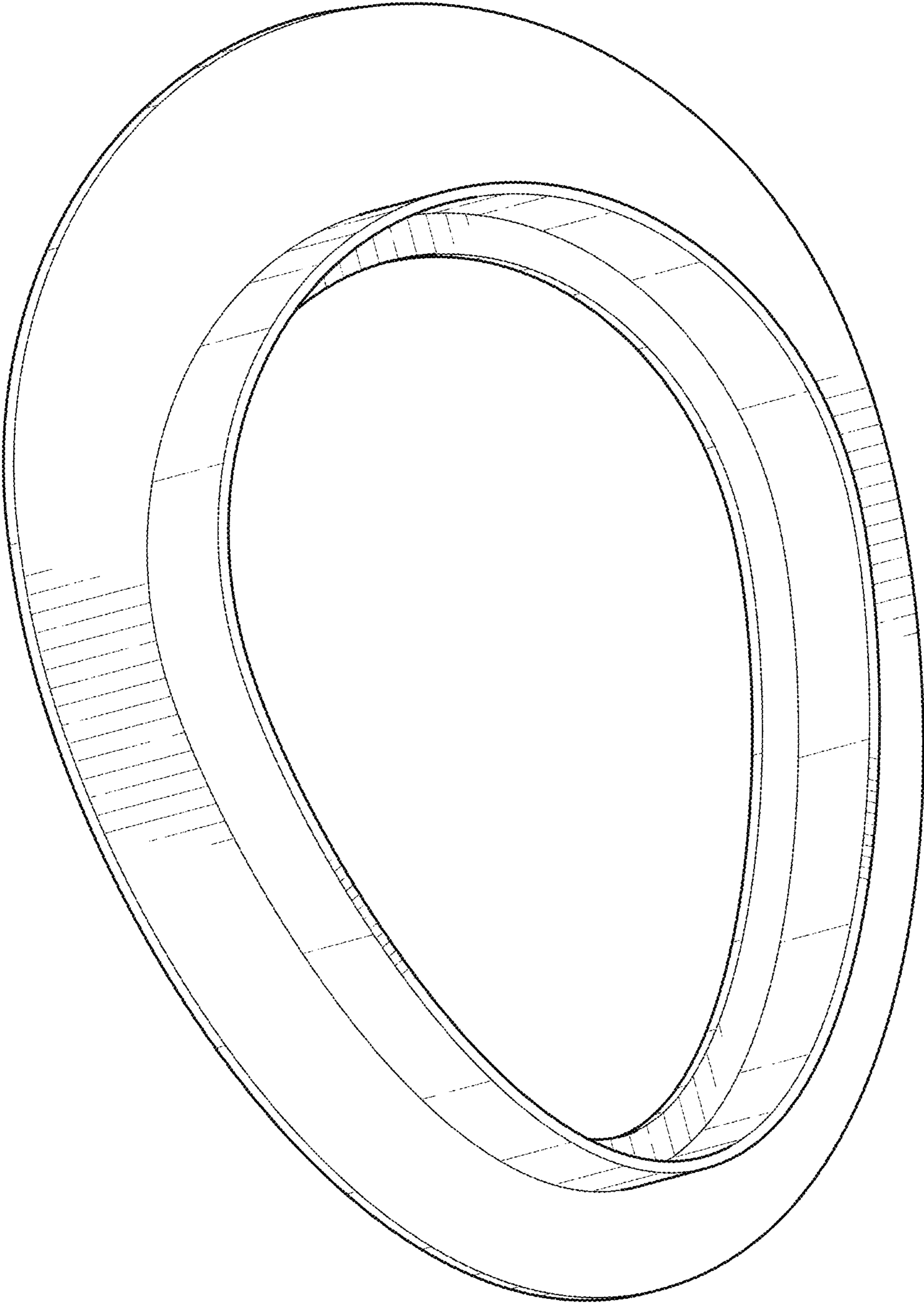


FIG. 8

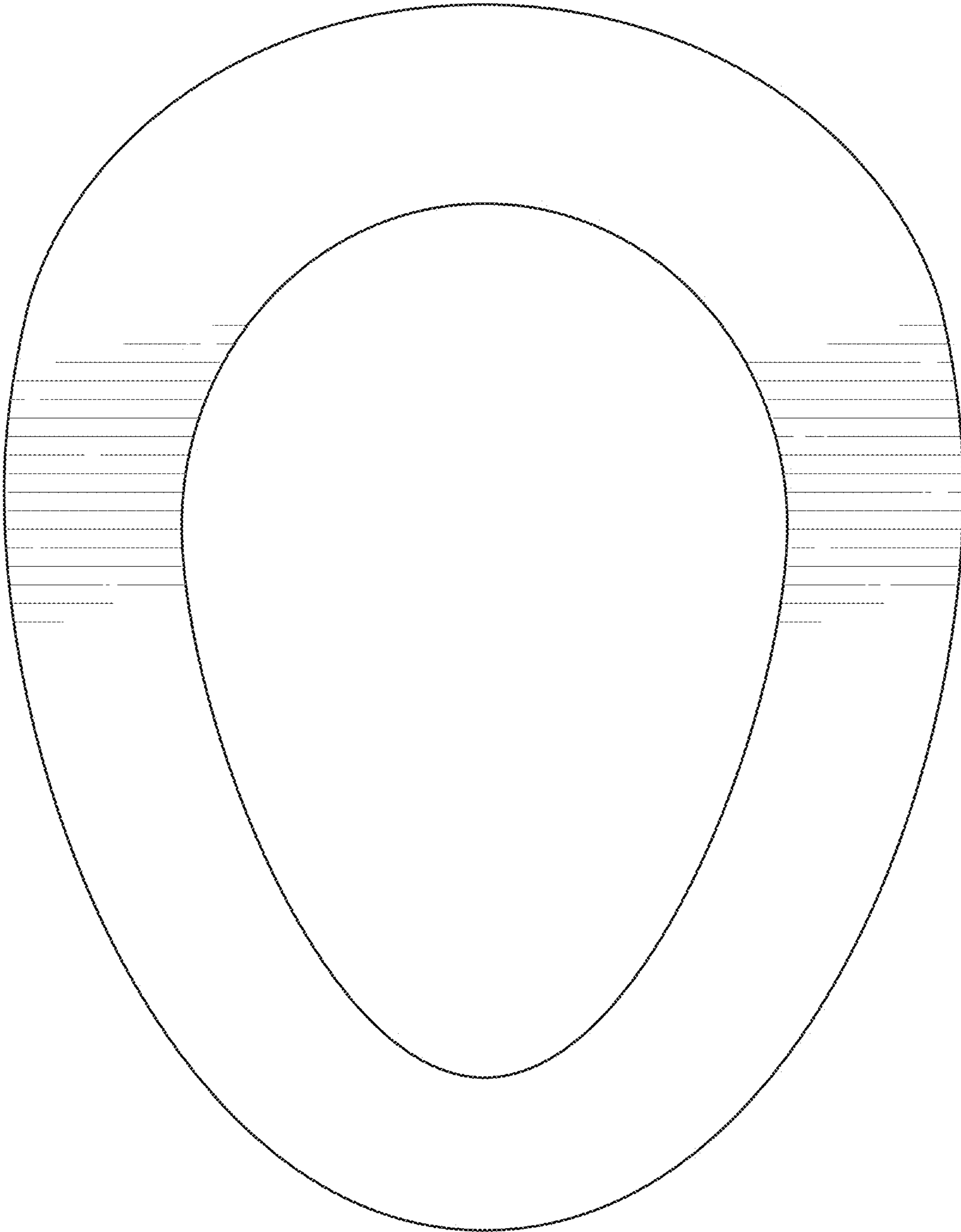


FIG. 9

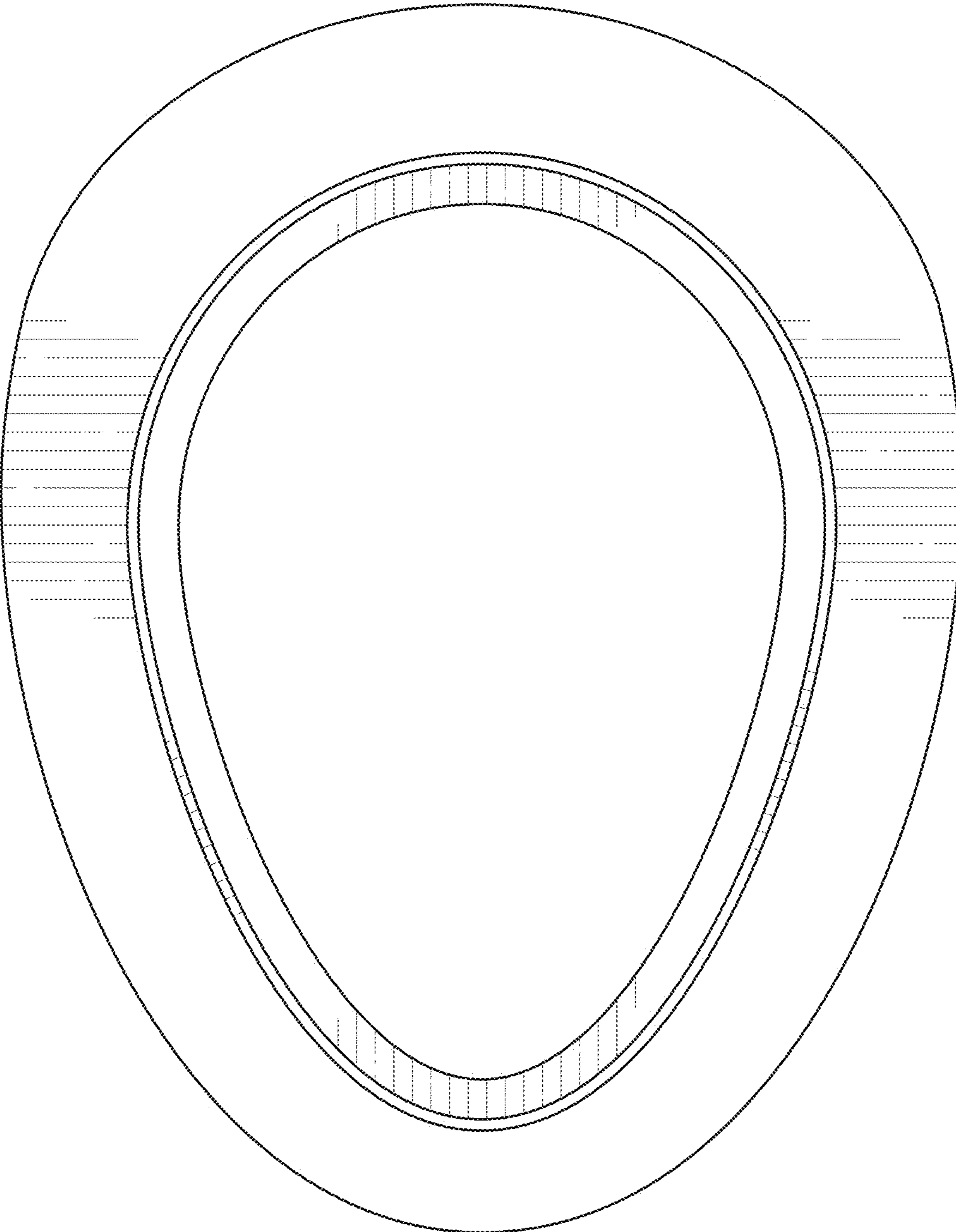


FIG. 10

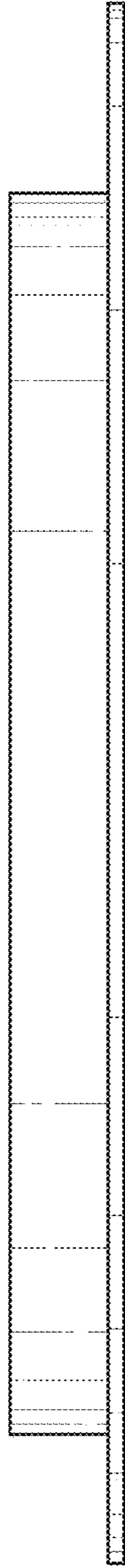


FIG. 11

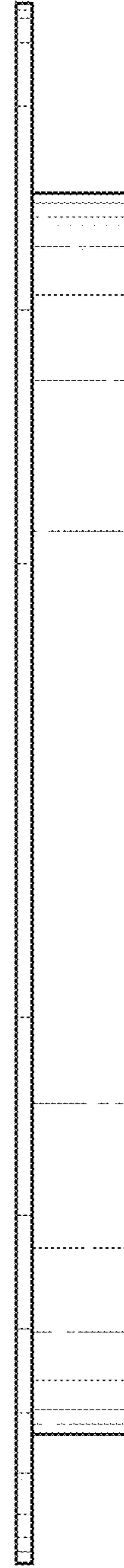


FIG. 12



FIG. 13



FIG. 14