



US00D886253S

(12) **United States Design Patent** (10) **Patent No.:** **US D886,253 S**
Brown et al. (45) **Date of Patent:** **** Jun. 2, 2020**

(54) **GASKET**

(71) Applicant: **Garlock Pipeline Technologies, Inc.**,
Wheat Ridge, CO (US)

(72) Inventors: **Ian Brown**, Wheat Ridge, CO (US);
Christopher Remley, Wheat Ridge, CO
(US); **Aaron Alfano**, Wheat Ridge, CO
(US)

(73) Assignee: **GARLOCK PIPELINE
TECHNOLOGIES, LLC**, Wheat
Ridge, CO (US)

(**) Term: **15 Years**

(21) Appl. No.: **29/640,610**

(22) Filed: **Mar. 15, 2018**

(51) **LOC (12) Cl.** **23-01**

(52) **U.S. Cl.**
USPC **D23/269**

(58) **Field of Classification Search**
USPC D23/259–260, 269, 262; 285/901,
285/42–50; 417/454; 277/314–316,
277/351–359, 361–364, 382, 392,
277/394–395, 504, 553, 549, 562–563,
277/572, 602–603, 605–607, 609,
277/616–617, 623, 641–644, 650–652,
277/608, 654

CPC .. E03C 1/30; E03C 1/222; E03C 1/286; F16L
55/07; F16L 55/1007; F16L 55/1015;
F16L 55/1108; F16L 55/1152; F16L 5/02;
F16L 5/10; F16L 17/025; F04B 53/16;
F04B 53/143; F16J 15/3268; F16J
15/106; F16J 15/061; F16J 15/3232; F16J
15/32; F16J 15/322; F16J 15/3236; F16J
15/025; F16J 15/3204; F16J 15/3224;
F16J 15/3252; F16J 15/3276; E04D
13/1406; E04D 13/1407; F16K 3/0227;
F16K 35/00; F16K 49/00; F16K 51/02;
E03B 7/12

See application file for complete search history.

(56) **References Cited**

U.S. PATENT DOCUMENTS

914,422 A * 3/1909 Jones F16J 15/104
277/651

4,019,371 A * 4/1977 Chaplin G01M 3/2861
73/46

5,316,320 A * 5/1994 Breaker F16L 23/18
277/611

5,461,904 A * 10/1995 Baker G01M 3/2853
277/320

5,564,715 A * 10/1996 Wallace F16J 15/127
277/612

6,019,621 A * 2/2000 Sugata H01R 35/025
439/15

7,513,925 B2 * 4/2009 Thomas B01D 27/10
210/443

7,976,074 B2 * 7/2011 Anderson F16L 23/18
285/110

D644,720 S * 9/2011 Bond D23/269

D644,721 S * 9/2011 Bond D23/269

D644,722 S * 9/2011 Bond D23/269

(Continued)

Primary Examiner — Amy C Wierenga

(74) *Attorney, Agent, or Firm* — Perkins Coie LLP

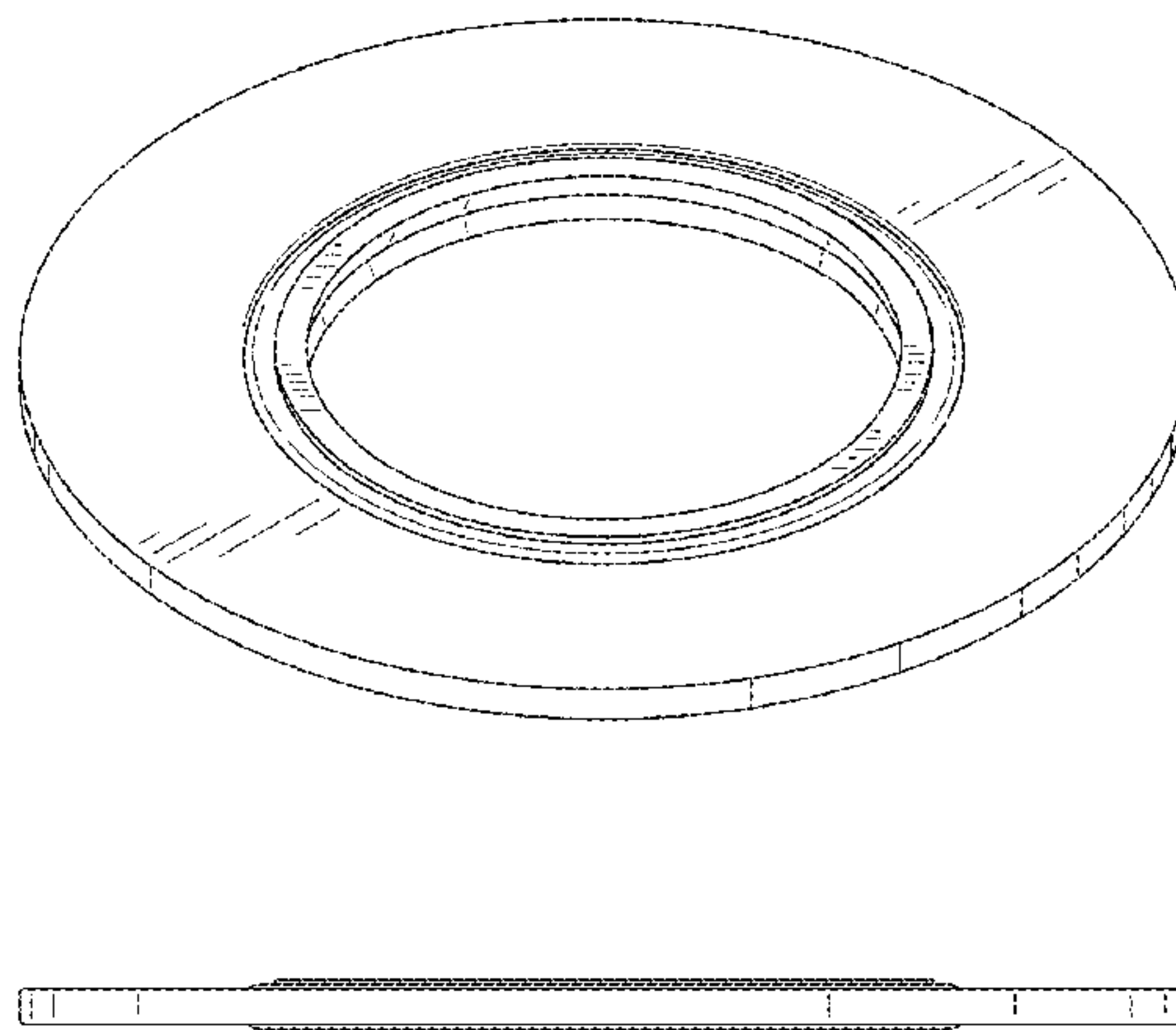
(57) **CLAIM**

The ornamental design for a gasket, as shown and described.

DESCRIPTION

FIG. 1 is a perspective view of the gasket of the present application;
 FIG. 2 is a top elevation view thereof;
 FIG. 3 is a bottom elevation view thereof;
 FIG. 4 is a right elevation view thereof;
 FIG. 5 is a left elevation view thereof;
 FIG. 6 is a front elevation view thereof; and,
 FIG. 7 is a back elevation view thereof.

1 Claim, 4 Drawing Sheets



(56)

References Cited

U.S. PATENT DOCUMENTS

8,601,668 B2 * 12/2013 Vidrine B25B 27/0028
277/609
8,678,398 B2 * 3/2014 Anderson F16L 23/18
277/608
D734,436 S * 7/2015 Raether D23/259
D753,736 S * 4/2016 Shinozaki D15/126
D755,941 S * 5/2016 Smith D23/269
D761,398 S * 7/2016 Murphy D23/269
2006/0220324 A1 * 10/2006 Anderson F16J 15/064
277/606
2008/0290605 A1 * 11/2008 Brockmeier A61B 17/3462
277/355
2011/0167607 A1 * 7/2011 Vidrine B25B 27/0028
29/428
2011/0266755 A1 * 11/2011 Anderson F16L 23/18
277/611
2013/0189037 A1 * 7/2013 Field B25B 27/0028
405/184.1
2016/0138718 A1 * 5/2016 Lee F16J 15/122
277/608
2017/0074437 A1 * 3/2017 Briggs F16L 23/003

* cited by examiner

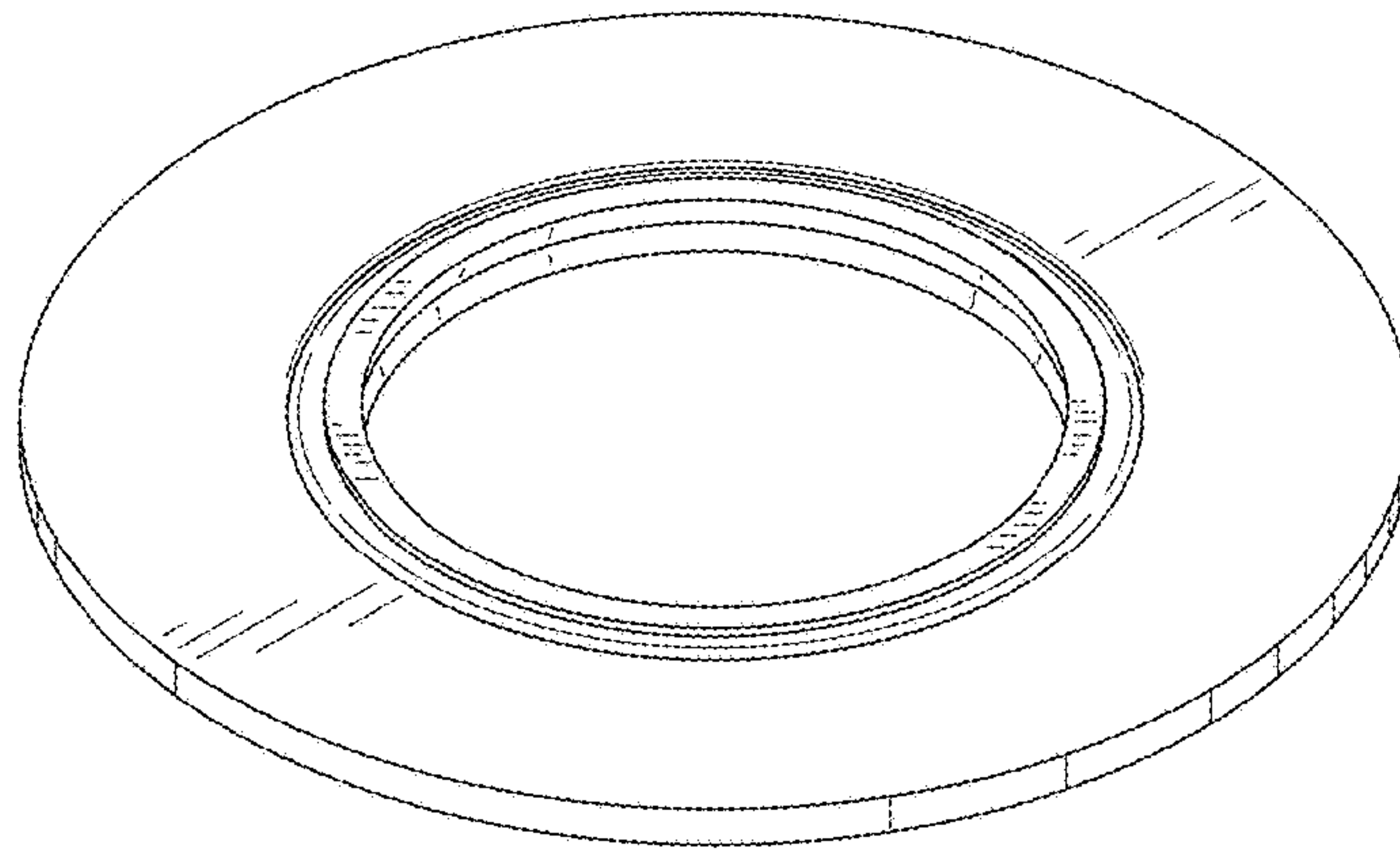


FIG.1

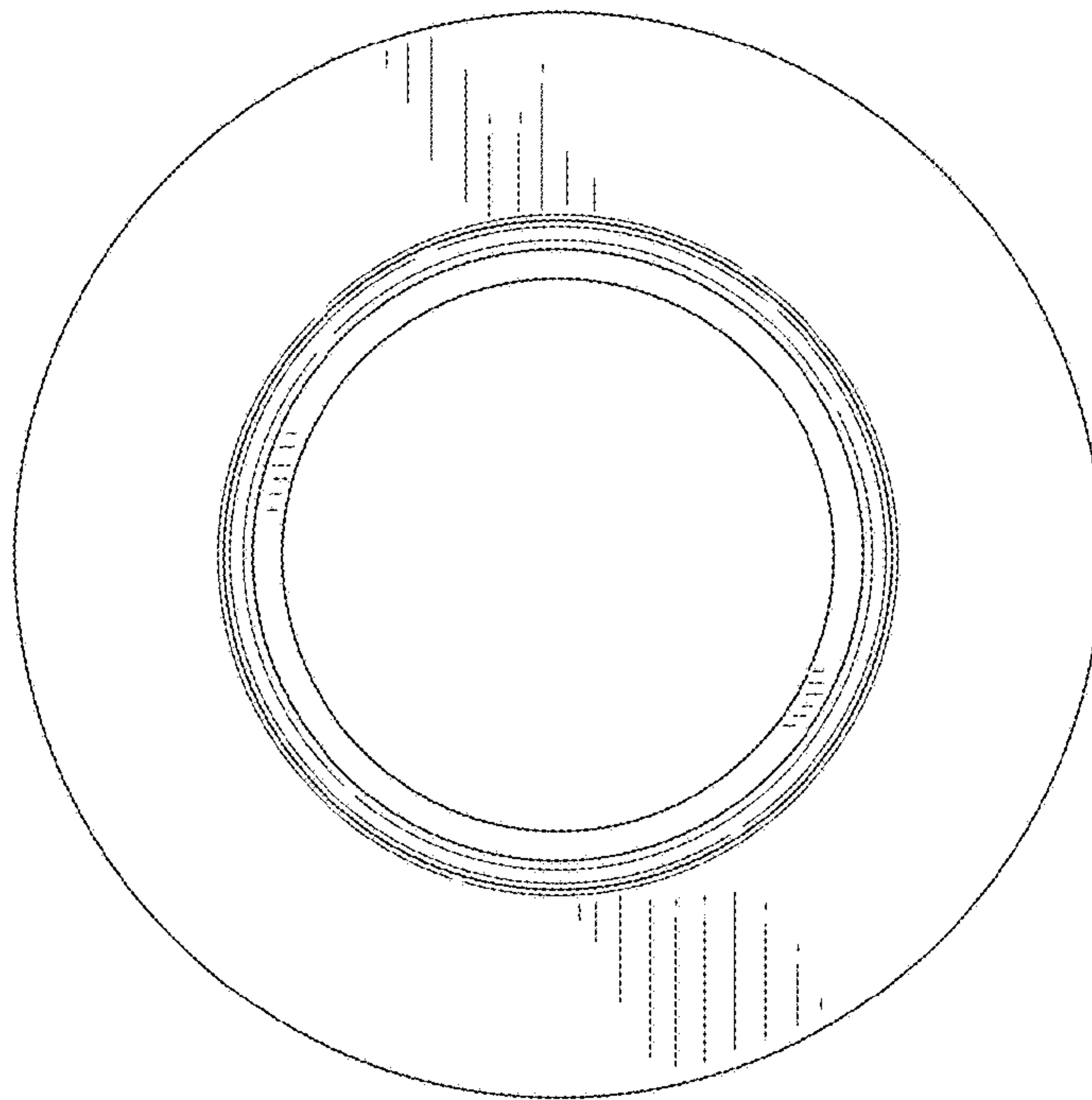


FIG.2

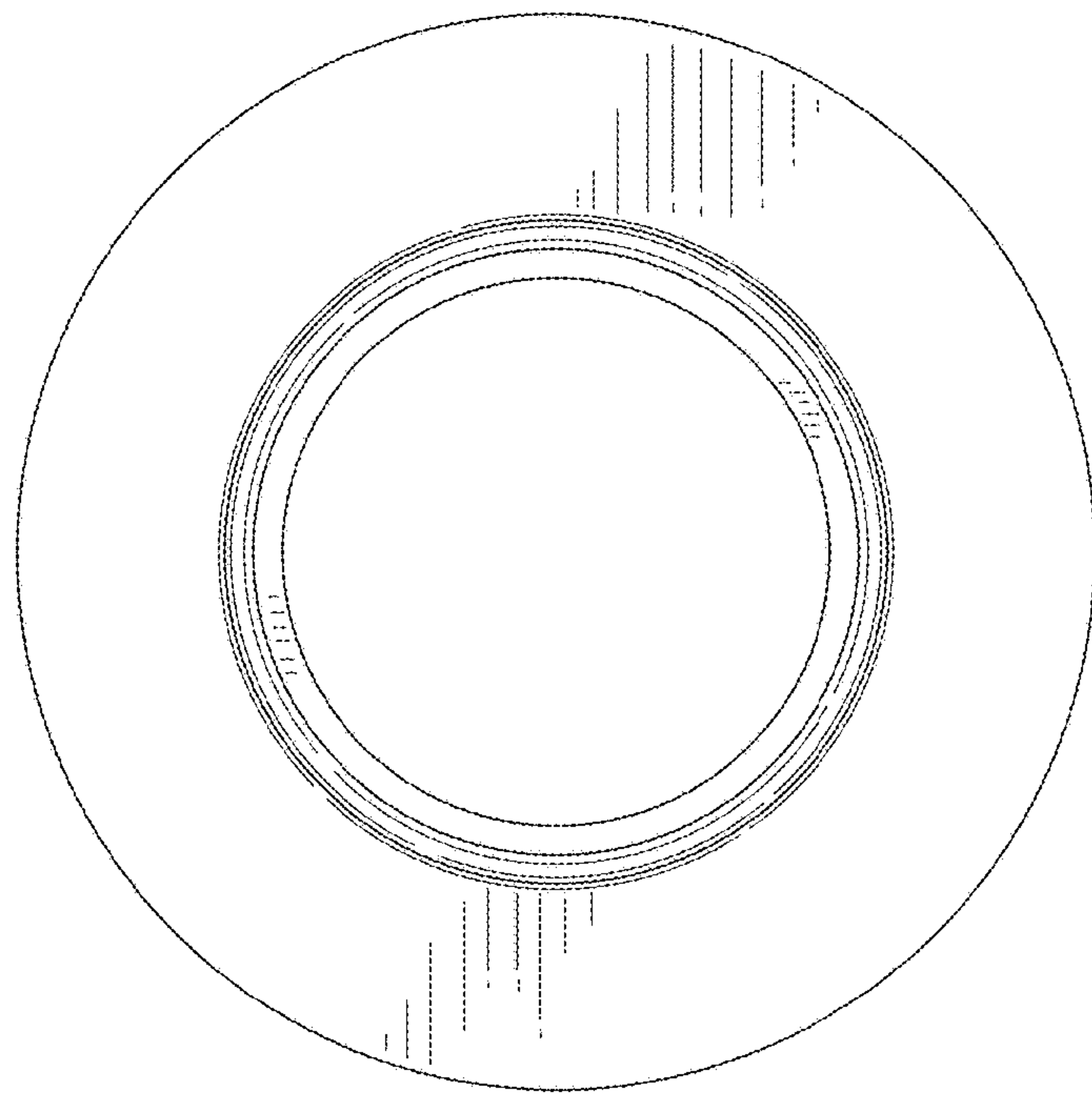


FIG.3



FIG. 4



FIG. 5



FIG. 6

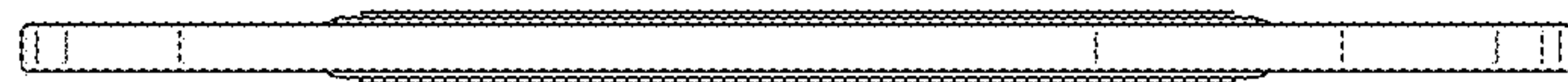


FIG. 7